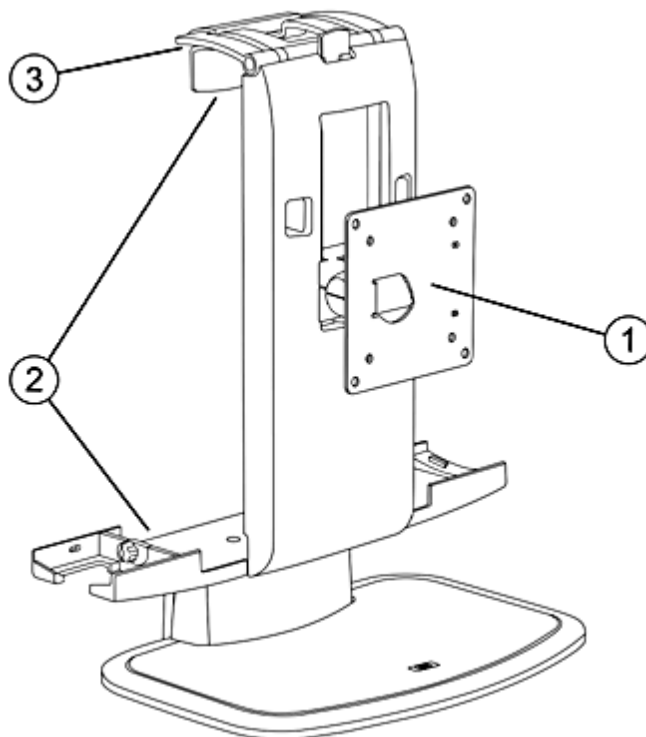


Overview



1. Industry-standard VESA mounting bracket accommodates most flat panel monitors
2. Ultra-slim Desktop (USDT) unit cleanly fits into cradle behind display; USDT unit is elevated above desk level
3. Handle swings up for easy carrying

Models

Part Number: DL641B

Introduction

For increased user productivity in space-constrained environments, HP recommends the HP Compaq 7000 Series Ultra-slim Desktop Integrated Work Center Stand. This product is optimized for use with select HP "Advantage" Series flat panel monitors (L1740 and L1940T) and allows you to mount any 15-, 17- or 19- inch flat panel monitor (that complies with the VESA standard mounting pattern) and an HP Compaq dc7600 or dc7700 Ultra-slim Desktop PC on a single stand for the convenience of an "all-in-one" form factor.

Overview

Key Features and Benefits

- Integrates your HP Compaq dc7600 or dc7700 Ultra-slim Desktop PC and HP flat panel monitor, allowing you to conveniently put the entire compact system configuration at your fingertips, saving valuable desktop space and making the most efficient use of space-constrained office environments
- Cable management solution keeps the PC and monitor cables together and hidden from view
- Industry-standard VESA mounting bracket accommodates most 15-, 17-, and 19-inch flat panel monitors
- Vertical height adjustment allows the monitor to be adjusted for maximum ergonomic comfort
- Entire unit swivels left to right with the touch of a finger which allows easy adjustability to accommodate multiple viewers
- Monitor mounting bracket rotates 90 degrees to accommodate viewing in portrait orientation
- Carrying handle simplifies PC and monitor transportation

Compatibility

The Integrated Work Center Stand is designed to exclusively accommodate the HP Compaq dc7600 or dc7700 Ultra-slim Desktop PC and is optimized for use with select HP "Advantage" Series flat panel monitors (L1740, and L1940T). It is compatible with HP flat panel monitors as shown below.

Monitor	Monitor Part Number(s)
L1506	PX848AA
L1706	PX849AA
L1906	PX850AA
L1740	PL766AA
L1940T	EM869AA
LP1965	Carbonite: RA373AA, Two-tone silver and carbonite: RA374AA

Service and Support

The Integrated Work Center Stand carries a one-year limited warranty. Technical support is available seven days a week, 24 hours a day, by phone, as well as online support forums. Certain restrictions and exclusions apply.

Technical Specifications

Mechanical	Tilt Range	-5° to + 25° vertical tilt	
	Swivel Range	-170° to + 170°	
	Height Adjustable	Yes, range: 80 mm	
	Pivot Rotation	Yes, 90° into portrait orientation	
	Dimensions (H x W x D)	Unpackaged	16.3 x 14.2 x 8.54 in (41.3 x 36.1 x 21.7 cm)
		Packaged	16.5 x 9.65 x 17.72 in (42.0 x 24.5 x 45.0 cm)
	Weight	Unpackaged	8.8 lb (4 kg)
Packaged		11.5 lb (5.2 kg)	
Other	Accessories Included	VGA cable, HP Compaq dc7600/dc7700 Ultra-slim Desktop cable cover	
	User Guide Languages	English, French, German, Spanish, Italian, Dutch, Brazilian Portuguese, Danish, Finnish, Greek, Japanese, Korean, Latin American Spanish, Norwegian, Polish, Russian, Slovenian, Turkish, Swedish, Traditional Chinese, and Simplified Chinese	
	Warranty Languages	English, German, French, Italian, Spanish, and Japanese	
	Color	Carbonite	
	VESA External Mounting	Yes (Standard 4-hole pattern, 75 mm and 100 mm)	
	Kensington Lock-Ready	Yes	
Option Kit Contents	Integrated Work Center Stand		
	Exclusive Integrated Work Center VGA video cable		
	HP Compaq dc7600/dc7700 Ultra-slim Desktop cable cover (rear cover)		

© Copyright 2006 Hewlett-Packard Development Company, L.P.

The information contained herein is subject to change without notice. The only warranties for HP products and services are set forth in the express warranty statements accompanying such products and services. Nothing herein should be construed as constituting an additional warranty. HP shall not be liable for technical or editorial errors or omissions contained herein.