



# Acer LCD Monitor Quick Start Guide (QSG)

## Important safety instructions

Please read the following instructions carefully.

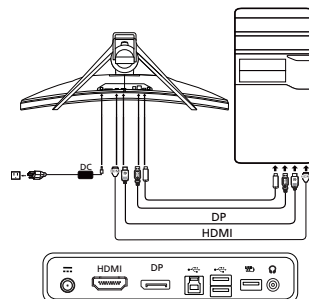
- To clean the LCD monitor screen: Be sure that your monitor is electrically rated to operate with the AC power available in your location.
  - Turn off the LCD monitor and unplug the power cord.
  - Spray a non-solvent cleaning solution onto a rag and clean the screen gently.
  - NEVER SPRAY OR POUR ANY LIQUID DIRECTLY ONTO THE SCREEN OR CASE.**
  - PLEASE DO NOT USE ANY AMMONIA OR ALCOHOL-BASED CLEANERS ON THE LCD DISPLAY SCREEN OR CASE.**
  - Acer will not be liable for damage resulting from use of any ammonia or alcohol-based cleaners.
- Do not place the LCD monitor near a window. Exposing the monitor to rain, moisture or sunlight can severely damage it.
- Do not apply pressure to the LCD screen. Excessive pressure may cause permanent damage to the display.
- Do not remove the cover or attempt to service this unit yourself. An authorized technician should perform servicing of any nature.
- Store the LCD monitor in a room with a temperature of -20° to 60° C (-4° to 140° F). Storing the LCD monitor outside this range may result in permanent damage.
- Immediately unplug your monitor and call an authorized technician if any of the following circumstances occur:
  - Monitor-to-PC signal cable is frayed or damaged.
  - Liquid spills onto the LCD monitor or the monitor is exposed to rain.
  - The LCD monitor or case is damaged.

## Attaching the monitor to the base

- Remove the monitor base from the packaging and place it on a stable and level workspace.
- Remove the monitor from the packaging.
- Attach the monitor stand arm to the base.
  - Ensure that the base is locked onto the monitor stand arm. (for selected models)
  - Secure the base to the monitor stand arm by turning the screw using the integrated tab or a suitable coin. (for selected models)

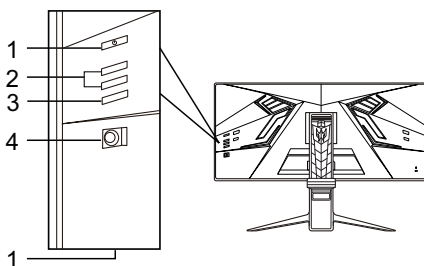
## Connecting Your Monitor to a Computer

- Turn off your monitor and unplug your computer's power cord.
- 2-1 Connect HDMI Cable
  - Make sure both the monitor and computer are powered-OFF.
  - Connect the HDMI cable to the computer.  
When using HDMI, you can press any button, excluding the Power button, to trigger the I/O port source.
- 2-2 Connect DP Cable (Default input)
  - Make sure both the monitor and computer are powered-OFF.
  - Connect the DP cable to the computer.
- Insert the monitor power cable into the power port at the back of the monitor.
- Plug the power cords of your computer and your monitor into a nearby electrical outlet.
- Select Power-off USB charge ON/OFF to enable/disable Power-off USB charge function.



## External Controls

No.	Item	Description
1	Power button/indicator	Turns the monitor on/off. Blue indicates power on. Amber indicates standby/power saving mode.
2	Hotkey 1, 2 buttons	Press to activate user defined hotkey function.
3	Input button	Press to toggle input sources.
4	Navi/OK button	Press to activate the OSD menu, then use it as a directional key to highlight the desired function. Press it again to enter a selection.



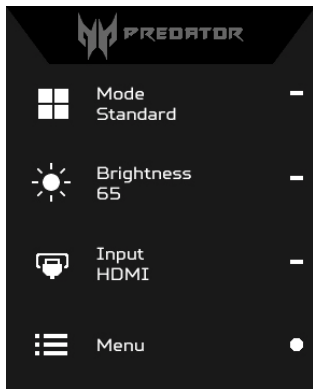
## Adjusting the OSD settings

**NOTE: The following content is for general reference only. Actual product specifications may vary.**

The OSD (on-screen display) can be used to adjust the settings of your LCD monitor. Press the MENU key to open the OSD. You can use the OSD to adjust the picture quality, OSD position and general settings. For advanced settings, please refer to the following pages:


### Main page

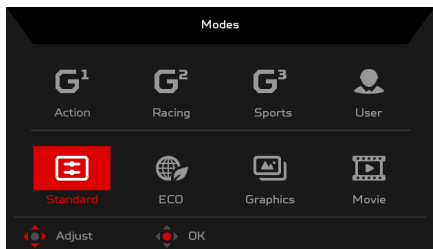
The default function for buttons 1 and 2 are Mode and Brightness. You can use the Hot Key Assignment function to set these buttons to your preferred functions.



1. Mode
2. Brightness
3. Input
4. Menu

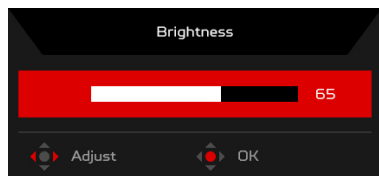
### Turning Modes on or off

From any function page, press  to open the Modes control and select which user-defined profile to use (please see the OSD section for more information).



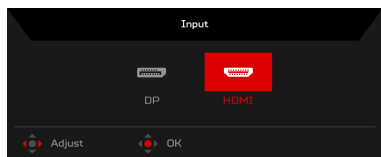
### Adjusting the Brightness

Open the Brightness control and select the brightness setting using the Navi/OK button. When you are done, press the Navi/OK button to go back one level.




## Selecting the input

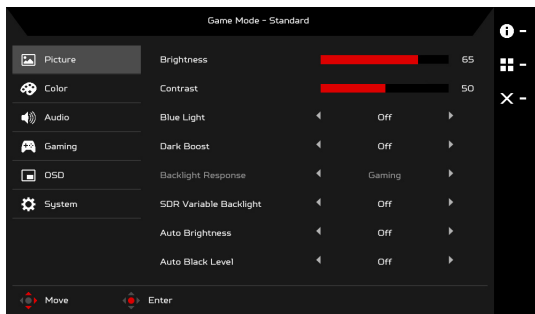
Open the Input control and select the desired input. When you are done, press the Navi/OK button to go back one level.




## The Function page

Open the Function page to select a menu function, and adjust the settings which you want using the Navi/OK button. When you are done, press the Navi/OK button or  to go back one level.

### Picture



1. Press the MENU key to open the OSD.
2. Using the Navi/OK button, select Picture from the OSD. Then navigate to the setting you wish to adjust.
3. Use the Navi/OK button to adjust the sliding scales.
4. Brightness: Adjust the brightness from 0 to 100.

 **NOTE: Adjusts the balance between light and dark shades.**

5. Contrast: Adjust the contrast from 0 to 100.

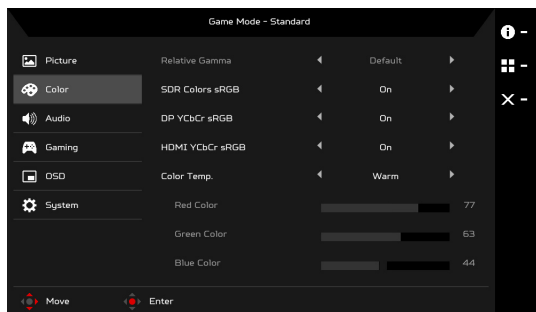
 **NOTE: Sets the degree of difference between light and dark areas.**

6. Blue Light: Filters out blue light to protect your eyes by adjusting how much blue light is shown -- 80%, 70%, 60%, or 50%.

 **NOTE: Higher values allow more blue light through. For the best protection select a lower value.**

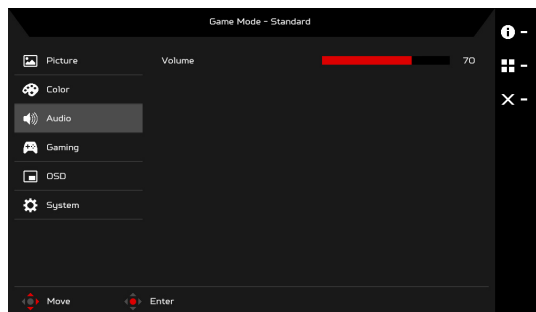
7. Dark boost: This boosts the amplitude of the dark color levels of the display-- blacks will be less black. The higher the level, the higher the boost.
8. Backlight Response: Basic response time of variable backlight.
9. SDR Variable Backlight: Turn SDR Variable Backlight On or Off.
10. Auto Brightness: Turn Auto Brightness On or Off. When turned On, the brightness is adjusted automatically.
11. Auto Black Level: Turn Auto Black Level On or Off. When turned On, the black level is adjusted automatically.

## Color



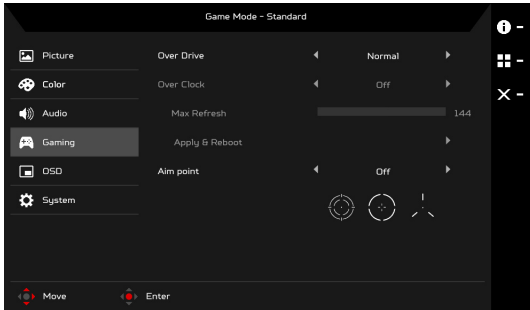
1. Press the MENU key to open the OSD.
2. Using the Navi/OK button, select Color from the OSD. Then navigate to the setting you wish to adjust.
3. Use the Navi/OK button to select the setting.
4. Relative Gamma mode allows you to adjust the luminance tone. The default value is 2.2 (standard value for Windows).
5. SDR Colors sRGB: Turn SDR Colors sRGB On or Off.
6. DP YCbCr sRGB: Turn DP YCbCr sRGB On or Off.
7. HDMI YCbCr sRGB: Turn HDMI YCbCr sRGB On or Off..
8. Color Temperature: Default is warm. You can choose Cool, Warm, Normal, Bluelight or User.

## Audio



1. Press the MENU key to open the OSD.
2. Using the Navi/OK button, select Audio from the OSD. Then navigate to the setting you wish to adjust.
3. Use the Navi/OK button to adjust any sliding scales.
4. Volume: Adjust the volume.

# Gaming



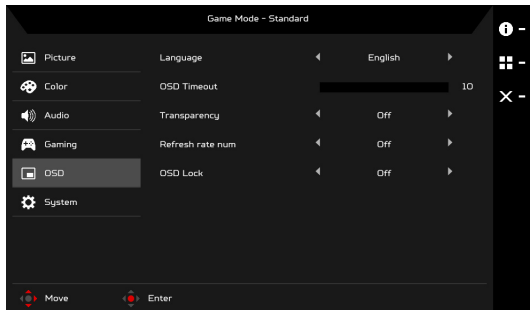
1. Press the MENU key to open the OSD.
2. Using the Navii/OK button, select Gaming from the OSD. Then navigate to the setting you wish to adjust.
3. Use the Navii/OK button to adjust any sliding scales.
4. Over Drive: Select Off, Normal, or Extreme.
5. Over Clock (selective models): The monitor can be over-clocked to a higher refresh rate than advertised by the panel specification.

\*This function allows you to reset the maximum refresh rate in the NVIDIA Control Panel after rebooting. If nothing is displayed, disconnect the DisplayPort cable and use the monitor's on-screen display to select a default refresh rate.

**IMPORTANT: Overclocking may result in flicker or other adverse effects that may derive from the total configuration of the system connected to the display, and possibly, in addition, the display's panel specifications. It may be possible to resolve or reduce such effects by setting a lower refresh rate.**

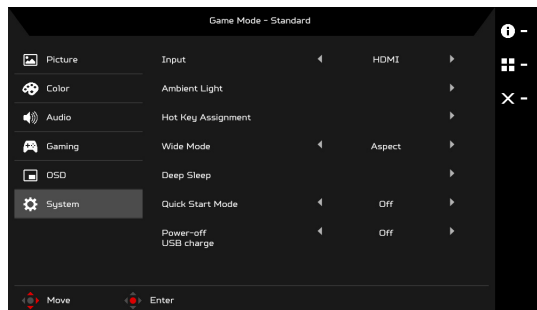
6. Aim point: Show an Aim point on the screen for shooting games.

## OSD



1. Press the MENU key to open the OSD.
2. Using the Navii/OK button, select OSD from the OSD. Then navigate to the setting you wish to adjust.
3. Use the Navii/OK button to adjust any sliding scales.
4. Language: Set the OSD menu language.
5. OSD timeout: Adjust the delay before turning off the OSD menu.
6. Transparency: Select the transparency when using gaming mode. The transparency can be 0% (OFF), 20%, 40%, 60%, or 80%.
7. Refresh rate num: Display the panel's current refresh rate on the screen.
8. OSD Lock: OSD Lock function is used to prevent OSD button from being pressed accidentally. To remove the OSD Lock message, press and hold the Navii/OK button continuously for 3 seconds until the message disappears. If the OSD Lock message remains, please check whether the Navii/OK button is stuck.

## System

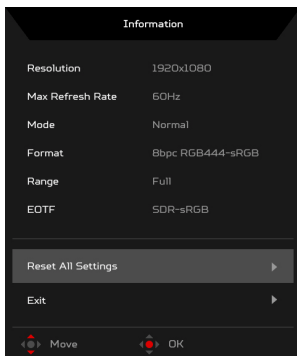


1. Press the MENU key to open the OSD.
2. Using the Navi/OK button, select System from the OSD. Then navigate to the setting you wish to adjust.
3. Use the Navi/OK button to select the setting.
4. Input: Select the source from an available input source
5. Ambient light: Adjust the lighting effects, color, and style.
6. Hot Key Assignment: Select the function of Hot Key 1 or Hot Key 2.
7. Wide Mode: You can select which screen aspect you are using. The options are Aspect and 1:1.
8. Deep Sleep: When Deep Sleep function is On, the monitor shuts down its core functions and goes into energy saving mode if the monitor is idle for a certain period of time, or if the user turns off the monitor DC power.

**NOTE:** Pressing any button (except the Power button) on the monitor may also wake up the monitor after it goes into deep sleep.

9. Quick Start Mode: Enable monitor rapidly.
10. Power-off USB charge: Turn On or Off.

## Product information



1. From any function page, press the **i** key to open the OSD.
2. Reset All Settings: Reset all settings to the factory defaults.

## Standard timing table

### HDMI

Mode		Resolution		Remark
1	VGA	640 x 480	60 Hz	
2	SVGA	800 x 600	60 Hz	
3	XGA	1024 x 768	60 Hz	
4	Wide QHD	3440 x 1440	60 Hz	
5	Wide QHD	3440 x 1440	100 Hz	

### DP

Mode		Resolution		Remark
1	VGA	640 x 480	60 Hz	
2	SVGA	800 x 600	60 Hz	
3	XGA	1024 x 768	60 Hz	
4	Wide QHD	3440 x 1440	60 Hz	
5	Wide QHD	3440 x 1440	100 Hz	
6	Wide QHD	3440 x 1440	120 Hz	
7	Wide QHD	3440 x 1440	144 Hz	
8	Wide QHD	3440 x 1440	180 Hz	
9	Wide QHD	3440 x 1440	200 Hz	

## G-SYNC Experience

For the following resolution:

3440 x 1440@60 Hz (DP only)

3440 x 1440@100 Hz (DP only)

3440 x 1440@120 Hz (DP only)

3440 x 1440@144 Hz (DP only)

3440 x 1440@180 Hz (DP only)

For the following resolution with Over Clock function (DP only):

3440 x 1440@200 Hz

G-SYNC HDR features (only for DisplayPort input) require an NVIDIA GeForce GTX1050 GPU or higher, such as GTX1070, GTX1080, and GTX1080Ti.

For more information, please visit the NVIDIA® Website: <http://www.nvidia.com/>



**NOTE:** This monitor does not support 4K HDR content on game consoles and DVD players.



**NOTE:** NVIDIA Graphic card is recommended for the best G-SYNC HDR performance.



## Regulations and safety notices

### FCC notice

This device has been tested and found to comply with the limits for a Class B digital device pursuant to Part 15 of the FCC rules. These limits are designed to provide reasonable protection against harmful interference in a residential installation. This device generates, uses, and can radiate radio frequency energy and, if not installed and used in accordance with the instructions, may cause harmful interference to radio communications.

However, there is no guarantee that interference will not occur in a particular installation. If this device does cause harmful interference to radio or television reception, which can be determined by turning the device off and on, the user is encouraged to try to correct the interference by one or more of the following measures:

- Reorient or relocate the receiving antenna.
- Increase the separation between the device and receiver.
- Connect the device into an outlet on a circuit different from that to which the receiver is connected.
- Consult the dealer or an experienced radio/television technician for help.

### CE declaration of Conformity

Hereby, Acer Inc., declares that this LCD monitor is in compliance with the essential requirements and other relevant provisions of EMC Directive 2014/30/EU, Low Voltage Directive 2014/35/EU, and RoHS Directive 2011/65/EU and Directive 2009/125/EC with regard to establishing a framework for the setting of ecodesign requirements for energy-related product.

### Notice:

In order to prevent damage to the monitor, do not lift the monitor by its base.

### Notice: Shielded cables

All connections to other computing devices must be made using shielded cables to maintain compliance with EMC regulations.

### Notice:

Acer monitor is purposed for video and visual display of information obtained from electronic devices.

### Notice: Peripheral devices

Only peripherals (input/output devices, terminals, printers, etc.) certified to comply with the Class B limits may be attached to this equipment. Operation with non-certified peripherals is likely to result in interference to radio and TV reception.

### Caution

Changes or modifications not expressly approved by the manufacturer could void the user authority, which is granted by the Federal Communications Commission, to operate this product.

### Operation conditions

This device complies with Part 15 of the FCC Rules. Operation is subject to the following two conditions: (1) this device may not cause harmful interference, and (2) this device must accept any interference received, including interference that may cause undesired operation.

### Notice: Canadian users

This Class B digital apparatus complies with Canadian ICES-003.

### Remarque à l'intention des utilisateurs canadiens


Cet appareil numérique de la classe B est conforme à la norme NMB-003 du Canada.

### Disposal of Waste Equipment by Users in Private Household in the European Union



This symbol on the product or on its packaging indicates that this product must not be disposed of with your other household waste. Instead, it is your responsibility to dispose of your waste equipment by handing it over to a designated collection point for the recycling of waste electrical and electronic equipment. The separate collection and recycling of your waste equipment at the time of disposal will help to conserve natural resources and ensure that it is recycled in a manner that protects human health and the environment. For more information about where you can drop off your waste equipment for recycling, please contact your local city office, your household waste disposal service or the shop where you purchased the product.

# SPECIFICATION

LCD Panel	Driving System	TFT Color LCD	
	Size	35"W (88.9 cm)	
	Pixel Pitch	0.24 mm (H) x 0.24 mm (V)	
	Brightness	Native: 600 cd/m <sup>2</sup> ; HDR mode: 1000 cd/m <sup>2</sup> (peak)	
	Contrast	2500:1	
	Viewable Angle	178° (H) 178° (V) (CR=10)	
	Response Time	2 ms (GTG)	
	Panel Type	VA	
	H-Frequency	HDMI: 30-150 KHz DP: 88-282 KHz	
V-Frequency	HDMI: 24-100 Hz DP: 24-180 Hz		
Display Colors	16.7 Million		
Dot Clock	HDMI 2.0: 543.5 MHz DP 1.4: 1017 MHz DP 1.4: 1056 MHz (DP-over clock function = ON)		
Maximum Resolution	HDMI: 3440 x 1440 @ 100 Hz DP: 3440 x 1440 @ 180 Hz DP: 3440 x 1440 @ 200 Hz (Overclocking mode for G-Sync only)		
Plug & Play	VESA DDCCI/DDC2B		
Energy Efficiency Class	D		
*Annual Energy Consumption	145 (kWh) (for HDMI-input Model)		
Power Consumption (at 200 nits)	On Mode	64.1 W (Typical)	
	Sleep Mode	0.50 W (Typical)	
	Off Mode	0.50 W (Typical)	
Input Connector	HDMI DP		
Input Video Signal	HDMI signal DP		
Speakers	4 W x 2		
USB	USB 3.0 x 3		
Maximum Screen Size	Horizontal: 819.408 mm Vertical: 345.888 mm		
Power Source	20V  14A		
Environmental Considerations	Operating Temp: 0° to 40°C Storage Temp: -20° to 60°C Operating Humidity: 20% to 80%		
Dimensions	833 (W) x 450.5 ~ 580.5 (H) x 309 (D) mm		
Weight (N. W.)	13.39 kg (net)		
Mechanism Specifications	Tilt: -5° to +25° (Only at the highest point can 25 degrees of recline be offered for the angle of elevation) Swivel: -30° to +30° Height adjustment: 0 mm to 130 mm Pivot: No Detachable foot stand: Yes		
External Controls	Switch/Buttons	Power Button Hotkey 1 Hotkey 2	Input 5 Navi Key
	Functions	Brightness Contrast Blue Light Dark Boost Backlight Response SDR Variable Backlight Auto Brightness Auto Black Level Relative Gamma SDR Colors sRGB DP YCbCr sRGB HDMI YCbCr sRGB Color Temperature Volume Over Drive Over Clock	Aim point Language OSD Timeout Transparency Refresh rate num OSD Lock Input Ambient Light Hot Key Assignment Wide Mode Deep Sleep Quick Start Mode Power-off USB charge Display Information Reset All Settings Exit
All specifications are subject to change without notice.			

Find manuals and other documents for your Acer product on the official Acer support website.

\*Annual energy consumption is calculated using the typical power consumption 4 hours per day, 365 days per year.

# Panduan Praktis Monitor LCD Acer (QSG)

## Petunjuk penting untuk keselamatan

Baca petunjuk berikut ini dengan saksama.

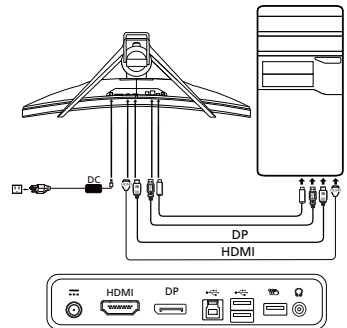
1. Untuk membersihkan layar monitor LCD: Pastikan monitor Anda memiliki daya kelistrikan yang sesuai untuk beroperasi dengan daya AC yang ada di lokasi Anda.
  - Matikan monitor LCD dan cabut kabel daya.
  - Semprotkan bahan pembersih yang tidak mudah larut ke kain lap dan bersihkan layar secara perlahan.
  - **JANGAN LANGSUNG SEMBURKAN ATAU TUMPAHKAN CAIRAN APA PUN KE LAYAR ATAU TABUNGNYA.**
  - **HARAP JANGAN GUNAKAN PEMBERSIH BERBASIS AMONIA ATAU ALKOHOL APA PUN PADA LAYAR TAMPILAN LCD ATAU TABUNGNYA.**
  - Acer tidak akan bertanggung jawab terhadap kerusakan yang dihasilkan karena menggunakan pembersih berbasis amonia atau alkohol apa pun.
2. Jangan meletakkan monitor LCD di dekat jendela. Monitor yang terkena hujan, kelembapan, atau sinar matahari dapat mengalami kerusakan fatal.
3. Jangan menekan layar LCD. Menekan terlalu kuat dapat menyebabkan kerusakan permanen pada layar.
4. Jangan melepas penutup atau mencoba memperbaiki unit ini sendiri. Setiap perbaikan harus dilakukan oleh teknisi resmi.
5. Simpan monitor LCD di ruangan dengan suhu antara -20° s/d 60° C (-4° s/d 140° F). Menyimpan monitor LCD di luar rentang suhu ini dapat menyebabkan kerusakan permanen.
6. Segera cabut monitor dan hubungi teknisi resmi bila terjadi situasi berikut ini:
  - Kabel sinyal dari monitor ke PC terkoyak atau rusak.
  - Cairan tumpah di monitor LCD atau monitor terkena hujan.
  - Monitor LCD atau tabungnya rusak.

## Memasang monitor ke dudukan

1. Keluarkan dudukan monitor dari kemasannya dan letakkan di atas area kerja yang stabil dan rata.
2. Keluarkan monitor dari kemasannya.
3. Pasang lengan penyangga monitor ke dudukan.
  - Pastikan dudukan terkunci pada lengan penyangga monitor. (untuk model tertentu)
  - Kencangkan dudukan pada lengan penyangga monitor dengan memutar sekrup menggunakan tab yang tersedia atau koin yang sesuai. (untuk model tertentu)

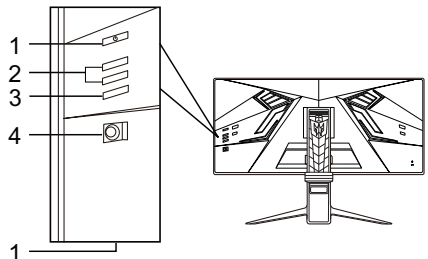
## Hubungkan Monitor ke Komputer

1. Matikan monitor dan cabut kabel daya komputer.
2. 2-1 Hubungkan Kabel HDMI
  - a. Pastikan daya pada monitor dan komputer sudah dimatikan.
  - b. Hubungkan kabel HDMI ke komputer.
 Ketika menggunakan HDMI, gunakan tombol apa saja, kecuali tombol Daya, untuk mengaktifkan sumber port I/O.
- 2-2 Hubungkan Kabel DP (Input default)
  - a. Pastikan daya pada monitor dan komputer sudah dimatikan.
  - b. Hubungkan kabel DP ke komputer.
3. Colokkan kabel daya monitor ke port daya di bagian belakang monitor.
4. Colokkan kabel daya komputer dan monitor Anda ke stopkontak listrik yang terdekat.
5. Pilih ON/OFF Matikan daya USB untuk mengaktifkan/menonaktifkan fungsi Matikan daya USB.



## Kontrol Eksternal

No.	Item	Deskripsi
1	Tombol daya/ indikator	Menghidupkan dan mematikan monitor. Biru berarti menyala. Kuning berarti siaga/mode hemat daya.
2	Hotkey 1, 2 tombol	Tekan untuk mengaktifkan fungsi hotkey yang ditentukan pengguna.
3	Tombol Input	Tekan untuk beralih sumber input.
4	Tombol Navi/ OK	Tekan untuk mengaktifkan menu OSD, lalu gunakan sebagai tombol panah untuk menyorot fungsi yang diinginkan. Tekan lagi untuk memilih.



## Pemberitahuan Peraturan dan keselamatan

### Pemberitahuan FCC

Perangkat ini telah diuji dan memenuhi batasan perangkat digital Kelas B sesuai dengan Pasal 15 dalam peraturan FCC. Batasan ini dirancang untuk memberi perlindungan yang memadai dari interferensi berbahaya pada pemasangan di perumahan. Perangkat ini menghasilkan, menggunakan, dan memancarkan energi frekuensi radio, dan jika tidak dipasang dan digunakan sesuai dengan petunjuk, dapat menimbulkan interferensi berbahaya pada komunikasi radio.

Akan tetapi, tidak ada jaminan bahwa interferensi tidak akan terjadi pada pemasangan tertentu. Jika perangkat ini menimbulkan interferensi yang berbahaya terhadap penerimaan radio atau televisi, yang dapat ditentukan dengan cara mematikan dan menghidupkan perangkat, pengguna dianjurkan untuk mencoba mengatasi interferensi dengan satu atau beberapa tindakan berikut:

- Mengubah arah atau memindahkan lokasi antena penerima.
- Menambah jarak pemisahan antara perangkat dan penerima.
- Menghubungkan perangkat ke stopkontak yang berbeda dari stopkontak untuk penerima.
- Meminta bantuan dari dealer atau teknisi radio/televisi yang berpengalaman.

### Pernyataan Kesesuaian CE

Dengan ini, Acer Inc., menyatakan bahwa monitor LCD ini memenuhi ketentuan yang diperlukan dan persyaratan yang relevan lainnya dalam EMC Directive 2014/30/EU, Low Voltage Directive 2014/35/EU, dan RoHS Directive 2011/65/EU, dan Directive 2009/125/EC terkait dengan pelaksanaan kerangka kerja untuk menetapkan persyaratan ecodesign untuk produk yang terkait dengan energi.

### Perhatian:

Untuk mencegah kerusakan pada monitor, jangan mengangkat monitor pada dasarnya.

### Perhatian: Kabel berpelindung

Semua sambungan ke perangkat komputasi lain harus menggunakan kabel berpelindung untuk mematuhi peraturan EMC.

### Perhatian: Perangkat periferai

Hanya perangkat periferai (perangkat input/output, terminal, printer, dsb) bersertifikasi yang memenuhi batasan Kelas B yang boleh dipasang pada peralatan ini. Pengoperasian dengan perangkat periferai yang tidak bersertifikasi mungkin dapat menimbulkan interferensi pada penerimaan radio dan televisi.

### Perhatian

Mengubah atau memodifikasi yang secara tegas dilarang oleh pabrikian dapat menimbulkan izin pengguna yang dijamin oleh Federal Communications Commission untuk pengoperasian produk ini menjadi tidak berlaku.

### Kondisi pengoperasian

Perangkat ini telah sesuai dengan Pasal 15 dalam Peraturan FCC. Pengoperasian harus mematuhi ketentuan berikut: (1) perangkat ini tidak boleh menimbulkan interferensi yang berbahaya, dan (2) perangkat ini harus menerima interferensi yang dapat diterima, termasuk interferensi yang menimbulkan operasi yang tidak diinginkan.

### Perhatian: Pengguna di Kanada

Peralatan digital Kelas B ini telah mematuhi ICES-003 Kanada.

### Remarque à l'intention des utilisateurs canadiens

Cet appareil numérique de la classe B est conforme à la norme NMB-003 du Canada.

### Pembuangan Limbah Peralatan oleh Pengguna di Tempat Pembuangan Sampah Pribadi di Uni Eropa



Simbol ini, yang tertera di produk atau di kemasannya, menunjukkan bahwa produk ini tidak boleh dibuang bersama limbah rumah tangga lainnya. Anda bertanggung jawab untuk membuang limbah peralatan Anda dengan menyerahkannya ke pusat pengumpulan yang ditunjuk untuk mendaur ulang limbah peralatan listrik dan elektronik. Pengumpulan secara terpisah dan daur ulang limbah peralatan pada saat pembuangan turut membantu menjaga kelestarian sumber daya alam dan memastikan limbah tersebut didaur-ulang dengan cara yang melindungi kesehatan manusia dan lingkungan. Untuk informasi selengkapnya tentang tempat penyerahan untuk daur ulang, silakan menghubungi kantor setempat di kota Anda, layanan pembuangan limbah rumah tangga, atau toko tempat Anda membeli produk.

## SPESIFIKASI

Panel LCD	Sistem Penggerak	LCD Berwarna TFT	
	Ukuran	35"W (88,9 cm)	
	Tingkat Piksel	0,24 mm (H) x 0,24 mm (V)	
	Kecerahan	Asli: 600 cd/m <sup>2</sup> ; HDR mode: 1000 cd/m <sup>2</sup> (puncak)	
	Kontras	2500:1	
	Sudut yang dapat dilihat	178° (H) 178° (V) (CR=10)	
	Waktu Respons	2 ms (GTG)	
	Tipe Panel	VA	
	Frekuensi H	HDMI: 30-150 KHz DP: 88-282 KHz	
Frekuensi V	HDMI: 24-100 Hz DP: 24-180 Hz		
Warna Layar	16,7 Juta		
Dot Clock	HDMI 2.0: 543,5 MHz DP 1.4: 1017 MHz DP 1.4: 1056 MHz (fungsi over clock DP = ON)		
Resolusi Maksimum	HDMI: 3440 x 1440 @ 100 Hz DP: 3440 x 1440 @ 180 Hz DP: 3440 x 1440 @ 200 Hz (Mode Overclock hanya untuk G-Sync)		
Plug & Play	VESA DDCI/DDC2B		
Kelas Efisiensi Energi	D		
*Konsumsi Energi Tahunan	145 (kWh) (untuk Model input HDMI)		
Konsumsi Daya (pada 200 nits)	Mode On	64,1 W (Tipikal)	
	Mode Tidur	0,50 W (Tipikal)	
	Mode Off	0,50 W (Tipikal)	
Konektor Input	HDMI DP		
Sinyal Video Input	Sinyal HDMI DP		
Speaker	4 W x 2		
USB	USB 3.0 x 3		
Ukuran Layar Maksimum	Horizontal: 819,408 mm Vertikal: 345,888 mm		
Sumber Daya	20V ---- 14A		
Pertimbangan Lingkungan	Suhu Pengoperasian: 0° s/d 40°C Suhu Penyimpanan: -20° s/d 60°C Kelembapan pengoperasian: 20% s/d 80%		
Dimensi	833 (P) x 450,5 – 580,5 (L) x 309 (T) mm		
Berat (N. W.)	13,39 kg (net)		
Spesifikasi Mekanis	Kemiringan: -5° s/d +25° (Hanya pada titik tertinggi sudut kemiringan dapat dimiringkan 25 derajat) Pemutaran: -30° s/d +30° Penyesuaian ketinggian: 0 mm s/d 130 mm Pivot: Tidak Kaki penyangga lepas-pasang: Ya		
Kontrol Eksternal	Tombol	Tombol Daya Hotkey 1 Hotkey 2	Input 5 Tombol Navi
	Fungsi	Kecerahan Kontras Cahaya Biru Dark Boost Respons Lampu Latar SDR Variable Backlight Kecerahan Otomatis Tingkat Hitam Otomatis Gamma Relatif SDR Colors sRGB DP YCbCr sRGB HDMI YCbCr sRGB Suhu Warna Volume Pada Penggerak Over Clock	Maksud poin Bahasa Waktu Mati OSD Transparansi Laju penyesgaran Kunci OSD Input Cahaya sekitar Penetapan Tombol Pintasan Mode Lebar Tidur Lelap Mode Mulai Cepat Matikan daya pengisian USB Informasi Display Reset Semua Pengaturan Keluar
Semua spesifikasi dapat berubah sewaktu-waktu tanpa pemberitahuan.			

Temukan manual dan dokumen lainnya untuk produk Acer di situs web dukungan Acer resmi.

\*Konsumsi energi tahunan dihitung menggunakan konsumsi daya umum 4 jam per hari, 365 hari per tahun.

# Acer-LCD-Monitor – Kurzanleitung (QSG)

## Wichtige Sicherheitshinweise

Bitte lesen Sie die folgenden Hinweise sorgfältig durch.

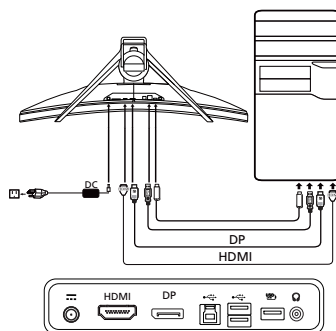
- Reinigen des LCD-Bildschirms: Stellen Sie sicher, dass der Monitor mit der in Ihrer Region verfügbaren Netzspannung betrieben werden kann.
  - Schalten Sie den LCD-Monitor aus und ziehen Sie das Netzkabel ab.
  - Sprühen Sie ein lösungsmittelfreies Reinigungsmittel auf ein Tuch und reinigen Sie den Bildschirm vorsichtig.
  - NIEMALS FLÜSSIGKEITEN DIREKT AUF DEN MONITOR ODER DAS GEHÄUSE SPRÜHEN ODER AUSSCHÜTTEN.**
  - BITTE KEINE AUF AMMONIAK ODER ALKOHOL BASIERENDEN REINIGUNGSMITTEL AUF DEM LCD-BILDSCHIRM ODER GEHÄUSE VERWENDEN.**
  - Acer haftet nicht für Schäden durch die Anwendung von Reinigungsmitteln, die auf Ammoniak oder Alkohol basieren.
- Stellen Sie den LCD-Monitor nicht an einem Fenster auf. Wenn der Monitor Regen, Feuchtigkeit oder Sonneneinstrahlung ausgesetzt ist, kann er schwer beschädigt werden.
- Üben Sie keinen Druck auf den LCD-Bildschirm aus. Zu starker Druck kann zu bleibenden Schäden am Bildschirm führen.
- Entfernen Sie die Abdeckung nicht und versuchen Sie nicht, das Gerät selbst zu warten. Nur ein autorisierter Techniker sollte eine Wartung durchführen.
- Bewahren Sie den LCD-Monitor in einem Raum mit einer Temperatur zwischen -20 °C und 60 °C auf. Wenn der LCD-Monitor außerhalb dieses Temperaturbereichs aufbewahrt wird, kann dies zu dauerhaften Schäden führen.
- Ziehen Sie sofort den Netzstecker des Monitors und rufen Sie einen autorisierten Techniker, wenn eine der folgenden Situationen eintritt:
  - Das Monitor-zu-PC-Signalkabel ist durchgescheuert oder beschädigt.
  - Es wurde Flüssigkeit auf dem LCD-Monitor verschüttet oder der Monitor war Regen ausgesetzt.
  - Der LCD-Monitor oder das Gehäuse ist beschädigt.

## Anbringen des Monitors am Sockel

- Nehmen Sie den Monitorsockel aus der Verpackung und legen Sie ihn auf eine stabile und ebene Arbeitsfläche.
- Nehmen Sie den Monitor aus der Verpackung.
- Bringen Sie den Träger des Standfußes des Monitors am Sockel an.
  - Stellen Sie sicher, dass der Sockel sicher am Träger des Standfußes befestigt ist. (bei ausgewählten Modellen)
  - Befestigen Sie den Sockel am Träger des Standfußes, indem Sie die Schraube mithilfe eines Werkzeugs oder einer passenden Münze drehen. (bei ausgewählten Modellen)

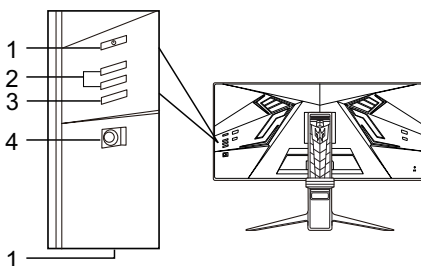
## Anschließen des Monitors an einen Computer

- Schalten Sie den Monitor aus und ziehen Sie das Netzkabel des Computers ab.
- 2-1 Schließen Sie das HDMI-Kabel an.
  - Stellen Sie sicher, dass sowohl der Monitor als auch der Computer ausgeschaltet sind.
  - Schließen Sie das HDMI-Kabel an den Computer an. Bei der Verwendung von HDMI können Sie eine beliebige Taste drücken, außer der Ein-/Aus-Taste zum Starten der I/O-Anschlussquelle
- 2-2 Schließen Sie das DP-Kabel an (Standard-Eingang).
  - Stellen Sie sicher, dass sowohl der Monitor als auch der Computer ausgeschaltet sind.
  - Schließen Sie das DP-Kabel an den Computer an.
- Schließen Sie das Netzkabel des Monitors an den Stromanschluss auf der Rückseite des Monitors an.
- Stecken Sie die Netzkabel von Computer und Monitor in eine in der Nähe gelegene Steckdose.
- Wählen Sie „Abschalt-USB-Ladefunktion EIN/AUS“, um das Aufladen über USB bei ausgeschaltetem Gerät zu aktivieren/deaktivieren.



## Externe Bedienelemente

Nummer	Funktion	Beschreibung
1	Ein-/Aus-Taste/ Betriebsanzeige	Ein/Aus des Monitors. Blau zeigt Betrieb an. Gelb zeigt Standby-/Energiesparmodus an.
2	Hotkey 1, 2 Tasten	Zum Aktivieren der benutzerdefinierten Hotkey-Funktion drücken
3	Eingangstaste	Drücken, um zwischen den Eingangsquellen zu wechseln.
4	Navi-/OK-Taste	Zum Aktivieren des OSD-Menüs drücken; anschließend als Richtungstaste zum Markieren der gewünschten Funktion verwenden Zum Eingeben einer Auswahl erneut drücken



# Vorschriften und Sicherheitshinweise

## FCC-Hinweis

Dieses Gerät wurde getestet und erfüllt die Grenzwerte für ein digitales Gerät der Klasse B gemäß Teil 15 der FCC-Vorschriften. Diese Grenzwerte sollen einen angemessenen Schutz gegen Interferenzen bei der Installation in einem Wohngebiet bieten. Dieses Gerät erzeugt, verwendet und gibt möglicherweise Funkfrequenzenergie ab und kann, wenn es nicht gemäß den Anweisungen installiert und verwendet wird, Störungen des Funkverkehrs verursachen.

Es gibt jedoch keine Garantie dafür, dass bei einer bestimmten Installation keine Störungen auftreten. Wenn dieses Gerät Störungen des Radio- oder Fernsehempfangs verursacht, was sich durch Aus- und Einschalten des Geräts feststellen lässt, kann der Benutzer versuchen, die Störungen durch eine oder mehrere der folgenden Maßnahmen zu beseitigen:

- Neuausrichtung oder Versetzen der Empfangsantenne
- Vergrößern des Abstands zwischen dem Gerät und dem Receiver
- Anschließen des Geräts an eine Steckdose eines anderen Stromkreises als den, an dem der Receiver angeschlossen ist
- Zu Rate ziehen des Händlers oder eines erfahrenen Radio-/Fernsehtechnikers

## CE-Konformitätserklärung

Acer Inc. erklärt hiermit, dass dieser LCD-Monitor den grundlegenden Anforderungen und anderen relevanten Bestimmungen der EMV-Richtlinie 2014/30/EU, der Niederspannungsrichtlinie 2014/35/EU und der RoHS-Richtlinie 2011/65/EU sowie der Richtlinie 2009/125/EG zur Schaffung eines Rahmens für die Festlegung von Anforderungen an die umweltgerechte Gestaltung energieverbrauchsrelevanter Produkte entspricht.

## Hinweis:

Heben Sie den Monitor nicht an der Unterseite an, um Schäden am Monitor zu vermeiden.

## Hinweis: Abgeschirmte Kabel

Alle Verbindungen zu anderen Computing-Geräten müssen über abgeschirmte Kabel erfolgen, um die Einhaltung der EMV-Richtlinien sicherzustellen.

## Hinweis: Peripheriegeräte

Nur Peripheriegeräte (Eingabe-/Ausgabegeräte, Terminals, Drucker usw.), die die Grenzwerte der Klasse B erfüllen, dürfen an dieses Gerät angeschlossen werden. Der Anschluss von Peripheriegeräten, die diese Grenzwerte nicht erfüllen, kann Störungen des Radio- und Fernsehempfangs hervorrufen.

## Vorsicht

Änderungen oder Modifikationen, die nicht ausdrücklich durch den Hersteller genehmigt wurden, können dazu führen, dass die Betriebserlaubnis, die dem Benutzer von der Federal Communications Commission für dieses Produkt erteilt wurde, erlischt.

## Betriebsbedingungen

Dieses Gerät entspricht Teil 15 der FCC-Vorschriften. Der Betrieb unterliegt folgenden zwei Bedingungen: (1) Dieses Gerät darf keine schädlichen Interferenzen verursachen und (2) dieses Gerät muss alle empfangenen Interferenzen annehmen, einschließlich Interferenzen, die zu einem unerwünschten Betrieb führen können.

## Hinweis: Benutzer in Kanada

Dieses digitale Gerät der Klasse B entspricht der kanadischen Norm ICES-003.

## Remarque à l'intention des utilisateurs canadiens


Cet appareil numérique de la classe B est conforme à la norme NMB-003 du Canada.

## Entsorgung von Elektrogeräten durch Benutzer in Privathaushalten in der EU



Dieses Symbol auf dem Produkt oder seiner Verpackung weist darauf hin, dass dieses Produkt nicht über den normalen Hausmüll entsorgt werden darf. Es liegt in Ihrer Verantwortung, Ihre Altgeräte zur Entsorgung an einer Rücknahmestelle für das Recycling und die Entsorgung von elektrischen und elektronischen Geräten abzugeben. Die getrennte Sammlung und das Recycling von Altgeräten nach Ablauf der Lebensdauer tragen zur Erhaltung der natürlichen Ressourcen bei und garantieren eine Wiederverwertung, die die Gesundheit der Menschen und die Umwelt schont. Weitere Informationen dazu, wo sich Rücknahmestellen für Ihre Altgeräte befinden, erhalten Sie bei Ihrer Stadtverwaltung, den örtlichen Müllentsorgungsbetrieben oder im Geschäft, in dem Sie das Produkt erworben haben.

## TECHNISCHE DATEN

LCD-Bildschirm	System	TFT-LCD-Farbbildschirm	
	Größe	35" W (88,9 cm)	
	Pixelabstand	0,24 mm (H) x 0,24 mm (V)	
	Helligkeit	Nativ: 600 cd/m <sup>2</sup> ; HDR Modus: 1000 cd/m <sup>2</sup> (Spitze)	
	Kontrast	2500:1	
	Einsehbarer Winkel	178° (H) 178° (V) (CR = 10)	
	Reaktionszeit	2 ms (GTG)	
	Bildschirmtyp	VA	
	H-Frequenz	HDMI: 30 - 150 KHz DP: 88 - 282 KHz	
V-Frequenz	HDMI: 24 - 100 Hz DP: 24 - 180 Hz		
Displayfarben	16,7 Millionen		
Pixelfrequenz	HDMI 2.0: 543,5 MHz DP 1.4: 1017 MHz DP 1.4: 1056 MHz (DP-Übertaktungsfunktion = Ein)		
Maximale Auflösung	HDMI: 3440 x 1440 @ 100 Hz DP: 3440 x 1440 @ 180 Hz DP: 3440 x 1440 @ 200 Hz (Übertaktungsmodus nur für G-Sync)		
Plug & Play	VESA DDCI/DDC2B		
Energieeffizienzklasse	D		
*Jährlicher Energieverbrauch	145 (kWh) (für Modelle mit HDMI-Eingang)		
Stromverbrauch (bei 200 cd/m <sup>2</sup> )	Eingeschaltet	64,1 W (typisch)	
	Ruhemodus	0,50 W (typisch)	
	Ausgeschaltet	0,50 W (typisch)	
Eingangsbuchse	HDMI DP		
Eingangsvideosignal	HDMI-Signal DP		
Lautsprecher	4 W x 2		
USB	USB 3.0 x 3		
Maximale Bildschirmgröße	Horizontal: 819,408 mm Vertikal: 345,888 mm		
Stromquelle	20V  14A		
Umgebungsbedingungen	Betriebstemperatur: 0 bis 40 °C Lagertemperatur: -20 bis 60 °C Luftfeuchtigkeit bei Betrieb: 20 % bis 80 %		
Abmessungen	833 (B) x 450,5 bis 580,5 (H) x 309 (T) mm		
Gewicht (netto)	13,39 kg (netto)		
Daten zur Mechanik	Neigung: -5° bis +25° (nur am höchsten Punkt können 25 Grad Rückwärtsneigung des Höhenwinkels erzielt werden) Schwenken: -30° bis +30° Höheneinstellung: 0 mm bis 130 mm Drehgelenk: Nein Abnehmbarer Standfuß: Ja		
Externe Bedienelemente	Schalter/Tasten	Ein-/Aus-Taste Hotkey 1 Hotkey 2	Eingang 5 Navi-Taste
	Funktionen	Helligkeit Kontrast Blaues Licht Dark Boost Hintergr.Bel.-Reaktion SDR Variable Backlight Auto-Helligkeit Auto-Schwarzpegel Relatives Gamma SDR Colors sRGB DP YCbCr sRGB HDMI YCbCr sRGB Farbtemp. Lautstärke Over Drive Übertaktung	Zielpunkt Sprache OSD-Dauer Transparenz Akt.-Freq.-Nr. OSD-Sperre Eingang Umgebungslicht Schnellstastenzuweisung Bildformate Tiefschlaf Schnellstartmod. Abschalt-USB-Ladefunktion Displayinformationen Alle Einst. rücksetzen Beenden
Alle technischen Daten können sich ohne Vorankündigung ändern.			

Handbücher und andere Dokumente für Ihr Acer-Produkt finden Sie auf der offiziellen Acer-Support-Website.

\*Der jährliche Energieverbrauch berechnet sich anhand des typischen Stromverbrauchs von 4 Stunden pro Tag, 365 Tage im Jahr.



# Guía de inicio rápido del monitor LCD de Acer (QSG)

## Instrucciones de seguridad importantes

Lea detenidamente las siguientes instrucciones.

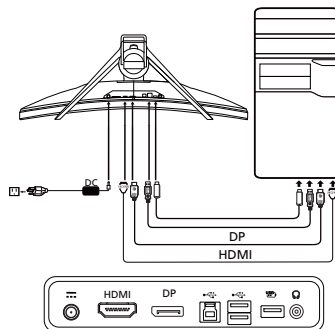
- Para limpiar la pantalla del monitor LCD: Asegúrese de que los parámetros eléctricos del monitor permiten utilizarlo con la corriente de CA disponible en su ubicación.
  - Apague el monitor LCD y desconecte el cable de alimentación.
  - Pulverice una solución de limpieza no soluble en un paño y limpie la pantalla con cuidado.
  - NUNCA PULVERICE NI ROCÍE NINGÚN LÍQUIDO DIRECTAMENTE SOBRE LA PANTALLA O CARCASA.**
  - POR FAVOR, NO UTILICE NINGÚN PRODUCTO DE LIMPIEZA CON AMONIACO O ALCOHOL EN LA PANTALLA LCD O EN LA CARCASA.**
- Acer no se responsabilizará de los daños resultantes del uso de productos de limpieza a base de amoníaco o alcohol.
- No coloque el monitor LCD cerca de una ventana. La exposición del monitor a la lluvia, la humedad o a la luz del sol podría dañarlo seriamente.
- No aplique presión sobre la pantalla LCD. El exceso de presión podría causar daños permanentes en la pantalla.
- No retire la cubierta ni intente reparar la unidad por sí mismo. Cualquier reparación debe correr a cargo de un técnico autorizado.
- Guarde el monitor LCD en una habitación con una temperatura entre -20° y 60° C (de -4° a 140° F). Si guarda el monitor LCD en un lugar con una temperatura superior o inferior podría sufrir daños permanentes.
- Desenchufe inmediatamente el monitor y llame a un técnico autorizado si se produce cualquiera de las siguientes situaciones:
  - El cable de señal del monitor al PC está desgastado o dañado.
  - Se ha vertido líquido sobre el monitor LCD o el monitor se ha expuesto a la lluvia.
  - El monitor LCD o la carcasa están dañados.

## Colocación del monitor en la base

- Retire la base del monitor del embalaje y colóquela en una zona de trabajo estable y nivelada.
- Extraiga el monitor de su embalaje.
- Coloque el brazo de soporte del monitor en la base.
  - Asegúrese de que la base está sujeta al brazo de soporte del monitor (para modelos seleccionados).
  - Para sujetar la base al brazo de soporte del monitor, gire el tornillo con una moneda del tamaño adecuado (para modelos seleccionados).

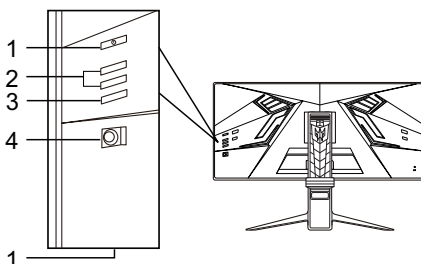
## Conexión del monitor a un ordenador

- Apague el monitor y desconecte el cable de alimentación del ordenador.
- 2-1 Conecte un cable HDMI
  - Asegúrese de que tanto el monitor como el ordenador están apagados.
  - Conecte el cable HDMI al ordenador.  
Al utilizar HDMI, pulse cualquier botón (excepto el de encendido) para activar la señal del puerto de E/S.
- 2-2 Conecte un cable DP (Entrada predeterminada)
  - Asegúrese de que tanto el monitor como el ordenador están apagados.
  - Conecte el cable DP al ordenador.
- Introduzca el cable de alimentación del monitor en el puerto de la parte posterior del monitor.
- Conecte los cables de alimentación del ordenador y el monitor a una toma de corriente cercana.
- Seleccione Carga USB en estado de apagado ON/OFF para activar o desactivar la función de Carga USB en estado de apagado.



## Controles externos

N.º	Elemento	Descripción
1	Indicador/Botón de encendido	Apaga o enciende el monitor. El color azul indica que está encendido. El color ámbar indica el modo de espera/ahorro de energía.
2	Teclas de acceso rápido 1, 2 botones	Activa la función de teclas de acceso rápido definidas por el usuario.
3	Botón de entrada	Pulse para cambiar entre las fuentes de entrada.
4	Botón de navegación/Aceptar	Pulse este botón para activar el menú OSD y utilícelo como botón direccional para resaltar la función deseada. Púlselo de nuevo para confirmar la selección.



## Normativa y avisos de seguridad

### Aviso de la FCC

Este dispositivo se ha probado y comprobado que cumple con los límites para un dispositivo digital de Clase B conforme a la Parte 15 de las normas de la FCC. Estos límites están diseñados para proporcionar una protección razonable frente a interferencias dañinas en una instalación residencial. Este dispositivo genera, utiliza y puede irradiar energía de radiofrecuencia y, si no se instala ni utiliza conforme a las instrucciones, podría causar interferencias dañinas en las comunicaciones de radio.

No obstante, no puede garantizarse que las interferencias no se produzcan en instalaciones concretas. Si este dispositivo causa interferencias dañinas en la recepción de radio o televisión, lo que puede determinarse apagando y encendiendo el dispositivo, el usuario puede intentar solucionar las interferencias de las siguientes maneras:

- Cambiar la orientación de la antena receptora o colocarla en otro lugar.
- Aumentar la separación entre el dispositivo y el receptor.
- Conectar el dispositivo a una toma de corriente en un circuito distinto al que se ha conectado el receptor.
- Consulte con el distribuidor o un técnico especializado en radio y televisión para recibir asistencia.

### Declaración de conformidad CE

Por la presente, Acer Inc. declara que este monitor LCD cumple con los requisitos y otras provisiones relevantes de la directiva EMC 2014/30/EU, la directiva de bajo voltaje 2014/35/EU, la directiva RoHS 2011/65/EU y la directiva 2009/125/EC relacionadas con la creación de un marco para el establecimiento de requisitos de ecodiseño para productos relacionados con la energía.

### Aviso:

Para evitar daños en el monitor, no lo levante sujetándolo por la base.

### Aviso: Cables blindados

Las conexiones a otros dispositivos informáticos deben realizarse con cables blindados, a fin de cumplir con las normativas de la EMC.

### Aviso: Dispositivos periféricos

Solo deben conectarse a este equipo aquellos periféricos (dispositivos de entrada/salida, terminales, impresoras, etc.) certificados que cumplan con los límites de la Clase B. Si se utiliza con periféricos sin certificación, es posible que se produzcan interferencias en la recepción de radio y televisión.

### Precaución

Cualquier cambio o modificación no aprobado expresamente por el fabricante podría anular la autoridad del usuario, concedida por la Comisión Federal de Comunicaciones, para utilizar el producto.

### Condiciones de funcionamiento

Este dispositivo cumple con la Parte 15 de las normas de la FCC. El funcionamiento está sujeto a las siguientes condiciones: (1) este dispositivo no puede causar interferencias dañinas y (2) este dispositivo debe aceptar cualquier interferencia recibida, incluidas aquellas que puedan provocar un funcionamiento no deseado.

### Aviso: Usuarios de Canadá

Este aparato digital de Clase B cumple con la normativa canadiense ICES-003.

### Remarque à l'intention des utilisateurs canadiens

Cet appareil numérique de la classe B est conforme à la norme NMB-003 du Canada.

### Eliminación de equipo obsoleto por parte de los usuarios en una vivienda privada en la Unión Europea



La aparición de este símbolo en el producto o su embalaje indica que no es posible eliminarlo con el resto de residuos domésticos. En su lugar, el usuario es responsable de eliminar el equipo obsoleto llevándolo a un punto de recogida designado para el reciclaje de equipo eléctrico y electrónico. El reciclaje y la recogida por separado del equipo obsoleto en el momento de su eliminación ayudarán a conservar los recursos naturales y garantizar que se recicla de una forma que proteja la salud humana y el medio ambiente. Para obtener más información sobre dónde puede llevar su equipo obsoleto para reciclarlo, póngase en contacto con el ayuntamiento de su localidad, el servicio de eliminación de residuos o el establecimiento donde compró el producto.

# ESPECIFICACIONES

Panel LCD	Sistema de conducción	Pantalla LCD TFT en color	
	Tamaño	35" W (88,9 cm)	
	Distancia entre píxeles	0,24 mm (horizontal) x 0,24 mm (vertical)	
	Brillo	Nativo: 600 cd/m <sup>2</sup> ; HDR modo: 1000 cd/m <sup>2</sup> (pico)	
	Contraste	2500:1	
	Ángulo de visión	178° (horizontal) 178° (vertical) (CR=10)	
	Tiempo de respuesta	2 ms (GTG)	
	Tipo de panel	VA	
	Frecuencia H	HDMI: 30-150 KHz DP: 88-282 KHz	
Frecuencia V	HDMI: 24-100 Hz DP: 24-180 Hz		
Colores de la pantalla		16,7 millones	
Reloj de punto		HDMI 2.0: 543,5 MHz DP 1.4: 1017 MHz DP 1.4: 1056 MHz (función DP-over clock = ACTIVADA)	
Resolución máxima		HDMI: 3440 x 1440 @ 100 Hz DP: 3440 x 1440 @ 180 Hz DP: 3440 x 1440 @ 200 Hz (Solo modo Overclocking para G-Sync)	
Plug & Play		VESA DDCCI/DDC2B	
Clase de eficiencia energética		D	
*Consumo de energía anual		145 (kWh) (para el modelo de entrada HDMI)	
Consumo de energía (a 200 unidades)	Modo encendido	64,1 W (típico)	
	Modo de suspensión	0,50 W (típico)	
	Modo apagado	0,50 W (típico)	
Conector de entrada		HDMI DP	
Señal de entrada de vídeo		Señal HDMI DP	
Altavoces		4 W x 2	
USB		USB 3.0 x 3	
Tamaño máximo de pantalla		Horizontal: 819,408 mm Vertical: 345,888 mm	
Fuente de alimentación		20V $\overline{\text{---}}$ 14A	
Consideraciones ambientales		Temperatura de funcionamiento: de 0° a 40°C Temperatura de almacenamiento: de -20° a 60°C Humedad de funcionamiento: entre el 20% y el 80%	
Dimensiones		833 (ancho) x 450,5 – 580,5 (alto) x 309 (diagonal) mm	
Peso (peso neto)		13,39 kg (neto)	
Especificaciones de funcionamiento		Inclinación: de -5° a +25° (el grado de inclinación máximo en el punto más alto es de 25 grados) Giro: de -30° a +30° Ajuste de altura: de 0 mm a 130 mm Pivote: No Soporte extraíble: Si	
Controles externos	Interruptor/Botones	Botón de encendido Tecla rápida 1 Tecla rápida 2	Entrada Tecla de navegación (5)
	Funciones	Brillo Contraste Luz azul Dark Boost Respuesta de retroilum. SDR Variable Backlight Brillo automático Nivel de negro aut. Gamma relavita SDR Colors sRGB DP YCbCr sRGB HDMI YCbCr sRGB Temp. Color Volumen Sobrecarga Aum. vel. reloj	Punto de mira Idioma T. de espera OSD Transparencia Refresh rate number Bloqueo OSD Entrada Luz ambiente Asignac. teclas rápidas Modo panorámico Suspensión profunda Modo inicio ráp. Carga USB en estado de apagad Información de la pantalla Restablecer config. Salida
Todas las especificaciones están sujetas a cambios sin aviso previo.			

Puede encontrar manuales y otros documentos para su producto de Acer en el sitio web oficial de asistencia de Acer.

\*El consumo de energía anual se calcula a partir del consumo de energía típico de 4 horas al día, los 365 días del año.

# Guide de démarrage rapide (QSG) – Moniteur LCD Acer

## Instructions importantes de sécurité

Veuillez lire attentivement les instructions ci-dessous.

- Pour nettoyer l'écran du moniteur LCD : Assurez-vous que l'alimentation requise pour votre moniteur correspond à l'alimentation secteur dans la zone géographique où vous vous trouvez.
  - Éteignez le moniteur LCD et débranchez le cordon d'alimentation.
  - Pulvérisez une solution de nettoyage sans solvant sur un chiffon et nettoyez l'écran doucement.
  - NE VAPORISEZ OU NE VERSEZ JAMAIS DE LIQUIDE SUR L'ÉCRAN OU LE BOÎTIER.**
  - VEUILLEZ NE PAS UTILISER DE PRODUITS DE NETTOYAGE À BASE D'AMMONIAC OU D'ALCOOL SUR L'ÉCRAN LCD OU LE BOÎTIER.**
  - Acer ne sera pas responsable de dommages résultant de l'utilisation de produits de nettoyage à base d'ammoniaque ou d'alcool.
- Ne placez pas le moniteur LCD à proximité d'une fenêtre. L'exposition du moniteur à la pluie, à l'humidité ou à la lumière du soleil peut gravement l'endommager.
- N'appuyez pas sur l'écran LCD. Une pression excessive peut endommager l'écran de manière définitive.
- Ne retirez pas le boîtier et ne tentez pas de réparer l'appareil vous-même. Tout entretien ou réparation doit être effectué par un technicien autorisé.
- Entrez le moniteur LCD dans une pièce dont la température est comprise entre -20 et 60 °C (-4 et 140 °F). Le stockage du moniteur LCD à des températures inférieures ou supérieures peut l'endommager de manière définitive.
- Si l'une des situations suivantes se présente, débranchez immédiatement votre moniteur et appelez un technicien autorisé :
  - Le câble de signal entre le moniteur et le PC est effiloché ou endommagé.
  - Le moniteur reçoit des projections d'eau ou est exposé à la pluie.
  - Le moniteur LCD ou son boîtier est endommagé.

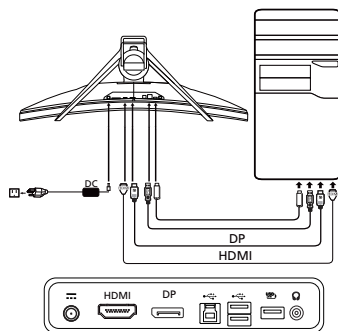
## Fixation du moniteur sur son socle

- Déballiez le socle du moniteur et placez-le sur une surface stable et plane.
- Retirez le moniteur de l'emballage.
- Fixez le pied du moniteur à son socle.
  - Vérifiez que le socle est bien fixé au pied. (Pour certains modèles)
  - Assurez la fixation du socle sur le pied du moniteur en faisant tourner la vis à l'aide d'une languette ou d'une pièce de monnaie adaptée. (Pour certains modèles)

## Connexion du certain moniteur à un ordinateur

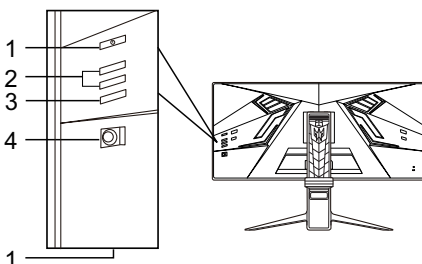
- Éteignez votre moniteur et débranchez le cordon d'alimentation de votre ordinateur.
- 2-1 Branchez le câble HDMI
  - Assurez-vous que le moniteur et l'ordinateur sont tous deux éteints.
  - Branchez le câble HDMI à l'ordinateur.

Lorsque vous utilisez la fonction HDMI, vous pouvez appuyer sur n'importe quel bouton sauf sur le bouton d'alimentation pour activer la source du port d'entrée/sortie.
- 2-2 Branchez le câble DP (entrée par défaut)
  - Assurez-vous que le moniteur et l'ordinateur sont tous deux éteints.
  - Branchez le câble DP à l'ordinateur.
- Insérez le câble d'alimentation du moniteur dans le port d'alimentation à l'arrière de l'écran.
- Branchez les cordons d'alimentation de votre ordinateur et de votre moniteur sur une prise électrique à proximité.
- Utilisez le commutateur Chargement USB à l'arrêt pour activer et désactiver la fonction de recharge USB quand l'appareil est éteint.



## Commandes externes

No	Élément	Description
1	Bouton/voyant d'alimentation	Permet d'allumer et d'éteindre le moniteur. Bleu : l'appareil est allumé. Orange : mode veille/mode d'économie d'énergie.
2	Raccourci 1, 2 boutons	Appuyez pour activer les fonctions de raccourci définies par l'utilisateur.
3	Bouton Entrée	Appuyez pour changer de source d'entrée.
4	Bouton navigation/OK	Appuyez pour activer le menu à l'écran, puis utilisez le bouton comme une flèche directionnelle pour mettre en surbrillance la fonction souhaitée. Appuyez de nouveau pour sélectionner.



# Réglementation et consignes de sécurité

## Avis FCC

Cet appareil a été testé et les résultats de ces tests ont révélé qu'il respecte les limites d'un appareil numérique de classe B, en conformité avec la réglementation de la section 15 de la FCC. Ces limites sont conçues pour offrir une protection raisonnable contre les interférences nuisibles dans une installation résidentielle. Cet appareil produit, utilise et peut émettre un rayonnement électromagnétique et, s'il n'est pas installé et utilisé conformément à aux instructions, peut provoquer des interférences nuisibles aux communications radio.

Cependant, il est impossible de garantir qu'aucune interférence ne se produira dans certaines installations. Si cet appareil provoque des interférences qui affectent la réception d'un poste de radio ou de télévision, ce que vous pouvez déterminer en éteignant puis en allumant l'appareil, nous vous encourageons à essayer de les corriger en employant au moins l'une des méthodes suivantes :

- Réorientez ou déplacez l'antenne de réception.
- Éloignez l'appareil du récepteur.
- Branchez l'appareil sur une prise située sur un circuit différent de celui sur lequel le récepteur est branché.
- Consultez le revendeur ou un technicien en radio et télévision expérimenté pour obtenir une assistance.

## Déclaration de conformité CE

Acer, Inc. déclare par la présente que cet appareil est conforme aux obligations essentielles et autres clauses pertinentes de la directive CEM 2014/30/UE, de la directive sur les faibles voltages 2014/35/UE, de la directive RoHS 2011/65/UE et de la directive 2009/125/CE concernant l'établissement d'un cadre fixant des exigences d'écoconception pour les produits liés à l'énergie.

## Avis :

Afin d'éviter d'endommager le moniteur, ne soulevez pas le moniteur par sa base.

## Avis : Câbles blindés

Toutes les connexions vers d'autres appareils informatiques doivent être établies à l'aide de câbles blindés afin d'assurer la conformité aux réglementations EMC.

## Avis : Périphériques

Seuls des périphériques (appareils d'entrée/sortie, terminaux, imprimantes, etc.) certifiés conformes aux limites de la classe B doivent être connectés à cet appareil. Toute utilisation avec des périphériques non certifiés est susceptible d'entraîner des perturbations de la réception radio ou télévision.

## Attention

Les changements ou modifications qui ne seraient pas expressément approuvés par le fabricant peuvent rendre nul le droit de l'utilisateur à faire fonctionner ce produit, droit qui lui est accordé par la Federal Communications Commission.

## Conditions de fonctionnement

Cet appareil est conforme à la partie 15 de la réglementation de la FCC. Il peut être utilisé sous les deux conditions suivantes :

(1) cet appareil ne doit pas causer d'interférences nuisibles, et (2) cet appareil doit accepter toute interférence reçue, notamment celles susceptibles de causer un fonctionnement indésirable.

## Avis : Utilisateurs canadiens

Cet appareil numérique de classe B est conforme à la norme canadienne ICES-003.

## Remarque à l'intention des utilisateurs canadiens


Cet appareil numérique de la classe B est conforme à la norme NMB-003 du Canada.

## Mise au rebut des équipements usagés par les utilisateurs faisant partie de ménages privés dans l'Union européenne



Ce symbole sur le produit ou sur son emballage indique que le produit ne doit pas être jeté avec les autres ordures ménagères. Il relève donc de votre responsabilité de recycler ce déchet d'équipement électronique en le remettant à un point de collecte prévu pour les déchets électriques et électroniques. Le tri, l'élimination et le recyclage séparés de vos équipements usagés permettent de préserver les ressources naturelles et de s'assurer que ces équipements sont recyclés dans le respect de la santé humaine et de l'environnement. Pour plus d'informations quant aux lieux d'élimination des déchets d'équipements électriques, vous pouvez contacter votre mairie, le service local de traitement des ordures ménagères ou le commerçant auprès duquel vous avez acheté le produit.

## CARACTÉRISTIQUES

Panneau LCD	Technologie	TFT-LCD couleur	
	Taille	35"W (88,9 cm)	
	Espacement des pixels	0,24 mm (H) x 0,24 mm (V)	
	Luminosité	Natif : 600 cd/m <sup>2</sup> ; mode HDR : 1000 cd/m <sup>2</sup> (pic)	
	Contraste	2500:1	
	Angle de vision	178° (H) 178° (V) (CR = 10)	
	Temps de réponse	2 ms (GTG)	
	Type de panneau	VA	
	Fréquence horizontale	HDMI : 30 à 150 KHz DP : 88 à 282 KHz	
	Fréquence verticale	HDMI : 24 à 100 Hz DP : 24 à 180 Hz	
Couleurs affichées		16,7 millions	
Fréquence		HDMI 2.0 : 543,5 MHz DP 1.4 : 1017 MHz DP 1.4 : 1056 MHz (fonction DP-Over Clock = activée)	
Résolution maximale		HDMI : 3440 x 1440 @ 100 Hz DP : 3440 x 1440 @ 180 Hz DP : 3440 x 1440 @ 200 Hz (Mode de surcadencage pour G-Sync seulement)	
Plug-and-Play		VESA DDCCI/DDC2B	
Classe d'efficacité énergétique		D	
*Consommation annuelle d'énergie		145 (kWh) (pour le modèle à entrée HDMI)	
Consommation électrique (à 200 nits)	Mode Marche	64,1 W (typique)	
	Mode Veille	0,50 W (typique)	
	Mode Arrêt	0,50 W (typique)	
Connecteur d'entrée		HDMI DP	
Signal vidéo d'entrée		Signal HDMI DP	
Haut-parleurs		4 W x 2	
USB		USB 3.0 x 3	
Taille maximale de l'écran		Horizontalement : 819,408 mm Verticalement : 345,888 mm	
Source d'alimentation		20V  14A	
Conditions environnementales		Temp. de fonctionnement : 0 à 40 °C Temp. de stockage : -20 à 60 °C Humidité de fonctionnement : 20 à 80%	
Dimensions		833 (L) x 450,5 – 580,5 (H) x 309 (P) mm	
Poids (net)		13,39 kg (net)	
Caractéristiques mécaniques		Inclinaison : -5 ° à +25 ° (l'inclinaison de 25 degrés est possible uniquement au plus haut point pour l'angle d'élévation) Rotation : -30 ° à +30 ° Réglage de la hauteur : 0 à 130 mm Pivot : Non Pied amovible : Oui	
Commandes externes	Commutateur/boutons	Bouton d'alimentation Raccourci 1 Raccourci 2	Entrée 5 boutons de navigation
	Fonctions	Luminosité Contraste Lumière bleue Dark Boost Réponse rétroéclairage SDR Variable Backlight Luminosité auto Niveau noir auto Gamma relatif SDR Colors sRGB DP YCbCr sRGB HDMI YCbCr sRGB Temp. Couleur Volume Taux de réaction Over Clock	Point de visée Langue Délai de l'OSD Transparence N tx rafraîchit Verrouillage OSD Entrée Lumière ambiante Affectation raccourcis Mode Large Veille prolongée Md démarr rapide Chargement USB à l'arrêt Informations sur l'écran Réinitial ts réglages Quitter
Les caractéristiques peuvent faire l'objet de modifications sans préavis.			

Vous pouvez trouver les manuels et autres documents pour votre produit Acer sur le site Web d'assistance Acer officiel.

\* La consommation d'énergie annuelle est calculée à partir d'une consommation d'énergie typique de 4 heures par jour, 365 jours par an.

# Guida di avvio rapido (QSG) del monitor LCD Acer

## Istruzioni importanti sulla sicurezza

Leggere attentamente le seguenti istruzioni.

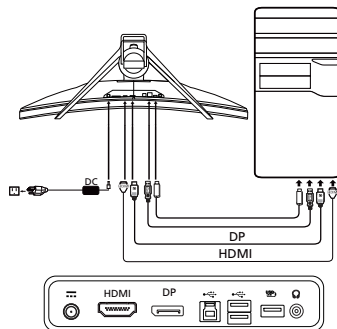
1. Pulizia dello schermo del monitor LCD: Accertarsi che i valori nominali elettrici del monitor siano compatibili con l'alimentazione CA disponibile nella propria sede.
  - Spegnerne il monitor LCD e scollegare la presa di alimentazione.
  - Spruzzare una soluzione insolubile per la pulizia su un panno e pulire delicatamente lo schermo.
  - **NON SPRUZZARE O VERSARE LIQUIDI DIRETTAMENTE SULLO SCHERMO O SUL CASE.**
  - **NON USARE SOLVENTI A BASE DI AMMONIACA O ALCOOL SULLO SCHERMO LCD O SUL CASE.**
  - Acer non sarà responsabile per danni causati dall'uso di qualsiasi solvente a base di ammoniaca o alcool.
2. Non posizionare il monitor LCD vicino a una finestra. L'esposizione alla pioggia, all'umidità o alla luce solare può danneggiare gravemente il monitor.
3. Non applicare pressione sullo schermo LCD. Una pressione eccessiva può causare danni permanenti allo schermo.
4. Non rimuovere il coperchio né tentare di riparare autonomamente questa unità. Tutte le riparazioni devono essere eseguite da un tecnico autorizzato.
5. Installare il monitor LCD in una stanza con una temperatura compresa tra i -20° e i 60 °C (da -4° a 140 °F). L'installazione del monitor LCD al di fuori di questo intervallo di temperature può causare danni permanenti.
6. Scollegare immediatamente il monitor e contattare un tecnico autorizzato se si verificano le seguenti condizioni:
  - Il cavo di segnale dal monitor al PC è usurato o danneggiato.
  - Del liquido penetra nel monitor LCD o il monitor viene esposto alla pioggia.
  - Il monitor LCD o la scocca sono danneggiati.

## Collegamento del monitor alla base

1. Estrarre la base del monitor dalla confezione e posizionarla su una superficie piana e stabile.
2. Estrarre il monitor dalla confezione.
3. Collegare il supporto del monitor alla base.
  - Accertarsi che la base sia bloccata sul supporto del monitor (per i modelli selezionati).
  - Fissare la base al supporto del monitor ruotando la vite con uno strumento a testa piatta o con una monetina compatibile (per i modelli selezionati).

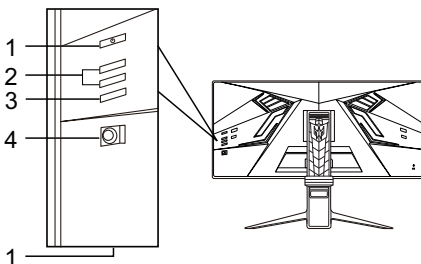
## Collegamento del monitor a un computer

1. Spegnerne il monitor e scollegare il cavo di alimentazione del computer.
2. 2-1 Collegare il cavo HDMI
  - a. Accertarsi che il monitor e il computer siano spenti.
  - b. Collegare il cavo HDMI al computer.
 Con l'interfaccia HDMI, è possibile premere un pulsante qualsiasi, escluso il pulsante di accensione, per attivare la porta di origine I/O.
- 2-2 Collegare il cavo DP (Input predefinito)
  - a. Accertarsi che il monitor e il computer siano spenti.
  - b. Collegare il cavo DP al computer.
3. Inserire il cavo di alimentazione del monitor nella porta di alimentazione nella parte posteriore del monitor.
4. Collegare i cavi di alimentazione del computer e del monitor a una presa elettrica nelle vicinanze.
5. Selezionare Spegnimento carica USB per Attiva/Spento la funzione Spegnimento carica USB.



## Controlli esterni

N.	Elemento	Descrizione
1	Pulsante/indicatore di alimentazione	Consente di accendere/spegnere il monitor. Il colore blu indica che il monitor è acceso. Il colore ambrato indica che il monitor è in standby/ modalità di risparmio energetico.
2	Tasto 1, 2 pulsanti	Premere per attivare la funzione del tasto definita dall'utente.
3	Pulsante Input	Premere per scorrere le diverse opzioni di ingresso.
4	Pulsante di navigazione/OK	Premere per attivare il menu OSD, quindi, utilizzarlo come tasto direzionale per evidenziare la funzione desiderata. Premere nuovamente per immettere una selezione.



## Norme e avvisi di sicurezza

### Normative FCC

Questo dispositivo è stato testato ed è risultato conforme ai limiti stabiliti per i dispositivi digitali di Classe B, ai sensi della Parte 15 delle Normative FCC. Tali limiti sono stati stabiliti per fornire una ragionevole protezione da interferenze nocive presenti nelle installazioni residenziali. Questo dispositivo genera, utilizza e può emettere frequenze radio, e se non è installato e utilizzato secondo le istruzioni, può causare un'interferenza dannosa alle comunicazioni radio.

Tuttavia, non vi è alcuna garanzia che l'interferenza non si verifichi in particolari installazioni. Se il dispositivo causa un'interferenza dannosa alla ricezione di radio e televisori, che può essere determinata spegnendo e accendendo il dispositivo, si prega l'utente di correggere l'interferenza applicando una o più delle seguenti misure:

- Riorientare o riposizionare l'antenna di ricezione.
- Aumentare la distanza tra il dispositivo e il ricevitore.
- Collegare il dispositivo a una presa su un circuito diverso da quello a cui è collegato il ricevitore.
- Per assistenza, contattare il rivenditore o un tecnico professionista nell'ambito di radio e televisori.

### Dichiarazione di conformità CE

Con il presente documento, Acer Inc., dichiara che questo monitor LCD è conforme ai requisiti essenziali e ad altre normative pertinenti della Direttiva EMC 2014/30/UE, alla Direttiva sulla bassa tensione 2014/35/UE e alla Direttiva RoHS 2011/65/UE e alla Direttiva 2009/125/CE con riferimento all'istituzione di un quadro per l'elaborazione di specifiche per la progettazione ecocompatibile dei prodotti connessi al consumo energetico.

### Avviso:

Per impedire danni al monitor, non sollevare il monitor per la sua base.

### Avviso: Cavi schermati

Tutte i collegamenti ad altri dispositivi di elaborazione devono essere effettuati utilizzando cavi schermati per mantenere la conformità alle normative EMC.

### Avviso: Dispositivi periferici

È possibile collegare a questa apparecchiatura solo le periferiche (dispositivi in ingresso/uscita, terminali, stampanti, ecc.) certificate per la conformità ai limiti della Classe B. L'uso di periferiche non certificate può causare interferenze alla ricezione di radio e TV.

### Avvertenza

Eventuali modifiche o cambiamenti non espressamente approvati dal produttore potrebbero annullare l'autorità dell'utente, concessa dalla Federal Communications Commission, a utilizzare questo prodotto.

### Condizioni di utilizzo

Questo dispositivo è conforme alla Parte 15 delle Normative FCC. L'utilizzo è soggetto alle seguenti due condizioni: (1) il dispositivo non deve causare interferenze dannose e (2) deve accettare tutte le interferenze ricevute, comprese quelle che possono causare un funzionamento indesiderato.

### Avviso: Utenti canadesi

Questo apparecchio digitale di classe B è conforme alla normativa canadese ICES-003.

### Remarque à l'intention des utilisateurs canadiens

Cet appareil numérique de la classe B est conforme à la norme NMB-003 du Canada.

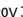
### Smaltimento dei dispositivi utilizzati da parte di utenti privati nell'Unione Europea



Questo simbolo sul prodotto o sulla confezione indica che il prodotto non deve essere smaltito insieme ai rifiuti domestici. È quindi responsabilità dell'utente smaltirlo portandolo presso un centro di raccolta autorizzato per il riciclo delle apparecchiature elettriche ed elettroniche. La raccolta differenziata e il riciclaggio di tali rifiuti provenienti da apparecchiature nel momento dello smaltimento aiuteranno a preservare le risorse naturali e garantiranno un riciclaggio adatto a proteggere il benessere dell'uomo e dell'ambiente. Per maggiori informazioni sui centri di raccolta, contattare il proprio ufficio locale, il servizio di smaltimento rifiuti o il negozio presso il quale è stato acquistato il prodotto.



# SPECIFICHE

Pannello LCD	Sistema di trasmissione	LCD a colori TFT	
	Dimensioni	35" W (88,9 cm)	
	Passo del pixel	0,24 mm (O) x 0,24 mm (V)	
	Luminosità	Nativa: 600 cd/m <sup>2</sup> ; Modalità HDR: 1000 cd/m <sup>2</sup> (picco)	
	Contrasto	2500:1	
	Angolo di visualizzazione	178° (O) 178° (V) (CR=10)	
	Tempo di risposta	2 ms (GTG)	
	Tipo di pannello	VA	
	Frequenza O	HDMI: 30 - 150 KHz DP: 88 - 282 KHz	
Frequenza V	HDMI: 24 - 100 Hz DP: 24 - 180 Hz		
Colori del display	16,7 milioni		
Dot Clock	HDMI 2.0: 543,5 MHz DP 1.4: 1017 MHz DP 1.4: 1056 MHz (funzione Over Clock DP = attivata)		
Risoluzione massima	HDMI: 3440 x 1440 @ 100 Hz DP: 3440 x 1440 @ 180 Hz DP: 3440 x 1440 @ 200 Hz (Modalità overclock solo per G-Sync)		
Plug & Play	VESA DDCCI/DDC2B		
Classe di efficienza energetica	D		
* Consumo energetico annuale	145 (kWh) (per i modelli con ingresso HDMI)		
Consumo energetico (a 200 nits)	Modalità on	64,1 W (Tipico)	
	Modalità sospensione	0,50 W (Tipico)	
	Modalità off	0,50 W (Tipico)	
Connettore di ingresso	HDMI DP		
Segnale video in ingresso	Segnale HDMI DP		
Altoparlanti	4 W x 2		
USB	USB 3.0 x 3		
Dimensione massima dello schermo	Orizzontale: 819,408 mm Verticale: 345,888 mm		
Fonte di alimentazione	20V  14A		
Considerazioni ambientali	Temperatura operativa: Da 0° a 40°C Temperatura di stoccaggio: Da -20° a 60°C Umidità operativa: Da 20% a 80%		
Dimensioni	833 (L) x 450,5 - 580,5 (A) x 309 (P) mm		
Peso (peso netto)	13,39 kg (netto)		
Specifiche meccaniche	Inclinazione: Da -5° a +25° (inclinazione di 25 gradi solo nel punto più alto dell'angolo di elevazione) Rotazione: Da -30° a +30° Regolazione dell'altezza: Da 0 mm a 130 mm Perno: no Piedistallo scollegabile: si		
Controlli esterni	Switch/Pulsanti	Pulsante di alimentazione Tasto 1 Tasto 2	Input Tasto di navigazione 5
	Funzioni	Luminosità Contrasto Spia blu Dark Boost Risposta retroill. SDR Variable Backlight Luminosità auto Livello nero auto Gamma relativa SDR Colors sRGB DP YCbCr sRGB HDMI YCbCr sRGB Temp. Colore Volume Over Drive Over Clock	Punto di mira Lingua Intervallo OSD Trasparenza Num freq aggiorni Blocco OSD Input Luce ambientale Assegnazione tasti Schermo intero Sospensione profonda Mod Avvio rapido Spegnimento carica USB Informazioni sul display Ripristina tutto Uscita
Tutte le specifiche sono soggette a modifica senza preavviso.			

I manuali e altri documenti relativi al prodotto Acer sono disponibili sul sito Web di assistenza ufficiale Acer.

\* Il consumo energetico annuale viene calcolato utilizzando il consumo energetico tipico di 4 ore al giorno, 365 giorni all'anno.

## Snelstartgids Acer Lcd-monitor (QSG)

### Belangrijke veiligheidsinstructies

Lees de volgende instructies aandachtig door.

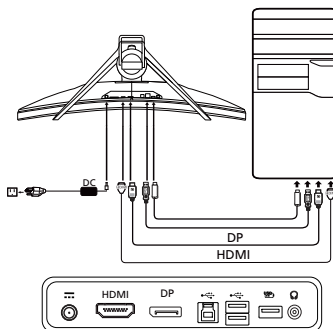
- Lcd-monitor reinigen: Zorg ervoor dat uw monitor geschikt is voor de wisselstroom die beschikbaar is op uw locatie.
  - Schakel de lcd-monitor uit en trek de stekker uit het stopcontact.
  - Spuut een oplosmiddelvrij reinigingsmiddel op een doek en reinig het scherm voorzichtig.
  - SPUIT OF GIET NOOIT VLOEISTOF DIRECT OP HET SCHERM OF DE BEHUIZING.**
  - GEBRUIK NOOIT AMMONIA OF REINIGINGSMIDDELEN OP ALCOHOLBASIS OP HET LCD-SCHERM OF DE BEHUIZING.**
  - Acer kan niet aansprakelijk worden gesteld voor schade als gevolg van het gebruik van ammonia of reinigingsmiddelen op alcoholbasis.
- Plaats de lcd-monitor niet vlak bij een raam. Blootstelling van de monitor aan regen, vocht of zonlicht kan ernstige schade veroorzaken.
- Oefen geen druk uit op de lcd-monitor. Buitensporige druk kan leiden tot blijvende schade aan het scherm.
- Verwijder de behuizing niet en probeer niet zelf het apparaat te repareren. Onderhoud van welke aard ook moet door een erkend monteur worden uitgevoerd.
- Bewaar de lcd-monitor in een ruimte met een temperatuur van -20 tot 60 °C (-4 tot 140 °F). Het bewaren van de lcd-monitor buiten dit bereik kan blijvende schade tot gevolg hebben.
- Haal onmiddellijk de stekker uit het stopcontact en neem contact op met een geautoriseerd monteur indien een van de volgende omstandigheden zich voordoet:
  - Monitor-naar-pc-signaalkabel is gerafeld of beschadigd.
  - Gemorste vloeistoffen op de lcd-monitor of de monitor is blootgesteld aan regen.
  - De lcd-monitor of de behuizing is beschadigd.

### De monitor aan de voet bevestigen

- Haal de voet van het beeldscherm uit de verpakking en plaats deze op een stabiele en vlakke ondergrond.
- Haal de monitor uit de verpakking.
- Bevestig de standaard van de monitor aan de voet.
  - Zorg dat de voet op de standaard van de monitor is vergrendeld. (voor bepaalde modellen)
  - Maak de voet aan de standaard van de monitor vast door de schroef te draaien met behulp van het geïntegreerde lipje of een geschikte munt. (voor bepaalde modellen)

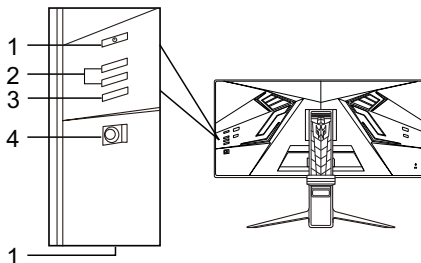
### Uw monitor aansluiten op een computer

- Schakel uw monitor uit en trek de stekker van uw computer uit het stopcontact.
- 2-1 HDMI-kabel aansluiten
  - Zorg dat de monitor en de computer zijn uitgeschakeld.
  - Sluit de HDMI-kabel aan op de computer.
 Bij gebruik van HDMI kunt u op elke knop behalve de aan-uitknop drukken om de bron te triggeren die op de I/O-poort is aangesloten.
- 2-2 DP-kabel aansluiten (standaardingang)
  - Zorg dat de monitor en de computer zijn uitgeschakeld.
  - Sluit de DP-kabel aan op de computer.
- Sluit de voedingskabel van de monitor aan op de voedingspoort aan de achterkant van de monitor.
- Stek de voedingskabels van de computer en de monitor in een stopcontact in de buurt.
- Selecteer Uitschakelen USB-opladen AAN/UIT om de functie Uitschakelen USB-opladen in of uit te schakelen.



### Knoppen op de behuizing

Nr.	Item	Beschrijving
1	Aan-uitknop/-indicator	Zet de monitor aan/uit. Blauw betekent aan. Oranje betekent stand-by/energiebesparende stand.
2	Sneltoets 1, 2 knoppen	Druk hierop om de functie te activeren die de gebruiker onder de sneltoets heeft opgeslagen.
3	Signaalknop	Druk hierop om tussen signalen te schakelen.
4	Navigatie-/OK-knop	Druk hierop om het OSD-menu te openen en vervolgens om naar de gewenste functie te gaan. Druk nogmaals op de knop om een selectie te maken.



# Wetgeving en veiligheidsvoorschriften

## Kennisgeving FCC

Dit apparaat is getest en voldoet aan de limieten voor een digitaal apparaat van klasse B overeenkomstig deel 15 van de FCC-voorschriften. Deze limieten zijn opgesteld om een redelijke bescherming te bieden tegen schadelijke interferentie bij installatie in een woonomgeving. Dit apparaat genereert en gebruikt radiofrequentie-energie en kan deze energie uitstralen. Indien het niet in overeenstemming met de instructies wordt geïnstalleerd en gebruikt, kan het schadelijke storing veroorzaken aan radiocommunicatie.

Er is echter geen garantie dat er geen interferentie zal optreden in een bepaalde installatie. Als dit apparaat wel schadelijke interferentie veroorzaakt bij uw radio- of televisieontvangst, wat kan worden vastgesteld door het apparaat uit en in te schakelen, kan de gebruiker op de volgende manieren proberen de storing te verhelpen:

- Draai of verplaats de ontvangstantenne.
- Vergroot de afstand tussen het apparaat en de ontvanger.
- Sluit het apparaat aan op een ander stopcontact dan waarop de ontvanger is aangesloten.
- Raadpleeg de dealer of een ervaren radio/tv-technicus voor hulp.

## CE-verklaring van conformiteit

Hierbij verklaart Acer Inc. dat deze lcd-monitor voldoet aan de essentiële vereisten en andere relevante bepalingen van de EMC-richtlijn 2014/30/EU, laagspanningsrichtlijn 2014/35/EU en RoHS-richtlijn 2011/65/EU en richtlijn 2009/125/EG betreffende de totstandbrenging van een kader voor het vaststellen van eisen inzake ecologisch ontwerp voor energiereletere producten.

## Kennisgeving:

Om schade aan de monitor te voorkomen dient u deze niet aan de voet op te tillen.

## Kennisgeving: Afgeschermd kabels

Alle verbindingen met andere computers moeten worden gemaakt met afgeschermd kabels om te voldoen aan de EMC-voorschriften.

## Kennisgeving: Randapparatuur

Alleen randapparatuur (input/output-apparaten, terminals, printers, enz.) gecertificeerd om te voldoen aan de klasse B-limieten, kan worden aangesloten op deze apparatuur. Werken met niet-gecertificeerde randapparatuur kan leiden tot interferentie met radio- en tv-ontvangst.

## Waarschuwing

Wijzigingen of aanpassingen die niet uitdrukkelijk zijn goedgekeurd door de fabrikant kunnen tot gevolg hebben dat het recht van de gebruiker om dit product te gebruiken, dat wordt toegekend door de Federal Communications Commission (FCC), vervalt.

## Gebruiksomstandigheden

Dit apparaat voldoet aan deel 15 van de FCC-voorschriften. Gebruik is onderhevig aan de volgende twee voorwaarden: (1) dit apparaat mag geen schadelijke interferentie veroorzaken, en (2) dit apparaat moet elke ontvangen interferentie accepteren, inclusief interferentie die een ongewenste werking kan veroorzaken.

## Kennisgeving: Canadese gebruikers

Dit digitale apparaat van klasse B voldoet aan de Canadese norm ICES-003.

## Remarque à l'intention des utilisateurs canadiens


Cet appareil numérique de la classe B est conforme à la norme NMB-003 du Canada.

## Afvoer van afgedankte apparatuur door gebruikers in particuliere huishoudens in de Europese Unie



Dit symbool op het product of op de verpakking geeft aan dat dit product niet mag worden afgevoerd met het overige huisvuil. Het is uw verantwoordelijkheid om uw afgedankte apparatuur aan te bieden bij een daartoe aangewezen inzamelpunt voor recycling van afgedankte elektrische en elektronische apparatuur. Gescheiden inzamelen en recyclen van uw afgedankte apparatuur helpt natuurlijke hulpbronnen te sparen en garandeert dat uw apparatuur wordt gerecycled op een manier die niet schadelijk is voor de menselijke gezondheid en het milieu. Meer informatie over waar u afgedankte apparatuur voor recycling kunt aanbieden kunt u opvragen bij de gemeente, de relevante dienst voor de verwerking van huishoudelijk afval of de winkel waar u het product hebt gekocht.

## SPECIFICATIE

Lcd-paneel	Aandrijfsysteem	TFT lcd-kleurenscherm	
	Grootte	35"W (88,9 cm)	
	Pixelgrootte	0,24 mm (H) x 0,24 mm (V)	
	Helderheid	Native: 600 cd/m <sup>2</sup> ; HDR-modus: 1000 cd/m <sup>2</sup> (piek)	
	Contrast	2500:1	
	Kijkhoek	178° (H) 178° (V) (CR=10)	
	Reactietijd	2 ms (GTG)	
	Type beeldscherm	VA	
	Horizontale frequentie	HDMI: 30 - 150 kHz DP: 88 - 282 kHz	
Verticale frequentie	HDMI: 24 - 100 Hz DP: 24 - 180 Hz		
Kleuren	16,7 miljoen		
Dot Clock	HDMI 2.0: 543,5 MHz DP 1.4: 1017 MHz DP 1.4: 1056 MHz (DP-overklokfunctie = ON)		
Maximale resolutie	HDMI: 3440 x 1440 @ 100 Hz DP: 3440 x 1440 @ 180 Hz DP: 3440 x 1440 @ 200 Hz (Overklokmodus alleen voor G-Sync)		
Plug-and-play	VESA DDCCI/DDC2B		
Energie-efficiëntieklasse	D		
*Jaarlijks energieverbruik	145 (kWh) (voor een HDMI-model)		
Stroomverbruik (bij 200 nits)	Aan	64,1 W (standaard)	
	Stand-by	0,50 W (standaard)	
	Uit	0,50 W (standaard)	
Ingangs aansluiting	HDMI DP		
Inkomend videosignaal	HDMI-sigitaal DP		
Luidsprekers	4 W x 2		
USB	USB 3.0 x 3		
Maximale schermgrootte	Horizontaal: 819,408 mm Verticaal: 345,888 mm		
Voedingsbron	20V  14A		
Milieuoverwegingen	Gebruikstemperatuur: 0 tot 40 °C Opslagtemperatuur: -20 tot 60 °C Vochtigheid bij gebruik: 20 tot 80%		
Afmetingen	833 (B) x 450,5 - 580,5 (H) x 309 (D) mm		
Gewicht	13,39 kg (netto)		
Specificaties mechanisme	Kantelen: -5° tot +25° (alleen op het hoogste punt is 25 graden naar achteren kantelen mogelijk) Zwenken: -30° tot +30° Hoogteverstelling: 0 tot 130 mm Draaien: Nee Afreembare voet: Ja		
Knoppen op de behuizing	Schakelaars/knoppen	Aan-uitknop Sneltoets 1 Sneltoets 2	Ingang 5 navigatieknop
	Functies	Helderheid Contrast Blauw licht Dark Boost Reactie verlichting SDR Variable Backlight Auto. Helderheid Auto. Zwartniveau Relatieve gamma SDR Colors sRGB DP YCbCr sRGB HDMI YCbCr sRGB Kleurtemp. Volume Overdrive Overklokken	Richtpunt Taal Time-out OSD Transparantie Vernieuwingst. OSD vergrendelen Ingang Omgevingslicht Sneltoetswijziging Breedbeeldmodus Diepe slaap Snelstartmodus Uitschakelen USB-opladen Schermformatie Alle inst. resetten Afsluiten
Alle specificaties kunnen zonder voorafgaande kennisgeving worden gewijzigd.			

Zoek handleidingen en andere documenten voor uw Acer-product op de officiële ondersteuningswebsite van Acer.

\*Jaarlijks energieverbruik wordt berekend op basis van een standaardstroomverbruik, 4 uur per dag, 365 dagen per jaar.

# Skrócona instrukcja uruchamiania monitora LCD firmy Acer (QSG)

## Ważne instrukcje dotyczące bezpieczeństwa

Należy uważnie przeczytać poniższe instrukcje.

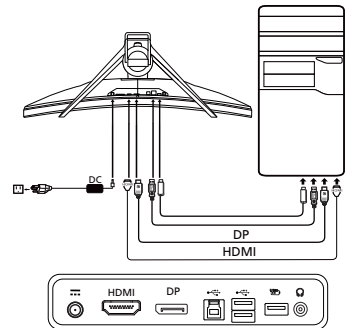
- W celu wyczyszczenia ekranu monitora LCD: Należy upewnić się, czy monitor przystosowany jest do zasilania prądem przemiennym dostępnym w miejscu użytkownika.
  - Wyłączyć monitor LCD i odłączyć przewód zasilający.
  - Spryskać szmatką środkiem czyszczącym bez zawartości rozpuszczalnika i delikatnie wyczyścić ekran.
  - NIE NALEŻY BEZPOŚREDNIO SPRYSKIWAĆ LUB ZWILŻAĆ JAKIKOLWIEK PŁYNEM EKRANU LUB OBUDOWY.**
  - NIE STOSOWAĆ ŚRODKÓW CZYSZCZĄCYCH NA BAZIE AMONIAKU LUB ALKOHOLU DO CZYSZCZENIA EKRANU LCD LUB OBUDOWY.**
  - Firma Acer nie będzie ponosić żadnej odpowiedzialności za szkody wynikłe z używania środków czyszczących na bazie amoniaku lub alkoholu.
- Nie umieszczać monitora LCD w pobliżu okna. Wystawienie monitora na działanie deszczu, wilgoci lub światła słonecznego może go poważnie uszkodzić.
- Nie wywierać nacisku na ekran LCD. Nadmierny nacisk może spowodować trwałe uszkodzenie wyświetlacza.
- Nie zdejmować pokrywy ani nie dokonywać prób samodzielnej naprawy urządzenia. Wszelkie czynności serwisowe powinny być wykonywane wyłącznie przez upoważnionego do tego serwisanta.
- Monitor LCD należy przechowywać w pomieszczeniu o temperaturze od -20 do 60°C (od -4 do 140°F). Przechowywanie monitora LCD w temperaturze poza tym zakresem może spowodować trwałe uszkodzenie.
- Natychmiast odłączyć monitor i wezwać serwisanta, jeśli wystąpią jakiegokolwiek z następujących okoliczności:
  - Kabel sygnałowy z monitora do komputera jest postrzępiony lub uszkodzony.
  - Na monitor LCD rozlał się płyn lub monitor jest wystawiony na działanie deszczu.
  - Monitor LCD lub obudowa są uszkodzone.

## Montaż monitora na podstawie

- Wyjąć podstawę monitora z opakowania i umieścić ją na stabilnej i równej powierzchni.
- Wyjąć monitor z opakowania.
- Zamontować ramię podpórki monitora na podstawie.
  - Upewnić się, że podstawa jest zablokowana na ramieniu. (dotyczy wybranych modeli)
  - Przytwierdzić podstawę do ramienia podpórki monitora, dokręcając śrubę za pomocą zintegrowanego wypustu lub odpowiedniej monety. (dotyczy wybranych modeli)

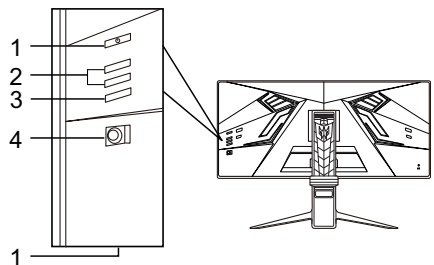
## Podłączanie monitora do komputera

- Wyłączyć monitor i odłączyć przewód zasilający komputera.
- 2-1 Podłączenie kabla HDMI
  - Upewnić się, że zarówno monitor, jak i komputer jest wyłączony.
  - Podłączyć kabel HDMI do komputera. Korzystając z HDMI, możesz nacisnąć dowolny przycisk (poza przyciskiem zasilania) w celu włączenia źródła portu wejścia/wyjścia.
- 2-2 Podłączenie kabla DP (gniazdo domyślne)
  - Upewnić się, że zarówno monitor, jak i komputer jest wyłączony.
  - Podłączyć kabel DP do komputera.
- Włożyć przewód zasilający monitora do gniazda zasilania z tyłu monitora.
- Podłączyć przewody zasilające komputera i monitora do znajdującego się w pobliżu gniazdka elektrycznego.
- Wybrać opcję Wł./Wył. Ładowania przez USB po rozładowaniu, aby włączyć/wyłączyć tę funkcję.



## Zewnętrzne elementy sterujące

Nr	Nazwa	Opis
1	Przycisk/wskaźnik zasilania	Włącza/wyłącza monitor. Niebieski kolor wskazuje stan zasilania. Bursztynowy kolor wskazuje tryb czuwania/oszczędzania energii.
2	Klawisze szybkiego dostępu 1, 2	Aktywują funkcje klawiszy szybkiego dostępu definiowanych przez użytkownika.
3	Przycisk wejścia	Naciskać, by zmieniać źródła sygnału wejściowego.
4	Przycisk Navi/OK	Aktywuje menu OSD, a po jego włączeniu służy jako klawisz wyboru żądanej funkcji. Jego ponowne naciśnięcie umożliwia dokonanie wyboru.



## Regulacje i informacje dotyczące bezpieczeństwa

### Informacja o zgodności z przepisami FCC

Niniejszy sprzęt został przetestowany i stwierdzono jego zgodność z normami dotyczącymi urządzeń cyfrowych Klasy B, zgodnie z Częścią 15 przepisów FCC. Ograniczenia te mają zapewnić właściwą ochronę przed szkodliwymi zakłóceniami w pomieszczeniach mieszkalnych. Niniejsze urządzenie wytwarza, wykorzystuje i może emitować energię o częstotliwościach radiowych i jeżeli nie zostało ono zainstalowane oraz nie jest użytkowane zgodnie z instrukcją, może powodować szkodliwe zakłócenia komunikacji radiowej. Jednak nie ma żadnej gwarancji, że zakłócenia te nie wystąpią w konkretnym miejscu. Jeżeli urządzenie powoduje szkodliwe zakłócenia w odbiorze radiowym lub telewizyjnym, które można stwierdzić, wyłączając i włączając urządzenie, zachęca się użytkownika do podjęcia próby usunięcia zakłóceń, korzystając z co najmniej jednego z poniższych sposobów:

- Zmiana położenia anteny odbiorczej.
- Zwiększenie odległości między urządzeniem a odbiornikiem.
- Podłączenie urządzenia do gniazdka elektrycznego znajdującego się w innym obwodzie elektrycznym niż gniazdko, do którego podłączony jest odbiornik.
- Skonsultowanie się ze sprzedawcą lub doświadczonym technikiem radio-telewizyjnym.

### Deklaracja zgodności CE

Firma Acer Inc. niniejszym oświadcza, że monitor LCD spełnia zasadnicze wymogi i inne stosowne postanowienia dyrektywy kompatybilności elektromagnetycznej 2014/30/UE, dyrektywy niskonapięciowej 2014/35/UE oraz dyrektywy RoHS 2011/65/UE i dyrektywy 2009/125/WE w odniesieniu do ustanowienia ram ustalania wymogów dotyczących ekologicznego projektowania produktów związanych z energią.

### Uwaga:

W celu uniknięcia uszkodzenia monitora nie należy go podnosić za podstawę.

### Uwaga: Przewody ekranowane

W celu zachowania zgodności z przepisami o kompatybilności elektromagnetycznej urządzenie można podłączać do innych urządzeń komputerowych jedynie za pomocą przewodów ekranowanych.

### Uwaga: Urządzenia peryferyjne

Do tego urządzenia można podłączać jedynie urządzenia peryferyjne (urządzenia wejścia/wyjścia, terminale, drukarki, itp.) mające certyfikat zgodności z normami dla urządzeń Klasy B. Praca z urządzeniami peryferyjnymi nieposiadającymi odpowiedniego certyfikatu prawdopodobnie spowoduje zakłócenia w odbiorze radiowym i telewizyjnym.

### Przeestroga

Zmiany lub modyfikacje niezatwierdzone w sposób wyraźny przez producenta mogą spowodować unieważnienie prawa użytkownika, nadanego przez Federalną Komisję Łączności, do korzystania z niniejszego produktu.

### Warunki pracy

Niniejsze urządzenie jest zgodne z wymogami zawartymi w Części 15 przepisów FCC. Jego działanie musi spełniać dwa następujące warunki: (1) urządzenie nie może powodować szkodliwych zakłóceń; (2) urządzenie musi być zdolne do przyjmowania dowolnych zakłóceń, w tym zakłóceń mogących negatywnie wpływać na jego działanie.

### Uwaga: Użytkownicy z Kanady

Niniejsze urządzenie cyfrowe klasy B spełnia kanadyjską normę ICES-003.

### Remarque à l'intention des utilisateurs canadiens

Cet appareil numérique de la classe B est conforme à la norme NMB-003 du Canada.

### Unieszkodliwianie zużytego sprzętu przez użytkowników w prywatnym gospodarstwie domowym w Unii Europejskiej



Ten symbol na produkcie lub na jego opakowaniu oznacza, że niniejszego produktu nie należy wyrzucać z innymi odpadami gospodarstwa domowego. Obowiązkiem użytkownika jest zutilizowanie zużytego sprzętu przez przekazanie go do wyznaczonego punktu odbioru w celu recyklingu zużytego sprzętu elektrycznego i elektronicznego. Osobny odbiór i recykling zużytego sprzętu podczas utylizacji pomogą zachować zasoby naturalne i zagwarantować ponowne przetworzenie sprzętu w sposób, który chroni zdrowie ludzkie i środowisko naturalne. Aby uzyskać więcej informacji na temat miejsc, w których można pozostawić zużyty sprzęt do recyklingu, należy skontaktować się z lokalnym urzędem miasta, przedsiębiorstwem utylizacji odpadów z gospodarstwa domowego lub sklepem, w którym produkt został zakupiony.

# DANE TECHNICZNE

Panel LCD	Układ napędowy	Kolorowy wyświetlacz LCD TFT	
	Rozmiar	35" W (88,9 cm)	
	Rozstaw pikseli	0,24 mm (w poziomie) × 0,24 mm (w pionie)	
	Jasność	Oryginalna: 600 cd/m <sup>2</sup> ; tryb HDR: 1000 cd/m <sup>2</sup> (szczytowa)	
	Kontrast	2500:1	
	Kąt widzenia	178° (w poziomie) 178° (w pionie) (CR=10)	
	Czas reakcji	2 ms (GTG)	
	Typ panelu	VA	
	Częstotliwość pozioma	HDMI: 30-150 KHz DP: 88-282 KHz	
Częstotliwość pionowa	HDMI: 24-100 Hz DP: 24-188 Hz		
Wyświetlane kolory	16,7 miliona		
Zegar punktowy	HDMI 2.0: 543,5 MHz DP 1.4: 1017 MHz DP 1.4: 1056 MHz (włączona funkcja DP-Over Clock)		
Maksymalna rozdzielczość	HDMI: 3440 x 1440 @ 100 Hz DP: 3440 x 1440 @ 180 Hz DP: 3440 x 1440 @ 200 Hz (Tryb przetaktowania tylko dla G-Sync)		
Plug & Play	VESA DDC/CI/DDC2B		
Klasa efektywności energetycznej	D		
* Roczny pobór energii	145 (kWh) (dotyczy modelu z wejściem HDMI)		
Pobór mocy (przy 200 nitach)	Tryb włączenia	64,1 W (typowy)	
	Tryb uśpienia	0,50 W (typowy)	
	Tryb wyłączenia	0,50 W (typowy)	
Złącze wejściowe	HDMI DP		
Wejściowy sygnał wideo	HDMI DP		
Głośniki	4 W x 2		
USB	USB 3.0 x 3		
Maksymalny rozmiar ekranu	W poziomie: 819,408 mm W pionie: 345,888 mm		
Źródło zasilania	20V --- 14A		
Kwestie środowiskowe	Temperatura pracy: Od 0° do 40°C Temperatura przechowywania: Od -20° do 60°C Wilgotność otoczenia podczas pracy: Od 20% do 80%		
Wymiary	833 (szer.) × 450,5 ~ 580,5 (wys.) × 309 (gl.) mm		
Waga:	13,39 kg (netto)		
Specyfikacje mechanizmów	Pochylenie: Od -5° do +25° (tylko w najwyższym punkcie dostępne jest 25 stopni odchylenia dla kąta wzniesienia) Obrót: Od -30° do +30° Regulacja wysokości: Od 0 mm do 130 mm Obrót w pionie: Nie Zdemontowalna podpórka: Tak		
Zewnętrzne elementy sterujące	Przełącznik/przyciski	Przycisk zasilania Klawisz szybkiego dostępu 1 Klawisz szybkiego dostępu 2	Wejście Klawisz Navi 5
	Funkcje	Jasność Kontrast Nieb. światło Dark Boost Reakcja podświetlenia SDR Variable Backlight Autom. jasność Autom. poziom czerni Wzgl. wartość gamma SDR Colors sRGB DP YCbCr sRGB HDMI YCbCr sRGB Temp. koloru Głośność Over Drive Over Clock	Cel Język Wyłączenie OSD Przezroczystość Częst. odśwież. Blokada OSD Wejście Światło otocz. Przypis. przyc. skrótu Tryb szeroki Głębokie uśpienie Tryb szyb. uruch. Ładowania przez USB po rozładowaniu Wyświetlanie informacji Resetuj wszystkie ustaw. Zakończ
Wszystkie dane techniczne mogą ulec zmianie bez powiadomienia.			

Instrukcje i inne dokumenty dotyczące produktu firmy Acer można znaleźć w oficjalnej witrynie pomocy technicznej firmy Acer.

\* Roczny pobór energii jest obliczany na podstawie typowego poboru energii przez 4 godziny dziennie, 365 dni w roku.

# Manual de início rápido (QSG) do monitor LCD da Acer

## Instruções de segurança importantes

Leia atentamente as instruções que se seguem.

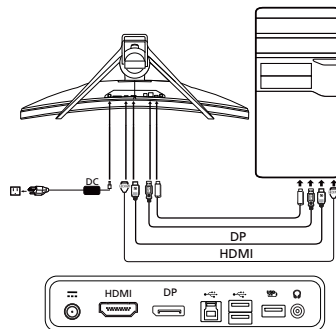
- Para limpar o ecrã do monitor LCD: certifique-se de que o monitor tem a potência elétrica necessária para funcionar com a alimentação de CA disponível na sua localização.
  - Desligue o monitor LCD e retire o cabo de alimentação da corrente.
  - Pulverize uma solução de limpeza não-solvente num pano e limpe cuidadosamente o ecrã.
  - NUNCA PULVERIZAR OU DEITAR LÍQUIDO DIRETAMENTE NO ECRÃ OU TAMPA.**
  - NÃO USAR PRODUTOS DE LIMPEZA COM AMONÍACO OU À BASE DE ÁLCOOL NO ECRÃ LCD OU NA TAMPA.**
  - A Acer não se responsabiliza por danos resultantes do uso de produtos de limpeza com amoníaco ou à base de álcool.
- Não coloque o monitor LCD perto de uma janela. Expor o monitor a chuva, humidade ou luz solar pode provocar danos graves no mesmo.
- Não exerça pressão sobre o ecrã LCD. A pressão excessiva pode provocar danos permanentes no ecrã.
- Não remova a tampa nem tente efetuar reparações nesta unidade por sua conta. Apenas um técnico autorizado deve efetuar reparações de qualquer tipo.
- Guarde o monitor LCD numa divisão com uma temperatura entre os -20 e os 60 °C (-4 a 140 °F). Guardar o monitor LCD numa divisão fora deste intervalo de temperatura pode provocar danos permanentes.
- Perante qualquer uma das situações abaixo, desligue de imediato o monitor da alimentação e contacte um técnico autorizado:
  - O cabo de sinal Monitor para PC está desgastado ou danificado.
  - Derrame de líquidos no monitor LCD ou o monitor está exposto a chuva.
  - Monitor LCD ou tampa danificados.

## Instalar o monitor na base

- Retire a base do monitor da embalagem e coloque-a num espaço de trabalho estável e nivelado.
- Retire o monitor da embalagem.
- Instale o braço de suporte do monitor na base.
  - Certifique-se de que a base está encaixada no braço de suporte do monitor. (disponível para modelos selecionados)
  - Fixe a base no braço de suporte do monitor apertando o parafuso com uma patilha ou uma moeda adequada. (disponível para modelos selecionados)

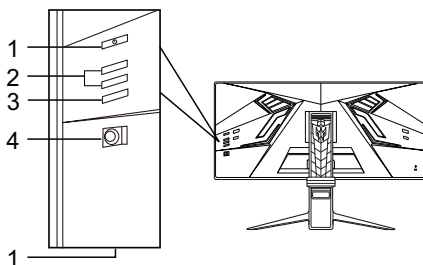
## Ligar o monitor a um computador

- Desligue o monitor e desligue o cabo de alimentação do seu computador.
- 2-1 Ligue o cabo HDMI
  - Certifique-se de que o monitor e o computador estão desligados.
  - Ligue o cabo HDMI ao computador.  
Ao utilizar HDMI, pode premir qualquer botão, exceto o botão de alimentação, para ativar a fonte da porta I/O.
- 2-2 Ligue o cabo DP (Entrada predefinida)
  - Certifique-se de que o monitor e o computador estão desligados.
  - Ligue o cabo DP ao computador.
- Introduza o cabo de alimentação do monitor na porta de alimentação situada na parte posterior do mesmo.
- Ligue os cabos de alimentação do computador e do monitor a uma tomada elétrica nas proximidades.
- Opte por LIGAR/DESLIGAR o Carregamento USB no modo desligado para ativar/desativar esta função.



## Controlos externos

Número	Item	Descrição
1	Botão/indicador de alimentação	Liga/desliga o monitor. Azul indica alimentação ligada. Âmbar indica modo de espera/poupança energética.
2	Tecla de atalho 1, 2 botões	Prima para ativar a função da tecla de atalho definida pelo utilizador.
3	Botão Input	Prima para alternar entre entradas.
4	Botão Navi/OK	Prima para ativar o menu OSD. Em seguida, utilize-o como tecla direcional para selecionar a função desejada. Prima-o novamente para aceitar a seleção.





## Regulamentações e avisos de segurança

### Aviso da FCC

Este dispositivo foi testado e considera-se estar em conformidade com os limites estabelecidos para um dispositivo digital de Classe B, estando de acordo com a secção 15 das normas da FCC. Estes limites foram concebidos para oferecer uma proteção razoável contra interferências indesejáveis numa instalação residencial. Este equipamento gera, utiliza e pode emitir radiofrequências e, se não for instalado e utilizado de acordo com as instruções, pode causar interferências nocivas nas comunicações por rádio.

No entanto, não existe qualquer garantia de que a interferência não ocorra numa instalação particular. Se este dispositivo provocar interferências nocivas na receção de rádio ou televisão, facto que pode determinar ligando e desligando o dispositivo, recomenda-se que o utilizador corrija as mesmas, recorrendo a uma ou mais das seguintes medidas:

- Reorientar ou reposicionar a antena recetora.
- Aumentar a distância entre o dispositivo e o recetor.
- Ligar o dispositivo a uma tomada de parede num circuito diferente daquele ao qual o recetor está ligado.
- Consultar o fornecedor ou um técnico de rádio/televisão experiente para obter ajuda.

### Declaração de conformidade da CE

Pelo presente documento, a Acer Inc. declara que este monitor LCD se encontra em conformidade com os requisitos essenciais e outras disposições relevantes da Diretiva relativa à EMC (Compatibilidade Eletromagnética) 2014/30/UE, da Diretiva para Equipamentos de Baixa Tensão 2014/35/UE, da Diretiva relativa à RoHS (Restrição de Certas Substâncias Perigosas) 2011/65/UE e da Diretiva 2009/125/CE com vista a estabelecer um quadro de referência para a definição dos requisitos de ecodesign para produtos relacionados com o consumo energético.

### Aviso:

Para evitar danificar o monitor, não o levante pela base.

### Aviso: cabos blindados

É obrigatório de estabelecer todas as ligações a outros dispositivos informáticos através de cabos blindados, de forma a manter a conformidade com as regulamentações da EMC.

### Aviso: dispositivos periféricos

Só pode ligar periféricos (dispositivos de entrada/saída, terminais, impressoras, etc.) certificados em conformidade com os limites da Classe B a este equipamento. É provável que a utilização com periféricos não-certificados provoque interferências na receção de rádio e televisão.

### Atenção

Quaisquer alterações ou modificações que não sejam expressamente aprovadas pelo fabricante podem anular a autoridade do utilizador, concedida pela FCC (Federal Communications Commission – Comissão Federal de Comunicações), no que respeita à utilização deste produto.

### Condições de funcionamento

Este dispositivo está em conformidade com a Parte 15 das normas de FCC. O funcionamento está sujeito às duas condições que se seguem: (1) este dispositivo não pode provocar interferências nocivas e (2) este dispositivo tem de aceitar quaisquer interferências recebidas, incluindo interferências que possam provocar um funcionamento indesejado.

### Aviso: utilizadores no Canadá

Este aparelho digital de Classe B cumpre a ICES-003 canadiana.

### Remarque à l'intention des utilisateurs canadiens

Cet appareil numérique de la classe B est conforme à la norme NMB-003 du Canada.

### Eliminação de resíduos de equipamentos por parte de utilizadores particulares na União Europeia



Este símbolo no produto ou na respetiva embalagem indica que não pode eliminar este produto com o seu restante lixo doméstico. Em vez disso, é da sua responsabilidade eliminar resíduos de equipamentos entregando-os num ponto de recolha designado com vista à reciclagem de resíduos de equipamentos elétricos e eletrónicos. A recolha e a reciclagem em separado dos seus resíduos de equipamentos aquando da eliminação ajuda a conservar os recursos naturais. Além disso, serve como garantia de que a reciclagem é feita de forma a proteger a saúde humana e o ambiente. Para mais informações sobre onde pode entregar os seus resíduos de equipamentos para reciclagem, contacte o seu município, os serviços municipalizados de recolha de resíduos de equipamentos ou a loja onde comprou o produto.

## ESPECIFICAÇÕES

Painel LCD	Sistema de condução	LCD TFT a cores	
	Tamanho	35"W (88,9 cm)	
	Distância entre pixels	0,24 mm (H) x 0,24 mm (V)	
	Luminosidade	Nativa: 600 cd/m <sup>2</sup> ; Modo HDR: 1000 cd/m <sup>2</sup> (máximo)	
	Contraste	2500:1	
	Ângulo visível	178° (H) 178° (V) (CR=10)	
	Tempo de resposta	2 ms (GTG)	
	Tipo de painel	VA	
	Frequência horizontal	HDMI: 30-150 KHz DP: 88-282 KHz	
Frequência vertical	HDMI: 24-100 Hz DP: 24-180 Hz		
Cores do ecrã		16,7 milhões	
Frequência de pontos		HDMI 2.0: 543,5 MHz DP 1.4: 1017 MHz DP 1.4: 1056 MHz (DP-função de over clock = LIGADA)	
Resolução máxima		HDMI: 3440 x 1440 @ 100 Hz DP: 3440 x 1440 @ 180 Hz DP: 3440 x 1440 @ 200 Hz (Modo Overclocking apenas para G-Sync)	
Plug & Play		VESA DDCI/DDC2B	
Classe de eficiência energética		D	
*Consumo energético anual		145 (kWh) (nos modelos com entrada HDMI)	
Consumo de energia (a 200 cd/m <sup>2</sup> )	Ligado	64,1 W (habitual)	
	Modo de espera	0,50 W (habitual)	
	Desligado	0,50 W (habitual)	
Conector de entrada		HDMI DP	
Sinal de entrada de vídeo		Sinal HDMI DP	
Colunas		4 W x 2	
USB		USB 3.0 x 3	
Tamanho máximo do ecrã		Horizontal: 819,408 mm Vertical: 345,888 mm	
Alimentação		20V — 14A	
Considerações ambientais		Temperatura de funcionamento: 0° a 40°C Temperatura de armazenamento: -20° a 60°C Humidade de funcionamento: 20% a 80%	
Dimensões		833 (L) x 450,5 – 580,5 (A) x 309 (P) mm	
Peso (líquido)		13,39 kg (líquido)	
Especificações de mecanismos		Inclinação: entre -5° e +25° (só é possível disponibilizar 25° de reclinção para o ângulo de elevação no ponto mais elevado) Rotação: entre -30° e +30° Ajuste da altura: entre 0 e 130 mm Articulação: Não Apoio amovível: Sim	
Controlos externos	Comutador/botões	Botão de alimentação Tecla de atalho 1 Tecla de atalho 2	Input Tecla Navi 5
	Funções	Luminosidade Contraste Luz azul Dark Boost Resp. retroiluminação SDR Variable Backlight Brilho automático Niv. preto automático Gama relativo SDR Colors sRGB DP YCbCr sRGB HDMI YCbCr sRGB Temp. Cor Volume Over Drive Over Clock	Ponto de mira Idioma Tempo limite OSD Transparência Núm freq atualiz Bloquear OSD Entrada Luz ambiente Atribuição tecla atalho Modo Panorâmico Sono Profundo Modo início ráp. Carregamento USB no modo desligado Informações do ecrã Repor todas definições Sair
Todas as especificações estão sujeitas a alterações sem aviso prévio.			

Pode encontrar manuais e outra documentação sobre o seu produto Acer no website de suporte oficial da Acer.

\*O consumo energético anual é calculado utilizando o consumo energético habitual quatro horas por dia, 365 dias por ano.

# Краткое руководство пользователя ЖК-монитора Acer (QSG)

## Важные инструкции по технике безопасности

Внимательно прочтите следующие инструкции.

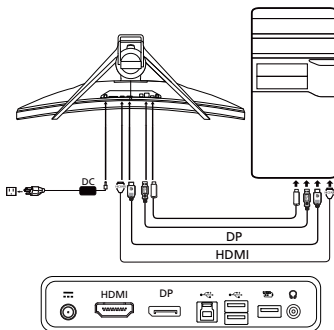
1. Чтобы очистить ЖК-монитор: Убедитесь, что расчетная мощность монитора подходит для работы от электросети переменного тока в вашем регионе.
  - Выключите ЖК-монитор и отсоедините шнур питания от сети.
  - Распылите на тряпку очищающий раствор, не содержащий растворителя, и осторожно протрите экран.
  - **ЗАПРЕЩАЕТСЯ РАЗБЫЗГИВАТЬ ИЛИ ПРОЛИВАТЬ ЛЮБЫЕ ЖИДКОСТИ НЕПОСРЕДСТВЕННО НА ЭКРАН ИЛИ КОРПУС.**
  - **ДЛЯ ЧИСТКИ ЖК-ДИСПЛЕЯ ИЛИ КОРПУСА НЕ ПРИМЕНЯЙТЕ НИКАКИЕ ЧИСТЯЩИЕ СРЕДСТВА НА ОСНОВЕ НАШАТЫРНОГО ИЛИ ЭТИЛОВОГО СПИРТА.**
  - Компания Acer не будет отвечать за повреждения, вызванные применением любых чистящих средств на основе нашатырного или этилового спирта.
2. Не размещайте ЖК-монитор рядом с окном. Дождь, влажность и солнечный свет могут серьезно повредить монитор.
3. Не давите на ЖК-экран. Чрезмерное давление может привести к неустраняемому повреждению дисплея.
4. Не снимайте крышку и не пытайтесь отремонтировать устройство самостоятельно. Техобслуживание любого рода должен проводить уполномоченный технический специалист.
5. Храните ЖК-монитор в помещении при температуре от -20° до 60° С. Хранение ЖК-монитора при температуре за пределами этого диапазона может привести к неустраняемому повреждению.
6. В любом из следующих случаев немедленно отключите монитор от сети и вызовите уполномоченного технического специалиста:
  - Сигнальный кабель монитор-ПК изношен или поврежден.
  - На ЖК-монитор была пролита жидкость, или он попал под дождь.
  - ЖК-монитор или корпус поврежден.

## Установка монитора на основание

1. Извлеките основание подставки монитора из упаковки и разместите его на ровной и устойчивой рабочей поверхности.
2. Извлеките монитор из упаковки.
3. Установите стойку монитора на основание.
  - Убедитесь, что основание зафиксировано на стойке монитора (не для всех моделей).
  - Закрепите основание на стойке монитора, повернув винт с помощью специального инструмента или подходящей монеты (не для всех моделей).

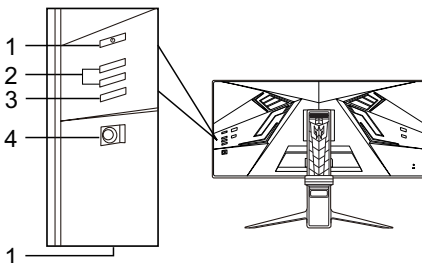
## Подключение монитора к компьютеру

1. Выключите монитор и отсоедините шнур питания компьютера от сети.
2. 2-1 Подключите HDMI-кабель
  - a. Убедитесь, что питание монитора и компьютера отключено.
  - b. Подключите HDMI-кабель к компьютеру.
3. Для запуска источника порта ввода-вывода во время использования HDMI нажмите любую кнопку, кроме кнопки питания.
- 2-2 Подключите DP-кабель (вход по умолчанию)
  - a. Убедитесь, что питание монитора и компьютера отключено.
  - b. Подключите DP-кабель к компьютеру.
3. Подключите кабель питания монитора к порту питания на задней панели устройства.
4. Подключите шнуры питания компьютера и монитора к электрической розетке.
5. Выберите «Зарядка через USB при включенном питании Вкл./Выкл.», чтобы включить/отключить функцию зарядки через USB при выключенном питании.



## Внешние элементы управления

№	Элемент	Описание
1	Кнопка/индикатор питания	Включение/выключение монитора. Синий цвет означает, что питание включено. Желтый цвет обозначает режим ожидания/энергосбережения.
2	Горячая клавиша 1, 2 кнопки	Нажмите, чтобы активировать функцию, заданную пользователем для горячей клавиши.
3	Кнопка входа	Нажмите для переключения источников входа.
4	Кнопка навигации/ОК	Нажмите, чтобы вызвать меню OSD, а затем используйте ее для перехода к нужной функции. Чтобы выбрать элемент, нажмите на кнопку снова.



## Правила и примечания по технике безопасности

### Примечание FCC

Данное устройство было протестировано и признано соответствующим ограничениям для цифрового устройства класса В, в соответствии с частью 15 правил FCC. Эти ограничения разработаны для обеспечения приемлемой защиты от вредных помех при установке в жилых помещениях. Данное устройство генерирует, использует и может излучать радиочастотную энергию. Если оно установлено и используется не в соответствии с инструкциями, оно может вызывать вредные помехи при радиосвязи. Однако нет гарантии, что помехи не будут возникать в каждом конкретном случае. Если данное устройство вызывает вредные помехи для приема радио- и телевизионного сигнала, что можно определить, включив и выключив устройство, пользователю рекомендуется попытаться устранить помехи, выполнив одно или несколько из следующих действий:

- Переориентируйте или переместите приемную антенну.
- Увеличьте расстояние между устройством и приемником.
- Подключите устройство к розетке в цепи, отличной от той, к которой подключен приемник.
- Обратитесь за помощью к дилеру или опытному специалисту по радио-/телевизионному оборудованию.

### Декларация соответствия CE

Настоящим компания Acer Inc., заявляет, что данный ЖК-монитор соответствует основным требованиям и другим соответствующим положениям Директивы по электромагнитной совместимости 2014/30/EU, Директивы по низковольтному оборудованию 2014/35/EU, Директивы об ограничении использования некоторых вредных веществ в электрическом и электронном оборудовании 2011/65/EU и Директивы 2009/125/EC относительно создания основы для установки требований к экодизайну энергосберегающего продукта.

### Примечание:

Чтобы не повредить монитор, не поднимайте его за основание.

### Примечание: Экранированные кабели

Все подключения к другим вычислительным устройствам должны производиться с помощью экранированных кабелей в соответствии с правилами электромагнитной совместимости.

### Примечание:

Монитор Acer предназначен для воспроизведения видеосигнала и визуального отображения информации, полученной с электронных носителей.

### Примечание: Периферийные устройства

К данному оборудованию можно подключать только периферийные устройства (устройства ввода/вывода, оконечные устройства, принтеры и т. д.), сертифицированные на соответствие ограничениям класса В. Использование несертифицированных периферийных устройств может привести к возникновению помех в приеме радио- и телевизионных сигналов.

### Предупреждение

Изменения или модификации, не одобренные производителем, могут привести к лишению пользователя полномочий на эксплуатацию данного устройства, предоставленных Федеральной комиссией по средствам коммуникаций.

### Условия эксплуатации

Данное устройство соответствует требованиям части 15 правил FCC. Эксплуатация допускается при соблюдении следующих двух условий: (1) данное устройство не должно создавать вредных помех, и (2) данное устройство может принимать любые помехи, включая помехи, которые могут препятствовать нормальной эксплуатации.

### Примечание: Для пользователей в Канаде

Данное цифровое устройство класса В соответствует канадскому стандарту ICES-003.

### Remarque à l'intention des utilisateurs canadiens


Cet appareil numérique de la classe B est conforme à la norme NMB-003 du Canada.

### Утилизация отслужившего оборудования пользователями из частных домов в странах Европейского Союза



Этот символ на устройстве или упаковке означает, что данное устройство нельзя утилизировать вместе с другими бытовыми отходами. Вместо этого необходимо сдать отслужившее устройство в специальный пункт приема для утилизации электрического и электронного оборудования. Отдельный сбор и переработка отслужившего оборудования во время утилизации поможет сберечь природные ресурсы и обеспечить переработку таким образом, чтобы защитить здоровье человека и окружающую среду. Для получения более подробной информации о том, куда можно сдать отслужившее оборудование для утилизации, обратитесь в местный орган городского управления, службу сбора бытовых отходов или в магазин, где было приобретено устройство.

# Спецификации

ЖК-панель	Управляющее устройство	Цветной TFT ЖК-дисплей	
	Размер	35" W (88,9 см)	
	Шаг пикселя	0,24 мм (Г) x 0,24 мм (В)	
	Яркость	Базовая: 600 кд/м <sup>2</sup> ; режим HDR: 1000 кд/м <sup>2</sup> (пик)	
	Контрастность	2500:1	
	Угол обзора	178° (Г) 178° (В) (CR=10)	
	Время отклика	2 мс (GTG)	
	Тип панели	VA	
	Частота по горизонтали	HDMI: 30-150 КГц DP: 88-282 КГц	
Частота по вертикали	HDMI: 24-100 Гц DP: 24-180 Гц		
Цвета отображения	16,7 млн		
Синхросигнал для воспроизведения изображений на растровом дисплее	HDMI 2.0: 543,5 МГц DP 1.4: 1017 МГц DP 1.4: 1056 МГц (функция разгона DP = вкл.)		
Максимальное разрешение	HDMI: 3440 x 1440 при 60 Гц DP: 3440 x 1440 при 180 Гц DP: 3440 x 1440 при 200 Гц (Режим разгона только для G-Sync)		
Plug & Play	VESA DDCCI/DDC2B		
Класс энергопотребления	D		
*Годовое энергопотребление	145 (кВтч) (для модели с HDMI-входом)		
Потребляемая мощность (при яркости 200 нитов)	Во включенном состоянии	64,1 Вт (тип.)	
	Спящий режим	0,50 Вт (тип.)	
	В выключенном состоянии	0,50 Вт (тип.)	
Входной разъем	HDMI DP		
Входной видеосигнал	Сигнал HDMI DP		
Динамики	4 W x 2		
USB	USB 3.0 x 3		
Максимальный размер экрана	По горизонтали: 819,408 мм По вертикали: 345,888 мм		
Источник питания	20V  14A		
Внешние условия	Рабочая температура: От 0° до 40°C Температура хранения: От -20° до 60°C Рабочая влажность: От 20% до 80%		
Габариты	833 (Ш) x 450,5 ~ 580,5 (В) x 309 (Г) мм		
Вес (нетто)	13,39 кг (нетто)		
Спецификации механизмов	Угол наклона: От -5° до +25° (наклон 25 градусов возможен только в самой высокой точке подставки) Угол поворота: От -30° до +30° Регулировка по высоте: от 0 мм до 130 мм Вращение: Нет Съемная подставка: Есть		
Внешние элементы управления	Переключатели/кнопки	Кнопка питания Горячая клавиша 1 Горячая клавиша 2	Вход 5 клавиш навигации
	Функции	Яркость Контрастность Синий свет Dark Boost Отклик подсветки SDR Variable Backlight Автояркость Авто уровень черного Относительная гамма SDR Colors sRGB DP YCbCr sRGB HDMI YCbCr sRGB Цвет темп. Громкость Разгон Розгон	Целевая точка Язык Вр. отобр. Меню Прозрачность Зн. частоты обн. Блокировка меню Вход Условия освещ. Горячие клавиши Широкоэк.реж. Глубокий сон Реж. быст. зап. Зарядка через USB при выключенном питании Информация о мониторе Сброс всех настроек Выход
Все спецификации могут быть изменены без предварительного уведомления.			

Руководства и другие документы для вашего продукта Acer можно найти на официальном веб-сайте технической поддержки Acer.

\* Годовое энергопотребление рассчитывается при использовании среднего энергопотребления в течение 4 часов в день 365 дней в году.

## Snabbguide till LCD-skärm från Acer (QSG)

### Viktiga säkerhetsanvisningar

Läs igenom följande anvisningar noga.

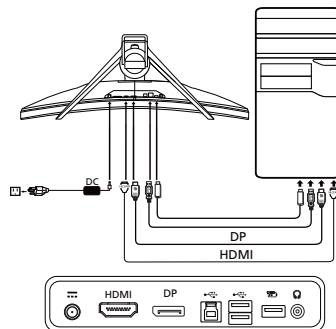
- Så här rengör du LCD-skärmen: Se till att skärmen har rätt elektrisk märkning för din region.
  - Stäng av LCD-skärmen och dra ur nätsladden.
  - Spruta rengöringsmedel (inte lösningsmedel) på en trasa och rengör skärmen försiktigt.
  - SPRUTA ELLER HÅLL ALDRIG VÄTSKA DIREKT PÅ SKÄRMEN ELLER HÖLJET.**
  - ANVÄND INTE AMMONIAK- ELLER ALKOHOLBASERADE RENGÖRINGSMEDEL PÅ LCD-SKÄRMEN ELLER HÖLJET.**
  - Acer ansvarar inte för skador som uppstår till följd av användning av ammoniak- eller alkoholbaserade rengöringsmedel.
- Placera inte LCD-skärmen nära ett fönster. Om skärmen utsätts för regn, fukt eller solljus kan det orsaka allvarliga skador på den.
- Tryck inte på LCD-skärmen. Hårt tryck kan orsaka permanenta skador på skärmen.
- Ta inte av höljet och försök inte att själv utföra service på enheten. En behörig tekniker bör utföra alla typer av servicearbete.
- Placera LCD-skärmen i ett rum som har en temperatur på mellan -20° och 60° C. Om temperaturen ligger utanför det här intervallet kan permanenta skador uppstå på LCD-skärmen.
- Koppla bort skärmen omedelbart och ring en behörig tekniker i följande fall:
  - Om signalkabeln mellan skärm och dator är nött eller skadad.
  - Om vätska spillts på LCD-skärmen eller om skärmen utsätts för regn.
  - Om skador uppstått på LCD-skärmen eller höljet.

### Så här ansluter du skärmen till basen

- Ta ut skärmens basdel ur förpackningen och ställ den på ett stabilt och jämnt underlag.
- Ta ut skärmen ur förpackningen.
- Montera monitorarmen vid basen.
  - Se till att basen är fastlåst på monitorarmen. (endast utvalda modeller)
  - Fäst basen vid monitorarmen genom att skruva på skruven med lämpligt verktyg eller mynt. (endast utvalda modeller)

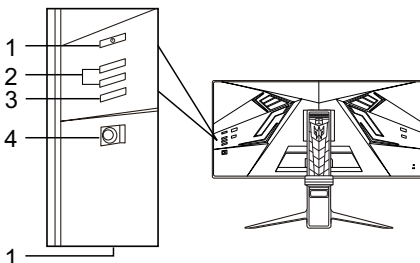
### Ansluta skärmen till en dator

- Stäng av skärmen och koppla bort datorns nätsladd.
- 2-1 Anslut HDMI-kabeln
  - Se till att både skärmen och datorn är avstängda.
  - Anslut HDMI-kabeln till datorn.  
När du använder HDMI kan du trycka på valfri knapp (förutom strömknappen) för att aktivera I/O-portens källa.
- 2-2 Anslut DP-kabeln (standardingång)
  - Se till att både skärmen och datorn är avstängda.
  - Anslut DP-kabeln till datorn.
- Sätt i skärmens nätsladd i nätporten på skärmens baksida.
- Anslut datorns och skärmens nätsladdar till ett eluttag i närheten.
- Aktivera/inaktivera funktionen för USB-laddning utan ström med PÅ/AV (ON/OFF).



### Externa kontroller

Nr.	Artikel	Beskrivning
1	Strömknapp/indikator	Sätter på/stänger av skärmen. Blå betyder att strömmen är på. Gul betyder standbyläge/ strömsparläge.
2	Snabbtangenter 1, 2	Tryck för att aktivera användardefinierad snabbtangentsfunktion.
3	Indataknapp	Tryck för att växla mellan indatakällor.
4	Navigerings-/OK-knapp	Tryck för att aktivera OSD- menyn, använd den sedan som riktningstangent för att markera önskad funktion. Tryck ner den igen för att ange ett val.



## Föreskrifter och säkerhetsanmärkningar

### FCC-meddelande

Denna utrustning har testats och funnits uppfylla gränsvärdena för en digital klass B-enhet enligt avsnitt 15 av FCC:s föreskrifter. Dessa gränsvärden är utformade för att ge ett rimligt skydd mot skadliga störningar vid installation i bostäder. Denna utrustning alstrar, använder och kan utstråla radiofrekvensenergi och kan därför orsaka skadliga störningar på radiokommunikation om den inte installeras och används i enlighet med instruktionerna.

Det går dock inte att ge några garantier för att störningar inte kommer att uppstå i en viss installation. Om utrustningen orsakar skadliga störningar på radio- eller tv-mottagning, vilket kan upptäckas när utrustningen startas och stängs av, uppmanas användaren att försöka korrigera störningen genom en eller flera av följande åtgärder:

- Rikta om eller placera om mottagarantennen.
- Öka avståndet mellan enheten och mottagaren.
- Anslut enheten till ett uttag i en annan krets än den som mottagaren är ansluten till.
- Kontakta återförsäljaren eller en erfaren radio/tv-tekniker för hjälp.

### CE-försäkran om överensstämmelse

Acer Inc. intygar härmed att denna LCD-skärm uppfyller erforderliga krav och andra relevanta villkor i EMC-direktivet 2014/30/EU, lågspänningsdirektivet 2014/35/EU och RoHS-direktivet 2011/65/EU och direktiv 2009/125/EG om upprättandet av en ram för att fastställa krav på ekodesign för energirelaterade produkter.

### Observera:

För att förhindra skador på bildskärmen bör du inte lyfta bildskärmen i basen.

### Observera: Skärmade kablar

Alla anslutningar till andra datorenheter måste ske med skärmade kablar för att EMC-föreskrifterna ska uppfyllas.

### Observera: Kringutrustning

Endast kringutrustning (ingångs-/utgångsenheter, terminaler, skrivare osv.) som har certifierats för efterlevnad av klass B-värdena får anslutas till den här utrustningen. Användning tillsammans med icke-certifierad kringutrustning leder sannolikt till störningar av radio- och tv-mottagningen.

### Varning

Ändringar eller modifieringar som inte uttryckligen godkänts av tillverkaren kan annullera användarens befogenhet, som medges av FCC (Federal Communications Commission), att använda den här produkten.

### Användningsvillkor

Den här enheten uppfyller kraven i avsnitt 15 av FCC:s föreskrifter. Användningen lyder under följande två villkor: (1) den här enheten får inte orsaka skadlig störning, och (2) den här enheten måste tåla eventuella störningar som tas emot, inklusive störningar som kan orsaka oönskad funktionalitet.

### Observera: Användare i Kanada

Den här digitala klass B-enheten uppfyller kraven i kanadensiska ICES-003.

### Remarque à l'intention des utilisateurs canadiens

Cet appareil numérique de la classe B est conforme à la norme NMB-003 du Canada.

### Hantering av uttjänt utrustning för privathushåll i EU



Den här symbolen på produkten eller dess förpackning anger att det inte är tillåtet att slänga den här produkten tillsammans med hushållsavfall. I stället är det ditt ansvar att kassera uttjänt utrustning genom att överlämna det till en återvinningscentral för elektriskt och elektroniskt avfall. Genom separat insamling och återvinning av din uttjänta utrustning bidrar du till att bevara naturens resurser och se till att utrustningen återvinns på ett sätt som värnar om människans hälsa och miljön. Om du vill ha mer information om var du kan lämna din uttjänta utrustning till återvinning kan du kontakta kommunen, ditt avfallshanteringsföretag eller affären där du köpte produkten.

## SPECIFIKATION

LCD-skärm	Teknik	TFT LCD-färgskärm	
	Storlek	35" W (88,9 cm)	
	Pixelavstånd	0,24 mm (H) x 0,24 mm (V)	
	Ljusstyrka	Inbyggd: 600 cd/m <sup>2</sup> ; HDR-läge: 1000 cd/m <sup>2</sup> (topp)	
	Kontrast	2500:1	
	Betraktningvinkel	178° (H) 178° (V) (CR=10)	
	Responstid	2 ms (GTG)	
	Paneltyp	VA	
	H-frekvens	HDMI: 30-150 KHz DP: 88-282 KHz	
V-frekvens	HDMI: 24-100 Hz DP: 24-180 Hz		
Skärmfärger	16,7 miljoner		
Pixelfrekvens	HDMI 2.0: 543,5 MHz DP 1.4: 1017 MHz DP 1.4: 1056 MHz (DP-over clock-funktion = PÅ)		
Högsta upplösning	HDMI: 3440 x 1440 @ 100 Hz DP: 3440 x 1440 @ 180 Hz DP: 3440 x 1440 @ 200 Hz (Överclockningsläge endast för G-Sync)		
Plug & Play	VESA DDC/DC2B		
Energieffektivitetsklass	D		
*Årlig energiförbrukning	145 (kWh) (för modeller med HDMI-ingång)		
Energiförbrukning (vid 200 cd/m <sup>2</sup> )	På-läge	64,1 W (typiskt)	
	Viloläge	0,50 W (typiskt)	
	Av-läge	0,50 W (typiskt)	
Ingångskontakt	HDMI DP		
Videosignalsingång	HDMI-signal DP		
Högtalare	4 W x 2		
USB	USB 3.0 x 3		
Största skärmstorlek	Horisontellt: 819,408 mm Vertikalt: 345,888 mm		
Strömkälla	20V $\square$ 14A		
Miljöfaktorer	Temperatur vid drift: 0° till 40°C Temperatur vid förvaring: -20° till 60°C Fuktighet vid drift: 20 % till 80 %		
Mått	833 (B) x 450,5 - 580,5 (H) x 309 (D) mm		
Vikt (netto)	13,39 kg (netto)		
Mekaniska specifikationer	Lutning: -5° till +25° (endast vid elevationsvinkelns högsta punkt kan en bakåtlutning på 25 grader uppnås) Vridning: -30° till +30° Höjjustering: 0 mm till 130 mm Pivotering: Nej Avtagbart fotstativ: Ja		
Externa kontroller	Reglage/knappar	Strömknapp Snabbtangent 1 Snabbtangent 2	Indata 5 navigeringstangent
	Funktioner	Ljusstyrka Kontrast Blått ljus Dark Boost Bakgrundsbelysningsrespons SDR Variable Backlight Automatisk ljusstyrka Automatisk svartnivå Relativ gamma SDR Colors sRGB DP YCbCr sRGB HDMI YCbCr sRGB Färgtemperatur Volym Överväxel Over Clock	Korn Språk OSD-timeout Transparens Uppdateringsfrekvensnr OSD-läs Ingång Stämningssljus Tilldelning av kortkommando Vidvinkelsläge Djupt viloläge Snabbstartsläge Ladda via USB vid avstängd skärm Skärminformation Återställ alla inställningar Avsluta
Alla specifikationer kan ändras utan föregående meddelande.			

På Acers officiella supportwebbplats hittar du handböcker och andra dokument för din Acer-produkt.

\*Den årliga energiförbrukningen beräknas utifrån en typisk strömförbrukning i 4 timmar per dag, 365 dagar per år.



# Acer LCD 顯示器快速安裝指南 (QSG)

## 重要安全指示

請仔細閱讀以下指示。

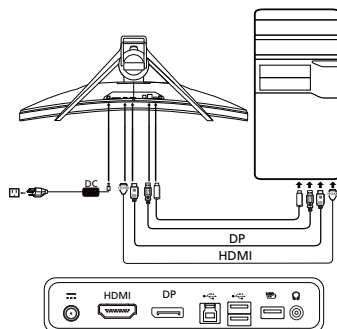
- 若要清潔 LCD 顯示器：請確定您的顯示器所使用的電源適合您當地的交流電源。
  - 關閉 LCD 顯示器並拔掉電源線插頭。
  - 請於擦拭布上噴灑非溶劑型清潔液，以輕柔動作清潔顯示器。
  - 請勿將任何液體直接噴灑或倒入螢幕或外殼中。**
  - 請勿對 LCD 顯示器的螢幕或外殼使用任何含有阿摩尼亞或酒精成份的清潔劑。**
  - 對於使用任何含有阿摩尼亞或酒精成份的清潔劑所造成的損壞，Acer 概不負責。
- 請勿將 LCD 顯示器置於窗戶旁。顯示器若暴露於雨水、濕氣或陽光下，可能會造成嚴重損害。
- 請勿按壓 LCD 螢幕。過度施壓可能使顯示器永久損壞。
- 請勿拆下蓋板或嘗試自行維修本裝置。任何情況下皆應由授權技師進行維修。
- 請將 LCD 顯示器儲存於溫度介於 -20° 至 60° C (-4° 至 140° F) 之間的室內。若將 LCD 顯示器存放在溫度超出此範圍的環境，可能會造成永久損害。
- 若下列任一情形發生，請立即拔掉顯示器插頭並連絡授權技師：
  - 連接顯示器與電腦的訊號線破損。
  - 液體潑灑至 LCD 顯示器，或顯示器暴露於雨水中。
  - LCD 顯示器或外殼受損。

## 將顯示器連接底座

- 從包裝中取出顯示器底座後，請將它放在穩固且平坦的表面上。
- 請從包裝中取出顯示器。
- 將顯示器支臂連接底座。
  - 將底座與顯示器支臂牢牢鎖緊。(僅適用於特定機型)
  - 使用整合性翼片或合適的硬幣旋轉螺絲，將底座固定在顯示器支臂上。(僅適用於特定機型)

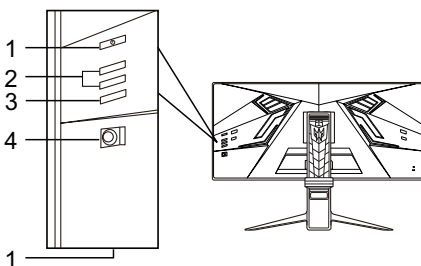
## 將顯示器連接至電腦

- 關閉顯示器，拔掉電腦的電源線插頭。
- 2-1 連接 HDMI 線
  - 請確定顯示器與電腦的電源皆已關閉。
  - 將 HDMI 線連接至電腦。
 使用 HDMI 時，您可按下電源按鈕以外的任何按鈕，來觸發 I/O 連接埠訊源。
- 2-2 連接 DP 線 (預設輸入)
  - 請確定顯示器與電腦的電源皆已關閉。
  - 將 DP 線連接至電腦。
- 將顯示器電源線插入顯示器背面的電源連接埠。
- 將電腦與顯示器的電源線插入附近的電源插座。
- 請選擇「開機狀態下以 USB 充電開/關」，以啟用/停用 USB 關機充電功能。



## 外部控制

編號	項目	說明
1	電源按鈕/指示器	開啓/關閉顯示器。藍色表示電源開啓。橘色代表待機/省電模式。
2	熱鍵 1、2 按鈕	按下即可啓用使用者定義的熱鍵功能。
3	輸入按鈕	按下即可切換輸入來源。
4	導覽/確認按鈕	按下即可啓用 OSD 功能表，並可將此按鈕視為指向鍵，將所需的機能反白顯示。再次按下該按鈕即可進入選項。



## 規定與安全須知

### FCC 聲明

本裝置通過測試，且符合 FCC 規定第 15 條 Class B 數位裝置的限制，針對居家裝設環境中的有害干擾提供合理的保護。本裝置會產生、使用並可發射無線射頻能量，未依指示安裝與使用可能會對無線電通訊造成有害干擾。儘管如此，我們不保證特定安裝不會發生任何干擾。如果透過關閉或開啓裝置電源的方式，判定本裝置確實會對無線電或電視訊號的接收造成有害干擾，我們鼓勵使用者採取下列其中一項措施，嘗試修正干擾問題：

- 調整接收天線的方向或重新放置接收天線。
- 拉大本裝置與接收器之間的距離。
- 將本裝置連接至與接收器所連接的不同電路插座上。
- 諮詢經銷商或經驗豐富的無線電/電視技師以尋求協助。

### CE 合規宣告

Acer Inc. 在此表示本 LCD 顯示器符合以下重要規範與其他相關條款：EMC 指令 2014/30/EU、低電壓指令 2014/35/EU 與 RoHS 指令 2011/65/EU 和指令 2009/125/EC 有關針對能源相關產品設立環保設計之要求建立架構。

#### 注意：

為了避免損壞顯示器，請勿從底座舉起顯示器。

#### 注意：包覆纜線

請務必採用具包覆纜線連接其他運算裝置，以符合 EMC 規範。

#### 注意：周邊裝置

僅限符合 Class B 限制的周邊裝置（輸入/輸出裝置、終端機、印表機等等）連接本設備。若使用非合格周邊裝置可能會干擾無線電與電視訊號接收。

#### 警告

未經製造商明確核准逕行變更或修改本產品，可能會讓使用者喪失由美國聯邦通信委員會授予的操作權力。

#### 運作條件

本裝置符合 FCC 規定第 15 條。操作本裝置時必須符合以下兩項條件：(1) 本裝置不得造成有害干擾，且 (2) 本裝置必須接受任何接收到的干擾，包括可能造成不理想運作的干擾。

#### 注意：加拿大地區使用者

本 Class B 數位裝置符合加拿大 ICES-003 規定。

### Remarque à l'intention des utilisateurs canadiens

Cet appareil numérique de la classe B est conforme à la norme NMB-003 du Canada.

### 歐盟地區家庭使用者對廢棄設備的處置



產品或包裝上的此標誌表示本產品不得與其他家庭廢棄物一同丟棄。您應負責將廢棄設備交到回收廢棄電氣與電子設備的指定收集處。丟棄廢棄設備時分別進行收集與回收有助於保護自然資源，並可確保本設備的回收方式可保護人類健康與環境。若要深入瞭解您的廢棄設備回收地點，請連絡您當地政府機關、家庭廢棄物處理服務或您購買本產品之商家。



## 規格

LCD 面板	驅動系統	TFT 彩色 LCD	
	尺寸	35"W (88.9 公分)	
	像素間距	0.24 公釐 (水平) x 0.24 公釐 (垂直)	
	亮度	原生：600 cd/m <sup>2</sup> ；HDR 模式：1000 cd/m <sup>2</sup> (峰值)	
	對比	2500:1	
	可視角	178° (水平) 178° (垂直) (CR=10)	
	反應時間	2 毫秒 (GTG)	
	面板類型	VA	
	水平頻率	HDMI：30-150 KHz DP：88-282 KHz	
	垂直頻率	HDMI：24-100 Hz DP：24-180 Hz	
顯示色彩	1670 萬		
畫素時鐘	HDMI 2.0：543.5 MHz DP 1.4：1017 MHz DP 1.4：1056 MHz (DP 超頻功能 = 開)		
最大解析度	HDMI：3440 x 1440 @ 100 Hz DP：3440 x 1440 @ 180 Hz DP：3440 x 1440 @ 200 Hz (僅限 G-Sync 的超頻模式)		
隨插即用	VESA DDCCI/DDC2B		
能源效率分級	D		
*年能源消耗量	145 (kWh) (HDMI 輸入機型)		
功耗 (200 尼特時)	開啟模式	64.1 W (典型)	
	休眠模式	0.50 W (典型)	
	關閉模式	0.50 W (典型)	
輸入接頭	HDMI DP		
輸入視訊訊號	HDMI 訊號 DP		
喇叭	4 W x 2		
USB	USB 3.0 x 3		
最大螢幕尺寸	水平：819.408 公釐 垂直：345.888 公釐		
電源	20V 14A		
環境條件	運作溫度：0° 至 40°C 存放溫度：-20° 至 60°C 運作濕度：20% 至 80%		
尺寸	833 (寬) x 450.5 ~ 580.5 (高) x 309 (深) 公釐		
重量 (淨重)	13.39 公斤 (淨重)		
機械規格	傾斜：-5° 至 +25° (僅在最高點時可降低 25 度的傾斜角度) 轉動：-30° 至 +30° 高度調整：0 公釐至 130 公釐 樞軸：無 可卸式腳架：有		
外部控制	開關/按鈕	電源按鈕 熱鍵 1 熱鍵 2	輸入 5 導覽鍵
	功能	亮度 對比 藍光 Dark Boost 背光反應 SDR Variable Backlight 自動亮度 自動黑階 相對 Gamma SDR Colors sRGB DP YCbCr sRGB HDMI YCbCr sRGB 色溫 音量 顯示反應速度 超頻	瞄準點 語言 OSD 顯示時間設定 透明度 更新頻率數字 OSD 鎖定 輸入 周圍光線 快速鍵指派 寬螢幕模式 深度睡眠 快速開啓模式 關機狀態下以 USB 充電 顯示器資訊 畫設所有設定 結束調整
所有規格得未經通知即逕行變更。			

歡迎造訪 [Acer 官方支援網站](#)，取得您的 Acer 產品的手冊與其他文件。

\*年能源消耗量係採用每天 4 小時、每年 365 天的典型耗電量計算而得。

## Acer 液晶显示器快速入门指南 (QSG)

### 重要安全说明

请仔细阅读下列说明。

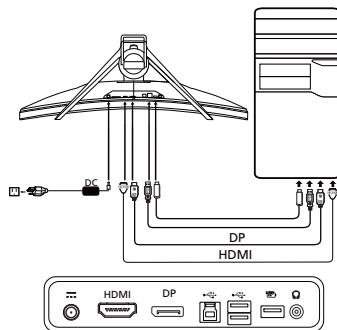
- 清洁液晶显示器屏幕：确保显示器以您所在地区 AC 电源的额定电气值工作。
  - 关闭液晶显示器并拔下电源线。
  - 将非溶剂清洁剂喷洒到抹布上，轻轻清洁屏幕。
  - 切勿将任何液体直接溅到或流入屏幕或机箱上。**
  - 请勿在 LCD 显示器屏幕或机箱上使用任何氨或酒精类清洁剂。**
  - Acer 对于因使用任何氨或酒精类清洁剂所造成的损坏不承担责任。
- 请勿将液晶显示器放置在窗户附近。显示器受到雨淋、受潮或曝晒会严重受损。
- 请勿对液晶屏幕施加压力。压力过大可能会导致显示器永久性损坏。
- 请勿取下机盖或尝试自行维修此显示器。应由授权的技术人员执行所有维修操作。
- 将液晶显示器存放在温度为  $-20^{\circ}\text{C}$  至  $60^{\circ}\text{C}$  ( $-4^{\circ}\text{F}$  至  $140^{\circ}\text{F}$ ) 的房间内。在此温度范围外存放液晶显示器时，可能会导致永久性损坏。
- 发生下列情形时，应立即拔下显示器的电源线并致电授权的技术人员：
  - 显示器连接个人电脑的信号线已磨损或损坏。
  - 液体溅到液晶显示器上或显示器受到雨淋。
  - 液晶显示器或机壳已经损坏。

### 将显示器安装到底座上

- 从包装中取出显示器底座，将其放在稳定、水平的工作空间。
- 从包装中取出显示器。
- 将显示器支架安装到底座上。
  - 确保将底座锁定在显示器支架上。(适用于选定的型号)
  - 使用集成的簧片或适合的硬币转动螺丝，将底座固定在显示器支架上。(适用于选定的型号)

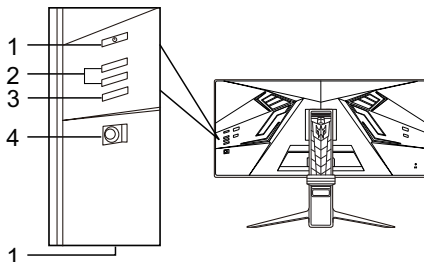
### 将显示器连接至电脑

- 关闭显示器，拔下电脑的电源线。
- 2-1 连接 HDMI 电缆
  - 确保显示器和电脑均已关机。
  - 将 HDMI 电缆连接至电脑。
 使用 HDMI 时，除电源线以外，您可以通过按任意键来激活 I/O 端口源。
- 2-2 连接 DP 电缆 (默认输入)
  - 确保显示器和电脑均已关机。
  - 将 DP 电缆连接至电脑。
- 将显示器电源线插入显示器背面的电源端口。
- 将电脑和显示器的电源线插入附近的电源插座。
- 选择 USB 关机充电开/关可启用/禁用 USB 关机充电功能。



### 外部控件

编号	项目	说明
1	电源按钮/ 指示灯	打开/关闭显示器。蓝色表示显示器已开机。琥珀色表示显示器处于待机/节能模式。
2	热键 1, 2 按钮	按下以激活用户定义的热键功能。
3	输入按钮	按下此按钮可切换输入源。
4	导航/确认按钮	按下以激活 OSD 菜单，然后将其用作方向键以突出显示所需功能。再次按下此按钮以进入选项。



## 法规和安全通告

### FCC 通告

依据 FCC 规章第 15 部分条款，此设备经测试符合 B 类数字设备限制规定。这些限制设计用于在住宅安装环境下提供合理的保护，防止有害干扰。此设备会产生、运用和放射无线电频率能量，若未按照说明安装和使用，可能会对无线通信造成有害干扰。但是，并不保证在特定安装中不会发生干扰。若此设备对无线电或电视接收产生有害干扰（可通过关闭和打开设备来判断），建议用户尝试一项或多项下列措施排除干扰：

- 重新定向或重新定位接收天线。
- 增加设备和接收机之间的距离。
- 将设备连接至不同于接收机连接电路的插座。
- 咨询经销商或有经验的无线电/电视技术人员以寻求帮助。

### CE 一致性声明

Acer Inc. 特此声明，此液晶显示器在建立能源相关产品生态设计要求设置框架方面符合 EMC 2014/30/EU 指令、2014/35/EU 低电压指令、RoHS 2011/65/EU 指令和 2009/125/EC 指令的基本要求及其他相关规定。

### 注意事项：

为防止对显示器造成损坏，请勿通过此底座抬起显示器。

### 注意事项：屏蔽电缆

与其他计算设备的所有连接必须使用屏蔽电缆，以确保符合 EMC 法规。

### 注意事项：周边设备

只有经认证符合 B 类限制规定的周边设备（输入/输出设备、终端、打印机等）才可以连接此设备。使用未经认证的周边设备很可能对无线电和电视接收造成干扰。

### 警告

未经制造商明确批准的更改或修改可能会导致用户无权（此权限由美国联邦通讯委员会授予）操作此产品。

### 操作条件

此设备符合 FCC 规章第 15 部分条款。操作应符合以下两个条件：(1) 此设备不会造成有害干扰，并且 (2) 此设备必须接受任何干扰，包括可能导致意外操作的干扰。

### 注意事项：加拿大用户

此 B 类数字设备符合加拿大 ICES-003 标准。

### Remarque à l'intention des utilisateurs canadiens

Cet appareil numérique de la classe B est conforme à la norme NMB-003 du Canada.

### 《废弃电器电子产品回收处理管理条例》提示性说明

为了更好地关爱及保护地球，当用户不再需要此产品或产品寿命终止时，请遵守国家废弃电器电子产品回收处理相关法律法规，将其交给当地具有国家认可的回收处理资质的厂商进行回收处理。

### 欧盟私人家庭用户废旧设备弃置



产品或其包装上的此标志表示不得将此产品与其他生活垃圾一起弃置。反之，您有责任将废旧设备送往指定的废旧电器和电子设备回收收集点。弃置废旧设备时进行分类收集和回收有助于节约自然资源并确保将其以保护人类健康和环境的方式回收再利用。有关弃置废旧设备回收站的详细信息，请联系当地市政府办公室、生活垃圾处理服务或产品购买处。

### 管制认证



在官方的 Acer 支持网站上查找 Acer 产品的手册及其它文档。

依据中国《电器电子产品有害物质限制使用管理办法》，简称《管理办法》或《China RoHS》之规定，列出宏碁电子信息产品中可能含有的有害物质的名称及含量于以下表格中

<b>显示器</b>						
<b>部件名称</b>	<b>有害物质</b>					
	铅 (Pb)	汞 (Hg)	镉 (Cd)	六价铬 (Cr(VI))	多溴联苯 (PBB)	多溴二苯醚 (PBDE)
金属机构件	X	○	○	○	○	○
塑料机构件	○	○	○	○	○	○
电路板组件*	X	○	○	○	○	○
液晶显示屏	X	○	○	○	○	○
电源模块	X	○	○	○	○	○
电源线	○	○	○	○	○	○
外部信号连接线	X	○	○	○	○	○
喇叭	X	○	○	○	○	○

本表格依据SJ/T 11364的规定编制

\*：电路板组件包括印刷电路板及其构成的零部件，如电阻、电容、集成电路、连接器等

○：表示该有害物质在该部件所有均质材料中的含量均在GB/T 26572规定的限量要求以下

x：表示该有害物质至少存在于该部件的某一均质材料中，是因为目前业界还没有成熟的可替代技术，以致含量虽然超出GB/T 26572规定的限量要求；但仍然符合欧盟RoHS指令所容许的豁免条款及电池指令的要求

## Acer LCD モニタークイックスタートガイド (QSG)

安全にお使いいただくために

以下の注意事項をよくお読みください。

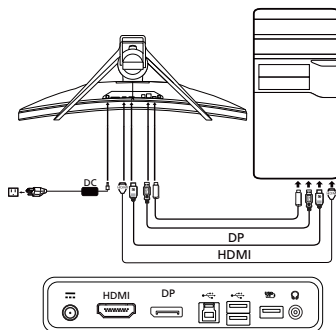
- LCD モニタースクリーンのクリーニング: モニターが設置場所の AC 電源で動作するよう電気定格に設定されていることを確認してください。
  - LCD モニターの電源をオフにし、電源コードを抜きます。
  - 溶剤の含まれていない洗剤を布にスプレーし、スクリーンをそっと拭いてください。
  - スクリーンやケースに直接液体をスプレーしたり、振りかけたりしないでください。
  - LCD スクリーンやケースには、絶対にアンモニアやアルコールベースのクリーナーをご使用にならないでください。
  - アンモニアやアルコールベースのクリーナーをご使用になられた結果生じたダメージについては、Acer は一切責任を負いません。
- LCD モニターは窓の近くに置かないでください。モニターを雨、湿気、直射日光などに当てると、損傷する恐れがあります。
- LCD スクリーンに圧力をかけないでください。過度な圧力はディスプレイを損傷する恐れがあります。
- カバーを取り外したり、本体を修理したりしないでください。いかなる修理についても、認定された技術者に依頼してください。
- LCD モニターは室温 -20~60°C (-4~140°F) の部屋に保管してください。この温度範囲外の場所に LCD モニターを保管すると、モニターが回復不能な損傷を受ける恐れがあります。
- 次のような状況が発生した場合は、直ちにモニターの電源コードを抜き、認定された技術者にご連絡ください。
  - モニターから PC への信号ケーブルがすり減った場合や、破損した場合。
  - LCD モニターに液体が入り込んだ場合や、モニターが雨に濡れた場合。
  - LCD モニターやケースが破損した場合。

## モニターを台に設置する

- モニターの台を梱包箱から取り出し、安定した水平の作業空間に置きます。
- モニターを梱包箱から取り出します。
- モニターのスタンドアームを台に設置します。
  - 台がモニターのスタンドアームにしっかりロックされていることを確認します (一部のモデルのみ)。
  - 工具または適切なコインを使ってネジを締め、台をモニターのスタンドアームにしっかり固定します (一部のモデルのみ)。

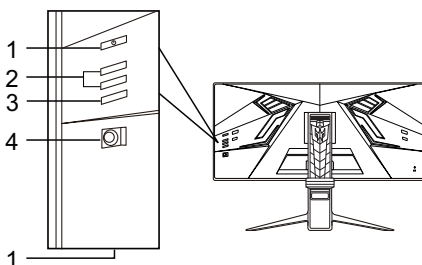
## モニターをコンピュータに接続する

- モニターの電源をオフにして、コンピュータの電源コードを外します。
- 2-1 HDMI ケーブルの接続
  - モニターとコンピュータの電源がオフになっていることを確認してください。
  - HDMI ケーブルをコンピュータに接続します。
 HDMI を使うときは、電源ボタン以外の任意のボタンを押し、I/O ポートソースを起動します。
- 2-2 DP ケーブルの接続 (デフォルト入力)
  - モニターとコンピュータの電源がオフになっていることを確認してください。
  - DP ケーブルをコンピュータに接続します。
- モニターの電源ケーブルをモニター背面の電源ポートに差し込みます。
- コンピュータとモニターの電源コードを、近くのコンセントに差し込みます。
- 「電源オフ USB 充電」のオン/オフを選択し、電源オフ USB 充電機能を有効/無効にします。



## 外部コントロール

番号	アイテム	説明
1	電源ボタン／インジケータ	モニターをオン/オフにします。青色は電源がオンであることを示します。オレンジ色はスタンバイ/省電力モードを示します。
2	ホットキー 1、2 ボタン	ユーザー定義ホットキー機能をアクティブにします。
3	入力端子ボタン	入力ソースを切り替えます。
4	Navi/OK ボタン	OSD メニューをアクティブにします。そのあとは、必要な機能を強調表示するための方向キーとして使用します。もう一度押しと選択することができます。



## 規制と安全に関する注意

### FCC に関する注意

このデバイスは、FCC が定める規則の第 15 部に準ずるクラス B デジタル機器の制限について、適合性検査を経ており、その制限事項に適合していることが確認されています。この制限事項は、住宅地域に設置した場合の有害な受信妨害を妥当な範囲で防止することを目的としています。このデバイスは、無線周波数エネルギーを生成、使用し、また、放射することがあるため、指示に従って設置して使用しないと、無線通信に有害な受信妨害を引き起こす可能性があります。

ただし、特定の設置条件において受信妨害が発生しないという保証はありません。このデバイスの電源をオン/オフすることによって、このデバイスがラジオやテレビに有害な受信妨害を発生させていることが確認できる場合は、次の方法で改善を試みることをお勧めします。

- 受信アンテナの方向や設置位置を変える。
- デバイスと受信機の距離を離す。
- デバイスの電源コードを、受信機が接続されている電源回路とは別のコンセントに差し込む。
- 販売店またはラジオ/テレビ専門の技術者に問い合わせる。

### CE 適合宣言

Acer Inc. はここに、この LCD モニターが、エネルギー関連製品のエコデザイン要件の設定のフレームワークの確立に関して、EMC 指令 2014/30/EU、低電圧指令 2014/35/EU、RoHS 指令 2011/65/EU と指令 2009/125/EC の基本要件とその他の関連条項に準拠していることを宣言します。

### 注意：

モニターが故障するため、モニターの底を持って持ち上げないでください。

### 注意：シールドされたケーブル

EMC 規制への適合性を守るため、他のコンピューティングデバイスへの接続はすべて、シールドされたケーブルを使用する必要があります。

### 注意：周辺機器

本装置に接続できるのは、クラス B の制限事項への適合性が証明された周辺機器（入力機器/出力機器、端末、プリンタなど）のみとなります。適合性が証明されていない周辺機器を使用して操作することにより、ラジオやテレビに受信妨害を引き起こす可能性があります。

### 注意

製造会社によって明示的に許可されていない変更や改造を行うと、FCC（連邦通信委員会）によって認められた、ユーザーが本製品を操作する権限が無効になる場合があります。

### 操作条件

このデバイスは、FCC 規則の第 15 部に準拠しています。このデバイスの操作は、以下の 2 つの条件が対象となります。(1) このデバイスは有害な受信妨害を発生しない。(2) このデバイスは、意図しない動作の原因となる受信妨害も含め、受信するすべての受信妨害に対応する必要があります。

### 注意：カナダのユーザー対象

このクラス B デジタル機器は、カナダ ICES-003 に準拠しています。

### Remarque à l'intention des utilisateurs canadiens

Cet appareil numérique de la classe B est conforme à la norme NMB-003 du Canada.

### 欧州連合における一般家庭ユーザーによる使用済み機器の処分



製品または製品の梱包箱に表示されるこの記号は、この製品を他の家庭ごみと一緒に処分してはいけないことを示しています。使用済み機器を処分する際は、ユーザーご自身の責任で電気電子機器廃棄物のリサイクルに指定された回収場所に持ち運ぶ必要があります。使用済み機器の個別回収やリサイクルは天然資源の保全につながり、また、人の健康と環境を保護する方法でリサイクルされることが保証されます。リサイクル目的で使用済み機器を回収する場所の詳細については、地方自治体、家庭ごみ処理サービス、または製品をご購入された販売店にお問い合わせください。



## 仕様

LCD パネル	駆動装置	TFT カラー LCD	
	サイズ	35"W (88.9 cm)	
	画素ピッチ	0.24 mm (水平) x 0.24 mm (垂直)	
	輝度	ネイティブ : 600 cd/m <sup>2</sup> 、HDR モード : 1000 cd/m <sup>2</sup> (ピーク)	
	コントラスト	2500:1	
	可視角度	178° (水平) 178° (垂直) (CR=10)	
	応答時間	2 ms (GTG)	
	パネルタイプ	VA	
	水平周波数	HDMI : 30~150 KHz DP : 88~282 KHz	
	垂直周波数	HDMI : 24~100 Hz DP : 24~180 Hz	
ディスプレイカラー	1670 万		
ドットクロック	HDMI 2.0 : 543.5 MHz DP 1.4 : 1017 MHz DP 1.4 : 1056 MHz (DP オーバークロック機能 = オン)		
最大解像度	HDMI : 3440 x 1440 @ 100 Hz DP : 3440 x 1440 @ 180 Hz DP : 3440 x 1440 @ 200 Hz (G-Sync 専用のオーバークロックモード)		
ブラグアンドブレイ	VESA DDCCI/DDC2B		
エネルギー効率クラス	D		
*年間エネルギー消費量	145 kWh (HDMI 入力モデル)		
消費電力 (200 ニト)	オンモード	64.1 W (標準)	
	スリープモード	0.50 W (標準)	
	オフモード	0.50 W (標準)	
入力端子コネクタ	HDMI DP		
入力映像信号	HDMI 信号 DP		
スピーカ	4 W x 2		
USB	USB 3.0 x 3		
最大スクリーンサイズ	水平 : 819.408 mm 垂直 : 345.888 mm		
電源	20V 〃 〃 14A		
環境条件	動作温度 : 0°~40°C 保管温度 : -20°~60°C 動作湿度 : 20%~80%		
寸法	833 (幅) x 450.5~580.5 (高さ) x 309 (奥行き) mm		
重量 (正味重量)	13.39 kg (正味)		
機械仕様	チルト : -5°~+25° (最も高い位置においてのみ、上下角で 25° の傾斜が可能) 旋回 : -30°~+30° 高さ調整 : 0~130 mm 回転 : 不可 取り外し可能フットスタンド : 有り		
外部コントロール	スイッチ/ボタン	電源ボタン ホットキー 1 ホットキー 2	入力端子 5 Navi キー
	機能	輝度 コントラスト ブルーライト Dark Boost バックライトの反応 SDR Variable Backlight 自動輝度 自動ブラックレベル 相対ガンマ SDR Colors sRGB DP YCbCr sRGB HDMI YCbCr sRGB 色温度 音量 オーバードライブ オーバークロック	照準点 言語 OSD 表示時間設定 透明度 リフレッシュレート数 OSD ロック 入力端子 周囲光 ホットキー割当 表示モード ティープスリープ クイックスタートモード 電源オフ USB 充電 表示情報 すべての設定をリセット 終了

仕様は予告なしに変更されることがあります。

Acer 製品のマニュアルやその他のドキュメントは、Acer の公式サポートサイトからご覧いただけます。

\*年間エネルギー消費量は、4 時間 / 日 x 365 日 / 年の標準消費電力に基づき算出しています。

# Monitor LCD Acer – Průvodce pro rychlé nastavení (QSG)

## Důležité bezpečnostní upozornění

Pečlivě si přečtěte následující pokyny.

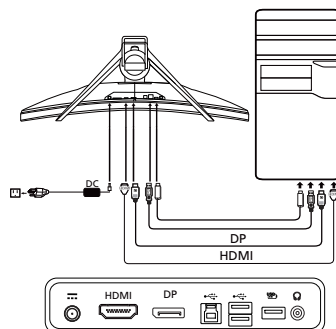
- Postup čištění obrazovky monitoru LCD: Ověřte si, že elektrické parametry monitoru jsou vhodné pro provoz s použitím napájecího kabelu pro střídavé napětí, které je k dispozici ve vaší oblasti.
  - Vypněte monitor LCD a odpojte napájecí kabel.
  - Na hadřík nastříkejte čisticí prostředek bez obsahu rozpouštědla a šetrně vyčistěte obrazovku.
  - PŘÍMO NA OBRAZOVKU ANI NA OBAL NIKDY NESTRIKEJTE ANI NEVYLÉVEJTE ŽÁDNOU KAPALINU.**
  - NA LCD DISPLEJ ANI NA OBAL NEPOUŽÍVEJTE ČISTÍCÍ PROSTŘEDKY NA BÁZI ČPAVKU NEBO ALKOHOLU.**
  - Společnost Acer neponese odpovědnost za škody vyplývající z používání čisticích prostředků na bázi čpavku nebo alkoholu.
- Neumísťujte monitor LCD k oknu. Pokud bude monitor vystaven působení deště, vlhkosti nebo slunečního svitu, může se vážně poškodit.
- Na obrazovku LCD nijak netlačte. Působení nadměrného tlaku může displej trvale poškodit.
- Nesnímejte kryt (obal) monitoru ani se nepokoušejte tento přístroj sami opravovat. Veškerý servis musí provádět autorizovaný technik.
- Monitor LCD skladujte v místnosti s teplotou -20° C až 60° C (-4° F až 140° F). Skladování monitoru LCD mimo uvedený rozsah teplot může způsobit trvalé poškození.
- Pokud nastanou následující okolnosti, ihned odpojte monitor ze zásuvky a obraťte se na autorizovaného technika.
  - Kabel pro přenos signálu z monitoru do počítače je rozedřený nebo poškozený.
  - Na monitor LCD se vylíje kapalina nebo je monitor vystaven působení deště.
  - Monitor LCD nebo jeho kryt je poškozen.

## Upevnění monitoru k základně

- Vyjměte základnu monitoru z obalu a položte ji na stabilní a rovnou pracovní desku.
- Vyjměte monitor z obalu.
- Upevněte monitor k základně.
  - Ujistěte se, že je základna zajištěna v rameni podstavce monitoru. (pro vybrané modely)
  - Upevněte základnu k monitoru otočením šroubu: použijte vestavěný jazyček nebo minci vhodné velikosti. (pro vybrané modely)

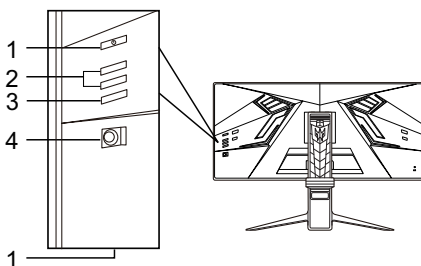
## Připojení monitoru k počítači

- Vypněte monitor a odpojte napájecí kabel počítače.
- 2-1 Připojení kabelu HDMI
  - Zkontrolujte, zda je monitor i počítač vypnutý.
  - Připojte kabel HDMI k počítači. Pokud využíváte HDMI, je možné pomocí kteréhokoli tlačítka vyjma tlačítka napájení aktivovat port I/O jako zdroj.
- 2-2 Připojení kabelu DP (výchozí vstup)
  - Zkontrolujte, zda je monitor i počítač vypnutý.
  - Připojte kabel DP k počítači.
- Zapojte napájecí kabel monitoru do portu pro napájení na zadní straně monitoru.
- Zapojte napájecí kabely počítače a monitoru do nejbližší elektrické zásuvky.
- Výběrem jedné z možností Power-off USB charge ON/OFF (ZAPNOUT/VYPNOUT nabíjení přes port USB při vypnutí) aktivujte nebo deaktivujte funkci nabíjení přes port USB při vypnutí.



## Externí ovládací prvky

Č.	Položka	Popis
1	Tlačítko napájení / indikátor	Zapnutí/vypnutí monitoru. Modrá barva značí zapnutý stav. Žlutá barva značí, že monitor je v pohotovostním režimu či režimu úspory energie.
2	Tlačítka klávesových zkratk 1, 2	Stisknutím aktivujete funkci zkratk nastavených uživatelem.
3	Tlačítko vstupu	Stisknutím změníte vstupní zdroj.
4	Tlačítko navigace/ OK	Stisknutím aktivujete nabídku OSD, poté je využijte jako směrovou klávesu, jejímž prostřednictvím zvýrazníte požadovanou funkci. Opětovným stisknutím provedete výběr položky.



## Předpisy a bezpečnostní upozornění

### Upozornění FCC (Federálního výboru pro telekomunikace)

Toto zařízení bylo testováno a splňuje limity pro třídu B digitálních zařízení, podle oddílu 15 Pravidel FCC. Tyto limity zabezpečují odpovídající ochranu proti škodlivému rušení při instalaci v domácnosti. Toto zařízení generuje, používá a může vyzařovat vysokofrekvenční energii, a pokud není instalováno a používáno v souladu s instrukcemi, může způsobit škodlivé rušení rádiové komunikace.

Ne lze však zaručit, že se rušení v určité instalaci neobjeví. Jestliže toto zařízení způsobí škodlivé rušení rádiového nebo televizního příjmu, které lze zjistit vypnutím nebo zapnutím zařízení, je uživateli doporučeno pokusit se rušení potlačit jedním z následujících opatření:

- Přesměrujte nebo přemístěte přijímací anténu.
- Zvětšete odstup mezi zařízením a přijímačem.
- Připojte zařízení k jinému výstupu okruhu, než ke kterému je nyní připojeno.
- Poradte se s distributorem nebo zkušeným technikem specializovaným na obor rádio a televizory.

### Prohlášení o shodě CE

Společnost Acer Inc. tímto prohlašuje, že tento monitor LCD je v souladu se základními požadavky a dalšími platnými ustanoveními směrnice EMC 2014/30/EU, 2014/35/EU (směrnice týkající se nízkého napětí), směrnice RoHS 2011/65/EU a směrnice 2009/125/EC, týkající se rámců pro stanovení požadavků na ekologickou konstrukci pro produkty využívající energii.

### Upozornění:

Nezvedejte monitor za základnu, aby nedošlo k poškození monitoru.

### Upozornění: Stíněné kabely

Veškerá připojení k jiným zařízením výpočetní techniky je nutno provádět s využitím stíněných kabelů, aby byla zajištěna shoda s předpisy pro elektromagnetickou kompatibilitu (EMC).

### Upozornění: Periferní zařízení

K tomuto zařízení směřují být připojena pouze periferní zařízení (zařízení pro vstup a výstup signálu, terminály, tiskárny apod.) certifikovaná ohledně shody s limity pro třídu B. Provoz necertifikovaných periferních zařízení pravděpodobně způsobí rušení příjmu rádia a televize.

### Varování

Změny nebo úpravy, které nejsou výslovně schváleny výrobcem, by mohly anulovat oprávnění uživatele používat tento produkt (oprávnění garantuje Federální výbor pro telekomunikace).

### Provozní podmínky

Toto zařízení vyhovuje požadavkům FCC, oddíl 15. Provoz podléhá těmto dvěma podmínkám: (1) toto zařízení nesmí být zdrojem škodlivého rušení a (2) toto zařízení musí akceptovat jakékoli přijímané rušení, včetně rušení, které může být příčinou nežádoucího provozu.

### Upozornění: Uživatelé v Kanadě

Tento digitální přístroj třídy B vyhovuje kanadskému standardu ICES-003.

### Remarque à l'intention des utilisateurs canadiens

Cet appareil numérique de la classe B est conforme à la norme NMB-003 du Canada.

### Likvidace zařízení vyřazených uživateli v soukromých domácnostech v Evropské unii



Tento symbol na produktu nebo jeho obalu znamená, že produkt nesmí být likvidován s běžným domácím odpadem. Namísto toho přejímáte odpovědnost za likvidaci zařízení tak, že je odevzdáte na určeném sběrném místě pro recyklaci vyřazených elektrických a elektronických zařízení. Třídění a recyklace vyřazených zařízení přispívá k ochraně přírodních zdrojů a zajišťuje recyklaci zařízením způsobem, jenž ochrání zdraví osob i životního prostředí. Další informace o tom, kde můžete své vyřazené zařízení předat k recyklaci, vám poskytne místní obecní úřad, komunální služby nebo obchod, kde jste produkt zakoupili.

## TECHNICKÉ ÚDAJE

Panel LCD	Provozní systém	Barevný LCD TFT	
	Velikost	35" W (88,9 cm)	
	Rozteč pixelů	0,24 mm (horizontálně) × 0,24 mm (vertikálně)	
	Jas	Nativní: 600 cd/m <sup>2</sup> ; režim HDR: 1000 cd/m <sup>2</sup> (špička)	
	Kontrast	2500:1	
	Úhel sledování	178° (horizontálně) 178° (vertikálně) (CR=10)	
	Doba odezvy	2 ms (GTG)	
	Typ panelu	VA	
	Horizontální frekvence	HDMI: 30–150 KHz DP: 88–282 KHz	
Vertikální frekvence	HDMI: 24–100 Hz DP: 24–180 Hz		
Zobrazení	16,7 Milionů		
Frekvence bodů	HDMI 2.0: 543,5 MHz DP 1.4: 1017 MHz DP 1.4: 1056 MHz (DP – funkce přetaktování = ZAPNUTA)		
Maximální rozlišení	HDMI: 3440 x 1440 @ 100 Hz DP: 3440 x 1440 @ 180 Hz DP: 3440 x 1440 @ 200 Hz (Režim přetaktování pouze pro G-Sync)		
Funkce Plug & Play	VESA DDCCI/DDC2B		
Třída energetické efektivity	D		
*Roční spotřeba energie	145 (kWh) (pro model se vstupem HDMI)		
Spotřeba energie (při jasu 200 nitů)	Režim Zapnuto	64,1 W (typicky)	
	Režim spánku	0,50 W (typicky)	
	Režim Vypnuto	0,50 W (typicky)	
Konektor vstupu	HDMI DP		
Vstupní videosignál	Signál HDMI DP		
Reproduktoř	4 W x 2		
USB	USB 3.0 x 3		
Maximální velikost obrazovky	Horizontálně: 819,408 mm Vertikálně: 345,888 mm		
Zdroj napájení	20V — 14A		
Podmínky okolního prostředí	Provozní teplota: 0 °C až 40 °C Skladovací teplota -20 °C až 60 °C Provozní vlhkost: 20 % až 80%		
Rozměry	833 (Š) × 450,5 ~ 580,5 (V) × 309 (H) mm		
Hmotnost (čistá)	13,39 kg (čistá)		
Technické údaje mechanismu	Naklonění: -5° až +25° (pro úhel zdvihu lze dosáhnout záklonu 25 stupňů pouze v nejvyšším bodě) Otáčení: -30° až +30° Nastavení výšky: 0 mm až 130 mm Otočení: Ne Odnímatelný stojan: Ano		
Externí ovládací prvky	Spínače a tlačítka	Tlačítko napájení Klávesová zkratka 1 Klávesová zkratka 2	Vstup Klávesa navigace 5
	Funkce	Jas Kontrast Modré světlo Dark Boost Odezva podsvícení SDR Variable Backlight Automatický jas Automatická úroveň černé Relativní gamma SDR Colors sRGB DP YCbCr sRGB HDMI YCbCr sRGB Teplota barev Hlasitost Override Přetaktování	Muška Jazyk Časový limit nabídky na obrazovce Průhlednost Obnovovací frekvence Zámek OSD Vstup Okolní světlo Přřazení klávesových zkratk Širokoúhlný režim Hluboký spánek Režim rychlého spuštění Vypnutí napájení přes USB Informace o displeji Obnovit všechna nastavení Ukončit
Jakékoli technické údaje zařízení mohou být změněny bez předchozího upozornění.			

Návody a další dokumenty pro svůj produkt Acer naleznete na oficiálních webových stránkách podpory společnosti Acer.

\*Roční spotřeba energie se počítá s využitím typické spotřeby energie 4 hodiny denně, 365 dní v roce.

# Acer LCD monitor – Gyors üzembe helyezési útmutató (QSG)

## Fontos biztonsági tudnivalók

Olvassa el figyelmesen a következő tudnivalókat.

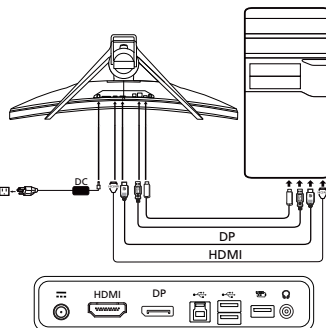
- Az LCD monitor képernyőjének tisztítása: Ügyeljen arra, hogy a monitor képes legyen a használat helyén elérhető elektromos hálózatról üzemelni.
  - Kapcsolja ki az LCD monitort, és húzza ki a tápkábelét.
  - Permetezzen oldószert nem tartalmazó tisztítófolyadékot egy tisztítókendőre, és óvatosan tisztítsa meg vele a képernyőt.
  - SOHA NE PERMETEZZEN VAGY ÖNTSÖN SEMMILYEN FOLYADÉKOT KÖZVETLENÜL A KÉPERNYŐRE VAGY A TARTÓRA.**
  - NE HASZNÁLJON SEMMILYEN AMMÓNIA VAGY ALKOHOL ALAPÚ TISZTÍTÓT AZ LCD KIJELZŐN VAGY A TARTÓN.**
  - Az Acer nem fog felelősséget vállalni semmilyen ammónia vagy alkohol alapú tisztítószert használatából eredő kárért.
- Az LCD monitort ne helyezze ablak közelébe. A monitort az eső, a nedvesség és a közvetlen napfény súlyosan károsíthatja.
- Ne nyomja meg az LCD képernyőt. A túlzott erőfeszítéssel járó nyomás a képernyő sérülését okozhatja.
- Ne távolítsa el a készülék burkolatát, valamint ne próbálja meg saját maga megjavítani a készüléket. A készülékben csak szakképzett szerelő végezhet javítást.
- Az LCD monitort -20 és +60 °C közötti hőmérsékletű helyiségben tárolja. Az e tartományon kívüli hőmérsékletek károsíthatják az LCD monitort.
- A következő esetekben azonnal húzza ki a monitor tápkábelét, és hívjon szakképzett szerelőt:
  - A monitor és a számítógép közötti kábel kikopott vagy megsérült.
  - Az LCD monitorra folyadék ömlött vagy a monitort eső érte.
  - Az LCD burkolata megsérült.

## A monitor csatlakoztatása a talpához

- Vegye ki a monitor talpát a csomagból és helyezze azt egy sík, stabil felületre.
- Vegye ki a monitort a csomagolásából.
- Csatlakoztassa a monitortartó kart a talpához.
  - Győződjön meg róla, hogy a talp és a monitortartó kar megfelelően kapcsolódnak egymáshoz. (bizonyos típusok esetén)
  - A csavar elforgatásával rögzítse a talpat a monitortartó karhoz. A csavart a beépített fül vagy egy megfelelő méretű pénzérme segítségével húzhatja meg. (bizonyos típusok esetén)

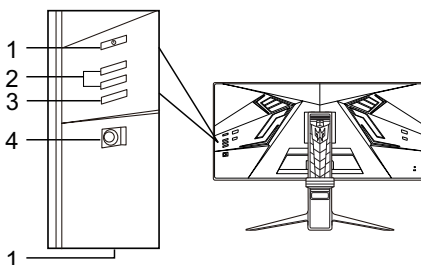
## A monitor számítógéphez csatlakoztatása

- Kapcsolja ki a monitort, és húzza ki a számítógép tápkábelét.
- 2-1 HDMI-kábel csatlakoztatása
  - Győződjön meg róla, hogy mind a monitor, mind a számítógép ki van kapcsolva.
  - Csatlakoztassa a HDMI-kábelt a számítógéphez. HDMI használatok az I/O port forrásának elindításához bármelyik gombot megnyomhatja, kivéve a bekapcsológombot.
- 2-2 DP-kábel csatlakoztatása (alapértelmezett bemenet)
  - Győződjön meg róla, hogy mind a monitor, mind a számítógép ki van kapcsolva.
  - Csatlakoztassa a DP-kábelt a számítógéphez.
- Csatlakoztassa a monitor tápkábelét a monitor hátulján található tápcsatlakozóhoz.
- Csatlakoztassa a monitor és a számítógép tápkábelét egy közeli fali aljzathoz.
- Kapcsolja be vagy ki a Kikapcsolt USB-töltés beállítását a Kikapcsolt USB-töltés funkció be-, illetve kikapcsolásához.



## Külső kezelőszervek

Szám	Elem	Leírás
1	Bekapcsológomb/ jelzőfény	Be- és kikapcsolja a monitort. A kék fény a bekapcsolt állapotot jelzi. A borostyánsárga fény a készenléti/energiatakarékos módot jelzi.
2	1., 2. gyorsgombok	Nyomja meg a felhasználó által meghatározott gyorsgombfunkció aktiválására.
3	Bemenet gomb	A bemeneti források közti váltásra szolgál.
4	Navigációs/OK gomb	Nyomja meg az OSD menü aktiválásához, majd használja vezérlőgombként a kívánt funkció kijelölésére. Nyomja meg újra a kijelölt elem kiválasztásához.



## Előírások és biztonsági megjegyzések

### FCC-megjegyzés

A készüléket tesztelték, és az FCC-szabályzat 15. része értelmében megfelel a B osztályú digitális eszközökre vonatkozó előírásoknak. A korlátozások lakossági környezetben történő telepítéskor megbízható védelmet nyújtanak a káros interferenciával szemben. A készülék rádiófrekvenciás energiát hoz létre, használ és sugároz. Ha a készüléket nem a gyártó útmutatásai alapján telepítik és használják, akkor káros interferenciát okozhat a rádiókommunikációban.

Arra azonban nincs garancia, hogy egy adott telepítési helyzetben nem lép fel interferencia. Ha a készülék káros interferenciát okoz a rádió- vagy televíziókészülékek vételében, amelynek tényéről a készülék ki- és bekapcsolásával győződhet meg, javasoljuk, hogy az interferencia megszüntetése érdekében a következő lépéseket hajtsa végre:

- Fordítsa el vagy helyezze át a vevőantennát.
- Növelje a távolságot a készülék és a vevő között.
- Csatlakoztassa egy másik aljzathoz a készüléket, mint amelyikhez a vevőegység csatlakozik.
- Kérje a kereskedő vagy szakképzett szerelő segítségét.

### CE megfeleléségi nyilatkozat

Az Acer Inc. ezennel kijelenti, hogy ez az LCD monitor megfelel az elektromágneses zavart okozó berendezésekre vonatkozó 2014/30/EU irányelv, a kisfeszültségű villamosági termékekre vonatkozó 2014/35/EU irányelv, valamint az egyes veszélyes anyagok elektromos és elektronikus berendezésekben való alkalmazásának korlátozásáról szóló 2011/65/EU irányelv és az energiával kapcsolatos termékek környezetbarát tervezésére vonatkozó követelmények megállapítási kereteinek létrehozásáról szóló 2009/125/EK irányelv alapvető és egyéb vonatkozó követelményeinek.

### Megjegyzés:

A monitort soha ne a talpánál fogva emelje fel, nehogy megsérüljön.

### Megjegyzés: Árnyékolt kábelek

Az elektromágneses zavarokra vonatkozó előírások betartása érdekében a készüléket csak árnyékolt kábelekkel szabad más számítástechnikai eszközökhöz csatlakoztatni.

### Megjegyzés: Perifériák

A készülékhez kizárólag olyan perifériát (bemeneti/kimeneti eszközt, terminált, nyomtatót stb.) szabad csatlakoztatni, amely megfelel a B osztályú eszközökre előírt határértékeknek. A határértékeknek nem megfelelő perifériák használata esetén zavar léphet fel a rádiós és a televíziós vételben.

### Figyelem

A gyártó által nem engedélyezett változtatások vagy módosítások miatt a felhasználó elveszítheti a Federal Communications Commission (Szövetségi Távközlési Bizottság) által a készülék működtetésére biztosított jogát.

### Üzemi feltételek

A készülék megfelel az FCC szabályzatának 15. fejezetében foglalt előírásoknak. A készülék működtetése a következő két feltételhez kötött: (1) a készülék nem okozhat zavart, és (2) a készüléknek minden zavart tűrnie kell, beleértve a nemkívánatos működést okozó zavarokat is.

### Megjegyzés: Kanadai felhasználók

Ez a B osztályú digitális berendezés megfelel a kanadai ICES-003 szabvány előírásainak.

### Remarque à l'intention des utilisateurs canadiens

Cet appareil numérique de la classe B est conforme à la norme NMB-003 du Canada.

### Készülékek magánháztartásban történő selejtezése az Európai Unió területén



A készüléken, illetve a készülék csomagolásán látható azonos szimbólum annak jelzésére szolgál, hogy a készülék a selejtezés során az egyéb háztartási hulladéktól eltérő módon kezelendő. A vásárló a hulladékká vált készüléket köteles a kijelölt gyűjtőhelyre szállítani az elektromos és elektronikai készülékek újrahasznosítása céljából. A hulladékká vált készülékek selejtezési begyűjtése és újrahasznosítása hozzájárul a természeti erőforrások megőrzéséhez, valamint biztosítja a selejtezett termékek környezetre és emberi egészségre nézve biztonságos feldolgozását. A begyűjtés pontos helyéről bővebb tájékoztatást a lakhelye szerint illetékes önkormányzattól, az illetékes hulladékkezelő vállalattól, illetve a terméket árusító helyen kaphat.

# MŰSZAKI ADATOK

LCD-panel	Meghajtórendszer	Színes TFT LCD	
	Méret	35" W (88,9 cm)	
	Képpontméret	0,24 mm (vízszintes) x 0,24 mm (függőleges)	
	Fényerő	Natív: 600 cd/m <sup>2</sup> ; HDR mód: 1000 cd/m <sup>2</sup> (csúcsérték)	
	Kontraszt	2500:1	
	Betekintési szög	178° (vízszintes) 178° (függőleges) (CR=10)	
	Válaszidő	2 ms (GTG)	
	Paneltípus	VA	
	Vízszintes frekvencia	HDMI: 30 – 150 KHz DP: 88 – 282 KHz	
Függőleges frekvencia	HDMI: 24 – 100 Hz DP: 24 – 180 Hz		
Megjeleníthető színek	16,7 millió		
Videóárajel	HDMI 2.0: 543,5 MHz DP 1.4: 1017 MHz DP 1.4: 1056 MHz (DP-túlhajtás funkció = BE)		
Maximális felbontás	HDMI: 3440 x 1440 @ 100 Hz DP: 3440 x 1440 @ 180 Hz DP: 3440 x 1440 @ 200 Hz (Túlhúzás mód csak a G-Sync-hez)		
Plug&Play	VESA DDCCI/DDC2B		
Energiagazdaságossági besorolás	D		
*Éves energiafogyasztás	145 (kWh) (a HDMI bemenettel rendelkező típus esetén)		
Fogyasztás (200 nit fényerő mellett)	Bekapcsolt állapot	64,1 W (jellemző)	
	Álvó állapot	0,50 W (jellemző)	
	Kikapcsolt állapot	0,50 W (jellemző)	
Bemeneti csatlakozó	HDMI DP		
Bemeneti videojel	HDMI-jel DP		
Hangszórók	4 W x 2		
USB-csatlakozó	USB 3,0 x 3		
Maximális képernyőméret	Vízszintesen: 819,408 mm Függőlegesen: 345,888 mm		
Áramforrás	20V — — 14A		
Környezetre vonatkozó követelmények:	Működési hőmérséklet: 0 – 40 °C Tárolás hőmérséklet: -20 – 60 °C Működési páratartalom: 20 – 80%		
Méretek	833 (szé) x 450,5 ~ 580,5 (ma) x 309 (mé) mm		
Tömeg (nettó)	13,39 kg (nettó)		
Mechanikai jellemzők	Dőlés: -5° és + 25° között (Csak a készülék legmagasabb pontján mérhető 25 fokos dőlésszög) Elfordulás: -30° és +30° között Magasságbeállítás: 0 – 130 mm Elfordítható: Nem Levehető talp: Van		
Külső kezelőszervek	Kapcsoló/gombok	Bekapcsológomb 1. gyorsgomb 2. gyorsgomb	Bemenet 5 Navigációs gomb
	Funkciók	Fényerő Kontraszt Kék fény Dark Boost Háttérvilágítási válasz SDR Variable Backlight Automatikus fényerő Automatikus feketeszint Relatív Gamma SDR Colors sRGB DP YCbCr sRGB HDMI YCbCr sRGB Színhőmérséklet Hangerő Over Drive Túlhajtás	Célpont Nyelv OSD időkorlátja Áttetszőség Frissítési frekvencia száma OSD zárolás Bemenet Környezeti fény Gyorsgomb kiosztása Széles mód Mély alvás Gyorsindítás mód USB-töltés kikapcsolt állapotban Kijelzőinformációk Minden beállítás visszaállítása Kilépés
A műszaki adatok értesítés nélkül változhatnak.			

Acer termékéhez az Acer hivatalos támogatási webhelyén található kézikönyveket és egyéb dokumentumokat.

\*Az éves energiafogyasztás kiszámítása az év 365 napján napi 4 óra használatot feltételezve történik.

# Οδηγός γρήγορης εγκατάστασης οθόνης LCD Acer (QSG)

## Σημαντικές οδηγίες ασφαλείας

Διαβάστε προσεκτικά τις ακόλουθες οδηγίες.

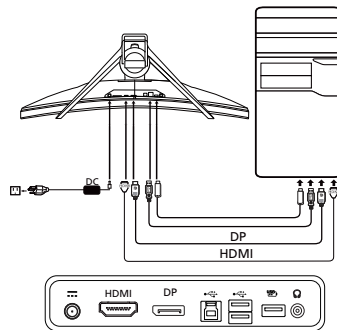
- Για να καθαρίσετε την οθόνη LCD: Βεβαιωθείτε ότι η οθόνη σας είναι ηλεκτρικά χαρακτηρισμένη για λειτουργία με το εναλλασσόμενο ρεύμα που είναι διαθέσιμο στην περιοχή σας.
  - Απενεργοποιήστε την οθόνη LCD και αποσυνδέστε το καλώδιο ρεύματος.
  - Ψεκάστε με διάλυμα καθαρισμού χωρίς διαλύτες πάνω σε ένα πανί και καθαρίστε την οθόνη απαλά.
  - **ΜΗΝ ΨΕΚΑΖΕΤΕ ΚΑΙ ΜΗΝ ΧΥΝΕΤΕ ΠΟΤΕ ΥΓΡΑ ΑΠΕΥΘΕΙΑΣ ΠΑΝΩ ΣΤΗΝ ΟΘΟΝΗ Ή ΣΤΗ ΘΗΚΗ.**
  - **ΜΗΝ ΧΡΗΣΙΜΟΠΟΙΕΙΤΕ ΚΑΘΑΡΙΣΤΙΚΑ ΜΕ ΒΑΣΗ ΤΗΝ ΑΜΜΩΝΙΑ Ή ΤΗΝ ΑΛΚΟΟΛΗ ΣΤΗΝ ΟΘΟΝΗ LCD Ή ΣΤΗ ΘΗΚΗ.**
  - Η Acer δεν θα φέρει καμία απολύτως ευθύνη για τυχόν ζημιά που ενδέχεται να προκληθεί εξαιτίας της χρήσης καθαριστικών με βάση την αμμωνία ή την αλκοόλη.
- Μην τοποθετείτε την οθόνη LCD κοντά σε παράθυρο. Έκθεση της οθόνης σε βροχή, υγρασία ή ηλιακό φως μπορεί να προκαλέσει σοβαρή ζημιά.
- Μην ασκείτε πίεση στην οθόνη LCD. Η υπερβολική πίεση μπορεί να προκαλέσει μόνιμη ζημιά στην οθόνη.
- Μην αφαιρείτε το κάλυμμα και μην επιχειρείτε να εκτελέσετε εργασίες συντήρησης στη συγκεκριμένη μονάδα μόνοι σας. Οι εργασίες συντήρησης οποιασδήποτε φύσεως πρέπει να εκτελούνται από εξουσιοδοτημένο τεχνικό.
- Αποθηκεύετε την οθόνη LCD σε δωμάτιο με θερμοκρασία από -20° έως 60° C (-4° έως 140° F). Η αποθήκευση της οθόνης LCD εκτός αυτού του εύρους θερμοκρασίας μπορεί να προκαλέσει μόνιμη ζημιά.
- Αποσυνδέστε αμέσως την οθόνη και καλέστε εξουσιοδοτημένο τεχνικό, εάν προκύψει οποιαδήποτε από τις ακόλουθες συνθήκες:
  - Το καλώδιο σήματος από την οθόνη στον υπολογιστή έχει ξεφτίσει ή έχει υποστεί ζημιά.
  - Χυθεί υγρό πάνω στην οθόνη LCD ή η οθόνη εκτεθεί στη βροχή.
  - Η οθόνη LCD ή το περίβλημα έχει υποστεί ζημιά.

## Προσάρτηση της οθόνης στη βάση

- Αφαιρέστε τη βάση της οθόνης από τη συσκευασία και τοποθετήστε την επάνω σε ένα σταθερό και επίπεδο χώρο εργασίας.
- Βγάλτε την οθόνη από τη συσκευασία.
- Συνδέστε το βραχίονα στηρίγματος της οθόνης στη βάση.
  - Βεβαιωθείτε ότι η βάση έχει ασφαλίσει στο βραχίονα στηρίγματος της οθόνης. (σε επιλεγμένα μοντέλα)
  - Ασφαλίστε τη βάση στο βραχίονα στηρίγματος της οθόνης, περιστρέφοντας τη βίδα με την πεπλατυσμένη γλωττίδα ή ένα κατάλληλο κέρμα. (σε επιλεγμένα μοντέλα)

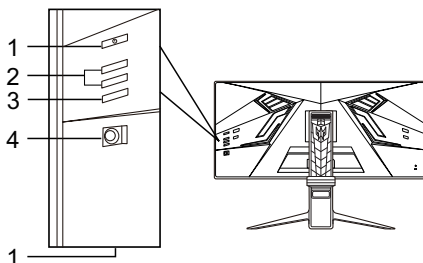
## Σύνδεση της οθόνης σε υπολογιστή

- Απενεργοποιήστε την οθόνη και αποσυνδέστε το καλώδιο τροφοδοσίας του υπολογιστή.
- 2-1 Σύνδεση καλωδίου HDMI
  - Βεβαιωθείτε ότι έχει διακοπεί η τροφοδοσία ρεύματος στην οθόνη και τον υπολογιστή.
  - Συνδέστε το καλώδιο HDMI στον υπολογιστή. Όταν χρησιμοποιείτε HDMI, μπορείτε να πατήσετε οποιοδήποτε κουμπί, εκτός από το κουμπί λειτουργίας, για να ενεργοποιήσετε την πηγή θύρας εισόδου εξόδου.
- 2-2 Σύνδεση καλωδίου DP (προεπιλεγμένη είσοδος)
  - Βεβαιωθείτε ότι έχει διακοπεί η τροφοδοσία ρεύματος στην οθόνη και τον υπολογιστή.
  - Συνδέστε το καλώδιο DP στον υπολογιστή.
- Τοποθετήστε το καλώδιο τροφοδοσίας της οθόνης στη θύρα τροφοδοσίας στο πίσω μέρος της οθόνης.
- Συνδέστε τα καλώδια τροφοδοσίας του υπολογιστή και της οθόνης σε μια κοινή πρίζα ηλεκτρικού ρεύματος.
- Επιλέξτε ενεργοποίηση/απενεργοποίηση για τη φόρτιση USB σε κατάσταση διακοπής λειτουργίας για να ενεργοποιήσετε/απενεργοποιήσετε τη λειτουργία φόρτισης USB σε κατάσταση διακοπής λειτουργίας.



## Εξωτερικά στοιχεία ελέγχου

Αρ.	Στοιχείο	Περιγραφή
1	Κουμπί/ένδειξη λειτουργίας	Ενεργοποιεί/απενεργοποιεί την οθόνη. Το μπλε χρώμα υποδεικνύει τροφοδοσία με ρεύμα. Το πορτοκαλί χρώμα υποδεικνύει λειτουργία αναμονής/εξοικονόμησης ενέργειας.
2	Πλήκτρο 1, 2 κουμπιά	Πατήστε για να ενεργοποιήσετε τη λειτουργία πλήκτρων καθορισμένων από το χρήστη.
3	Κουμπί εισόδου	Πατήστε για αλλαγή μεταξύ των πηγών εισόδου.
4	Κουμπί περιήγησης/OK	Πατήστε για να ενεργοποιήσετε το μενού OSD. Στη συνέχεια, μπορείτε να το χρησιμοποιείτε ως πλήκτρο κατεύθυνσης για να επισμαίνετε κάθε φορά τη λειτουργία που θέλετε. Πατήστε ξανά για να επιλέξετε μια λειτουργία.





## Κανονισμοί και ειδοποιήσεις ασφαλείας

### Ειδοποίηση της FCC

Αυτή η συσκευή έχει ελεγχθεί και διαπιστώθηκε ότι συμμορφώνεται με τα όρια για μια ψηφιακή συσκευή κατηγορίας Β, σύμφωνα με το Μέρος 15 των κανονισμών FCC. Αυτά τα όρια έχουν σχεδιαστεί ώστε να παρέχουν εύλογη προστασία έναντι επιβλαβών παρεμβολών σε μια οικιακή εγκατάσταση. Η παρούσα συσκευή παράγει, χρησιμοποιεί και μπορεί να εκπέμψει ενέργεια ραδιοσυχνοτήτων και, εάν δεν εγκατασταθεί και χρησιμοποιηθεί σύμφωνα με τις οδηγίες, μπορεί να επιφέρει επιβλαβείς παρεμβολές στις ραδιοεπικοινωνίες. Ωστόσο, δεν παρέχεται εγγύηση ότι δεν θα σημειωθούν παρεμβολές σε μια συγκεκριμένη εγκατάσταση. Εάν η παρούσα συσκευή προκαλεί επιβλαβείς παρεμβολές στη λήψη ραδιοφωνικού ή τηλεοπτικού σήματος, γεγονός που μπορεί να διαπιστωθεί με απενεργοποίηση και επανενεργοποίηση της συσκευής, ο χρήστης ενθαρρύνεται να δοκιμάσει να διορθώσει την παρεμβολή με ένα ή περισσότερα από τα ακόλουθα μέτρα:

- Αναπροσανατολίστε ή μετακινήστε την κεραία λήψης.
- Αυξήστε την απόσταση μεταξύ της συσκευής και του δέκτη.
- Συνδέστε τη συσκευή σε μια πρίζα που βρίσκεται σε διαφορετικό κύκλωμα από αυτό στο οποίο είναι συνδεδεμένος ο δέκτης.
- Συμβουλευτείτε τον αντιπρόσωπο ή έναν έμπειρο τεχνικό ραδιοφώνων/ηλεκτρονικών για βοήθεια.

### Δήλωση Συμμόρφωσης CE

Δια του παρόντος, η Acer Inc., δηλώνει ότι αυτή η οθόνη LCD συμμορφώνεται με τις βασικές απαιτήσεις και άλλες σχετικές διατάξεις της οδηγίας EMC 2014/30/EE, την Οδηγία Χαμηλής Τάσης 2014/35/EE, καθώς και την Οδηγία RoHS 2011/65/EE και την Οδηγία 2009/125/ΕΚ όσον αφορά τη θέσπιση ενός πλαισίου για τον καθορισμό απαιτήσεων οικολογικού σχεδιασμού για προϊόντα που σχετίζονται με την ενέργεια.

### Ειδοποίηση:

Για να αποφευχθεί ενδεχόμενη ζημιά στην οθόνη, μην την σκώνετε από τη βάση της.

### Ειδοποίηση: Θωρακισμένα καλώδια

Όλες οι συνδέσεις με άλλες υπολογιστικές συσκευές πρέπει να γίνονται με θωρακισμένα καλώδια για να διατηρηθεί η συμμόρφωση με τους κανονισμούς EMC.

### Ειδοποίηση: Περιφερειακές συσκευές

Μόνο περιφερειακές συσκευές (συσκευές εισόδου/εξόδου, τερματικά, εκτυπωτές κ.λπ.) που είναι πιστοποιημένες ως προς τη συμμόρφωση με τα όρια της κατηγορίας Β μπορούν να συνδεθούν σε αυτόν τον εξοπλισμό. Λειτουργία με μη πιστοποιημένα περιφερειακά είναι πιθανό να οδηγήσει σε παρεμβολές στη λήψη ραδιοφωνικού και τηλεοπτικού σήματος.

### Προσοχή

Αλλαγές ή τροποποιήσεις που δεν έχουν εγκριθεί ρητά από τον κατασκευαστή ενδέχεται να ακυρώσουν την άδεια του χρήστη, η οποία χορηγείται από την Ομοσπονδιακή Επιτροπή Επικοινωνιών, για τον χειρισμό αυτού του προϊόντος.

### Συνθήκες λειτουργίας

Αυτή η συσκευή συμμορφώνεται με το Μέρος 15 των κανονισμών FCC. Η λειτουργία της υπόκειται στις ακόλουθες δύο συνθήκες: (1) αυτή η συσκευή δεν μπορεί να προκαλέσει επιβλαβή παρεμβολή και (2) αυτή η συσκευή πρέπει να δέχεται οποιαδήποτε παρεμβολή που λαμβάνει, συμπεριλαμβανομένων των παρεμβολών που ενδέχεται να προκαλέσουν ανεπιθύμητη λειτουργία.

### Ειδοποίηση: Καναδοί χρήστες

Αυτή η ψηφιακή συσκευή κατηγορίας Β συμμορφώνεται με το καναδικό πρότυπο ICES-003.

### Remarque à l'intention des utilisateurs canadiens

Cet appareil numérique de la classe B est conforme à la norme NMB-003 du Canada.

### Απόρριψη άχρηστου εξοπλισμού από χρήστες σε ιδιωτικά νοικοκυριά στην Ευρωπαϊκή Ένωση



Αυτό το σύμβολο πάνω στο προϊόν ή πάνω στη συσκευασία υποδεικνύει ότι αυτό το προϊόν δεν πρέπει να απορρίπτεται μαζί με τα υπόλοιπα οικιακά απορρίμματα. Αντί γι' αυτό, είναι δική σας ευθύνη να απορρίψετε τον άχρηστο εξοπλισμό παραδίνοντάς τον σε ένα καθορισμένο σημείο συλλογής για την ανακύκλωση αποβλήτων ηλεκτρικού και ηλεκτρονικού εξοπλισμού. Η χωριστή συλλογή και ανακύκλωση του άχρηστου εξοπλισμού κατά τη στιγμή της απόρριψης θα βοηθήσει στη διατήρηση των φυσικών πόρων και θα διασφαλίσει ότι ανακυκλώνονται κατά τρόπο που προστατεύεται η ανθρώπινη υγεία και το περιβάλλον. Για περισσότερες πληροφορίες σχετικά με το πού μπορείτε να απορρίψετε τον άχρηστο εξοπλισμό σας για ανακύκλωση, επικοινωνήστε με το τοπικό γραφείο της πόλης σας, την υπηρεσία διάθεσης οικιακών απορριμμάτων ή το κατάστημα από όπου αγοράσατε το προϊόν.

## ΠΡΟΔΙΑΓΡΑΦΕΣ

Οθόνη LCD	Σύστημα οδήγησης	Έγχρωμη οθόνη LCD TFT	
	Μέγεθος	35" W (88,9 cm)	
	Βήμα pixel	0,24 mm (O) x 0,24 mm (K)	
	Φωτεινότητα	Εγγενής: 600 cd/m <sup>2</sup> , λειτουργία HDR: 1000 cd/m <sup>2</sup> (κορυφή)	
	Αντίθεση	2500:1	
	Γωνία προβολής	178° (O) 178° (K) (CR=10)	
	Χρόνος απόκρισης	2 ms (GTG)	
	Τύπος πάνελ	VA	
	Οριζόντια συχνότητα	HDMI: 30-150 KHz DP: 88-282 KHz	
Κατακόρυφη συχνότητα	HDMI: 24-100 Hz DP: 24-180 Hz		
Χρώματα οθόνης	16,7 Εκατομμύρια		
Συχνότητα κουκκίδων	HDMI 2.0: 543,5 MHz DP 1.4: 1017 MHz DP 1.4: 1056 MHz (λειτουργία υπερχρονισμού DP = ΕΝΕΡΓΟΠΟΙΗΜΕΝΗ)		
Μέγιστη ανάλυση	HDMI: 3440 x 1440 @ 100 Hz DP: 3440 x 1440 @ 180 Hz DP: 3440 x 1440 @ 200 Hz (Λεγτ. overclocking για G-Sync μόνο)		
Τοποθέτηση και άμεση λειτουργία	VESA DDCI/DDC2B		
Κλάση ενεργειακής απόδοσης	D		
* Ετήσια κατανάλωση ενέργειας	145 (kWh) (για μοντέλο εισόδου HDMI)		
Κατανάλωση ρεύματος (στα 200 nits)	Λειτουργία ενεργοποίησης	64,1 W (τυπική)	
	Λειτουργία αναμονής	0,50 W (τυπική)	
	Λειτουργία απενεργοποίησης	0,50 W (τυπική)	
Υποδοχή εισόδου	HDMI DP		
Σήμα βίντεο εισόδου	Σήμα HDMI DP		
Ηχεία	4 W x 2		
USB	USB 3.0 x 3		
Μέγιστο μέγεθος οθόνης	Οριζόντια: 819,408 mm Κατακόρυφη: 345,888 mm		
Πηγή ισχύος	20V — 14A		
Περιβαλλοντικά ζητήματα	Θερμοκρασία λειτουργίας: 0° έως 40°C Θερμοκρασία αποθήκευσης: -20° έως 60°C Υγρασία λειτουργίας: 20% έως 80%		
Διαστάσεις	833 (Π) x 450,5 ~ 580,5 (Υ) x 309 (Β) mm		
Βάρος (Κ. Β.)	13,39 kg (καθαρό)		
Προδιαγραφές μηχανισμού	Κλίση: -5° έως +25° (μόνο στο υψηλότερο σημείο μπορούν να προσφερθούν 25 μοίρες κλίσης για τη γωνία ανύψωσης) Περιστροφή: -30° έως +30° Ρύθμιση ύψους: 0 mm έως 130 mm Περιστροφή: Όχι Αποσπώμενη βάση: Ναι		
Εξωτερικά στοιχεία ελέγχου	Διακόπτης/κουμπιά	Κουμπιά λειτουργίας Πλήκτρο 1 Πλήκτρο 2	Εισόδος 5 πλήκτρο περιήγησης
	Λειτουργίες	Φωτεινότητα Αντίθεση Μπλε φως Dark Boost Απόκριση οπίσθ. φωτισμού SDR Variable Backlight Αυτ. φωτεινότητα Αυτ. επίπεδο μαύρου Σχετική τιμή γάμμα SDR Colors sRGB DP YCbCr sRGB HDMI YCbCr sRGB Θερμοκρασία χρώματος Ένταση ήχου Υπεροδήγηση Υπερχρονισμός	Σημείο στόχευσης Γλώσσα Χρονικό όριο OSD Διαφάνεια Συχνότητα ανανέωσης Κλειδί OSD Εισόδος Φωτισμός περιβάλλοντος Αντιστοίχιση πλήκτρου συντόμευσης Λειτουργία ευρείας οθόνης Πλήρης αναστολή λειτουργίας Λειτουργία γρήγορης έναρξης Απενεργοποίηση φόρτισης USB Πληροφορίες οθόνης Επαναφορά όλων των ρυθμίσεων Έξοδος
Όλες οι προδιαγραφές υπόκεινται σε αλλαγές χωρίς προειδοποίηση.			

Βρείτε τα εγχειρίδια και τη λοιπή τεκμηρίωση για το προϊόν Acer στην επίσημη ιστοσελίδα υποστήριξης της Acer.

\* Η ετήσια ενεργειακή κατανάλωση υπολογίζεται με βάση την τυπική κατανάλωση ρεύματος 4 ώρες ανά ημέρα, 365 ημέρες ετησίως.

# Stručný sprievodca spustením (Quick Start Guide – QSG) LCD monitora Acer

## Dôležité bezpečnostné pokyny

Tieto pokyny si pozorne prečítajte.

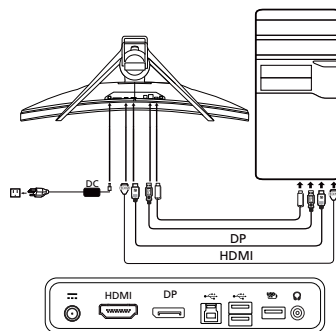
- Na čistenie obrazovky LCD monitora: Ubezpečte sa, že menovité elektrické hodnoty vášho monitora sú vhodné na prevádzku pri napájaní striedavým prúdom dostupnom vo vašej lokalite.
  - Vypnite LCD monitor a vytlahnite napájací kábel zo zásuvky.
  - Nastriekajte na handričku čistiaci roztok neobsahujúci rozpúšťadlá a jemne obrazovku vyčistite.
  - NIKDY NESTRIEKAJTE ŽIADNU TEKUTINU PRIAMO NA OBRAZOVKU ANI NA KRYT.**
  - NEPOUŽÍVAJTE NA LCD OBRAZOVKU ANI NA KRYT ŽIADNE ČISTIACE PROSTRIEDKY S OBSAHOV AMÓNIA ALEBO ALKOHOLU.**
  - Spoločnosť Acer nenesie zodpovednosť za poškodenie v dôsledku použitia čistiacich prostriedkov s obsahom amónia alebo alkoholu.
- Neumiestňujte LCD monitor blízko okna. Vystavenie monitora dažďu, vlhkosti alebo svetlu ho môže vážne poškodiť.
- LCD obrazovku nevystavujte tlaku. Nadmerný tlak môže spôsobiť trvalé poškodenie displeja.
- Neodstraňujte kryt, ani sa nepokúšajte opravovať tento prístroj vlastnoručne. Servis akéhokoľvek druhu má vykonať autorizovaný technik.
- LCD monitor skladujte v miestnosti s teplotou -20 °C až 60 °C (-4 °F až 140 °F). Skladovanie LCD monitora v prostredí mimo tohto rozsahu môže viesť k trvalému poškodeniu.
- Monitor okamžite vypojte zo siete a volajte autorizovaného technika, ak dôjde k niektorej z nasledujúcich situácií:
  - Signálny kábel medzi monitorom a PC je rozstrapkaný alebo poškodený.
  - Na LCD monitor sa vyleje tekutina alebo je monitor vystavený dažďu.
  - Dôjde k poškodeniu LCD monitora alebo puzdra.

## Prípevnenie monitora na podstavec

- Podstavec monitora vyberte z balenia a umiestnite ho na stabilný a rovný pracovný povrch.
- Vyberte monitor z balenia.
- Prípevnite rameno stojana monitora k podstavcu.
  - Ubezpečte sa, že podstavec je uzamknutý do ramena stojana monitora. (pre vybrané modely)
  - Upevnite podstavec na rameno stojana monitora otáčaním skrutky, pričom použijete integrované uško alebo vhodnú mincu. (pre vybrané modely)

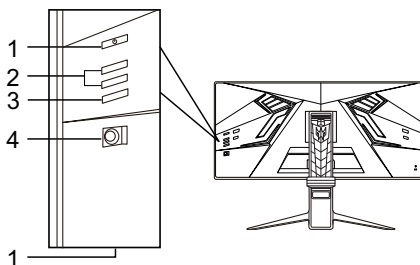
## Pripojenie monitora k počítaču

- Vypnite monitor a odpojte napájací kábel počítača.
- 2-1 Pripojte kábel HDMI
  - Zabezpečte, aby bol monitor i počítač VYPNUTÝ.
  - Pripojte kábel HDMI k počítaču.
- Počas používania HDMI stlačte akékoľvek tlačidlo okrem tlačidla napájania a aktivujete zdroj I/O portu.
- 2-2 Pripojte kábel DP (Predvolený vstup)
  - Zabezpečte, aby bol monitor i počítač VYPNUTÝ.
  - Pripojte kábel DP k počítaču.
- Pripojte napájací kábel monitora do portu napájania na zadnej strane monitora.
- Zapojte napájacie káble počítača a monitora do elektrickej zásuvky v dosahu.
- Na zapnutie/vypnutie funkcie nabíjania cez USB vyberte Power-off USB charge ON/OFF.



## Vonkajšie ovládače

Č.	Položka	Popis
1	Tlačidlo/kontrolka napájania	Slúži na zapnutie/vypnutie monitora. Modrá farba indikuje zapnutie. Oranžová indikuje pohotovostný režim/ režim šetrenia energiou.
2	Tlačidlá klávesovej skratky 1 a 2	Stlačením tlačidla aktivujete funkciu klávesovej skratky predvolenú používateľom.
3	Tlačidlo Vstup	Stlačením tlačidla prepnete vstupné zdroje.
4	Smerové/ potvrdzovacie tlačidlo	Stlačením tlačidla aktivujete ponuku OSD, potom ho použijete ako smerové tlačidlo a vyberte požadovanú funkciu. Opätovným stlačením tlačidla potvrdíte výber.



## Predpisy a bezpečnostné upozornenia

### Upozornenie úradu FCC

Toto zariadenie bolo testované a zistilo sa, že spĺňa limity pre digitálne zariadenie triedy B podľa časti 15 pravidiel FCC. Tieto limity sú stanovené tak, aby sa v zmysluplnej miere zabezpečila ochrana proti škodlivému rušeniu pri umiestnení v obytnej zóne. Toto zariadenie generuje, používa a môže vyžarovať vysokofrekvenčnú energiu a ak nie je nainštalované a používané v súlade s pokynmi, môže spôsobovať škodlivé rušenie rádiových komunikácií.

Neexistuje však záruka, že pri konkrétnom umiestnení k rušeniu nedôjde. Ak toto zariadenie spôsobuje škodlivé rušenie príjmu rádiového alebo televízneho signálu, čo možno zistiť zapnutím a vypnutím zariadenia, používateľ by sa mal pokúsiť o nápravu rušenia prijatím jedného alebo viacerých z nasledujúcich opatrení:

- Zmeňte orientáciu zariadenia alebo premiestnite prijímaciu anténu.
- Predĺžte vzdialenosť medzi zariadením a prijímačom.
- Zapojte zariadenie do zásuvky na inom okruhu, než je zapojený prijímač.
- Poradte sa s predajcom alebo skúseným rádiovým/televíznym technikom.

### Vyhľadanie o zhode so smernicami ES

Spoločnosť Acer Inc. týmto prehlasuje, že tento LCD monitor spĺňa základné požiadavky a ďalšie príslušné ustanovenia smernice o EMK 2014/30/EÚ, smernice o nízkom napätí 2014/35/EÚ, smernicu RoHS 2011/65/EÚ a smernicu 2009/125/ES o vytvorení rámca na stanovenie požiadaviek na ekodizajn energetických výrobkov.

### Upozornenie:

V rámci prevencie pred poškodením nezdvíhajte monitor za jeho podstavec.

### Upozornenie: Tienené káble

Všetky pripojenia k iným počítačovým zariadeniam musia byť vykonané s použitím tienených káblov, aby sa dodržala zhoda s predpismi o EMK.

### Upozornenie: Periférne zariadenia

K tomuto zariadeniu možno pripojiť iba periférne zariadenia (vstupné/výstupné zariadenia, terminály, tlačiarne, atď.) certifikované na zhodu s limitmi triedy B. Prevádzka s necertifikovanými periférnymi zariadeniami bude mať pravdepodobne za následok rušenie rádiového a televízneho príjmu.

### Pozor

Zmeny alebo modifikácie, ktoré nie sú výslovné schválené výrobcom, môžu mať za následok zneplatnenie oprávnenia používateľa prevádzkovať tento produkt, ktoré udeľuje Federal Communications Commission (FCC – Federálny výbor pre komunikácie v USA).

### Prevádzkové podmienky

Toto zariadenie je v súlade s časťou 15 smerníc FCC. Prevádzka podlieha týmto dvom podmienkam: (1) toto zariadenie nesmie spôsobovať škodlivé rušenie a (2) toto zariadenie musí zniesť akékoľvek prijaté rušenie, vrátane rušenia, ktoré môže spôsobiť nežiaducu prevádzku.

### Upozornenie: Pre používateľov v Kanade

Tento digitálny prístroj triedy B zodpovedá kanadskej norme ICES-003.

### Remarque à l'intention des utilisateurs canadiens

Cet appareil numérique de la classe B est conforme à la norme NMB-003 du Canada.

### Likvidácia nepotrebného zariadenia používateľmi v súkromných domácnostiach v Európskej únii.



Tento symbol na produkte alebo na jeho balení indikuje, že tento produkt sa nesmie likvidovať spolu s iným odpadom z domácnosti. Namiesto toho ste zodpovední za likvidáciu svojho nepotrebného zariadenia tak, že ho odovzdáte na určenom zbernom mieste pre recykláciu odpadu z elektrických a elektronických zariadení. Separovaný zber a recyklácia nepotrebného zariadenia na konci jeho životnosti pomôžu zachovať prírodné zdroje a zabezpečiť, aby bolo recyklované spôsobom, ktorý chráni ľudské zdravie a životné prostredie. Pre ďalšie informácie o tom, kde môžete odovzdať svoje nepotrebné zariadenie na recykláciu, sa obráťte na svoj miestny mestský úrad, služby nakladania s odpadom, ktoré vaša domácnosť využíva, alebo obchod, kde ste produkt zakúpili.

# ŠPECIFIKÁCIE

LCD Panel	Druh monitora	Farebný TFT LCD
	Veľkosť	35" W (88,9 cm)
	Rozstup bodov	0,24 mm (H) x 0,24 mm (V)
	Jas	Natívne: 600 cd/m <sup>2</sup> ; režim HDR: 1000 cd/m <sup>2</sup> (špička)
	Kontrast	2 500:1
	Pozorovací uhol	178° (H) 178° (V) (CR = 10)
	Doba odozvy	2 ms (GTG)
	Typ panela	VA
	Horizontálna frekvencia	HDMI: 30 – 150 KHz DP: 88 – 282 KHz
Vertikálna frekvencia	HDMI: 24 – 100 Hz DP: 24 – 180 Hz	
Farby displeja	16,7 milióna	
Max. obnovovacia frekvencia bodov	HDMI 2.0: 543,5 MHz DP 1.4: 1017 MHz DP 1.4: 1056 MHz (funkcia pretaktovania = ZAP.)	
Maximálne rozlíšenie	HDMI: 3440 x 1440 @ 100 Hz DP: 3440 x 1440 @ 180 Hz DP: 3440 x 1440 @ 200 Hz (Režim pretaktovania len pre G-Sync)	
Technológia Plug & Play	VESA DDCI/DDC2B	
Trieda energetickej účinnosti	D	
*Ročná spotreba energie	145 (kWh) (pre model so vstupom HDMI)	
Príkon (pri 200 nitov)	Režim zapnutia	64,1 W (charakteristicky)
	Režim spánku	0,50 W (charakteristicky)
	Režim vypnutia	0,50 W (charakteristicky)
Vstupný konektor	HDMI DP	
Vstupný signál videa	Signál HDMI DP	
Reproduktozy	4 W x 2	
USB	USB 3.0 x 3	
Maximálna veľkosť obrazovky	Horizontálne: 819,408 mm Vertikálne: 345,888 mm	
Zdroj napájania	20V --- 14A	
Podmienky prostredia	Prevádzková teplota: 0 až 40 °C Teplota skladovania: -20 až 60 °C Prevádzková vlhkosť: 20 % až 80 %	
Rozmery	833 (Š) x 450,5 ~ 580,5 (V) x 309 (H) mm	
Hmotnosť (netto)	13,39 kg (netto)	
Špecifikácie mechanizmu	Vyklopenie: -5° až +25° (iba v najvyššom bode možno ponúknuť 25 stupňov zaklopenia pre uhol elevácie) Otáčanie: -30° až +30° Nastavenie výšky: 0 mm až 130 mm Vykĺpanie: Nie Odpojiteľný stojan: Áno	
Vonkajšie ovládače	Prepínač/tlačidlá	Tlačidlo zapnutia Tlačidlo klávesovej skratky 1 Tlačidlo klávesovej skratky 2 Vstup 5 Smerové tlačidlo
	Funkcie	Jas Kontrast Modré svetlo Dark Boost Odozva podsivietenia SDR Variable Backlight Automatický jas Autom. úroveň čiernej Relatívna Gama SDR Colors sRGB DP YCbCr sRGB HDMI YCbCr sRGB Teplota farieb Hlasitosť Pretaktovanie Pretaktovanie Mieridlo Jazyk Časový limit OSD Priehľadnosť Hodnota obnovovacej frekvencie Zámok ponuky na obrazovke Vstup Osvetlenie okolia Priradenie klávesových skratiek Širokouhlý režim Režim hlbokého spánku Režim rýchleho spustenia Nabíjanie cez USB vo vypnutom stave Informácie o displeji Obnovenie pôvodných nastavení Skončenie
Všetky špecifikácie môžu podliehať zmenám bez predchádzajúceho oznámenia.		

Na oficiálnych webových stránkach podpory spoločnosti Acer nájdete príručku a iné dokumenty pre svoj produkt značky Acer.

\*Ročná spotreba energie sa vypočíta s použitím charakteristickej spotreby energie 4 hodiny denne, 365 dní v roku.

# Guide til hurtig opstart af LCD-skærm fra Acer (QSG)

## Vigtige sikkerhedsinstruktioner

Læs følgende instruktioner grundigt.

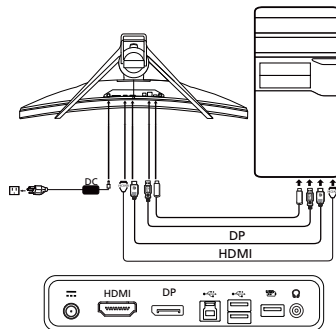
- Sådan rengøres LCD-skærmen: Sørg for, at skærmen er elektrisk klassificeret til at fungere med den tilgængelige vekselstrøm, hvor du befinder dig.
  - Sluk for LCD-skærmen, og tag netledningen ud.
  - Sprøjt et rengøringsmiddel uden opløsningsmidler på en klud, og rengør skærmen forsigtigt.
  - DU MÅ IKKE SPRØJTE ELLER HÆLDE NOGEN FORM FOR VÆSKE DIREKTE PÅ SKÆRMEN ELLER BAGBEKLÆDNINGEN.**
  - DU MÅ IKKE BRUGE AMMONIAK- ELLER ALKOHOLBASEREDE RENGØRINGSMIDLER PÅ LCD-SKÆRMEN ELLER BAGBEKLÆDNINGEN.**
  - Acer er ikke ansvarlig for skader, som resultat af brugen af ammoniak- eller alkoholbaserede rengøringsmidler.
- Placer ikke LCD-skærmen i nærheden af et vindue. Skærmen kan blive alvorligt beskadiget, hvis den udsættes for regn, fugt eller sollys.
- Udsæt ikke LCD-skærmen for tryk. For højt tryk kan forårsage permanent skade på skærmen.
- Fjern ikke bagbeklædningen, og forsøg ikke selv at udføre reparationer på enheden. En autoriseret tekniker bør foretage enhver form for eftersyn.
- Opbevar LCD-skærmen i et rum med en temperatur på -20° til 60° C. Opbevaring af LCD-skærmen uden for dette temperaturområde kan medføre permanent beskadigelse.
- Tag øjeblikkeligt alle stik fra skærmen ud, og kontakt en autoriseret tekniker, hvis nogen af følgende situationer opstår:
  - Skærm til PC-signalkablet er flosset eller beskadiget.
  - Væske spildes på LCD-skærmen, eller skærmen udsættes for regn.
  - LCD-skærmen eller bagbeklædningen er beskadiget.

## Montering af skærmen på foden

- Tag skærmfoden ud af emballagen, og anbring den på et stabilt og jævnt arbejdsområde.
- Tag skærmen ud af emballagen.
- Monter skærmsoklens arm på foden.
  - Sørg for, at foden er låst fast på skærmsoklens arm. (for udvalgte modeller)
  - Fastgør foden til skærmsoklens arm ved at dreje skruen med en skive eller en passende mønt. (for udvalgte modeller)

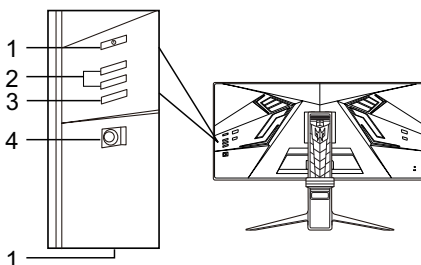
## Tilslutning af skærmen til en computer

- Sluk skærmen, og tag computerens netledning ud af stikket.
- 2-1 Tilslut HDMI-kablet
  - Sørg for, at både skærmen og computeren er slukket.
  - Tilslut HDMI-kablet til computeren.  
Når du bruger HDMI, kan du trykke på en vilkårlig tast, bortset fra tænd/sluk-knappen, for at aktivere kilden i I/O-porten.
- 2-2 Tilslut DP-kablet (Standardindgang)
  - Sørg for, at både skærmen og computeren er slukket.
  - Tilslut DP-kablet til computeren.
- Sæt skærmens strømkabel i strømstikket på bagsiden af skærmen.
- Tilslut computerens og skærmens strømkabler til en stikkontakt i nærheden.
- Vælg Deaktiver USB-oplading TIL/FRA for at aktivere/deaktivere funktionen Deaktiver USB-oplading.



## Udvendige knapper

Nr.	Punkt	Beskrivelse
1	Tænd/sluk-knap/indikator	Tænder og slukker for skærmen. Blå angiver, at skærmen er tændt. Gul angiver standby/strømbesparende tilstand.
2	Genvej 1, 2 knapper	Tryk for at aktivere brugerdefineret genvejsfunktion.
3	Indgangsknap	Tryk for at skifte indgangskilde.
4	Navigations-/OK-knap	Tryk for at aktivere OSD-menuen, og brug den derefter som navigationsknap til at fremhæve den ønskede funktion. Tryk igen for at foretage et valg.



# Regler og sikkerhedsforskrifter

## FCC-forskrifter

Denne enhed er blevet testet og fundet i overensstemmelse med grænserne for en digital enhed i klasse B i henhold til afsnit 15 i FCC-reglerne. Disse grænser er fastsat for at yde rimelig beskyttelse mod skadelig interferens i beboelsesinstallationer. Denne enhed genererer, bruger og kan udstråle radiofrekvensenergi. Hvis produktet ikke installeres og bruges i overensstemmelse med instruktionerne, kan det forårsage skadelig interferens for radiokommunikation.

Der er dog ingen garanti for, at interferens ikke vil forekomme i en bestemt installation. Hvis denne enhed forårsager skadelig interferens ved radio- eller tv-modtagelse, hvilket kan fastslås ved at slukke for enheden og tænde den igen, opfordres brugeren til at forsøge at afhjælpe interferensen ved en eller flere af følgende foranstaltninger:

- Juster eller flyt modtagerantennen.
- Forøg afstanden mellem enheden og modtageren.
- Slut enheden til en stikkontakt på et andet kredsløb end det, modtageren er tilsluttet.
- Kontakt forhandleren eller en erfaren radio/tv-tekniker for at få hjælp.

## CE-overensstemmelseserklæring

Acer Inc. erklærer herved, at denne LCD-skærm overholder de væsentlige krav og andre relevante bestemmelser i EMC-direktivet 2014/30/EU, lavspændingsdirektivet 2014/35/EU og RoHS-direktivet 2011/65/EU og direktiv 2009/125/EF om rammerne for fastlæggelse af krav til miljøvenligt design af energirelaterede produkter.

### Bemærk:

Løft ikke skærmen i dens fod for at undgå at beskadige skærmen.

### Bemærk: Afskærmede kabler

Alle forbindelser til andre computerenheder skal foretages med afskærmede kabler for at overholde EMC-reglerne.

### Bemærk: Eksterne enheder

Kun eksterne enheder (indgående/udgående enheder, terminaler, printere osv.), som er certificeret i overensstemmelse med klasse B-grænserne, må tilsluttes dette udstyr. Brug af ikke-certificerede enheder forventes at medføre interferens i radio- og tv-modtagelse.

### Forsigtig

Ændringer eller modifikationer, som ikke er udtrykkeligt godkendt af producenten, kan ugyldiggøre brugerens ret, som er ydet af FCC (Federal Communications Commission), til at bruge dette produkt.

## Driftsbetingelser

Denne enhed overholder afsnit 15 i FCC-reglerne. Driften er underlagt følgende to betingelser: (1) denne enhed må ikke forårsage skadelig interferens, og (2) enheden skal acceptere modtaget interferens, herunder interferens, der kan forårsage uønsket drift.

### Bemærk: Canadiske brugere

Denne digitale enhed i klasse B overholder den canadiske ICES-003.

### Remarque à l'intention des utilisateurs canadiens

Cet appareil numérique de la classe B est conforme à la norme NMB-003 du Canada.

## Bortskaffelse af udstyr af brugere i private husholdninger i den Europæiske Union



Dette symbol på produktet eller emballagen angiver, at dette produkt ikke må bortskaffes sammen med det øvrige husholdningsaffald. I stedet er det dit ansvar at bortskaffe udstyret ved at aflevere det på et angivet indsamlingssted for genanvendelse af elektrisk og elektronisk udstyr. Separat indsamling og genanvendelse af udstyret er med til at bevare naturlige ressourcer og sikre, at det genbruges på en måde, der beskytter menneskers sundhed og miljøet. For flere oplysninger om, hvor du kan aflevere dit udstyr til genbrug, skal du kontakte din kommune, dit renovationselskab eller den butik, hvor du købte produktet.

## SPECIFIKATIONER

LCD-panel	Driversystem	TFT farve-LCD	
	Størrelse	35"W (88,9 cm)	
	Pixelafstand:	0,24 mm (H) x 0,24 mm (V)	
	Lysstyrke	Oprindelig: 600 cd/m <sup>2</sup> ; HDR-tilstand: 1000 cd/m <sup>2</sup> (højest)	
	Kontrast	2500:1	
	Betragtningsvinkel	178° (H) 178° (V) (CR=10)	
	Svartid	2 ms (GTG)	
	Paneltype	VA	
	H-frekvens	HDMI: 30 - 150 KHz DP: 88 - 282 KHz	
V-frekvens	HDMI: 24 - 100 Hz DP: 24 - 180 Hz		
Skærmfarver	16,7 millioner		
Pixelfrekvens	HDMI 2.0: 543,5 MHz DP 1.4: 1017 MHz DP 1.4: 1056 MHz (DP-over clock function = ON)		
Maksimal opløsning	HDMI: 3440 x 1440 @ 100 Hz DP: 3440 x 1440 @ 180 Hz DP: 3440 x 1440 @ 200 Hz (Kun overclocking-tilstand for G-Sync)		
Plug & Play	VESA DDCCI/DDC2B		
Energiklasse	D		
*Årligt energiforbrug	145 (kWh) (til model med HDMI-indgang)		
Strømforbrug (ved 200 enheder)	Tændt tilstand	64,1 W (typisk)	
	Slumretilstand	0,50 W (typisk)	
	Slukket tilstand	0,50 W (typisk)	
Indgangsstik	HDMI DP		
Videoindgangssignal	HDMI-signal DP		
Højttalere	4 W x 2		
USB	USB 3.0 x 3		
Maksimal skærmstørrelse	Vandret: 819,408 mm Lodret: 345,888 mm		
Strømkilde	20V $\overline{\text{---}}$ 14A		
Miljøhensyn	Driftstemperatur: 0° til 40° C Opbevarings-temp.: -20° til 60° C Luftfugtighed ved drift: 20 % til 80 %		
Mål	833 (B) x 450,5 - 580,5 (H) x 309 (D) mm		
Vægt (N. W.)	13,39 kg (netto)		
Funktionspecifikationer	Hældning: -5° til +25° (der kan kun opnås en bagudvendt hældning på 25 grader i den højeste position) Drejning: -30° til +30° Højdeindstilling: 0 mm til 130 mm Drejetap: Nej Aftagelig fod: Ja		
Udvendige knapper	Knapper	Tænd/sluk-knap Genvej 1 Genvej 2	Indgang 5 Navigationsknap
	Funktioner	Lysstyrke Kontrast Blått lys Dark Boost Baggrundslysrespons SDR Variable Backlight Automatisk lysstyrke Automatisk sortniveau Relativ gamma SDR Colors sRGB DP YCbCr sRGB HDMI YCbCr sRGB Farvetemperatur Lydstyrke Overgear Overclock	Sigtekikkert Sprog OSD-timeout Gennemsigthed Opdateringshastighed OSD-lås Indgang Omgivende belysning Tildel genvejstaster Bredformat Dyb dvale Hurtig opstart Sluk for USB-oplading Oplysninger om skærm Nulstil alle indstillinger Afslut
Alle specifikationer kan ændres uden varsel.			

Find vejledninger og andre dokumenter til dit Acer-produkt på Acers officielle support-websted.

\*Årligt energiforbrug er beregnet på baggrund af det typiske strømforbrug i 4 timer om dagen, 365 dage om året.



## Acer-LCD-näytön pika-asennusopas (QSG)

### Tärkeitä turvaohjeita

Lue seuraavat ohjeet huolellisesti.

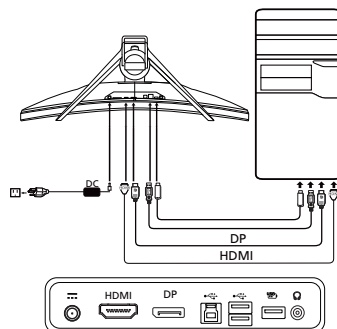
- LCD-näytön puhdistaminen: Varmista, että näytön nimellisvirta vastaa alueellasi saatavilla olevaa verkkovirtaa.
  - Katkaise LCD-näytön virta ja irrota virtajohdon pistoke pistorasiasta.
  - Suihkuta ei-liuottavaa puhdistusliuosta liinalle ja puhdista näyttö varovasti.
  - ÄLÄ KOSKAAN RUISKUTA TAI KAADA NESTETTÄ SUORAAN RUUDULLE TAI KOTELOLLE.**
  - ÄLÄ KÄYTÄ AMMONIAKKI- TAI ALKOHOLIPOHJAJAISIA PUHDISTUSAINEITA LCD-NÄYTÖN RUUDULLE TAI KOTELOLLE.**
  - Acer ei ole vastuussa vaurioista, jotka johtuvat ammoniakki- tai alkoholipohjaisten puhdistusainesten käytöstä.
- Älä sijoita LCD-näyttöä ikkunan lähelle. Näytön altistuminen sateelle, kosteudelle tai auringonvalolle voi vaurioittaa näyttöä vakavasti.
- Älä kohdista LCD-näyttöön painetta. Liiallinen paine voi aiheuttaa näytölle pysyviä vaurioita.
- Älä poista suojusta tai yritä huoltaa laitetta itse. Valtuutetun huoltoteknikon tulee suorittaa kaikki huoltotyöt.
- Säilytä LCD-näyttö huoneessa, jonka lämpötila on -20 - +60 °C (-4 - 140 °F). LCD-näytön säilyttäminen tämän lämpötila-alueen ulkopuolella voi johtaa pysyviin vaurioihin.
- Irrota näyttö heti pistorasiasta ja ota yhteys valtuutettuun teknikkoon seuraavissa tilanteissa:
  - Näytön ja tietokoneen välinen signaalkaapeli on kulunut tai vaurioitunut.
  - LCD-näytölle on roiskunut nestettä tai näyttö on altistunut sateelle.
  - LCD-näyttö tai sen kotelo on vahingoittunut.

### Näytön kiinnittäminen jalustaan

- Poista näytön jalusta pakkauksestaan ja aseta se tukevalle ja tasaiselle pinnalle.
- Poista näyttö pakkauksestaan.
- Kiinnitä näyttöjalustan varsi jalustaan.
  - Varmista, että jalusta on lukittu näyttöjalustan varteen (tietyissä malleissa).
  - Kiinnitä jalusta näyttöjalustan varteen kiertämällä ruuvia litteäpäisellä esineellä (kuten ruuvimeisselillä) tai sopivalla kolikolla (tietyissä malleissa).

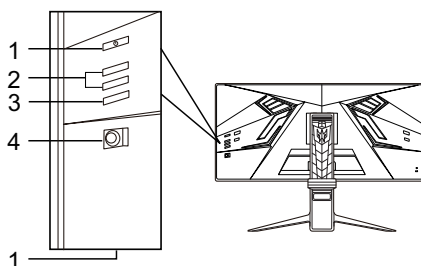
### Näytön liittäminen tietokoneeseen

- Katkaise näytön virta ja irrota tietokoneen pistoke pistorasiasta.
- 2-1 Liitä HDMI-kaapeli
  - Varmista, että näyttö ja tietokone on sammutettu.
  - Liitä HDMI-kaapeli tietokoneeseen.  
Kun HDMI on käytössä, voit aktivoida I/O-portin lähteen painamalla mitä tahansa painiketta (paitsi virtapainiketta).
- 2-2 Liitä DP-kaapeli (oletustulo).
  - Varmista, että näyttö ja tietokone on sammutettu.
  - Liitä DP-kaapeli tietokoneeseen.
- Kytke näytön virtajohto näytön takana olevaan virtaliitäntään.
- Kytke tietokoneen ja näytön virtapistokkeet läheiseen pistorasiaan.
- Voit ottaa Virta pois päältä USB-lataus-toiminnon käyttöön tai poistaa sen käytöstä valitsemalla Virta pois päältä USB-lataus.



### Ulkoiset ohjauslaitteet

Nro	Kohta	Kuvaus
1	Virtapainike/ merkkivalo	Kytkee näytön virran päälle ja pois päältä. Sininen merkkivalo tarkoittaa, että virta on kytkettyä. Oranssi merkkivalo tarkoittaa valmiustilaa/virransäätötilaa.
2	Pikanäppäin 1, 2 painiketta	Painamalla pikanäppäintä voit käyttää käyttäjän määrittämää pikanäppäintoimintoa.
3	Tulo-painike	Painamalla painiketta voit vaihtaa tulolähdettä.
4	Navigointi-/ OK-painike	Tällä painikkeella voit avata OSD-valikon, selata sitä ja korostaa haluamasi toiminnon. Vahvista valinta painamalla sitä uudelleen.



# Määräykset ja turvallisuusilmoitukset

## FCC-ilmoitus

Tämä laite on testattu ja sen on todettu olevan FCC:n sääntöjen osan 15 mukaisten luokan B digitaalisen laitteen asettujen rajoitusten mukainen. Nämä rajoitukset määrittävät riittävän suojauksen haitallisilta häiriöiltä kotitalousennuksissa. Tämä laite muodostaa, käyttää ja saattaa säteillä radiotaajuusenergiaa. Jos sitä ei asenneta ja käytetä ohjeiden mukaisesti, se saattaa aiheuttaa haitallisia häiriöitä radioliikenteelle.

Mitään takeita häiriöttömyydestä ei voida kuitenkaan antaa. Jos tämä laite aiheuttaa haitallisia häiriöitä radio- ja TV-vastaanotolle (häiriö voidaan havaita katkaisemalla laitteesta virta ja kytkemällä se uudelleen), käyttäjää kehoitetaan korjaamaan häiriöt jollakin seuraavista tavoista:

- muuttamalla vastaanottoantennin asentoa tai paikkaa
- siirtämällä vastaanotin ja laite kauemmaksi toisistaan
- liittämällä laite pistorasiaan, joka kuuluu eri virtapiiriin kuin mihin vastaanotin on kytketty
- pyytämällä apua jälleenmyyjältä tai kokoneelta radio- ja TV-asentajalta.

## CE-vaatimustenmukaisuusvakuutus

Acer Inc. vakuuttaa täten, että tämä LCD-näyttö on seuraavien direktiivien oleellisten vaatimusten ja muiden ehtojen mukainen: EMC-direktiivi 2014/30/EU, pienjännittdirektiivi 2014/35/EU, RoHS-direktiivi 2011/65/EU ja direktiivi 2009/125/EY energiaan liittyvien tuotteiden ekologiselle suunnittelulle asetettavien vaatimusten puitteista.

## Huomautus:

Älä nosta näyttöä sen pohjasta, jotta se ei vahingoittuisi.

## Huomautus: Suojatut kaapelit

Kaikki liitännät muihin tietokonelaitteisiin tulee tehdä suojatuilla kaapeleilla EMC-direktiivin säännösten mukaisesti.

## Huomautus: Oheislaitteet

Tähän laitteeseen voi liittää vain sellaisia oheislaitteita (tiedonsiirtolaitteet, päätteet, tulostimet jne.), jotka on sertifioitu luokan B rajoitusten mukaisiksi. Käyttö ei-sertifioitujen oheislaitteiden kanssa aiheuttaa todennäköisesti häiriöitä radio- ja TV-vastaanotolle.

## Varoitus

Muutokset, joita valmistaja ei ole erikseen hyväksynyt, saattavat mitätöidä FCC:n (Federal Communications Commission) käyttäjälle myöntämän luvan käyttää tätä laitetta.

## Käyttöehdot

Tämä laite on FCC:n sääntöjen osan 15 mukainen. Käyttö on seuraavien ehtojen alaisista: (1) Tämä laite ei saa aiheuttaa haitallisia häiriöitä, ja (2) tämän laitteen on hyväksyttävä kaikki vastaanotettu häiriö, mukaan lukien häiriöt, jotka saattavat aiheuttaa virheellistä käyttöä.

## Huomautus: Kanadassa asuvat käyttäjät

Tämä luokan B digitaalinen laite on Kanadan ICES-003-standardin mukainen.

## Remarque à l'intention des utilisateurs canadiens


Cet appareil numérique de la classe B est conforme à la norme NMB-003 du Canada.

## Käytöstä poistettujen laitteiden hävittäminen kotitalouksissa Euroopan unionin alueella



Tämä laitteeseen tai sen pakkaukseen merkitty symboli tarkoittaa, että laitetta ei saa hävittää muun kotitalousjätteen mukana. Vastuullasi on viedä käytöstä poistettu laite sille tarkoitettuun elektronisten laitteiden ja sähkölaitteiden keräyspisteeseen kierrätettäväksi. Käytöstä poistetun laitteen erillinen keräys ja kierrätys auttavat säästämään luonnonvaroja ja varmistaa, että laite kierrätetään ihmisten terveyttä ja ympäristöä suojaavalla tavalla. Lisätietoa siitä, mihin voit viedä käytöstä poistetun laitteen kierrätettäväksi, saat ottamalla yhteyttä paikallisiin viranomaisiin, kierrätyskeskukseen tai jälleenmyyjään, jolta ostit laitteen.

# TEKNISET TIEDOT

LCD-paneeli	Ohjausjärjestelmä	TFT Color LCD	
	Koko	35"W (88,9 cm)	
	Pikseliväli	0,24 mm (V) x 0,24 mm (P)	
	Kirkkaus	Natiivi: 600 cd/m <sup>2</sup> ; HDR-tila: 1000 cd/m <sup>2</sup> (huippu)	
	Kontrasti	2500:1	
	Katselukulma	178° (V) 178° (P) (CR=10)	
	Vasteaika	2 ms (GTG)	
	Paneelityyppi	VA	
	H-taajuus	HDMI: 30 - 150 KHz DP: 88 - 282 KHz	
V-taajuus	HDMI: 24 - 100 Hz DP: 24 - 180 Hz		
Näyttövärit	16,7 miljoonaa		
Pistekellotaajuus	HDMI 2.0: 543,5 MHz DP 1.4: 1017 MHz DP 1.4: 1056 MHz (DP-ylikellotustoiminto = ON)		
Enimmäistarkkuus	HDMI: 3440 x 1440 @ 100 Hz DP: 3440 x 1440 @ 180 Hz DP: 3440 x 1440 @ 200 Hz (Ylikellotustila vain G-Syncille)		
Plug & Play	VESA DDCC/DDC2B		
Energiatohokkuusluokka	D		
*Vuosittainen energiankulutus	145 (kWh) (HDMI-tulomallissa)		
Virrankulutus (200 nitia)	Päällä	64,1 W (tyypillinen)	
	Lepotila	0,50 W (tyypillinen)	
	Pois	0,50 W (tyypillinen)	
Tuloliitäntä	HDMI DP		
Videotulosignaali	HDMI-signaali DP		
Kaiuttimet	4 W x 2		
USB	USB 3.0 x 3		
Näyttöruudun enimmäiskoko	Vaakasuora: 819,408 mm Pystysuora: 345,888 mm		
Virtalähde	20V  14A		
Ympäristökäyttäjät	Käyttölämpötila: 0 - 40 °C Varastointilämpötila: -20 - +60 °C Ilmankosteus: 20 - 80%		
Mitat	833 (L) x 450,5 - 580,5 (K) x 309 (S) mm		
Paino (netto)	13,39 kg (netto)		
Mekanismin tiedot	Kallistus: -5° - +25° (kaltevuuskulman 25 asteen kallistus on mahdollinen vain korkeimmassa pisteessä) Kierto: -30° - +30° Korkeuden säätö: 0 - 130 mm Nivelointi: ei Irrotettava jalusta: kyllä		
Ulkoiset ohjauslaitteet	Kytkimet/painikkeet	Virtapainike Pikanäppäin 1 Pikanäppäin 2	Tulo 5 Navigointipainike
	Toiminnot	Kirkkaus Kontrasti Sininen valo Dark Boost Taustavalovaste SDR Variable Backlight Autom. kirkkaus Autom. mustan taso Suhteellinen gamma SDR Colors sRGB DP YCbCr sRGB HDMI YCbCr sRGB Värin lämpöisyys Äänenvoim. Ylivaihde Ylikellotus	Tähtäyspiste Kieli Aikakatkaisu Läpikuultavuus Virkist.taaj.num Lukitse OSD Tulo Ympäristön valo Pikanäppäinmääritys Laajakuva Syvä lepotila Pika-aloitustila Virta pois päältä USB-lataus Näyttötiedot Nollaa kaikki asetukset. Lopeta
Kaikkia teknisiä tietoja voidaan muuttaa ilman ennakoimistusta.			

Acerin tuotteiden käyttöoppaita ja muita asiakirjoja on saatavilla Acerin virallisella tukisivustolla.

\*Vuosittaisen energiankulutuksen laskenta perustuu tyypilliseen 4 tunnin päivittäiseen virrankulutukseen 365 päivänä vuodessa.

# Hurtigstartveiledning (QSG) for LCD-skjerm fra Acer

## Viktige sikkerhetsinstruksjoner

Les følgende instruksjoner nøye.

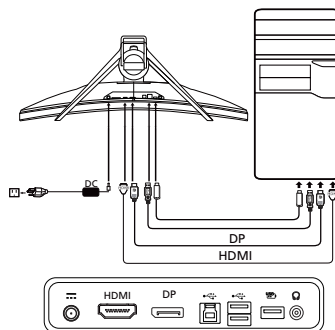
1. Slik rengjør du LCD-skjermen: Kontroller at skjermen din har elektrisk kapasitet til å fungere med AC-strømmen som er tilgjengelig der du er.
  - Slå av LCD-skjermen, og ta ut strømkontakten.
  - Sprut et ikke-løselig rengjøringsmiddel på en klut, og rengjør skjermen forsiktig.
  - **VÆSKER MÅ ALDRI SPRAYES ELLER HELLES DIREKTE PÅ SKJERMEN ELLER KABINETTET.**
  - **IKKE BRUK AMMONIAKK- ELLER ALKOHOLBASERTE RENGJØRINGSMIDLER PÅ LCD-SKJERMEN ELLER KABINETTET.**
  - Acer kan ikke holdes ansvarlig for skader som oppstår på grunn av ammoniakk- eller alkoholbaserte rengjøringsmidler.
2. Ikke plasser LCD-skjermen i nærheten av et vindu. Hvis skjermen blir utsatt for regn, fuktighet eller sollys, kan det gi alvorlig skade.
3. Ikke trykk på LCD-skjermen. For mye trykk kan føre til permanent skade på skjermen.
4. Ikke ta av dekelet eller forsøk å reparere denne enheten selv. En autorisert tekniker skal utføre vedlikehold av enhver art.
5. LCD-skjermen skal lagres i et rom med en temperatur på -20 til 60° C (-4 til 140° F). Hvis LCD-skjermen lagres utenfor dette temperaturområdet, kan det føre til permanent skade.
6. Du må umiddelbart koble fra skjermen og ringe en autorisert tekniker hvis noen av de følgende situasjonene oppstår:
  - Skjerm-til-PC-signalkabelen er slitt eller skadet.
  - Væske søles på LCD-skjermen, eller skjermen blir utsatt for regn.
  - LCD-skjermen eller kabinettet er skadet.

## Slik fester du skjermen til basen

1. Ta skjermbasen ut av emballasjen, og sett den på en stabil og jevn overflate.
2. Ta skjermen ut av emballasjen.
3. Fest skjermstativarmen til basen.
  - Kontroller at basen er låst til skjermstativarmen. (for utvalgte modeller)
  - Fest basen til skjermstativarmen ved å dreie skruen med en skrutrekker eller en passende mynt. (for utvalgte modeller)

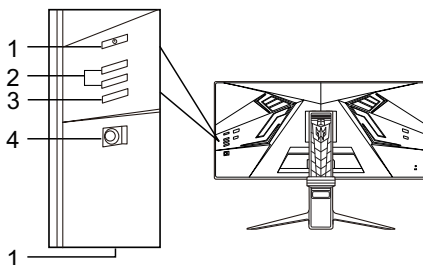
## Slik kobler du skjermen til en datamaskin

1. Slå av skjermen, og ta ut strømkontakten til datamaskinen.
2. 2-1 Koble til HDMI-kabelen
  - a. Kontroller at både skjermen og datamaskinen er slått AV.
  - b. Koble HDMI-kabelen til datamaskinen.
 Når du bruker HDMI, kan du trykke på hvilken som helst knapp, unntatt strømknappen, for å aktivere I/O-portkilden.
- 2-2 Koble til DP-kabelen (standardinngang)
  - a. Kontroller at både skjermen og datamaskinen er slått AV.
  - b. Koble DP-kabelen til datamaskinen.
3. Sett inn skjermens strømkabel i strøminntaket på baksiden av skjermen.
4. Sett inn strømledningene til datamaskinen og skjermen i en nærliggende stikkontakt.
5. Velg Slå av USB-lading PÅ/AV for å aktivere/deaktivere funksjonen Slå av USB-lading.



## Eksterne kontrollere

Nr.	Element	Beskrivelse
1	Strømknapp/ -indikator	Slår skjermen på/av. Blå indikerer at den er slått på. Gul indikerer standby/strømsparingsmodus.
2	Hurtigtast 1, 2 knapper	Trykk for å aktivere brukerdefinert hurtigtastfunksjon.
3	Inngang-knapp	Trykk for å veksle mellom inngangskilder.
4	Navigasjons-/OK-knapp	Trykk for å aktivere OSD-menyen, og bruk deretter knappen som en styretast for å markere ønsket funksjon. Trykk på den igjen for å angi et valg.



# Forskrifter og sikkerhetsmerknader

## FCC-merknad

Denne enheten er testet og funnet i samsvar med grensene for klasse B, digital enhet ifølge del 15 av FCC-reglene. Disse grensene er utformet for å gi rimelig beskyttelse mot skadelige forstyrrelser i en boliginstallasjon. Denne enheten lager, bruker og kan utstråle radiofrekvensenergi, og hvis den ikke installeres og brukes i samsvar med instruksjonene, kan den forårsake skadelig forstyrrelse på radiokommunikasjon.

Det er imidlertid ingen garanti for at forstyrrelse ikke vil oppstå i en bestemt installasjon. Hvis denne enheten forårsaker skadelig forstyrrelse for radio- eller TV-mottak, som kan fastslås ved å slå enheten av og på, oppfordres brukeren til å prøve å korrigere forstyrrelsen med ett eller flere av følgende tiltak:

- Snu eller flytt mottakerantennen.
- Øk avstanden mellom enhet og mottaker.
- Koble enheten til en stikkontakt på en annen krets enn den mottakeren er koblet til.
- Ta kontakt med forhandleren eller en erfaren radio-/TV-tekniker for å få hjelp.

## CE-erklæring om samsvar

Herved erklærer Acer Inc. at denne LCD-skjermen er i samsvar med de grunnleggende krav og øvrige relevante krav i EMC-direktiv 2014/30/EU, lavspenningsdirektivet 2014/35/EU og RoHS-direktiv 2011/65/EU og direktiv 2009/125/EF med hensyn til etablering av et rammeverk for fastsettelse av krav til miljøvennlig utforming av energirelatert produkt.

## Merknad:

For å forhindre skade på skjermen må du ikke løfte den etter skjermfoten.

## Merknad: Skjermede kabler

Alle tilkoblinger til andre databehandlingsenheter må skje med skjermede kabler for å opprettholde samsvar med EMC-forskriftene.

## Merknad: Perifere enheter

Bare periferutstyr (enheter for inngang/utgang, terminaler, skrivere osv.) som er sertifisert i samsvar med klasse B-grensene, kan kobles til dette utstyret. Drift med ikke-sertifisert periferutstyr vil sannsynligvis føre til forstyrrelse i radio- og TV-mottak.

## Advarsel

Endringer eller modifikasjoner som ikke uttrykkelig er godkjent av produsenten, kan annullere brukerens autorisasjon, som er tildelt av Federal Communications Commission, til å bruke dette produktet.

## Driftsbetingelser

Denne enheten er i samsvar med del 15 av FCC-reglene. Driften er underlagt følgende to betingelser: (1) denne enheten kan ikke forårsake skadelig forstyrrelse, og (2) denne enheten må godta eventuell mottatt forstyrrelse, inkludert forstyrrelse som kan forårsake uønsket drift.

## Merknad: Kanadiske brukere

Dette digitale apparatet i klasse B er i samsvar med kanadiske ICES-003.

## Remarque à l'intention des utilisateurs canadiens

Cet appareil numérique de la classe B est conforme à la norme NMB-003 du Canada.

## Avhending av brukt utstyr fra brukere i private husholdninger i EU



Dette symbolet på produktet eller på emballasjen viser at dette produktet ikke må kastes sammen med annet husholdningsavfall. I stedet er det ditt ansvar å avhende utstyret ved å levere det til et innsamlingspunkt for resirkulering av elektrisk og elektronisk utstyr. Separat innsamling og gjenvinning av brukt utstyr på tidspunktet for avhending vil bidra til å bevare naturressurser og sikre at det resirkuleres på en måte som beskytter helse og miljø. Hvis du vil ha mer informasjon om hvor du kan levere utstyret til resirkulering, kan du kontakte lokale myndigheter, renovasjonstjenesten eller butikken der du kjøpte produktet.

## SPESIFIKASJON

LCD-panel	Kjøresystem	TFT farge-LCD	
	Størrelse	35"W (88,9 cm)	
	Pikselmål	0,24 mm (H) x 0,24 mm (V)	
	Lysstyrke	Integrert: 600 cd/m <sup>2</sup> ; HDR-modus: 1000 cd/m <sup>2</sup> (topp)	
	Kontrast	2500 : 1	
	Synlig vinkel	178° (H) 178° (V) (CR=10)	
	Responstid	2 ms (GTG)	
	Paneltype	VA	
	H-frekvens	HDMI: 30–150 KHz DP: 88–282 KHz	
V-frekvens	HDMI: 24–100 Hz DP: 24–180 Hz		
Visningsfarger	16,7 millioner		
Punkt klokke	HDMI 2.0: 543,5 MHz DP 1.4: 1017 MHz DP 1.4: 1056 MHz (DP-overklokingsfunksjon = PÅ)		
Maksimal oppløsning	HDMI: 3440 x 1440 @ 100 Hz DP: 3440 x 1440 @ 180 Hz DP: 3440 x 1440 @ 200 Hz (Overklokingsmodus kun for G-Sync)		
Plug & Play	VESA DDCC/DC2B		
Klasse for energieffektivitet	D		
* Årlig energiforbruk	145 (kWh) (for modell med HDMI-inngang)		
Strømforbruk (ved 200 nit)	På-modus	64,1 W (typisk)	
	Hvilemodus	0,50 W (typisk)	
	Av-modus	0,50 W (typisk)	
Inngangskobling	HDMI DP		
Signal for videoinngang	HDMI-signal DP		
Høyttalere	4 W x 2		
USB	USB 3.0 x 3		
Maksimal skjermstørrelse	Horisontalt: 819,408 mm Vertikalt: 345,888 mm		
Strømkilde	20V — 14A		
Miljømessige hensyn	Driftstemp.: 0° til 40°C Lagringstemp.: -20° til 60°C Driftsfuktighet: 20 % til 80 %		
Mål	833 x 450,5 ~ 580,5 x 309 mm (B x H x D)		
Vekt (n.v.)	13,39 kg (netto)		
Spesifikasjoner for mekanisme	Helling: -5° til +25° (bare på det høyeste punktet kan 25 graders helling bakover være mulig for høydevinkelen) Dreiemekanisme: -30° til +30° Høydejustering: 0 mm til 130 mm Akse: Nei Avtakbart fotstativ: Ja		
Eksterne kontrollere	Bryter/knapper	Strømknapp Hurtigtast 1 Hurtigtast 2	Inngang 5 Navigasjonstast
	Funksjoner	Lysstyrke Kontrast Blått lys Dark Boost Bakgrunnslysrespons SDR Variable Backlight Autolysstyrke automatisk svartnivå Relativ gamma SDR Colors sRGB DP YCbCr sRGB HDMI YCbCr sRGB Fargetemperatur Volum Overstyring Overklokking	Siktepunkt Språk OSD-tidsavbrudd Transparens Oppdateringsfrekvensnr. OSD-lås Inngang Omgivelseslys Hurtigtasttilordning Bred modus Dyp søvn Hurtigstartmodus Avslått USB-lading Visningsinformasjon Tilbakestill alle innstillinger Avslutt
Alle spesifikasjoner kan endres uten varsel.			

Finn håndbøker og andre dokumenter for Acer-produktet ditt på den offisielle supportnettsiden for Acer.

\* Årlig energiforbruk er beregnet ut fra et vanlig strømforbruk på 4 timer per dag, 365 dager i året.

# Acer LCD Monitör Hızlı Başlangıç Kılavuzu (QSG)

## Önemli güvenlik talimatları

Lütfen aşağıdaki talimatları dikkatlice okuyun.

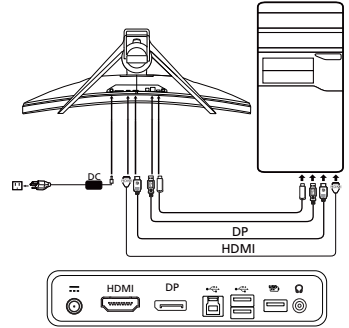
- LCD monitörün ekranını temizlemek için: Monitörünüzün elektriksel olarak konumunuzdaki mevcut AC gücüyle çalışabilecek sınıfta olduğundan emin olun.
  - LCD monitörü kapatın ve güç kablosunun fişini çekin.
  - Bir bez parçasının üstüne çözöcü olmayan bir temizleme solüsyonu sıkın ve ekranı nazikçe temizleyin.
  - ASLA DOĞRUDAN EKRANA YA DA KASAYA HİÇBİR SIVI SIKMAYIN YA DA DÖKMEYİN.**
  - LÜTFEN LCD EKRAN YA DA KASA ÜZERİNDE AMONYAK YA DA ALKOL BAZLI HİÇBİR TEMİZLEYİCİ KULLANMAYIN.**
  - Acer, amonyak ya da alkol bazlı temizleyiciler kullanmaktan kaynaklanan hasarlardan sorumlu olmayacaktır.
- LCD monitörü bir pencerenin yakınına koymayın. Monitör yağmura, neme ya da güneş ışığına maruz kaldığında ciddi hasar görebilir.
- LCD ekrana basıncı uygulamayın. Aşırı basıncı ekrana kalıcı hasar verebilir.
- Kendi başınıza bu ünitenin kapağını çıkarmayın ve bakımını yapmaya kalkışmayın. Her tür bakımın yetkili bir teknisyen tarafından yapılması gerekir.
- LCD monitörü, -20° ile 60°C arasında (-4° - 140°F) bir sıcaklıkta saklayın. LCD monitörü bu aralığın dışında saklamak kalıcı hasara yol açabilir.
- Aşağıdaki durumlardan biri meydana gelirse hemen monitörünüzün fişini çekin ve yetkili bir teknisyeni arayın:
  - Monitör-PC sinyal kablosu aşınmış ya da zarar görmüşse.
  - LCD monitöre sıvı dökülürse ya da monitör yağmura maruz kalırsa.
  - LCD monitör ya da kasa zarar gördüyse.

## Monitörü tabana yerleştirme

- Monitör tabanını ambalajdan çıkarın ve sabit ve düz bir çalışma alanına yerleştirin.
- Monitörü paketinden çıkarın.
- Monitör stand kolunu tabana yerleştirin.
  - Tabanın monitör stand koluna oturduğundan emin olun. (seçili modellerde)
  - Düz uçlu tornavida ya da bozuk para kullanıp vidayı çevirerek tabanı monitör standı koluna sabitleyin. (seçili modellerde)

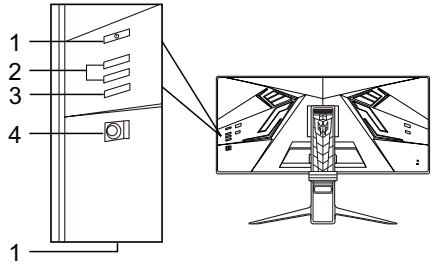
## Monitörünüzü Bilgisayara Bağlama

- Monitörünüzü kapatın ve bilgisayarınızın güç kablosunun fişini çekin.
- 2-1 HDMI Kablosunu Bağlayın
  - Hem monitörün hem de bilgisayarın KAPALI olduğundan emin olun.
  - HDMI kablosunu bilgisayara bağlayın. HDMI kullanırken G/Ç bağlantı noktası kaynağını başlatmak için Güç düğmesi haricinde herhangi bir düğmeye basabilirsiniz.
- 2-2 DP Kablosunu Bağlayın (Varsayılan giriş)
  - Hem monitörün hem de bilgisayarın KAPALI olduğundan emin olun.
  - DP kablosunu bilgisayara bağlayın.
- Monitör güç kablosunu monitörün arkasındaki güç portuna takın.
- Bilgisayarınızın ve monitörünüzün güç kablolarını yakındaki bir elektrik prizine takın.
- Güç Kapalı USB şarjı işlevini etkinleştirmek/devre dışı bırakmak için Güç Kapalı USB Şarjı AÇMA/KAPAMA'yı seçin.



## Harici kontroller

Numara	Öge	Açıklama
1	Güç düğmesi/ göstergesi	Monitörü açar/kapatır. Mavi, açık olduğunu gösterir. Kehribar rengi, bekleme/güç tasarrufu modunda olduğunu gösterir.
2	Kısayol 1, 2 düğmeleri	Kullanıcı tanımlı kısayol işlevini etkinleştirmek için basın.
3	Giriş düğmesi	Giriş kaynakları arasında geçiş yapmak için basın.
4	Gezinti/ Tamam düğmesi	OSD menüsünü etkinleştirmek için basın ve ardından istenen işlevi vurgulamak üzere yönlendirme tuşu olarak kullanın. Seçim girmek için tekrar basın.



## Düzenlemeler ve güvenlik bildirimleri

### FCC bildirim

Bu aygıt test edilmiş ve FCC kurallarının 15. maddesi uyarınca B Sınıfı dijital aygıt olarak kabul edilmiştir. Bu sınırlar evde kurulmuş meydana gelebilecek zararlı bir müdahaleye karşı koruma sağlamak için geliştirilmiştir. Bu aygıt radyo frekansı enerjisi yaratır, kullanır ve hatta saçabilir; ayrıca, talimatlara uygun olarak kurulmaz ve kullanılmazsa radyo iletişimde zararlı bir müdahalede bulunabilir. Bununla birlikte, bu müdahalenin talimatlara uygun kurulmuş meydana gelmeyeceğinin garantisi yoktur. Aygıt, radyo ya da televizyonun sinyal alımına aygıtı kapatıp açarak tespit edilebilen zararlı bir müdahalede bulunursa kullanıcı aşağıdaki önlemlerin birini ya da birden fazlasını alarak bu müdahaleyi düzeltmeyi deneyebilir:

- Alıcı antenin yerini ya da yönünü değiştirin.
- Aygıt ile alıcıyı birbirinden biraz daha uzaklaştırın.
- Aygıtı, alıcının bağlı olduğundan farklı bir devrede bulunan çıkışı bağlayın.
- Yardım için satıcınıza ya da tecrübeli bir radyo/televizyon teknisyenine danışın.

### CE Uygunluk beyanı

Bu belge ile Acer Inc. bu LCD monitörün EMC Yönetmeliği 2014/30/AB, Alçak Gerilim Yönetmeliği 2014/35/AB ve RoHS Yönetmeliği 2011/65/AB ile 2009/125/AT Yönetmeliği yasalarının enerji ürünleri için çevreci bir tasarım yapacak bir sistem kurmayı gerektiren temel gerekliliklerine ve diğer maddelerine uyduğunu beyan eder.

### Uyarı:

Monitörün zarar görmesini önlemek için monitörü tabanından tutarak kaldırmayın.

### Uyarı: Blendajlı kablolar

Diğer bilişim aygıtlarıyla yapılacak tüm bağlantılar EMC düzenlemelerine uyum sağlamak için blendajlı kablolar kullanılarak yapılmalıdır.

### Uyarı: Çevresel aygıtlar

Bu ekipmana sadece B Sınıfı sınırlarına uygun olduğu sertifikayla belirtilmiş çevresel aygıtlar (giriş/çıkış aygıtları, terminaller, yazıcılar vb.) eklenebilir. Sertifikasız çevresel aygıtlarla çalıştırılırsa radyo ve TV alıcılarına müdahale meydana gelebilir.

### Dikkat

Üretici tarafından açıkça onaylanmamış değişiklikler ve düzenlemeler, kullanıcının Federal İletişim Komisyonu tarafından verilen bu ürünü çalıştırma hakkının feshedilmesine neden olabilir.

### Çalışma koşulları

Bu aygıt FCC Hükümlerinin 15. maddesine uygundur. Çalışma şu iki şarta uygunluk gerektirir: (1) bu aygıt zararlı bir müdahaleye neden olmamalıdır ve (2) istem dışı çalıştırma da dahil olmak üzere bu aygıt alınan her müdahaleyi üstlenmek durumundadır.

### Uyarı: Kanadalı kullanıcılar

Bu B Sınıfı tertibat, Kanada ICES-003 yasasına uygundur.

### Remarque à l'intention des utilisateurs canadiens

Cet appareil numérique de la classe B est conforme à la norme NMB-003 du Canada.

### Atılacak Ekipmanın Avrupa Birliği Üyesi Ülkelerde Özel Mekanda Kullanıcılarca Atılması



Üründe ve ürünün paketinde bulunan bu simge, bu ürünün diğer ev atıklarınızla atılmaması gerektiğini gösterir. Bunun yerine, atılacak ekipmanınızı atık elektrikli cihaz toplama noktasına teslim etmek sizin sorumluluğunuzdur. Ürününüzün bu şekilde ayrı atılması ve geri dönüştürülmesi doğal kaynakları koruyacak ve ürünün insan sağlığını ve çevreyi koruyacak şekilde geri dönüştürülmesini sağlayacaktır. Atık ürününüzü nereye teslim edebileceğiniz hakkında daha fazla bilgi alabilmek için lütfen yerel belediyeye, çöp hizmetlerinizi sunan birimle ya da ürünü aldığınız mağazayla iletişime geçin.



# TEKNİK ÖZELLİKLER

LCD Panel	Sürücü Sistemi	TFT Renkli LCD	
	Boyut	35"W (88,9 cm)	
	Piksel Aralığı	0,24 mm (Y) x 0,24 mm (D)	
	Parlaklık	Doğal: 600 cd/m <sup>2</sup> ; HDR modu: 1000 cd/m <sup>2</sup> (zirve)	
	Kontrast	2500:1	
	Görülebilir Açı	178° (Y) 178° (D) (CR=10)	
	Tepki Süresi	2 ms (GTG)	
	Panel Türü	VA	
	Yatay Frekans	HDMI: 30 – 150 KHz DP: 88 – 282 KHz	
Dikey Frekans	HDMI: 24 – 100 Hz DP: 24 – 180 Hz		
Ekran Renkleri	16,7 Milyon		
Dot Clock	HDMI 2.0: 543,5 MHz DP 1.4: 1017 MHz DP 1.4: 1056 MHz (DP hız aşırıtma işlevi = AÇIK)		
Maksimum Çözünürlük	HDMI: 3440 x 1440 @ 100 Hz DP: 3440 x 1440 @ 180 Hz DP: 3440 x 1440 @ 200 Hz (Yalnızca G-Sync için hız aşırıtma modu)		
Tak ve Kullan	VESA DDCCI/DDC2B		
Enerji Verimliliği Sınıfı	D		
*Yıllık Enerji Tüketimi	145 (kWh) (HDMI girişli Modeli İçin)		
Güç Tüketimi (200 nit'te)	Açık Mod	64,1 W (Tipik)	
	Uyku Modu	0,50 W (Tipik)	
	Kapalı Mod	0,50 W (Tipik)	
Giriş Bağlayıcısı	HDMI DP		
Giriş Video Sinyali	HDMI sinyali DP		
Hoparlörler	4 W x 2		
USB	USB 3.0 x 3		
Maksimum Ekran Büyüklüğü	Yatay: 819,408 mm Dikey: 345,888 mm		
Güç Kaynağı	20V $\square$ 14A		
Çevresel Durumlar	Çalışma Sıcaklığı: 0° – 40°C Saklama Sıcaklığı: -20° – 60°C Çalışma Nem Aralığı: %20 – %80		
Boyutlar	833 (G) x 450,5 ~ 580,5 (Y) x 309 (D) mm		
Ağırlık (Net)	13,39 kg (net)		
Mekanizma Teknik Özellikleri	Eğim: -5° – +25° (Yükselme açısı için sadece en yüksek noktada 25 derecelik yaslanma sunulabilir) Dönüş: -30° – +30° Boy ayarlaması: 0 mm – 130 mm Pivot: Hayır Ayrılabilir ayak noktası: Evet		
Harici kontroller	Anahtar/Düğmeler	Güç Düğmesi Kısayol 1 Kısayol 2	Giriş 5 Gezinme Tuşu
	İşlevler	Parlaklık Kontrast Mavi Işık Dark Boost Arka Işık Tepkisi SDR Variable Backlight Otomatik Parlaklık Otomatik Siyah Düzeyi Bağlı Gama SDR Colors sRGB DP YCbCr sRGB HDMI YCbCr sRGB Renk Sıcaklığı Ses Seviyesi Aşırı Hız Hız Aşırıtma	Hedef nokta Dil OSD Zaman Aşımı Şeffaflık Yenileme hızı Menü Kilidi Giriş Ortam Işığı Kısayol Atama Geniş Mod Derin Uyku Hızlı Başlat Modu Güç Kapalı USB Şarjı Ekran Bilgisi Tüm Ayarları Sıfırla Çıkış
Tüm teknik özelliklerde bildirim yapılmadan değişikliğe gidilebilir.			

Acer ürününüz için kullandığımız kılavuzlarımızı ve diğer belgeleri resmi Acer destek web sitesinden bulabilirsiniz.

\*Yıllık enerji tüketimi günde 4 saat, yılda 365 gün olan tipik güç tüketimi baz alınarak hesaplanır.

# Ghid de inițiere rapidă pentru monitorul LCD Acer (QSG)

## Instrucțiuni de siguranță importante

Vă rugăm să citiți cu atenție instrucțiunile următoare.

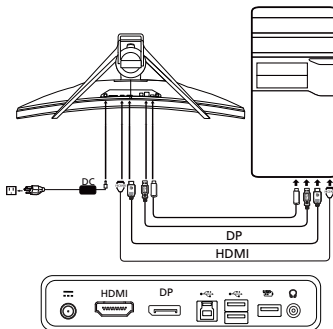
- Pentru a curăța ecranul monitorului LCD: Verificați dacă monitorul are parametri electrici corespunzători alimentării cu c.a. disponibile în locația dvs.
  - Opriiți monitorul LCD și decuplați cablul de alimentare.
  - Pulverizați o soluție de curățat fără solvent pe o cârpă și curățați ușor ecranul.
  - NU PULVERIZAȚI ȘI NU TURNAȚI NICIODATĂ LICHIDE DIRECT PE ECRAN SAU PE CARCASĂ.**
  - NU APLICAȚI SUBSTANȚE DE CURĂȚARE PE BAZĂ DE AMONIAK SAU DE ALCOOL PE ECRANUL LCD SAU PE CARCASĂ.**
  - Acer nu își asumă răspunderea pentru daunele provocate în urma utilizării substanțelor de curățare pe bază de amoniac sau alcool.
- Nu plasați monitorul LCD în apropiere de fereastră. Expunerea monitorului la ploaie, umezeală sau lumina solară îl poate deteriora serios.
- Nu aplicați presiune pe ecranul LCD. Presiunea excesivă poate provoca deteriorări permanente ecranului.
- Nu scoateți capacul și nu încercați să reparați dvs. această unitate. Reparațiile de orice natură trebuie efectuate de un tehnician autorizat.
- Păstrați monitorul LCD într-o cameră cu temperatura de -20° până la +60° C (-4° până la +140° F). Păstrarea monitorului în afara acestui interval poate provoca deteriorări permanente.
- Scoateți imediat din priză monitorul și apelați la un tehnician autorizat dacă apare vreuna dintre următoarele situații:
  - Cablul de semnal de la monitor la PC este ros sau deteriorat.
  - S-a vărsat un lichid pe monitorul LCD sau acesta este expus la ploaie.
  - Monitorul LCD sau carcasa acestuia este deteriorat/ă.

## Atașarea monitorului la bază

- Scoateți baza monitorului din ambalaj și poziționați-o pe un spațiu de lucru stabil și orizontal.
- Scoateți monitorul din ambalaj.
- Atașați brațul de suport al monitorului la bază.
  - Verificați ca baza să fie blocată pe brațul de suport al monitorului. (pentru modelele selectate)
  - Fixați baza pe brațul de suport al monitorului prin rotirea șurubului, folosind aripoara integrată sau o monedă potrivită. (pentru modelele selectate)

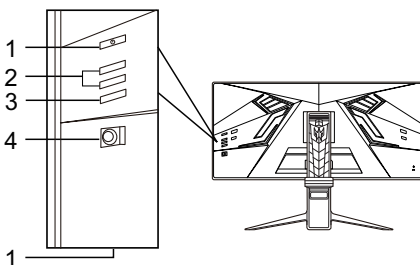
## Conectarea monitorului la calculator

- Opriiți monitorul și decuplați cablul de alimentare a calculatorului.
- 2-1 Conectați cablul HDMI
  - Verificați ca atât monitorul, cât și calculatorul să aibă alimentarea OPRITĂ.
  - Conectați cablul HDMI la calculator.
 Când utilizați HDMI, puteți apăsa pe orice buton, cu excepția butonului de alimentare, pentru a activa sursa pentru portul I/O.
- 2-2 Conectați cablul DP (intrare prestabilă)
  - Verificați ca atât monitorul, cât și calculatorul să aibă alimentarea OPRITĂ.
  - Conectați cablul DP la calculator.
- Introduceți cablul de alimentare a monitorului în portul de alimentare din spatele acestuia.
- Introduceți într-o priză din apropiere cablurile de alimentare pentru calculator și monitor.
- Selecționați Power-off USB charge ON/OFF (Încărcare USB în timpul opririi PORNIT/OPRIT) pentru a activa/dezactiva funcția de încărcare USB în timpul opririi.



## Comenzi externe

Nr.	Element	Descriere
1	Buton/indicator de alimentare	Pornește/oprește monitorul. Albastru indică alimentarea pornită. Chihlimbariu indică modul standby/economie de energie.
2	Tasta rapidă 1, 2 butoane	Apăsați pentru a activa funcția tastă rapidă, definită de utilizator.
3	Buton pentru intrare	Apăsați pentru a comuta între sursele de intrare.
4	Butonul Navi/OK	Apăsați pentru a activa meniul OSD, apoi utilizați-l ca tastă direcțională pentru a evidenția funcția dorită. Apăsați-l din nou pentru a introduce o selecție.



## Precizări privind reglementările și siguranța

### Precizări privind FCC

Acest dispozitiv a fost testat și s-a constatat că se încadrează în limitele corespunzătoare dispozitivelor digitale din Clasa B, conform reglementărilor FCC Partea a 15-a. Aceste limite sunt concepute să asigure o protecție rezonabilă împotriva interferențelor dăunătoare, la instalarea într-un mediu rezidențial. Acest dispozitiv generează, utilizează și poate radia energie pe frecvențe radio și, dacă nu este instalat și utilizat conform instrucțiunilor, poate cauza interferențe dăunătoare pentru comunicațiile radio.

Totuși, nu există nicio garanție că interferențele nu vor avea loc în cazul unei anumite instalări. Dacă acest dispozitiv produce interferențe dăunătoare la recepția radio sau TV, ceea ce se poate determina pomind și oprind dispozitivul, utilizatorul este încurajat să încerce să corecteze interferența aplicând una sau mai multe dintre măsurile următoare:

- Reorientați sau re poziționați antena receptoare.
- Măriți distanța dintre dispozitiv și receptor.
- Conectați dispozitivul la o priză sau la un circuit diferit de cel la care este conectat receptorul.
- Consultați dealerul sau un tehnician radio/TV experimentat.

### Declarație de conformitate CE

Prin prezenta, Acer Inc., declară că acest monitor LCD monitor respectă cerințele esențiale și celelalte prevederi relevante din Directiva EMC 2014/30/UE, Directiva 2014/35/UE privind tensiunile joase și Directivile RoHS 2011/65/UE și 2009/125/CE în ceea ce privește stabilirea unui cadru pentru aplicarea cerințelor de design ecologic pentru produsele legate de energie.

### Notă:

Pentru a preveni deteriorarea monitorului, nu îl ridicați apucându-l de bază.

### Notă: Cabluri ecranate

Toate conexiunile la alte dispozitive de calcul trebuie efectuate folosind cabluri ecranate, pentru a menține conformitatea cu reglementările EMC.

### Notă: Dispozitive periferice

Numai perifericele (dispozitive de intrare/ieșire, terminalele, imprimantele etc.) certificate ca respectând limitele din Clasa B pot fi atașate acestui echipament. Este probabil ca funcționarea cu periferice necertificate să producă interferențe la recepția radio și TV.

### Atenție

Modificările neaprobate în mod expres de către producător pot anula autorizația utilizatorului, garantată de Comisia Federală de Comunicații, de a folosi acest produs.

### Condiții de funcționare

Acest dispozitiv respectă cerințele din FCC Partea a 15-a. Funcționarea este supusă următoarelor două condiții: (1) acest dispozitiv să nu producă interferențe dăunătoare și (2) acest dispozitiv trebuie să accepte orice interferențe recepționate, inclusiv cele care pot cauza o funcționare nedorită.

### Notă: Utilizatorii din Canada

Acest aparat digital din Clasa B respectă standardul canadian ICES-003.

### Remarque à l'intention des utilisateurs canadiens

Cet appareil numérique de la classe B est conforme à la norme NMB-003 du Canada.

### Eliminarea deșeurilor de echipamente de către utilizatorii din locuințele private din Uniunea Europeană



Acest simbol de pe produs sau de pe ambalajul acestuia arată că produsul respectiv nu poate fi eliminat împreună cu celelalte resturi menajere. În schimb, este responsabilitatea dvs. să eliminați produsul dezafectat ducându-l la un punct de colectare desemnat pentru reciclarea deșeurilor de echipamente electrice și electronice. Colectarea și reciclarea separată a echipamentului dezafectat în momentul eliminării acestuia va contribui la conservarea resurselor naturale și va garanta că produsul respectiv este reciclat într-un mod care protejează sănătatea oamenilor și mediul. Pentru mai multe informații cu privire la locul în care puteți lăsa echipamentul dezafectat, vă rugăm să contactați biroul local din orașul dvs., serviciul de eliminare a deșeurilor menajere sau magazinul de la care ați achiziționat produsul.

## SPECIFICAȚII

Panou LCD	Sistem de acționare	LCD color TFT	
	Dimensiune	35" W (88,9 cm)	
	Pas pixeli	0,24 mm (H) x 0,24 mm (V)	
	Luminozitate	Nativ: 600 cd/m <sup>2</sup> ; modul HDR: 1000 cd/m <sup>2</sup> (vârf)	
	Contrast	2500:1	
	Unghi de vizualizare	178° (H) 178° (V) (CR=10)	
	Timp de răspuns	2 ms (GTG)	
	Tip panou	VA	
	Frecvență orizontală	HDMI: 30 – 150 KHz DP: 88 – 282 KHz	
Frecvență verticală	HDMI: 24 – 100 Hz DP: 24 – 180 Hz		
Culori afișate	16,7 Milioane		
Frecvență de ceas	HDMI 2.0: 543,5 MHz DP 1.4: 1017 MHz DP 1.4: 1056 MHz (funcție DP-over clock = PORNITĂ)		
Rezoluție maximă	HDMI: 3440 x 1440 @ 100 Hz DP: 3440 x 1440 @ 180 Hz DP: 3440 x 1440 @ 200 Hz (Modul overclocking doar pentru G-Sync)		
Tip plug & play	VESA DDCI/DDC2B		
Clasa de eficiență energetică	D		
*Consum anual de energie	145 (kWh) (pentru modelul cu intrare HDMI)		
Consum de energie (la 200 nits)	Modul Pornit	64,1 W (tipic)	
	Modul Repaus	0,50 W (tipic)	
	Modul Oprit	0,50 W (tipic)	
Conector de intrare	HDMI DP		
Semnal video de intrare	Semnal HDMI DP		
Difuzoare	4 W x 2		
USB	USB 3.0 x 3		
Dimensiune maximă ecran	Orizontală: 819,408 mm Verticală: 345,888 mm		
Sursă de alimentare	20V  14A		
Considerații privind mediul	Temp. de funcționare: 0° – 40°C Temp. de depozitare: -20° – 60°C Umiditate în timpul funcționării: 20% – 80%		
Dimensiuni	833 (l) x 450,5 ~ 580,5 (h) x 309 (a) mm		
Masa (netă)	13,39 kg (net)		
Specificații privind mecanismul	Înclinare: -5° – +25° (Numai în punctul cel mai înalt unghiul de ridicare poate fi de 25 grade înclinare) Rotire: -30° – +30° Reglarea înălțimii: 0 mm – 130 mm Pivotare: Nu Suport cu picior detașabil: Da		
Comenzi externe	Comutator/butoane	Buton de alimentare Tasta rapidă 1 Tasta rapidă 2	Intrare Tasta 5 Navi
	Funcții	Luminozitate Contrast Lumină albastră Dark Boost Răspuns iluminare SDR Variable Backlight Luminozitate automată Nivel de negru automat Gamma relativ SDR Colors sRGB DP YCbCr sRGB HDMI YCbCr sRGB Temperatură culoare Volum Over Drive Over Clock	Punct ochire Limbă Expirare OSD Transparență Frecvență reîmprospătare Blocare OSD Intrare Lumină ambientală Asignare scurtătură Modul Wide Inactivitate prelungită Modul Pornire rapidă Încărcare prin USB la oprire Informații monitor Resetare toate setările leşire
Toate specificațiile pot fi schimbate fără notificare prealabilă.			

Găsiți manuale și alte documente pentru produsul dvs. Acer pe website-ul de asistență oficial al Acer.

\*Consumul anual de energie este calculat pe baza unui consum de energie tipic de 4 ore pe zi, 365 zile pe an.

# Ръководство за бърза настройка на LCD монитор Acer (QSG)

## Важни инструкции за безопасност

Моля, прочетете внимателно следните инструкции.

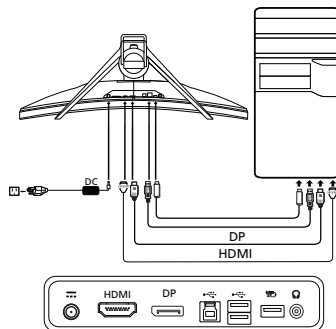
- За да почистите екрана на LCD монитора: Не забравяйте, че вашият монитор е предназначен за работа с променливотоково захранване във вашия регион.
  - Изключете LCD монитора и извадете захранващия кабел от контакта.
  - Напръскайте почистващ разтвор без разтворители върху кърпа и почистете внимателно екрана.
  - НЕ ПРЪСКАЙТЕ И НЕ ИЗЛИВАЙТЕ ТЕЧНОСТ ДИРЕКТНО ВЪРХУ ЕКРАНА ИЛИ КОРПУСА.**
  - НЕ ИЗПОЛЗВАЙТЕ ПОЧИСТВАЩИ ПРЕПАРАТИ НА АМОНИЯЧНА ИЛИ СПИРТНА ОСНОВА ЗА ПОЧИСТВАНЕ НА LCD ЕКРАНА ИЛИ КОРПУСА.**
  - Асер не носи отговорност за повреди, настъпили в резултат на използването на почистващи препарати на амониачна или спиртна основа.
- Не поставяйте LCD монитора близо до прозорец. Излагането на монитора на дъжд, влага или слънчева светлина може сериозно да го повреди.
- Не прилагайте натиск върху LCD екрана. Прекомерният натиск може да доведе до трайно увреждане на дисплея.
- Не отстранявайте капака и не се опитвайте да ремонтирате това устройство сами. Упълномощен техник трябва да извършва сервизното обслужване от всякакво естество.
- Съхранявайте LCD монитора в стая с температура от -20° до 60° C (-4° до 140° F). Съхранението на LCD монитора извън този диапазон може да доведе до трайно увреждане.
- Незабавно извадете щепсела от контакта на вашия монитор и се обадете на упълномощен техник при възникването на някои от следните обстоятелства:
  - Кабелът за сигнал от монитора към компютъра е протрит или повреден.
  - Сплизване на течност върху LCD монитора или мониторът е изложен на дъжд.
  - LCD мониторът или корпусът са повредени.

## Закрепване на монитора към основата

- Извадете основата на монитора от опаковката и я поставете върху стабилна и равна работна повърхност.
- Отстранете монитора от опаковката.
- Закрепете рамото на стойката на монитора към основата.
  - Уверете се, че основата е заключена върху рамото на стойката на монитора. (за избрани модели)
  - Закрепете основата към рамото на стойката на монитора като завъртите винта с помощта на вграденото езице или с подходяща монета. (за избрани модели)

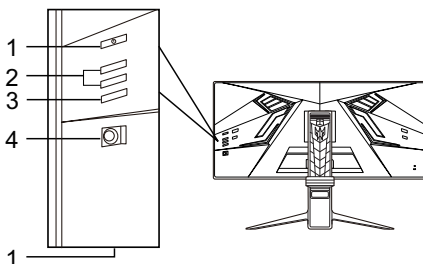
## Свързване на монитора към компютъра

- Изключете монитора и извадете захранващия кабел на компютъра от контакта.
- 2-1 Свържете HDMI кабела
  - Уверете се, че както мониторът, така и компютърът са изключени.
  - Свържете HDMI кабела към компютъра.
 При използване на HDMI можете да натиснете произволен бутон, с изключение на бутона за включване, за да задействате порта I/O за източник.
- 2-2 Свържете DP кабела (вход по подразбиране)
  - Уверете се, че както мониторът, така и компютърът са изключени.
  - Свържете DP кабела към компютъра.
- Поставете захранващия кабел на монитора в захранващия порт от задната страна на монитора.
- Включете захранващите кабели на компютъра и монитора в близкия електрически контакт.
- Изберете ВКЛ./ИЗКЛ. на функцията за зареждане през USB при изключено захранване, за да активирате/деактивирате тази функция.



## Външни бутони за управление

Номер	Елемент	Описание
1	Бутон за захранване/индикатор	Изключва/включва монитора. Синьото показва, че мониторът е включен. Оранжевото означава режим на готовност/пестене на енергия.
2	Бърз клавиш 1, 2 бутона	Натиснете за активиране на функцията с настроени от потребителя бързи клавиши.
3	Бутон за вход	Натиснете за превключване на източниците на вход.
4	Бутон Navi (Навигация)/OK	Натиснете за активиране на OSD менюто, след това го използвайте като бутон за навигиране, за да маркирате желаната функция. Натиснете го отново за въвеждане на избор.



## Разпоредби и бележки за безопасност

### Бележка от Федералната комисия за комуникации (ФКК)

Това устройство е тествано и отговаря на ограниченията за цифрово устройство от клас В, съгласно част 15 от правилата на ФКК. Тези ограничения са предназначени да осигуряват разумна защита срещу вредни смущения в жилищни инсталации. Това устройство генерира, използва и може да излъчва радиочестотна енергия и ако не бъде монтирано и използвано, в съответствие с инструкциите, може да причини вредни смущения на радио комуникациите.

Въпреки това, няма гаранции, че няма да възникнат смущения в конкретна инсталация. Ако устройството причинява вредни смущения на радио и телевизионно приемане, което може да се установи чрез изключване и включване на устройството, потребителят се насърчава да се опита да коригира смущението чрез една от следните мерки:

- Преориентиране или преместване на антената на приемника.
- Увеличаване на разстоянието между устройството и приемника.
- Свързване на устройството в контакт във верига, която е различна от тази, в която е свързан приемникът.
- Консултация с доставчик или опитен радио/телевизионен техник за помощ.

### СЕ декларация за съответствие

С настоящето, Acer Inc., декларира, че този LCD монитор е в съответствие със съществените изисквания и други приложения разпоредби на директивата за електромагнитна съвместимост (EMC) 2014/30/ЕС, директивата за ниско напрежение 2014/35/ЕС и RoHS директивата 2011/65/ЕС, и директива 2009/125/ЕО по отношение на създаването на рамка за определяне на изискванията за екодизайн за продукти, свързани с енергопотребление.

### Бележка:

За да предотвратите повреда на монитора, не го повдигайте от основата му.

### Бележка: Екранирани кабели

Всички връзки към други изчислителни устройства трябва да се извършват с помощта на екранирани кабели, за да отговорят на разпоредбите за електромагнитна съвместимост (EMC).

### Бележка: Периферни устройства

Единствено периферни устройства (входни/изходни устройства, терминали, принтери и т.н.), които имат сертификат за съответствие с ограниченията за клас В могат да се свързват към това оборудване. Работата с несертифицирани периферни устройства може да доведе до смущения на радио и телевизионното приемане.

### Внимание

Промени или модификации, които не са изрично одобрени от производителя могат да доведат до анулиране на пълномощията на потребителя, което се предоставя от Федералната комисия по комуникациите за работа с този продукт.

### Условия на работа

Това устройство е в съответствие с част 15 от правилата на ФКК. Работата е предмет на следните две условия: (1) това устройство не трябва да причинява вредни смущения и (2) това устройство трябва да приема всички получени смущения, включително смущения, които биха могли да причинят нежелана работа.

### Бележка: Канадски потребители

Това цифрово устройство от клас В отговаря на разпоредбата ICES-003 на Канада.

### Remarque à l'intention des utilisateurs canadiens

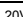
Cet appareil numérique de la classe B est conforme à la norme NMB-003 du Canada.

### Изхвърляне на отпадъчно оборудване от потребители в частни домакинства в Европейския съюз



Този символ върху продукта или на опаковката показва, че този продукт не трябва да се изхвърля с други битови отпадъци. Вместо това, ваша отговорност е да изхвърлите вашето отпадъчно оборудване като го предадете на определен пункт за събиране на отпадъци за рециклиране на отпадъчно електрическо или електронно оборудване. Разделното събиране и рециклиране на вашето отпадъчно оборудване към момента на изхвърляне ще помогне за запазване на природните ресурси и ще гарантира, че е рециклирано по начин, който предпазва човешкото здраве и околната среда. За повече информация относно това къде можете да оставите вашето отпадъчно оборудване за рециклиране, моля свържете се с местната градска служба, службата за изхвърляне на битови отпадъци или с магазина, от където сте закупили продукта.

# СПЕЦИФИКАЦИЯ

LCD панел	Управляваща система	TFT цветен LCD дисплей	
	Размер	35" W (88,9 см)	
	Стъпка на пикселите	0,24 мм (X) x 0,24 мм (Y)	
	Яркост	Основна: 600 cd/m <sup>2</sup> ; HDR режим: 1000 cd/m <sup>2</sup> (пикова)	
	Контраст	2500:1	
	Ъгъл на виждане	178° (X) 178° (Y) (CR=10)	
	Време за реакция	2 ms (GTG)	
	Тип на панела	VA	
	Хоризонтална честота	HDMI: 30-150 KHz DP: 88-282 KHz	
Вертикална честота	HDMI: 24-100 Hz DP: 24-180 Hz		
Цветове на дисплея	16,7 милиона		
Dot Clock (Честота на сканиране)	HDMI 2.0: 543,5 MHz DP 1.4: 1017 MHz DP 1.4: 1056 MHz (функция за over clock на DP = ВКЛ.)		
Максимална резолюция	HDMI: 3440 x 1440 при 100 Hz DP: 3440 x 1440 при 180 Hz DP: 3440 x 1440 при 200 Hz (Режим на оверклок само за G-Sync)		
Plug & Play	VESA DDCI/DDC2B		
Клас на енергийна ефективност	D		
*Годишна консумация на енергия	145 (kWh) (за модел на входа HDMI)		
Консумация на енергия (при 200 нита)	Включен режим	64,1 W (типично)	
	Режим на покой	0,50 W (типично)	
	Изключен режим	0,50 W (типично)	
Входен конектор	HDMI DP		
Входен видео сигнал	HDMI сигнал DP		
Говорители	4 W x 2		
USB	USB 3.0 x 3		
Максимален размер на екрана	Хоризонтален: 819,408 мм Вертикален: 345,888 мм		
Източник на захранване	20V  14A		
Екологични съображения	Работна температура: 0° до 40°C Температура на съхранение: -20° до 60°C Работна влажност: 20% до 80%		
Размери	833 (Ш) x 450,5 ~ 580,5 (В) x 309 (Д) мм		
Тегло (N. W.)	13,39 кг (нето)		
Спецификации на механизма	Наклоняване: -5° до +25° (само в най-високата точка може да се получи наклон от 25 градуса за ъгъла на издигане) Въртене: -30° до +30° Коригиране на височината: 0 мм до 130 мм Os: He Стойка с подвижно краче: Да		
Външни бутони за управление	Ключ/бутони	Бутон на захранването Бърз клавиш 1 Бърз клавиш 2	Вход 5 клавиш Navi (Навигация)
	Функции	Яркост Контраст Синя светлина Dark Boost Отговор на подсветка SDR Variable Backlight Автоматична яркост Автоматично ниво на черното Относителна гама SDR Colors sRGB DP YCbCr sRGB HDMI YCbCr sRGB Температура на цвета Сила на звука Усилване Over Clock	Цел Език Време на изчакване на OSD Прозрачност Скорост на обновяване Заклучване на екранното меню Вход Околна светлина Задаване на бърз клавиш Широкоекранен режим Дълбоко заспиване Режим на бърза настройка Изключване на USB зареждане Информация за дисплея Нулиране на всички настройки Изход
Всички спецификации подлежат на промяна без предизвестие.			

Открийте ръководства и други документи за вашия продукт на Асер на официалния уебсайт на Асер.

\*Годишната консумация на енергия се изчислява с помощта на типичната консумация на енергия 4 часа на ден, 365 дни в годината.

# Aceri LCD-monitori seadistamise lühijuhend (QSG)

## Olulised ohutusosalased juhised

Lugege järgmised ohutusosalased juhised hoolikalt läbi.

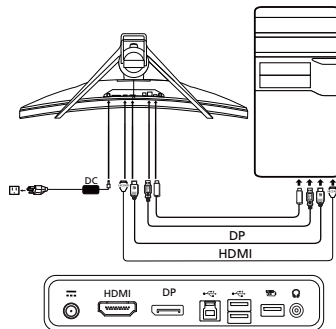
- LCD-monitori ekraani puhastamine Veenduge, et monitori elektritoite spetsifikatsioon vastab kasutuskoha elektrivõrgu omadustele.
  - Lülitage LCD-monitor välja ning tõmmake toitepistik pistikupesast välja.
  - Pihustage lapile orgaanilisi lahusteid mittesisaldavat puhastuslahust ning puhastage ekraani õrnade liigutustega.
  - ÄRGE PIHUSTAGE EGA VÄLAGE ÜHTKI VEDELIKKU OTSE EKRAANILE VÕI ÜMBRISELE.**
  - ÄRGE KASUTAGE LCD-EKRAANIL VÕI ÜMBRISEL AMMONIAAGI- VÕI ALKOHOLIPÕHISEID PUHASTUSVAHENDEID.**
  - Acer ei vastuta kahjustuste eest, mille on põhjustanud ammoniaagi-või alkoholi põhiste puhastusvahendite kasutamine.
- Ärge paigutage LCD-monitori akna lähedale. Vihm, niiskus või otsene päikesevalgus võib monitori tõsiselt kahjustada.
- Ärge suruge LCD-ekraanile. Tugev surve võib ekraani jäävalt kahjustada.
- Ärge eemaldage korpust ega üritage seadet ise remontida. Igasuguseid remonttöid tohib teha ainult selleks volitatud tehnik.
- Hoidke LCD-monitori ruumis, mille temperatuur on vahemikus -20 °C kuni 60 °C (-4 °F kuni 140 °F). Kui hoiate LCD-monitori väljaspool seda temperatuurivahemikku, võib monitor jäävalt viga saada.
- Kui tekib mõni järgmistest olukordadest, ühendage monitor kohe vooluvõrgust lahti ja pöörduge volitatud tehniku poole.
  - Monitori ja arvutit ühendav signaalikaabel saab viga.
  - LCD-monitorile satub vedelikku või monitor jääb vihma kätte.
  - LCD-monitor või selle korpus saab viga.

## Monitori kinnitamine alusele

- Võtke monitor pakendist välja ning asetage see kindlale ja ühtlasele pinnale.
- Eemaldage monitor pakendist.
- Kinnitage monitori hoidja alusele.
  - Veenduge, et alus on hoidja küljes kinni (valitud mudelitel).
  - Kinnitage alus hoidja külge, pöörates kruvi komplektis oleva sakiga või sobilikku mündiga (valitud mudelitel).

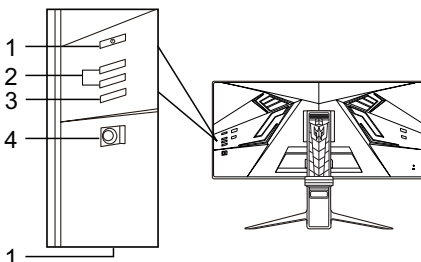
## Monitori arvutiga ühendamine

- Lülitage monitor välja ning ühendage arvuti vooluvõrgust lahti.
- 2-1 Ühendage HDMI-kaabel
  - Veenduge, et monitor ja arvuti on VÄLJA lülitatud.
  - Ühendage HDMI-kaabel arvutiga.  
HDMI-d kasutades võite vajutada mis tahes nuppu peale toitenupu, et I/O port sisse lülitada.
- 2-2 Ühendage DP-kaabel (vaikesisend)
  - Veenduge, et monitor ja arvuti on VÄLJA lülitatud.
  - Ühendage DP-kaabel arvutiga.
- Sisestage monitori toitekaabel monitori taga olevasse toitepessa.
- Ühendage arvuti toitekaabel ja monitori toitekaabel lähedalolevasse pistikupesassa.
- Seadke suvandi Power-off USB charge (USB laadimine väljalülitatud olekus) väärtuseks SEES või VÄLJAS, et väljalülitatud olekus USB-laadimine vastavalt lubada või keelata.



## Füüsilised nupud

Nr	Nimetus	Kirjeldus
1	Toitenupp/-indikaator	Lülitab monitori sisse/välja. Kui monitor on sisse lülitatud, on indikaator sinine. Kui monitor on puhke-/säätsurežiimis, on indikaator kollane.
2	Kiirklahv 1, 2 nuppu	Vajutage, et kasutaja määratud kiirpupu funktsioon sisse lülitada.
3	Sisendi nupp	Vajutage sisendite vahel lülitumiseks.
4	Navi/OK nupp	Vajutage, et OSD menüü aktiveerida, seejärel kasutage seda juhtnupuna soovitud funktsiooni esiletõstmiseks. Vajutage seda uuesti valiku sisestamiseks.





## Eeskirjad ja ohutusteatised

### FCC teatis

Seadet on katsetatud ning katsete tulemused näitavad, et seade vastab FCC eeskirjade osas 15 sätestatud B-klassi digitaalseadmele kehtivatele piirmääradele. Need piirmäärad peaksid tagama mõistlikus ulatuses kaitse ohtlike raadiohäirete eest elamukeskkonnas. Seade genereerib ja kasutab raadiosageduslikke voole ning võib kiirata raadiosageduslikku kiirgust, mis võib põhjustada raadioside kahjulikke häireid, kui seadet ei paigaldada ja kasutata kooskõlas juhistega.

Siiski ei saa ka kõigi juhiste täitmisel tagada, et konkreetses paigaldises häireid ei teki. Kui seade põhjustab raadio- või televisioonivastuvõtu kahjulikke häireid, mille kindlakstegemiseks võib seadme välja ja uuesti sisse lülitada, soovime võtta häirete kõrvaldamiseks ühe või mitu järgmistest meetmetest.

- Suunake või paigutage vastuvõttev antenn ümber.
- Suurendage seadme ja vastuvõtja vahelist kaugust.
- Ühendage seade vastuvõtja toitevõrgust eraldatud toitevõrku.
- Küsige abi edasimüüjalt või kogenud raadio-/televisiooniinsenerilt.

### CE nõuetele vastavuse deklaratsioon

Käesolevaga kinnitab Acer Inc., et kõnealune LCD-monitor vastab EMÜ direktiivi 2014/30/EL, madalpingedirektiivi 2014/35/EL, ohtlike ainete direktiivi 2011/65/EL ja direktiivi 2009/125/EÜ, mis käsitleb raamistiku kehtestamist energiamõjuga toodete ökodisaini nõuete sätestamiseks, põhinõuetele ja muudele asjaomastele sätetele.

### Tähelepanu!

Monitori kahjustamise vältimiseks ärge tõstke monitori selle alusest kinni hoides.

### Tähelepanu! Varjestatud kaablid

EMÜ eeskirjade täitmiseks tuleb igasugused digitaalseadmete vahelised ühendused teostada varjestatud kaablitega.

### Tähelepanu! Välisseadmed

Seadmega võib ühendada ainult B-klassi piirmääradele vastavuse sertifikaadiga välisseadmeid (sisend-/väljundseadmed, terminalid, printerid jne). Sertifikaadita välisseadmete kasutamisega kaasnevad tõenäoliselt raadio- ja televisioonivastuvõtu häired.

### Ettevaatust!

Igasugused tootja heakskiiduta tehtud muudatused või modifikatsioonid võivad tühistada USA sideameti FCC antud loa seda toodet kasutada.

### Kasutamistingimused

Seade vastab FCC eeskirjade osale 15. Kasutamisel peavad olema täidetud kaks järgmist tingimust: (1) seade ei tohi tekitada kahjulikke raadiohäireid ja (2) seade ei tohi vastu võtta kahjulikke raadiohäireid, muu hulgas seadme tööd negatiivselt mõjutada võivad raadiohäireid.

### Tähelepanu! Kasutajad Kanadas

Kõnealune B-klassi digitaalseade vastab Kanada standardile ICES-003.

### Remarque à l'intention des utilisateurs canadiens

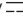
Cet appareil numérique de la classe B est conforme à la norme NMB-003 du Canada.

### Elektri- ja elektroonikaseadmete jäätmete kõrvaldamine Euroopa Liidu olmekasutajate poolt



See tootel või toote pakendil olev tingmärk näitab, et toodet ei tohi kõrvaldada koos muude olmejäätmetega. Selle asemel olete kohustatud kasutamiskõlbmatuks muutunud seadme kõrvaldama, andes selle üle kohalikus elektri- ja elektroonikaseadmete jäätmete kogumiskohas. Kasutamiskõlbmatuks muutunud seadmete eraldi kogumine ja ringlussevõtmine nende jäätmekäitlussüsteemi sattumise kohas aitab loodusvarasid säästa ning tagada jäätmete ringlussevõtmise inimeste tervist ja keskkonda võimalikult vähe kahjustaval viisil. Lisateavet selle kohta, kuhu kasutuskõlbmatuks muutunud seadmed ringlussevõtmiseks viia, saate kohalikust omavalitsusest, oma jäätmeveoteenuse osutajalt või poest, kust toote ostsite.

# TEHNILISED ANDMED

LCD-paneel	Tööpõhimõte	Värviline TFT LCD	
	Suurus	35"W (88,9 cm)	
	Piksli mõõtmed	0,24 mm (H) × 0,24 mm (V)	
	Heledus	Loomulik: 600 cd/m <sup>2</sup> ; HDR-režiim: 1000 cd/m <sup>2</sup> (maksimum)	
	Kontrastsus	2500:1	
	Vaatenurk	178° (H) 178° (V) (CR=10)	
	Reageerimisaeg	2 ms (GTG)	
	Paneeli tüüp	VA	
	H-sagedus	HDMI: 30 – 150 KHz DP: 88 – 282 KHz	
V-sagedus	HDMI: 24 – 100 Hz DP: 24 – 180 Hz		
Värvitüüp	16,7 Miljon		
Pikselsagedus	HDMI 2.0: 543,5 MHz DP 1.4: 1017 MHz DP 1.4: 1056 MHz (DP ülekirjendamis funktsioon = SEES)		
Maksimaalne lahutusvõime	HDMI: 3440 x 1440 @ 100 Hz DP: 3440 x 1440 @ 180 Hz DP: 3440 x 1440 @ 200 Hz (Ülekirjendamisrežiim ainult G-Synci jaoks)		
Isehäälestumine	VESA DDCI/DC2B		
Energiaeflususe klass	D		
*Aastane energiatarve	145 (kWh) (HDMI-sisendiga mudelil)		
Elektritarbimine (200 niti juures)	Sisselülitatuna	64,1 W (tüüpline)	
	Puhkerežiimis	0,50 W (tüüpline)	
	Väljalülitatuna	0,50 W (tüüpline)	
Sisendpistik	HDMI DP		
Video sisendsignaali	HDMI-signaali DP		
Kõlarid	4 W x 2		
USB	USB 3.0 × 3		
Ekraani maksimaalsed mõõtmed	Horisontaalne: 819,408 mm Vertikaalne: 345,888 mm		
Toiteallikas	20V  14A		
Keskkonningimused	Töötemperatuur: 0 °C kuni 40 °C Säilitamistemperatuur: -20 °C kuni 60 °C Õhuniiskus töökeskkonnas: 20% kuni 80%		
Mõõtmed	833 (L) × 450,5 kuni 580,5 (K) × 309 (S) mm		
Mass (netomass)	13,39 kg (neto)		
Mehaanilised andmed	Kaldenurk: -5° kuni +25° (kaldenurk 25 kraadi on saavutatav ainult monitori kõrgeimas asendis) Pöördenurk: -30° kuni +30° Kõrguse reguleerimisvahemik: 0 mm kuni 130 mm Pöördepunkt: ei Lahtivõetav jalg: jah		
Füüsilised nupud	Lülitid/nupud	Toitenupp Kiriaklav 1 Kiriaklav 2	Sisend 5 Navi klahvi
	Funktsioonid	Heledus Kontrastsus Sinine tuli Dark Boost Reageeriv tagantvalgustus SDR Variable Backlight Automaatne heledus Automaatne musta tase Suhteline gamma SDR Colors sRGB DP YCbCr sRGB HDMI YCbCr sRGB Värvitemperatuur Helitugevus Ülikiirendus Ülekiirendamine	Sihik Keel Menüü ajapiirang Läbipaistvus Värskendamissagedus Ekraanikuva lukk Sisend Ümbrisev valgus Kiriaklahvi määramine Laiakraanirežiim Sügava une režiim Kiire alustamise režiim Väljalülitatud olekus USB-laadimine Monitori teave Lähtesta kõik seaded Välju
Kõiki tehnilisi andmeid võidakse ette teatamata muuta.			

Oma Aceri toote juhendid ja muud dokumendid leiata Aceri ametlikult klienditoe veebisaidilt.

\*Aastase energiatarve arutamise aluseks on tüüpline toitevõimsus ning kasutamine 4 tundi päevas 365 päeva aastas.

# LCD monitoriaus „Acer“ trumpasis sąrankos vadovas (angl. QSG)

## Svarbios saugos instrukcijos

Atidžiai perskaitykite šias instrukcijas.

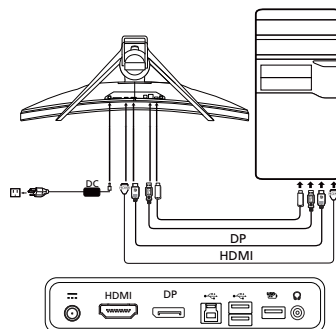
1. Norėdami nuvalyti LCD monitoriaus ekraną; būtina įsitikinkite, kad jūsų monitoriaus vardinė elektros galia atitinka jūsų vietovėje tiekiamos kintamosios srovės galią.
  - Išjunkite LCD monitorių ir ištraukite iš lizdo maitinimo laidą kištuką.
  - Ant skudurėlio užpurškite valomojo skysčio, kurio sudėtyje nėra tirpiklių, ir švelniai nuvalykite ekraną.
  - **NIEKADA ANT EKRANO ARBA ANT KORPUSO NEPURKŠKITE IR NEPIPKITE JOKIŲ SKYSČIŲ.**
  - **LCD EKRANUI AR KORPUSUI VALYTI NENAUDOKITE JOKIŲ AMONIAKINIŲ AR ALKOHOLINIŲ VALIKLIŲ.**
  - „Acer“ neatsakys už žalą, kurią gali padaryti amoniakiniai arba alkoholiniai valikliai.
2. Nestatykite LCD monitoriaus šalia lango. Jei ant monitoriaus pateks lietus, drėgmės ar saulės spinduliai, jis gali būti stipriai sugadintas.
3. Nespauskite LCD ekrano. Per daug spaudžiant galima nepataisomai sugadinti ekraną.
4. Nenuimkite dangčio ir nemėginkite patys atlikti šio įrenginio techninės priežiūros. Bet kokio pobūdžio techninius darbus turėtų atlikti įgaliotas meistras.
5. LCD monitorių laikykite -20–60 °C (-4–140 °F) temperatūros patalpoje. Nesilaikant nurodytos temperatūros monitorius gali būti nepataisomai sugadintas.
6. Nedelsdami atjunkite monitorių nuo maitinimo ir kreipkitės į įgaliotą techninės priežiūros meistrą bet kuriuo iš šių atvejų:
  - Atspuro arba pažeistas monitoriaus prijungimo prie kompiuterio laidas.
  - Ant LCD monitoriaus išsiliejo skystis arba monitorių apljio.
  - Pažeistas LCD monitorius arba jo korpusas.

## Monitoriaus tvirtinimas prie pagrindo

1. Išimkite monitoriaus pagrindą iš pakuotės ir padėkite ant stabilios ir lygios darbo vietos.
2. Išimkite monitorių iš pakuotės.
3. Pritvirtinkite monitoriaus stovo atšaką prie pagrindo.
  - Įsitikinkite, kad pagrindas užsifiksavo monitoriaus stovo atšakoje (tam tikriems modeliams).
  - Pritvirtinkite pagrindą prie stovo atšakos, pasukdami varžtą kortele arba tinkamo dydžio moneta (tam tikriems modeliams).

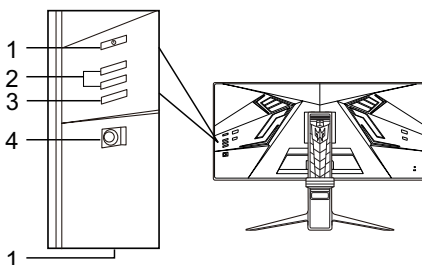
## Monitoriaus prijungimas prie kompiuterio

1. Išjunkite monitorių ir ištraukite kompiuterio maitinimo laidą iš elektros lizdo.
2. 2-1 Prijunkite HDMI laidą
  - a. Įsitikinkite, kad ir monitorius, ir kompiuteris yra išjungti.
  - b. Prijunkite HDMI laidą prie kompiuterio.Naudodami HDMI galite spausti bet kurį mygtuką, išskyrus maitinimo mygtuką, kad įjungtumėte lėjimo / išėjimo jungties šaltinį.
- 2-2 Prijunkite DP laidą (Numatytoji įvestis)
  - a. Įsitikinkite, kad ir monitorius, ir kompiuteris yra išjungti.
  - b. Prijunkite DP laidą prie kompiuterio.
3. Įkiškite monitoriaus maitinimo laidą į maitinimo lizdą monitoriaus nugarėlėje.
4. Prijunkite kompiuterio ir monitoriaus maitinimo laidus prie greta esančio elektros lizdo.
5. Pasirinkite USB įkrovimo išjungus funkcijos ĮJUNGIMĄ arba IŠJUNGIMĄ, kad įjungtumėte arba išjungtumėte USB įkrovimo išjungus funkciją.



## Išoriniai valdikliai

Nr.	Elementas	Aprašymas
1	Maitinimo mygtukas / indikatorius	Įjungia ir išjungia monitorių. Mėlynas rodo įjungtą maitinimą. Oranžinis rodo budėjimo / energijos taupymo režimą.
2	Spartusis klavišas 1, 2 mygtukai	Paspauskite, norėdami įjungti naudotojo nustatytą sparciojo klavišo funkciją.
3	Įvesties mygtukas	Paspauskite, kad perjungtumėte įvesties šaltinius.
4	Navigacijos mygtukas / mygtukas „Gerai“	Paspauskite, norėdami įjungti OSD meniu, tuomet naudokite jį kaip kryptinį mygtuką, norėdami pažymėti norimą funkciją. Paspauskite dar kartą, norėdami įvesti pasirinkimą.



## Reglamentai ir saugos pranešimai

### FCC pranešimas

Šis įrenginys išbandytas ir nustatyta, kad jis atitinka pagal FCC taisyklių 15 dalį B klasės skaitmeniniams įrenginiams taikomus apribojimus. Šie apribojimai skirti tinkamai apsaugai nuo žalingų trikdžių gyvenamojoje aplinkoje užtikrinti. Šis prietaisas generuoja, naudoja ir gali skleisti radijo dažnio energiją. Jei jis bus įrengtas ir naudojamas nesilaikant šių instrukcijų, jis gali skleisti žalingus radijo ryšio trikdžius. Tačiau nėra garantijų, kad tam tikroje aplinkoje trikdžių neatsiras. Jei šis įrenginys sukelia žalingų radijo arba televizijos signalų trikdžių (tai galima nustatyti įjungus ir išjungus prietaisą), naudotojui rekomenduojama tokius trikdžius pašalinti atlikus vieną ar kelis toliau nurodytus veiksmus:

- pakeisti antenos kryptį arba vietą;
- padidinti atstumą tarp įrenginio ir imtuvo;
- prijungti prietaisą prie kitos maitinimo grandinės maitinimo lizdo, nei yra prijungtas imtuvas;
- kreiptis pagalbos į pardavimo atstovą arba patyrusį radijų ar televizorių meistrą.

### CE atitikties deklaracija

„Acer Inc.“ pareiškia, kad šis LCD monitorius atitinka EMC direktyvos 2014/30/ES, Žemos įtampos įrenginių direktyvos 2014/35/ES, RoHS direktyvos 2011/65/ES ir Direktyvos 2009/125/EB būtinuosius reikalavimus ir kitas susijusias nuostatas dėl su energija susijusių gaminių ekologinio projektavimo reikalavimų sistemos sukūrimo.

### Įspėjimas:

Kad neapgadintumėte monitoriaus, nekelkite jo už pagrindo.

### Įspėjimas: ekranuotieji kabeliai

Visiems sujungimams su kompiuterine įranga turi būti naudojami ekranuotieji kabeliai, kad būtų užtikrinta atitiktis EMC reglamentams.

### Įspėjimas: išoriniai įrenginiai

Prie šio įrenginio galima jungti tik patvirtintus B klasės apribojimus atitinkančius išorinius įrenginius (įvesties / išvesties įrenginius, terminalus, spausdintuvus ir kt.). Naudojant nesertifikuotus išorinius įrenginius gali kilti radijo ir televizijos signalų priėmimo trikdžių.

### Įspėjimas

Gamintojo aiškiai nepatvirtinti pakeitimai panaikina Federalinės komunikacijų komisijos leidimą naudoti šį gaminį.

### Naudojimo sąlygos

Šis įrenginys atitinka FCC taisyklių 15 dalį. Naudojimui taikomos šios dvi sąlygos: 1) įrenginys negali kelti žalingų trikdžių; 2) šis įrenginys turi priimti bet kokius gautus trikdžius, įskaitant ir nepageidaujamą veikimą galinčius sukelti trikdžius.

### Įspėjimas: naudotojams Kanadoje

Šis B klasės skaitmeninis prietaisas atitinka Kanados teisės aktą ICES-003.

### Remarque à l'intention des utilisateurs canadiens

Cet appareil numérique de la classe B est conforme à la norme NMB-003 du Canada.

### Privačių namų ūkių naudotojų įrangos atliekų šalinimas Europos Sąjungoje



Šis ant gaminio arba jo pakuotės esantis simbolis rodo, kad gaminio negalima išmesti su kitomis buitinėmis atliekomis. Jūs esate atsakingi už įrangos atliekų atidavimą į specialų elektrinės ir elektroninės įrangos perdirbimo surinkimo punktą. Atskiras įrangos atliekų surinkimas ir perdirbimas padės išsaugoti gamtos išteklius ir užtikrinti, kad įranga būtų perdirbta žmogaus sveikatai ir aplinkai saugiu būdu. Daugiau informacijos apie tai, kur galima palikti savo įrangos atliekas perdirbti, gausite iš savo vietos savivaldybės, buitinių atliekų išvežimo tarnybos arba parduotuviėje, kurioje įsigijote šį gaminį.



# TECHNINIAI DUOMENYS

LCD plokštė	Valdymo sistema	TFT spalvinis LCD	
	Dydis	35"W (88,9 cm)	
	Vaizdo taškų dydis	0,24 mm (H) x 0,24 mm (V)	
	Ryškusumas	Savasis: 600 cd/m <sup>2</sup> ; HDR režimas: 1000 cd/m <sup>2</sup> (didžiausias)	
	Kontrastas	2500:1	
	Regimasis kampas	178° (H) 178° (V) (CR=10)	
	Atsako trukmė	2 ms (GTG)	
	Plokštės tipas	VA	
	Horizontalusis dažnis	HDMI: 30–150 KHz DP: 88–282 KHz	
Vertikalusis dažnis	HDMI: 24–100 Hz DP: 24–180 Hz		
Ekranas spalvos	16,7 milijonų		
Taškų dažnis	HDMI 2.0: 543,5 MHz DP 1.4: 1017 MHz DP 1.4: 1056 MHz (DP didesnio greičio (tik DP) funkcija = JUNGTA)		
Didžiausia skiriamoji geba	HDMI: 3440 x 1440 @ 100 Hz DP: 3440 x 1440 @ 180 Hz DP: 3440 x 1440 @ 200 Hz (Dažnio didinimo režimas tik su „G-Sync“)		
Funkcija Plug & Play	VESA DDCI / DDC2B		
Energijos vartojimo efektyvumo klasė	D		
* Energijos sąnaudos per metus	145 (kWh) (HDMI įvesties modeliui)		
Energijos sąnaudos (esant 200 nitų)	Ijungimo režimu	64,1 W (įprastos)	
	Miego režimu	0,50 W (įprastos)	
	Išjungimo režimu	0,50 W (įprastos)	
Įvesties jungtis	HDMI DP		
Vaizdo įvesties signalas	HDMI signalas DP		
Garsiakalbiai	4 W x 2		
USB	USB 3.0 x 3		
Didžiausias ekrano dydis	Horizontaliai: 819,408 mm Vertikalai: 345,888 mm		
Maitinimo šaltinis:	20V — 14A		
Aplinkos sąlygos	Naudojimo temperatūra: 0–40 °C Saugojimo temperatūra: -20–60 °C Naudojimo drėgmė: 20–80 %		
Matmenys	833 (P) x 450,5 – 580,5 (A) x 309 (G) mm		
Svoris (grynasis)	13,39 kg (grynasis)		
Mechanizmų techniniai duomenys	Pakreipimas: nuo -5° iki +25° (tik aukščiausiame pakėlimo taške galima pakreipti 25 laipsnių kampų) Pasukimas: nuo -30° iki +30° Aukščio reguliavimas: nuo 0 iki 130 mm Sukimosi ašis: Nėra Nuimamas stovas: Yra		
Išoriniai valdikliai	Jungiklis / mygtukai	Maitinimo mygtukas Spartusis klavišas 1 Spartusis klavišas 2	Įvestis 5 navigacijos mygtukas
	Funkcijos	Ryškusumas Kontrastas Mėlyna šviesa Dark Boost Foninio apšvietimo atsakas SDR Variable Backlight Automatinis šviesumas Automatinis juodumo lygis Santykinė gama DP Colors sRGB DP YCbCr sRGB HDMI YCbCr sRGB Spalvinė temperatūra Garsumas Greitinimas Didesnis greitis	Taikiny Kalba Ekranas rodinio skirtasis laikas Permatomumas Atnaujinimo dažnis OSD užraktas Įvestis Aplinkos apšvietimas Greitojo mygtuko priskyrimas Platusis režimas Gilusis miegas Greitojo paleidimo režimas Įkrovimas per USB išjungus Ekranas informacija Nustatyti visus nustatymus iš naujo Išeiti
Visi techniniai duomenys gali būti keičiami iš anksto nepranešus.			

„Acer“ gaminių vadovus ir kitus dokumentus rasite oficialioje „Acer“ palaikymo svetainėje.

\*Energijos sąnaudos per metus apskaičiuojamos naudojant įprastą 4 valandų per dieną, 365 dienų per metus sąnaudą.

# Acer LCD monitora īsā darba sākšanas rokasgrāmata (QSG)

## Svarīgas drošības instrukcijas

Lūdzu, uzmanīgi izlasiet tālāk sniegtās instrukcijas.

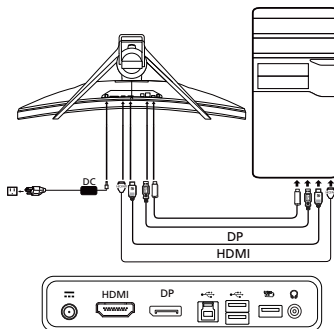
- LCD monitora ekrāna tīrīšana. Pārbaudiet, vai monitora elektriskais spriegums ir piemērots ierīces izmantošanai ar jūsu atrašanās vietā esošo maiņstrāvu.
  - Izslēdziet LCD monitoru un atvienojiet strāvas vadu.
  - Uz rāmja uzsmidziniet tīrīšanas šķidrums, kas nešķīdina, un uzmanīgi notīriet ekrānu.
  - NEKAD NESMIDZINĒT UN NELEJĒT ŠKĪDRUMU TIEŠI UZ EKRĀNA VAI APVALKA.**
  - LŪDZU, NEIZMANTOJĒT JEBKĀDA VEIDA AMONJAKU VAI ALKOHOLU SATUROŠUS TĪRĪTĀJUS UZ LCD DISPLEJA EKRĀNA VAI APKALVA.**
  - Acer nebūs atbildīgs par bojājumiem, kas radušies, izmantojot amonjaku vai alkoholu saturošus tīrītājus.
- Nenovietojiet LCD monitoru blakus logam. Nepakļaujiet monitoru lietus, mitruma vai saules staru ietekmei, jo tas var būtiski bojāt monitoru.
- Nespiediet ar spēku uz LCD ekrāna. Pārmērīgi liels spēks var neatgriezeniski bojāt displeju.
- Nenopiemiet apvalku un nemēģiniet pats veikt šīs daļas apkopi. Apkopes darbus drīkst veikt tikai pilnvarots tehniskā atbalsta pārstāvis.
- Glabājiet LCD monitoru telpā, kur temperatūra ir no -20 līdz 60 °C (no -4 līdz 140 °F). Ja monitors tiks glabāts temperatūrā, kura pārsniedz šos ierobežojumus, monitors var tikt neatgriezeniski bojāts.
- Ja rodas kāda no tālāk minētajām situācijām, nekavējoties atvienojiet monitoru un zvaniet pilnvarotam tehniskā atbalsta pārstāvim:
  - Monitora un datora signāla kabelis ir saplīsis vai sabojājies.
  - Uz LCD monitora tiek izšāķts šķidrums, vai monitors tiek pakļauts lietus.
  - LCD monitors vai tā apvalks ir bojāts.

## Monitora pievienošana pamatnei

- Izņemiet monitora pamatni no iepakojuma un novietojiet to uz stabilas līdzenas virsmas.
- Izņemiet monitoru no iepakojuma.
- Pievienojiet monitora statīvu pamatnei.
  - Pārbaudiet, vai pamatne ir fiksēta pie monitora statīva (atsevišķiem modeļiem).
  - Lai pamatni piestiprinātu monitora statīvam, ieskrūvējiet skrūvi, izmantojot iestrādāto izcīlni vai piemērotu monētu (atsevišķiem modeļiem).

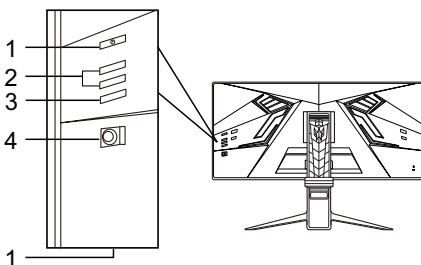
## Monitora pievienošana datoram

- Izslēdziet monitoru un atvienojiet datora strāvas vadu.
- 2-1 Pievienojiet HDMI kabeli
  - Pārbaudiet, vai monitors un dators ir izslēgti.
  - Pievienojiet HDMI kabeli datoram. Izmantojot HDMI, var nospiegt jebkuru pogu, izņemot ieslēgšanas/izslēgšanas pogu, lai aktivizētu I/O porta avotu.
- 2-2 Pievienojiet DP kabeli (noklusējuma ievade)
  - Pārbaudiet, vai monitors un dators ir izslēgti.
  - Pievienojiet DP kabeli datoram.
- Pievienojiet monitora strāvas vadu monitora aizmugurē esošajām strāvas portām.
- Pievienojiet datora un monitora strāvas vadus tuvumā esošā kontaktlīdzdā.
- Atlasiet USB uzlādes izslēgšanas funkciju ON/OFF pozīcijā, lai iespējotu/atspējotu USB uzlādes izslēgšanas funkciju.



## Ārējās vadītāks

Nr.	Vienums	Apraksts
1	Ieslēgšanas/izslēgšanas poga/indikators	Ieslēdz/izslēdz monitoru. Zils indikators norāda par ieslēgtu pozīciju. Dzeltens indikators norāda par gaidstāves/enerģijas taupīšanas režīmu.
2	1. un 2. karstais taustiņš	Nospiediet, lai aktivizētu lietotāja definēto karstā taustiņa funkciju.
3	Ievades poga	Nospiediet, lai pārslēgtu ievades avotus.
4	Navīģēšanas/OK (Labi) poga	Nospiediet, lai aktivizētu OSD izvēlni, un pēc tam izmantojiet kā norādīšanas taustiņu, lai iezīmētu vēlamu funkciju. Kad tas ir paveikts, nospiediet vēlreiz šo pogu, lai veiktu atlasī.



## Regulas un drošības paziņojumi

### FCC paziņojums

Šī ierīce ir pārbaudīta, un tā atbilst B klases digitālo ierīču ierobežojumiem atbilstoši FCC noteikumu 15. daļai. Šie ierobežojumi paredz pienācīgu aizsardzību pret kaitīgu ietekmi, ja ierīce tiek lietota saskaņā ar instrukcijām. Šī ierīce ģenerē, izmanto un izstaro radiofrekvences enerģiju, un, ja tā netiek uzstādīta un lietota atbilstoši instrukcijām, tā var kaitīgi ietekmēt radio sakarus. Taču netiek sniegta garantija, ka kaitīga ietekme neradīsies parastā uzstādīšanas gadījumā. Ja šī ierīce kaitīgi ietekmē radio vai televīzijas sakarus (to var noteikt, izslēdzot un pēc tam ieslēdzot ierīci), lietotājam ir ieteicams veikt vienu vai vairākus tālāk sniegtos norādījumus, lai to novērstu.

- Pārgrieziet vai pārvietojiet uztvērējantenu.
- Pārvietojiet ierīci tālāk no uztvērēja.
- Pievienojiet ierīci citā elektriskajā ķēdē, nevis tajā, kurā ir pievienots uztvērējs.
- Sazinieties ar izplatītāju vai pieredzējušu radio/televīzoru apkopes speciālistu, lai saņemtu palīdzību.

### CE paziņojums par atbilstību

Ar šo Acer Inc. paziņo, ka šis LCD monitors atbilst visām būtiskām prasībām un citiem saistošiem noteikumiem, kas minēti EMC direktīvā 2014/30/ES, zemsprieguma direktīvā 2014/35/ES, RoHS direktīvā 2011/65/ES un direktīvā 2009/125/EK saistībā ar ekodizaina prasību īstenošanu energotaupīgos produktos.

### Paziņojums

Lai novērstu bojājumu monitoram, neceliet to aiz pamatnes.

### Paziņojums Aizsargāti kabeli

Visi savienojumi ar citām datorierīcēm ir jāveido, izmantojot aizsargātus kabelus, lai nodrošinātu atbilstību EMC prasībām.

### Paziņojums Perifērās ierīces

Šim aprīkojumam drīkst pievienot tikai tādas perifērās ierīces (ieejas/izejas ierīces, terminālus, printerus utt.), kas ir sertificētas un atbilst B klases ierobežojumiem. Darbināšana, izmantojot nesertificētas perifērās ierīces var radīt traucējumus radio un TV signālu uztveršanā.

### Uzmanību!

Izmaiņas vai modifikācijas, ko ražotājs nav skaidri atļāvis, var anulēt Federālās sakaru komisijas piešķirtās tiesības lietotājam darbināt šo ierīci.

### Darbības nosacījumi

Šī ierīce atbilst FCC noteikumu 15. daļai. Uz darbību attiecas šie divi nosacījumi: 1) Šī ierīce nedrīkst izraisīt kaitīgu ietekmi; 2) Šai ierīcei ir jāuztver visa saņemtā ietekme pat tādā gadījumā, ja tas var izraisīt nevēlamu darbību.

### Paziņojums Lietotājiem Kanādā

Šī B klases digitālā ierīce atbilst Kanādas noteikumiem ICES-003.

### Remarque à l'intention des utilisateurs canadiens

Cet appareil numérique de la classe B est conforme à la norme NMB-003 du Canada.

### Nolietotā aprīkojuma utilizēšana, kas attiecas uz privātām mājāsaimniecībām Eiropas Savienībā



Šis simbols uz produkta vai tā iepakojuma norāda, ka šo produktu nedrīkst utilizēt kopā ar mājāsaimniecības atkritumiem. Jūsu pienākums ir utilizēt nolietoto aprīkojumu, nododot to speciālās savākšanas vietās, kur notiek elektriskā un elektroniskā aprīkojuma otrreizēja pārstrāde. Atsevišķa nolietotā aprīkojuma savākšana un otrreizēja utilizēšana palīdz taupīt dabas resursus un nodrošina tādu pārstrādi, kas pasargā cilvēku veselību un vidi. Lai iegūtu papildinformāciju par vietām, kur var nodot nolietoto aprīkojumu otrreizējai pārstrādei, lūdz, sazinieties ar savu pašvaldību, mājāsaimniecības aprīkojumu utilizēšanas dienestu vai veikalu, kur iegādājāties produktu.

## SPECIFIKĀCIJA

LCD panelis	Vadošā sistēma	TFT krāsu LCD	
	Lielums	35"W (88,9 cm)	
	Pikseļi	0,24 mm x 0,24 mm (augstums x platums)	
	Spilgtums	Dzintais: 600 cd/m <sup>2</sup> ; HDR režīms: 1000 cd/m <sup>2</sup> (augstākais punkts)	
	Kontrasts	2500:1	
	Skata leņķis	178° (H) 178° (V) (CR=10)	
	Reaģēšanas laiks	2 ms (GTG)	
	Paneļa tips	VA	
	H-frekvence	HDMI: 30–150 KHz DP: 88–282 KHz	
	V-frekvence	HDMI: 24–100 Hz DP: 24–180 Hz	
Displeja krāsas		16,7 milj.	
Punktu pulkstenis		HDMI 2.0: 543,5 MHz DP 1.4: 1017 MHz DP 1.4: 1056 MHz (DP virstaktēšanas funkcija = IESL.)	
Maksimālā izšķirtspēja		HDMI: 3440 x 1440 @ 100 Hz DP: 3440 x 1440 @ 180 Hz DP: 3440 x 1440 @ 200 Hz (Pārskata režīms tikai G-Sync)	
Plug & Play		VESA DDCI/DDC2B	
Enerģijas efektivitātes klase		D	
* Enerģijas patēriņš gadā		145 (kWh) (modeļiem ar HDMI ieeju)	
Enerģijas patēriņš (200 niti)	Ieslēgtā režīmā	64,1 W (parasti)	
	Miega režīmā	0,50 W (parasti)	
	Izslēgtā režīmā	0,50 W (parasti)	
Ieejas savienotājs		HDMI DP	
Ieejas videosignāls		HDMI signāls DP	
Skalruni		4 W x 2	
USB		USB 3.0 x 3	
Maksimālais ekrāna lielums		Horizontāli: 819,408 mm Vertikāli: 345,888 mm	
Enerģijas avots		20V  14A	
Vides apsvērumi		Darbības temperatūra: 0–40 °C Glabāšanas temperatūra: -20–60 °C Darbības mitrums: 20–80 %	
Izmēri		833 x 450,5 ~ 580,5 x 309 mm (platums x augstums x dziļums)	
Svars (N. W.)		13,39 kg (neto)	
Mehānisma specifikācijas		Sasvēršana: -5° līdz +25° (25 grādu sasvēršana iespējama tikai visaugstākajā punktā) Pagriešana: -30° līdz +30° Augstuma regulēšana: 0 līdz 130 mm Sasvēršana: nav Atvienojama pamatne: ir	
Ārējās vadīklas	Slēdži/pogas	Ieslēgšanas poga 1. karstais taustiņš 2. karstais taustiņš	Ieeja 5 navigācijas taustiņš
	Funkcijas	Spilgtums Kontrasts Zils indikators Dark Boost Fona gaismas atbilde SDR Variable Backlight Automātisks spilgtums Automātisks tumsas līmenis Relatīvā gamma SDR Colors sRGB DP YCbCr sRGB HDMI YCbCr sRGB Krāsu temperatūra Skalums Paātrinājums Virstaktēšana	Mērķēšanas punkts Valoda Ekrāna izvēlnes taimauts Caurspīdīgums Atsvaidziniet rādītāja numuru OSD bloķēšana Ievade Visaptveroša gaisma Karstā taustiņa piešķiršana Platais režīms Dzija snauva Ātrā sākuma režīms Nav jaudas USB uzlāde Displeja informācija Visu iestatījumu atiestatīšana Iziešana
Visas specifikācijas var tikt mainītas bez paziņojuma.			

Acer produktu rokasgrāmatas un citus dokumentus skatiet oficiālā Acer atbalsta vietnē.

\* Enerģijas patēriņš gadā tiek aprēķināts, izmantojot parastu enerģijas patēriņa apjomu 4 stundās/dienā, 365 dienās gadā.



## Vodič za brzo pokretanje Acer LCD monitora (QSG)

### Važne sigurnosne upute

Pažljivo pročitajte upute u nastavku.

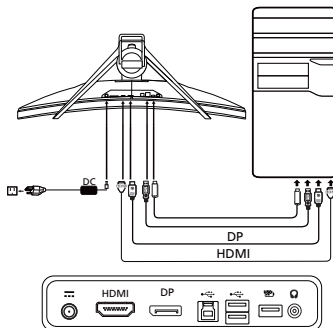
- Čišćenje zaslona LCD monitora: Provjerite odgovara li nazivna snaga monitora snazi električne distribucijske mreže u području u kojem se nalazite.
  - Isključite LCD monitor i iskopčajte kabel za napajanje.
  - Na krpu raspršite neotapajuće sredstvo za čišćenje i nježno očistite zaslon.
  - NIKAD NE RASPRŠUJTE NITI NE IZLIJEVAJTE BILO KAKVU TEKUĆINU IZRAVNO NA ZASLON ILI KUĆIŠTE.**
  - NA POVRŠINU LCD ZASLONA NITI NA KUĆIŠTE NE PRIMJENJUJTE SREDSTVA ZA ČIŠĆENJE NA BAZI AMONIJAKA ILI ALKOHOLA.**
  - Acer ne prihvaća odgovornost za štete nastale zbog upotrebe sredstava za čišćenje na bazi amonijaka ili alkohola.
- LCD monitor nemojte postavljati blizu prozora. Izlaganje monitora kiši, vlazi ili sunčevoj svjetlosti može uzrokovati teško oštećenje monitora.
- Nemojte pritisnuti LCD zaslon. Jak pritisak može trajno oštetiti zaslon.
- Nemojte uklanjati poklopac i ne pokušavajte sami popraviti uređaj. Sve popravke treba izvršiti ovlašteni tehničar.
- LCD monitor skladištite u prostoriji u kojoj je temperatura između -20 °C i 60 °C (-4 °F i 140 °F). Skladištenje LCD monitora na temperaturi izvan ovog raspona može trajno oštetiti uređaj.
- Ako se dogodi nešto od navedenog u nastavku, odmah isključite monitor i pozovite ovlaštenog tehničara:
  - Signalni kabel za povezivanje monitora i računala je izlisan ili oštećen.
  - LCD monitor je zaliven tekućinom ili je bio izložen kiši.
  - Na LCD monitoru ili kućištu postoje oštećenja.

### Pričvršćivanje monitora na stalak

- Stalac monitora izvadite iz ambalaže i postavite ga na čvrstu, ravnu radnu površinu.
- Izvadite monitor iz ambalaže.
- Pričvrstite postolje monitora na stalak.
  - Provjerite je li postolje pravilno pričvršćeno na stalak. (Za neke modele)
  - Kako biste dobro učvrstili postolje na stalak, pomoću ravnog alata ili novčića odgovarajuće veličine pritegnite vijak. (Za neke modele)

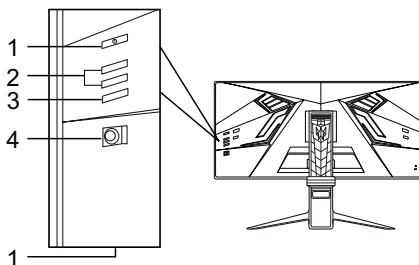
### Povezivanje monitora i računala

- Isključite monitor i kabel za napajanje računala iskopčajte iz napajanja.
- 2-1 Prikjučivanje HDMI kabela
  - Isključite i monitor i računalo.
  - Ukopčajte HDMI kabel u računalo. Kada se koristi HDMI, za aktiviranje ulazno-izlaznog priključka možete pritisnuti bilo koji gumb osim gumba za uključivanje.
- 2-2 Priključivanje DP kabela (zadani ulaz)
  - Isključite i monitor i računalo.
  - Ukopčajte DP kabel u računalo.
- Ukopčajte kabel za napajanje monitora u priključak za napajanje na stražnjoj strani monitora.
- Ukopčajte kabele za napajanje monitora i računala u izvor napajanja.
- Za omogućavanje/onemogućavanje funkcije punjenja uređaja putem USB priključka odaberite UKLJUČIVANJE/ISKLJUČIVANJE funkcije punjenja uređaja putem USB priključka.



### Vanjske kontrole

Br.	Stavka	Opis
1	Gumb/indikator napajanja	Uključuje i isključuje monitor. Ako svijetli plavo, monitor je uključen. Ako svijetli narančasto, monitor je u stanju mirovanja ili štednje energije.
2	Tipke prečaca 1, 2	Pritisnite za aktivaciju funkcije tipke prečaca koju je definirao korisnik.
3	Gumb za izbor ulaza	Pritisnite za prebacivanje između izvora ulaznog signala.
4	Gumb za navigaciju / U redu	Pritisnite za aktivaciju zaslonskog izbornika, a zatim ga koristite kao tipke sa strelicama kako biste označili željenu funkciju. Ponovo pritisnite gumb kako biste otvorili odabranu stavku.



## Propisi i sigurnosne obavijesti

### Obavijest Američke savezne komisije za komunikacije (FCC)

Ovaj je uređaj testiran i utvrđeno je da je u skladu s ograničenjima za digitalne uređaje klase B prema pravilima navedenima u Poglavlju 15 Američke savezne komisije za komunikacije (FCC). Cilj ovih ograničenja je osiguravanje razumne zaštite od smetnji ako se uređaj koristi u kućanstvu. Ovaj uređaj stvara, koristi i emitira radiovalove i, ako nije postavljen i ako se ne koristi u skladu s uputama, može štetno utjecati na radiokomunikaciju.

Međutim, nema jamstva da do smetnji neće doći na bilo kojem mjestu postavljanja. Ako ovaj uređaj štetno utječe na prijem radijskog ili televizijskog signala, što možete potvrditi tako da ga isključite i ponovno uključite, preporučujemo vam da smetnje pokušate ukloniti na jedan ili više od ovih načina:

- Okrenite antenu u drugom smjeru ili je premjestite.
- Povećajte razmak između uređaja i prijamnika.
- Uređaj i prijamnik ukopčajte u različite izvore napajanja.
- Za pomoć se obratite prodavaču ili ovlaštenom radio-televizijskom tehničaru.

### Izjava o sukladnosti s oznakom CE

Tvrtka Acer Inc. ovime izjavljuje da je ovaj LCD monitor u skladu s osnovnim zahtjevima i drugim relevantnim odredbama Direktive 2014/30/EU o elektromagnetskoj kompatibilnosti, Direktivom 2014/35/EU o niskom naponu i Direktivom 2011/65/EU o ograničavanju upotrebe određenih opasnih tvari u električnoj i elektroničkoj opremi te Direktivom 2009/125/EK u odnosu na zahtjeve za ekološkim dizajnom proizvoda koji koriste energiju.

### Obavijest:

Kako bi se spriječilo oštećenje monitora ne podižite ga za stalak.

### Obavijest: Oklopljeni kabeli

Sve veze s drugim računalnim uređajima moraju biti izvedene upotrebom oklopljenih kabela i u skladu s odredbama o elektromagnetskoj kompatibilnosti.

### Obavijest: Periferni uređaji

S ovim uređajem smiju se povezati samo oni periferni uređaji (ulazni ili izlazni uređaji, stanice, pisači) koji imaju certifikat o sukladnosti s ograničenjima za uređaje klase B. Rad s perifernim uređajima bez tog certifikata vjerojatno će uzrokovati smetnje prilikom prijema radijskog ili televizijskog signala.

### Oprez

Zbog promjena ili modifikacija koje nije odobrio proizvođač korisnik može izgubiti pravo korištenja koje daje Američka savezna komisija za komunikacije (FCC).

### Radni uvjeti

Ovaj je uređaj u skladu s Poglavljem 15 pravila FCC-a. Na rad uređaja odnose se sljedeća dva uvjeta: (1) ovaj uređaj ne smije uzrokovati štetne smetnje, (2) ovaj uređaj mora prihvatiti sve primljene smetnje, uključujući i on zbog kojih možda neće ispravno raditi.

### Obavijest: Korisnici u Kanadi

Ovaj digitalni uređaj klase B u skladu je s kanadskom normom ICES-003.

### Remarque à l'intention des utilisateurs canadiens

Cet appareil numérique de la classe B est conforme à la norme NMB-003 du Canada.

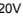
### Odlaganje otpadne opreme korisnika u kućanstvima u Europskoj Uniji



Ovaj simbol na proizvodu ili njegovoj ambalaži ukazuje da se proizvod ne smije odlagati zajedno s ostalim kućanskim otpadom. Umjesto toga, vaša je obaveza da otpadnu opremu odložite na za to posebno označenom mjestu za skupljanje električnog i elektroničkog otpada. Odvojeno prikupljanje otpadne opreme i njezino kasnije recikliranje pomaže očuvanju prirodnih resursa i osigurava da će biti reciklirana na način koji štiti ljudsko zdravlje i okoliš. Više informacija o tome gdje možete ostaviti svoju otpadnu opremu za recikliranje potražite u uredima lokalne uprave, komunalnom poduzeću ili trgovini u kojoj ste kupili proizvod.



# SPECIFIKACIJE

LCD ploča	Pogonski sustav	TFT LCD zaslon u boji	
	Veličina	35"W (88,9 cm)	
	Razmak piksela	0,24 mm (H) x 0,24 mm (V)	
	Svjetlina	Izvorno: 600 cd/m <sup>2</sup> ; HDR režim: 1000 cd/m <sup>2</sup> (najviše)	
	Kontrast	2500:1	
	Vidljivi kut	178° (H) 178° (V) (CR=10)	
	Vrijeme odziva	2 ms (GTG)	
	Vrsta ploče	VA	
	H-frekvencija	HDMI: 30 – 150 KHz DP: 88 – 282 KHz	
V-frekvencija	HDMI: 24 – 100 Hz DP: 24 – 180 Hz		
Boje zaslona	16,7 milijuna		
Frekvencija točke	HDMI 2.0: 543,5 MHz DP 1.4: 1017 MHz DP 1.4: 1056 MHz (funkcija ubrzanja DP-a = uključeno)		
Maksimalna rezolucija	HDMI: 3440 x 1440 pri 100 Hz DP: 3440 x 1440 pri 180 Hz DP: 3440 x 1440 pri 200 Hz (Režim češćeg osvježavanja samo za G-Sync)		
Trenutno pokretanje	VESA DDCCI/DDC2B		
Razred energetske učinkovitosti	D		
*Godišnja potrošnja energije	145 (kWh) (za modele s HDMI ulazom)		
Potrošnja energije (pri 200 nita)	Kada je uređaj uključen	64,1 W (tipično)	
	Način mirovanja	0,50 W (tipično)	
	Kada je uređaj isključen	0,50 W (tipično)	
Ulazni priključak	HDMI DP		
Ulazni videosignal	HDMI signal DP		
Zvučnici	4 W x 2		
USB	USB 3.0 x 3		
Maksimalna veličina zaslona	Vodoravno: 819,408 mm Okomito: 345,888 mm		
Izvor napajanja	20V  14A		
Uvjeti okruženja	Radni uvjeti – temperatura: 0 °C do 40 °C Skladišna temperatura: -20 °C do 60 °C Radni uvjeti – vlažnost: 20 % do 80 %		
Dimenzije	833 (Š) x 450,5 ~ 580,5 (V) x 309 (D) mm		
Težina (neto težina)	13,39 kg (neto)		
Specifikacije mehanizma	Nagib: -5 ° do +25 ° (nagib prema gore od 25 stupnjeva može se postići samo na najvišjoj točki) Zakretanje: -30° do +30° Visina prilagodavanja: 0 mm do 130 mm Okretanje: Ne Odvojivi podložni stalak: Da		
Vanjske kontrole	Prekidači/gumbi	Gumb napajanja Tipka prečaca 1 Tipka prečaca 2	Ulaz Navigacijska tipka 5
	Funkcije	Svjetlina Kontrast Plavo svjetlo Dark Boost Odziv pozadinskog svjetla SDR Variable Backlight Automatska svjetlina Automatska razina crnog Relativna gama SDR Colors sRGB DP YCbCr sRGB HDMI YCbCr sRGB Temperatura boje Glasnoća Pojačani pogon Ubrzanje	Nišan Jezik Istek zaslonskog izbornika Prozirnost Brzina osvježavanja slike Zaključavanje OSD-a Ulaz Okolna rasvjeta Određivanje tipki prečaca Široki način rada Potpuno mirovanje Način rada za brzo pokretanje Punjenje USB-a pri isključenom napajanju Informacije o zaslonu Ponovno postavljanje svih postavki Izlaz
Sve specifikacije mogu se promijeniti bez prethodne obavijesti.			

Priružnici i druge dokumente o svom proizvodu tvrtke Acer potražiti na službenom web-mjestu za podršku tvrtke Acer.

\*Godišnja potrošnja energije izračunata je na temelju tipične potrošnje struje za 4 sata rada dnevno, 365 dana u godini.

# Osnovna navodila za uporabo (QSG) monitorja LCD Acer

## Pomembna varnostna navodila

Pozorno preberite ta navodila.

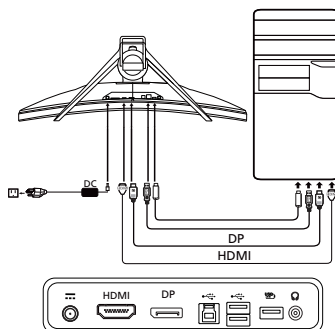
- Čiščenje zaslona monitorja LCD: Prepričajte se, da ima monitor ustrezne električne lastnosti za uporabo z napajanjem, ki je na voljo na vaši lokaciji.
  - Izklopite monitor LCD in odklopite napajalni kabel.
  - Netopljivo čistilno raztopino razpršite na krpo in nežno očistite zaslon.
  - NOBENE TEKOČINE NE RAZPRŠITE ALI ZLIJTE NEPOSREDNO NA ZASLON ALI OHIŠJE.**
  - NA ZASLONU LCD ALI OHIŠJU NE UPORABLJAJTE ČISTIL NA OSNOVI AMONIAKA ALI ALKOHOLA.**
  - Acer ne odgovarja za škodo, ki je posledica uporabe kakršnega koli čistila na osnovi amoniaka ali alkohola.
- Monitorja LCD ne postavljajte blizu okna. Če ga izpostavite dežju, vlagi ali sončni svetlobi, ga lahko močno poškodujete.
- Ne pritisčajte na zaslon LCD. S premočnim pritiskom lahko zaslon trajno poškodujete.
- Ne odstranjujte pokrova ali poskušajte monitorja popravljati sami. Vsa popravila mora izvesti pooblaščen serveriser.
- Monitor LCD shranjujte v prostoru s temperaturo od -20 do 60 °C (od -4 do 140 °F). Če monitor shranite na temperaturi izven tega obsega, ga lahko trajno poškodujete.
- V spodaj opisanih primerih takoj odklopite monitor in pokličite pooblaščenega serverisera:
  - Kabel za povezavo monitorja in računalnika je obrabljen ali poškodovan.
  - Na monitor LCD se je polila tekočina ali je bil izpostavljen dežju.
  - Monitor LCD ali njegovo ohišje je poškodovano.

## Pritrditev monitorja na stojalo

- Podnožje monitorja odstranite iz embalaže in ga postavite na stabilno in ravno delovno površino.
- Monitor vzemite iz embalaže.
- Pritrdite stojalo monitorja na podnožje.
  - Prepričajte se, da je podnožje varno pritrjeno na stojalo. (pri nekaterih modelih)
  - Pritrdite podnožje na stojalo monitorja tako, da vijak privijete s ploščatim jezičkom ali primernim kovancem. (pri nekaterih modelih)

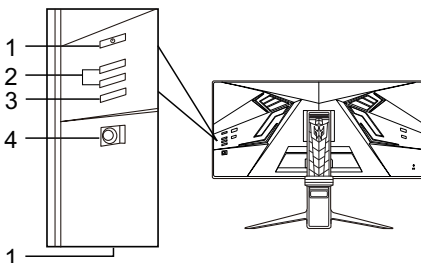
## Povezava monitorja z računalnikom

- Izklopite monitor in odklopite napajalni kabel računalnika.
- 2-1 Povezava s kablom HDMI
  - Prepričajte se, da sta monitor in računalnik izklopljena.
  - Kabel HDMI priključite v računalnik. Ko uporabljate HDMI, lahko izvorna V/I vrata sprožite tako, da pritisnete kateri koli gumb, razen gumba za vklop/izklop.
- 2-2 Povezava s kablom DP (privzeti vhod)
  - Prepričajte se, da sta monitor in računalnik izklopljena.
  - Kabel DP priključite v računalnik.
- Napajalni kabel monitorja vstavite v napajalna vrata na zadnji strani monitorja.
- Napajalna kabela računalnika in monitorja priključite v bližnjo električno vtičnico.
- Če želite omogočiti ali onemogočiti polnjenje prek USB-ja pri izklopljeni napravi, **VKLOPITE** ali **IZKLOPITE** to možnost.



## Zunanji kontrolniki

Št.	Element	Opis
1	Gumb/indikator za vklop/izklop	Vklop/izklop monitorja. Modra barva označuje, da je monitor vklopljen. Oranžna označuje, da je monitor v načinu pripravljenosti/varčevanja z energijo.
2	Bližnjični tipki 1 in 2	Pritisnite za aktivacijo funkcije bližnjične tipke, ki jo je določil uporabnik.
3	Vhodni gumb	Pritisnite za preklop vhodnih virov.
4	Gumb za krmarjenje/ V redu	Pritisnite ga za aktivacijo menija prikaza na zaslonu, nato pa ga uporabite kot smerne tipke, da označite zeleno funkcijo. Izbrivo vnesete tako, da ga pritisnete še enkrat.



## Predpisi in varnostna obvestila

### Obvestilo organizacije FCC

Naprava je bila preizkušena in izpolnjuje pogoje, določene za digitalne naprave razreda B v skladu s 15. členom pravilnika FCC. Mejne vrednosti so postavljene, da bi uporabnike zaščitile pred škodljivimi motnjami v stanovanjskih napeljavah. Naprava ustvarja, uporablja in lahko oddaja radiofrekvenčno energijo. Če jo namestite in uporabljate v nasprotju s temi navodili, lahko povzroča škodljive motnje v radijski komunikaciji.

Kljub temu ne zagotavljamo, da pod določenimi pogoji do teh frekvenc ne bi prišlo. Če naprava povzroča škodljive motnje v radijskem ali televizijskem sprejmar, kar lahko ugotovite tako, da jo vklopite in izklopite, uporabnikom svetujemo, naj motnje poskušajo odpraviti na naslednje načine:

- Preusmerite ali prestavite sprejemno anteno.
- Povečajte razdaljo med napravo in sprejemnikom.
- Priklopite napravo na vtičnico v drugem krogotoku kot sprejemnik.
- Za pomoč se obrnite na zastopnika ali izkušenega radijskega/televizijskega serviserja.

### Izjava o skladnosti CE

S tem družba Acer Inc. izjavlja, da je ta monitor LCD v skladu z bistvenimi zahtevami in drugimi ustreznimi določili direktive o elektromagnetni združljivosti 2014/30/EU, direktive o nizki napetosti 2014/35/EU, direktive RoHS 2011/65/EU in direktive 2009/125/ES glede vzpostavljanja okvira za določanje zahtev okolju prijazne zasnove energetskih izdelkov.

### Obvestilo:

Da ne bi poškodovali monitorja, ga ne dvigujte tako, da ga držite za podnožje.

### Obvestilo: Oklopljeni kabli

Za zagotavljanje skladnosti s predpisi o elektromagnetni združljivosti, morajo biti vse povezave z drugimi računalniškimi napravami vzpostavljene z oklopljenimi kabli.

### Obvestilo: Zunanje naprave

Na opremo lahko priklopite le zunanje naprave (vhodne/izhodne naprave, terminale, tiskalnike in tako naprej), ki ustrezajo omejitvam razreda B. Uporaba zunanje opreme, ki tem pogojem ne ustreza, lahko povzroči motnje radijskega in televizijskega sprejema.

### Pozor

Spremembe, ki jih ni izrecno odobril proizvajalec, lahko uporabniku odvzamejo pooblastilo za uporabo izdelka, ki jo dodeljuje Federal Communications Commission.

### Pogoji delovanja

Ta naprava je skladna z določili 15. člena pravilnika FCC. Uporaba je dovoljena pod naslednjima pogoje: (1) naprava ne sme povzročati škodljivih motenj in (2) naprava mora sprejeti vse motnje, vključno z motnjami, ki bi lahko povzročile neželeno delovanje.

### Obvestilo: Kanadski uporabniki

Ta digitalna naprava razreda B je v skladu s kanadskim predpisom ICES-003.

### Remarque à l'intention des utilisateurs canadiens


Cet appareil numérique de la classe B est conforme à la norme NMB-003 du Canada.

### Odlaganje odpadne opreme uporabnikov v zasebnih gospodinjstvih v Evropski uniji



Ta simbol na izdelku ali njegovi embalaži navaja, da izdelka ne smete zavreči z drugimi gospodinjstvi odpadki. Namesto tega je vaša odgovornost, da odpadno opremo zavržete tako, da jo predate na določenih zbirnih mestih za recikliranje odpadne električne in elektronske opreme. Z ločenim zbiranjem in recikliranjem odpadne opreme ob odlaganju boste pomagali pri ohranjanju naravnih virov in zagotavljanju, da bo reciklirana tako, da bosta zaščitena zdravje ljudi in okolje. Za več informacij o tem, kje lahko odložite odpadno opremo za recikliranje, pokličite občinski urad, podjetje za odvažanje gospodinjstvih odpadkov ali trgovino, kjer ste kupili izdelek.

## SPECIFIKACIJE

Zaslon LCD	Upravljalni sistem	Barvni TFT LCD	
	Velikost	35" W (88,9 cm)	
	Razdalja med pikami	0,24 mm (V) x 0,24 mm (N)	
	Svetlost	Izvinoma: 600 cd/m <sup>2</sup> ; način HDR: 1000 cd/m <sup>2</sup> (najvišja)	
	Kontrast	2500 : 1	
	Vidni kot	178° (V) 178° (N) (CR=10)	
	Odzivni čas	2 ms (GTG)	
	Vrsta zaslona	VA	
	Vodoravna frekvenca	HDMI: 30–150 KHz DP: 88–282 KHz	
	Navpična frekvenca	HDMI: 24–100 Hz DP: 24–180 Hz	
Prikazane barve		16,7 milijona	
Frekvenca slikovnih pik		HDMI 2.0: 543,5 MHz DP 1.4: 1017 MHz DP 1.4: 1056 MHz (funkcija prekoračenja DP = VKLOPLJENO)	
Največja ločljivost		HDMI: 3440 x 1440 @ 100 Hz DP: 3440 x 1440 @ 180 Hz DP: 3440 x 1440 @ 200 Hz (Način spremenjene frekvence samo G-Sync)	
Plug & Play		VESA DDCCI/DDC2B	
Razred energetske učinkovitosti		D	
*Letna poraba energije		145 (kWh) (za model z vhodom HDMI)	
Poraba energije (pri 200 nith)	Vklopljen	64,1 W (običajno)	
	Način mirovanja	0,50 W (običajno)	
	Izklopljen	0,50 W (običajno)	
Vhodni priključki		HDMI DP	
Vhodni videosignal		Signal HDMI DP	
Zvočnika		4 W x 2	
USB		USB 3.0 x 3	
Največja velikost zaslona		Vodoravna: 819,408 mm Navpična: 345,888 mm	
Vir napajanja		20V  14A	
Okoljski pogoji		Delovna temperatura: 0–40 °C Temperatura za shranjevanje: -20–60 °C Delovna vlažnost: 20–80 %	
Mere		833 (Š) x 450,5 ~ 580,5 (V) x 309 (G) mm	
Teža (neto)		13,39 kg (neto)	
Specifikacije mehanizma		Nagib: Od -5 do +25° (25-stopinjski kot nagiba je mogoče le na najvišji točki) Sukanje: Od -30 do +30° Nastavitev višine: 0–130 mm Vrtenje: Ne Snemljivo podnožje: Da	
Zunanji kontrolniki	Stikalo/tipke	Gumb za vklop/izklop Bližnjična tipka 1 Bližnjična tipka 2	Vhod Gumb za krmarenje in potrjevanje
	Funkcije	Svetlost Kontrast Modra lučka Dark Boost Odziv osvetlitve ozadja SDR Variable Backlight Samodejna svetlost Samodejna raven črne Relativni gamma SDR Colors sRGB DP YCbCr sRGB HDMI YCbCr sRGB Barvna temperatura Glasnost Prekomeren pogon Prekoračenje	Točka ciljanja Jezik Časovna omejitev prikaza na zaslonu Prosojnost Hitrost osveževanja Zaklepanje OSD Vhod Osvetlitev okolja Dodelitev bližnjičnih tipk Široki način Globoko spanje Način hitrega zagona Polnjenje prek USB-ja med stanjem izklopa Informacije o zaslonu Ponastavi vse nastavitve Izhod
Vse specifikacije se lahko spremenijo brez predhodnega obvestila.			

Priročnike in druge dokumente o vašem Acerjevem izdelku si lahko ogledate na uradni Acerjevi strani za podporo.

\*Letna poraba energije se izračuna s pomočjo običajne porabe energije pri uporabi 4 ure na dan in 365 dni na leto.

# คู่มือการตั้งค่ามอนิเตอร์ LCD ของ Acer จมับยอ (QSG)

## คำแนะนำด้านความปลอดภัยที่สำคัญ

โปรดอ่านคำแนะนำต่อไปนี้อย่างละเอียด

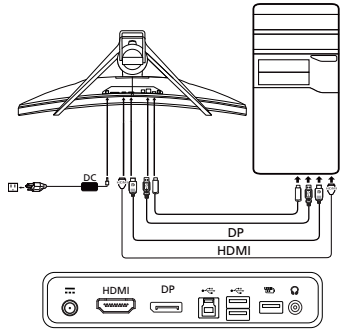
- การทำความสะอาดมอนิเตอร์ LCD: ให้แน่ใจว่ามอนิเตอร์ของคุณได้รับการกระดืบทางไฟฟ้าให้ใช้งานได้กับกำลังไฟแบบ AC ที่ใช้ในพื้นที่ของคุณ
  - ปิดมอนิเตอร์ LCD และถอดสายไฟออก
  - ฉีดสเปรย์น้ำยาทำความสะอาดที่ไม่มีตัวทำละลายลงบนผ้าและทำความสะอาดมอนิเตอร์เบาๆ
  - ห้ามฉีดสเปรย์หรือเทรดของเหลวใดๆ ลงบนหน้าจอหรือฝาปิดโดยตรง
  - ห้ามใช้น้ำยาทำความสะอาดที่มีส่วนผสมของแอมโมเนียหรือแอลกอฮอล์ทำความสะอาดหน้าจอแสดงผล LCD หรือฝาปิด
  - Acer จะไม่รับผิดชอบต่อความเสียหายที่เกิดจากการใช้น้ำยาทำความสะอาดที่มีส่วนผสมของแอมโมเนียหรือแอลกอฮอล์
- อย่าวางมอนิเตอร์ LCD ไว้ใกล้กับหน้าต่าง ผ่น ความชื้น หรือแสงแดดอาจทำให้มอนิเตอร์เกิดความเสียหายร้ายแรงได้
- อย่าใช้แรงกดกับหน้าจอ LCD แรงกดที่มากเกินไปอาจทำให้หน้าจอเกิดความเสียหายโดยการบิด
- อย่าถอดฝาครอบหรือพยายามซ่อมแซมยูนิตนี้ด้วยตัวเอง ควรให้ช่างเทคนิคที่ได้รับอนุญาตทำการซ่อมแซมในทุกรกรณี
- เก็บมอนิเตอร์ LCD ไว้ในห้องที่มีอุณหภูมิที่ -20° ถึง 60° C (-4° ถึง 140° F) การจัดเก็บมอนิเตอร์ LCD ภายนอกช่วงดังกล่าวอาจทำให้เกิดความเสียหายโดยการบิด
- ควรถอดปลั๊กมอนิเตอร์ออกทันทีและติดต่อช่างเทคนิคที่ได้รับอนุญาตหากมีกรณีใดๆ ต่อไปนี้เกิดขึ้น:
  - สายสัญญาณจากมอนิเตอร์ไปยังพีซีหลุดลุ่ยหรือได้รับความเสียหาย
  - ของเหลวหกลงบนมอนิเตอร์ LCD หรือมอนิเตอร์ถูกน้ำฝน
  - มอนิเตอร์ LCD หรือฝาปิดได้รับความเสียหาย

## ติดตั้งมอนิเตอร์เข้ากับฐานวาง

- ถอดฐานมอนิเตอร์จากแพ็คเกจ แล้ววางไว้บนพื้นที่ที่เสถียรและได้ระดับ
- เอามอนิเตอร์ออกจากบรรจุภัณฑ์
- ติดตั้งขาตั้งมอนิเตอร์เข้ากับฐานวาง
  - ตรวจสอบให้แน่ใจว่าฐานวางลงล็อกกับขาตั้ง (สำหรับบางรุ่น)
  - ยึดฐานวางเข้ากับขาตั้งมอนิเตอร์ด้วยการหมุนสกรูโดยใช้สลักที่มีให้หรือใช้เหรียญที่มีขนาดพอเหมาะ (สำหรับบางรุ่น)

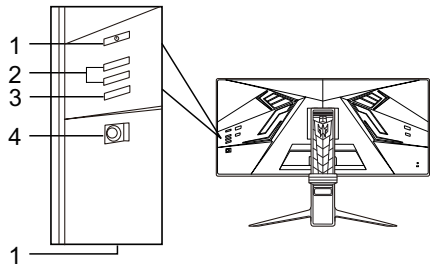
## การเชื่อมต่อมอนิเตอร์กับคอมพิวเตอร์

- ปิดมอนิเตอร์ของคุณและถอดสายไฟของคอมพิวเตอร์
- 2-1 เชื่อมต่อสาย HDMI
  - ตรวจสอบให้แน่ใจว่าทั้งมอนิเตอร์และคอมพิวเตอร์ปิดอยู่
  - เชื่อมต่อสาย HDMI เข้ากับคอมพิวเตอร์
 เมื่อใช้ HDMI คุณสามารถกดปุ่มได้ก็โดยกเว้นปุ่มเปิด/ปิดเครื่อง เพื่อเปิดหรือปิดแหล่งพอร์ต I/O
- 2-2 เชื่อมต่อสาย DP (อินพุตเริ่มต้น)
  - ตรวจสอบให้แน่ใจว่าทั้งมอนิเตอร์และคอมพิวเตอร์ปิดอยู่
  - เชื่อมต่อสาย DP เข้ากับคอมพิวเตอร์
- เสียบสายมอนิเตอร์เข้ากับพอร์ตจ่ายไฟที่อยู่ด้านหลังของมอนิเตอร์
- เสียบปลั๊กสายไฟของคอมพิวเตอร์และมอนิเตอร์เข้ากับเต้าเสียบปลั๊กไฟที่อยู่ในบริเวณใกล้เคียง
- เลือกเปิด/ปิดชาร์จด้วย USB ขณะปิดเครื่องเพื่อเปิด/ปิดใช้งานฟังก์ชันชาร์จด้วย USB ขณะปิดเครื่อง



## การควบคุมภายนอก

หมายเลข	รายการ	คำอธิบาย
1	ปุ่มเปิด-ปิดเครื่อง/ไฟแสดงสถานะ	เปิด/ปิดมอนิเตอร์ สิ้นอายุหมายถึงเปิดอยู่ สีเหลืองหมายถึงสถานะดับยา/โหมดประหยัดพลังงาน
2	ปุ่มลัด 1, 2	กดเพื่อเปิดใช้งานฟังก์ชันปุ่มลัดที่กำหนดโดยผู้ใช้
3	ปุ่มอินพุต	กดเพื่อสลับระหว่างแหล่งอินพุต
4	ปุ่มนำทาง/ดกลอง	กดเพื่อเปิดใช้งานเมนู OSD แล้วใช้เป็นปุ่มนำทางเพื่อเน้นฟังก์ชันที่ต้องการ กดอีกครั้งเพื่อป้องกันการเลือก



## ข้อบังคับและประกาศความปลอดภัย

### ประกาศ FCC

อุปกรณ์นี้ได้รับการทดสอบและเป็นไปตามขีดจำกัดสำหรับอุปกรณ์ดิจิตอล Class B ตาม Part 15 ของกฎ FCC ข้อจำกัดเหล่านี้ได้รับการออกแบบมาเพื่อให้การป้องกันที่เหมาะสมจากสัญญาณรบกวนที่เป็นอันตรายในการติดตั้ง ภายในที่พักอาศัย อุปกรณ์นี้สร้าง ใช้ และสามารถแผ่คลื่นความถี่วิทยุและหากไม่ติดตั้งและใช้งานตามคำแนะนำอาจทำให้เกิดสัญญาณรบกวนที่เป็นอันตรายต่อการสื่อสารด้วยคลื่นวิทยุ อย่างไรก็ตาม ไม่มีการรับประกันว่าสัญญาณรบกวนจะไม่เกิดขึ้นในการติดตั้งแบบใดแบบหนึ่ง หากอุปกรณ์นี้ทำให้เกิดสัญญาณรบกวนที่เป็นอันตรายต่อการรับสัญญาณวิทยุหรือโทรทัศน์ ซึ่งสามารถตรวจสอบได้โดยการปิดและเปิดอุปกรณ์ ผู้ใช้ที่ควรพยายามแก้ไขปัญหารบกวนโดยการดำเนินการตามมาตรการต่อไปนี้อย่างน้อยหนึ่งข้อ:

- ปรับทิศทางหรือเปลี่ยนที่ตั้งเสาอากาศรับสัญญาณ
- เพิ่มระยะห่างระหว่างอุปกรณ์และตัวรับสัญญาณ
- เชื่อมต่ออุปกรณ์เข้ากับเต้ารับบนวงจรไฟฟ้าอื่นนอกจากรับสัญญาณที่เชื่อมต่อไว้
- ปรึกษากับตัวแทนจำหน่ายหรือช่างเทคนิคผู้เชี่ยวชาญด้านวิทยุ/โทรทัศน์เพื่อขอความช่วยเหลือ

### คำแถลงเกี่ยวกับความสอดคล้องของ CE

Acer Inc., ขอประกาศในที่นี้ว่าคอมพิวเตอร์ LCD นั้นปฏิบัติตามข้อกำหนดสำคัญและบทบัญญัติอื่นๆ ที่เกี่ยวข้องของ EMC Directive 2014/30/EU, Low Voltage Directive 2014/35/EU และ RoHS Directive 2011/65/EU และ Directive 2009/125/EC โดยคำนึงถึงการกำหนดกรอบสำหรับการตั้งข้อกำหนดการออกแบบเพื่อสิ่งแวดล้อมสำหรับผลิตภัณฑ์ที่เกี่ยวข้องกับพลังงาน

### ข้อสังเกต:

เพื่อป้องกันความเสียหายที่อาจเกิดกับคอมพิวเตอร์ ห้ามยกคอมพิวเตอร์โดยจับที่ฐาน

### ข้อสังเกต: สายหุ้มฉนวน

การเชื่อมต่อไปยังอุปกรณ์คอมพิวเตอร์อื่นๆ ทั้งหมดต้องทำโดยใช้สายหุ้มฉนวนเพื่อรักษาการปฏิบัติตามกฎระเบียบของ EMC

### ข้อสังเกต: อุปกรณ์ต่อพ่วง

เฉพาะอุปกรณ์ต่อพ่วง (อุปกรณ์อินพุต/เอาต์พุต เทอร์มินัล เครื่องพิมพ์ ฯลฯ) ที่ได้รับการรับรองว่าปฏิบัติตามข้อกำหนด Class B เท่านั้น ที่สามารถเชื่อมต่อเข้ากับอุปกรณ์นี้ การใช้งานกับอุปกรณ์ต่อพ่วงไม่ได้รับการรับรองว่าจะส่งผลให้เกิดการรบกวนการรับสัญญาณวิทยุและโทรทัศน์

### ข้อควรระวัง

การเปลี่ยนแปลงหรือแก้ไขที่ไม่ได้รับการอนุมัติโดยซัดเจนจากผู้ผลิตอาจทำให้สิทธิ์ของผู้ใช้ซึ่งได้รับจาก Federal Communications Commission ในการใช้งาน ผลิตภัณฑ์นี้เป็นโมฆะได้

### เงื่อนไขการใช้งาน

อุปกรณ์นี้เป็นไปตาม Part 15 ของกฎ FCC การใช้งานต้องอยู่ภายใต้เงื่อนไขสองข้อต่อไปนี้: (1) อุปกรณ์นี้อาจก่อให้เกิดสัญญาณรบกวนที่เป็นอันตรายและ (2) อุปกรณ์นี้ต้องยอมรับสัญญาณรบกวนทั้งหมดที่ได้รับ รวมถึงสัญญาณรบกวนที่อาจก่อให้เกิดการทำงานที่ไม่พึงประสงค์

### ข้อสังเกต: ผู้ใช้ของประเทศแคนาดา

อุปกรณ์ดิจิตอล Class B นี้เป็นไปตาม Canadian ICES-003

### Remarque à l'intention des utilisateurs canadiens

Cet appareil numérique de la classe B est conforme à la norme NMB-003 du Canada.

### การกำจัดขยะจากอุปกรณ์โดยผู้ใช้ในแบบส่วนตัวในครัวเรือนภายในสหภาพยุโรป



สัญลักษณ์นี้ที่อยู่บนผลิตภัณฑ์นี้หรือบนบรรจุภัณฑ์เป็นการระบุว่าผลิตภัณฑ์นี้จะต้องไม่ถูกกำจัดรวมกับขยะในครัวเรือนอื่นๆ ของคุณ โดยจะเป็นความรับผิดชอบของคุณในการกำจัดขยะจากอุปกรณ์โดยทิ้งมอบให้จุดเก็บรวบรวมที่กำหนดไว้สำหรับการรีไซเคิลขยะจากอุปกรณ์อิเล็กทรอนิกส์และเครื่องใช้ไฟฟ้าโดยเฉพาะ การเก็บแยกและรีไซเคิลขยะจากอุปกรณ์ในเวลาที่จะกำจัดจะช่วยให้คุณรีไซเคิลทรัพยากรธรรมชาติและทำให้แน่ใจได้ว่าจะได้รับการรีไซเคิลด้วยวิธีที่ช่วยปกป้องสุขภาพของมนุษย์และสิ่งแวดล้อม สำหรับข้อมูลเพิ่มเติมเกี่ยวกับสถานที่ที่คุณสามารถส่งมอบขยะจากอุปกรณ์ของคุณสำหรับการรีไซเคิล โปรดติดต่อสำนักงานเขต (ที่ว่าการอำเภอ) ในท้องถิ่นของคุณ เทศบาลกำจัดขยะในครัวเรือน หรือร้านค้าที่คุณซื้อผลิตภัณฑ์



## ข้อมูลจำเพาะ

จอ LCD	ระบบขับเคลื่อน	TFT Color LCD	
	ขนาด	35"W (88.9 ซม.)	
	ระยะห่างระหว่างพิกเซล	0.24 มม. (แนวนอน) x 0.24 มม. (แนวตั้ง)	
	ความสว่าง	เนทีฟ: 600 cd/m <sup>2</sup> ; โหมด HDR: 1000 cd/m <sup>2</sup> (สูงสุด)	
	ความเปรียบต่าง	2500:1	
	มุมทวิรับชมได้	178° (แนวนอน) 178° (แนวตั้ง) (CR=10)	
	เวลาตอบสนอง	2 ms (GTG)	
	ชนิดของจอ	VA	
	H-Frequency	HDMI: 30-150 KHz DP: 88-282 KHz	
V-Frequency	HDMI: 24-100 Hz DP: 24-180 Hz		
สีของจอ	16.7 ล้าน		
Dot Clock	HDMI 2.0: 543.5 MHz DP 1.4: 1017 MHz DP 1.4: 1056 MHz (DP-ฟังก์ชันโอเวอร์คิล็อก = เปิด)		
ความละเอียดสูงสุด	HDMI: 3440 x 1440 @ 100 Hz DP: 3440 x 1440 @ 180 Hz DP: 3440 x 1440 @ 200 Hz (โหมดโอเวอร์คิล็อกสำหรับ G-Sync เท่านั้น)		
Plug & Play	VESA DDC/CI/DDC2B		
ระดับการประหยัดพลังงาน	D		
*การใช้พลังงานต่อปี	145 (kWh) (สำหรับรับอินพุต HDMI)		
การใช้พลังงาน (ที่ 200 nits)	โหมดเปิด	64.1 W (ทั่วไป)	
	โหมดสลีป	0.50 W (ทั่วไป)	
	โหมดปิด	0.50 W (ทั่วไป)	
ขั้วต่ออินพุต	HDMI DP		
สัญญาณวิดีโออินพุต	สัญญาณ HDMI DP		
ลำโพง	4 W x 2		
USB	USB 3.0 x 3		
ขนาดหน้าจอลงสุด	แนวนอน: 819.408 มม. แนวตั้ง: 345.888 มม.		
แหล่งจ่ายพลังงาน	20V — 14A		
ข้อควรคำนึงด้านสิ่งแวดล้อม	อุณหภูมิในการทำงาน: 0° ถึง 40°C อุณหภูมิในการจัดเก็บ: -20° ถึง 60°C ความชื้นในการทำงาน: 20% ถึง 80%		
ขนาด	833 (กว้าง) x 450.5 ~ 580.5 (สูง) x 309 (ลึก) มม.		
น้ำหนัก (N. W.)	13.39 กก. (สุทธิ)		
ข้อมูลจำเพาะของกลไก	กัมมะ: -5° ถึง +25° (เฉพาะที่จุดสูงสุด สามารถเอียงได้ 25 องศาสำหรับมแนย) การหมุน: -30° ถึง +30° การรับความสูง: 0 มม. ถึง 130 มม. การปรับตั้ง/นอน: ไม่มี ขาตั้งแบบถอดออกได้: มี		
การควบคุมภายนอก	สวิตช์/ปุ่ม	ปุ่มเปิด/ปิดเครื่อง ปุ่มตัด 1 ปุ่มตัด 2	เมนู/เลื่อน 5 ปุ่มนำทาง
	ฟังก์ชันการทำงาน	ความสว่าง ความเปรียบต่าง ไฟสีฟ้า Dark Boost การควบคุมของแบ็คไลท์ SDR Variable Backlight การสร้างสีใหม่ ระดับสีตัดอัตโนมัติ แกมมาที่เกี่ยวข้อง SDR Colors sRGB DP YCbCr sRGB HDMI YCbCr sRGB อุณหภูมิสี ระดับเสียง โอเวอร์ไดรฟ์ โอเวอร์คิล็อก	จุดยิง ภาษา การหมดระยะเวลา OSD ความโปร่งแสง อัตรารีเฟรช สล็อก OSD อินพุต ไฟแบรกายด์โดยรอบ การกำหนด Hot Key โหมดกว้าง โหมดสลีป โหมดเริ่มใช้งานอย่างรวดเร็ว พอร์ตเครื่องชาร์จ USB ข้อมูลหน้าจอ วีซีทีการตั้งค่าทั้งหมด ออก
ข้อมูลจำเพาะทั้งหมดอาจมีการเปลี่ยนแปลงโดยไม่จำเป็นต้องแจ้งให้ทราบ			

ค้นหาเอกสารอื่นๆ และคู่มือสำหรับผลิตภัณฑ์ Acer ของคุณบนเว็บไซต์การสนับสนุนอย่างเป็นทางการของ Acer

\*การใช้พลังงานต่อปีจะคำนวณโดยใช้ตามแบบอย่างการใช้พลังงาน 4 ชั่วโมงต่อวัน 365 วันต่อปี

# Vodič za brzo pokretanje Acer LCD monitora (QSG)

## Važna bezbednosna uputstva

Pažljivo pročitajte sledeća uputstva.

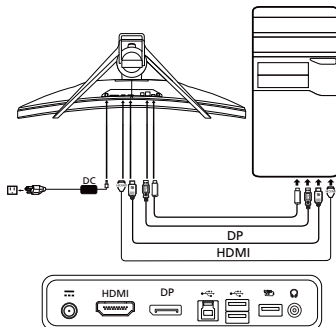
- Da biste očistili ekran LCD monitora: Proverite da li električne specifikacije monitora odgovaraju napajanju naizmeničnom strujom u vašoj oblasti.
  - Isključite LCD monitor i izvucite kabl za napajanje iz utičnice.
  - Krpu napršak sredstvom za čišćenje koje nije na bazi rastvarača, pa pažljivo obrišite ekran.
  - NIKADA NEMOJTE PRSKATI NITI SIPATI BILO KAKVU TEČNOST DIREKTNO NA EKRAN ILI KUĆIŠTE.**
  - NEMOJTE KORISTITI SREDSTVA ZA ČIŠĆENJE NA BAZI AMONIJAKA ILI ALKOHOLA NA LCD EKRANU ZA PRIKAZ ILI KUĆIŠTU.**
  - Kompanija Acer neće biti odgovorna za oštećenja nastala korišćenjem sredstava za čišćenje na bazi amonijaka ili alkohola.
- Ne stavljajte LCD monitor pored prozora. Izlaganje kiši, vlazi i sunčevoj svetlosti može da dovede do ozbiljnog oštećenja monitora.
- Ne pritisćajte LCD ekran. Prejak pritisak može trajno oštetiti ekran.
- Ne uklanjajte poklopac i ne pokušavajte da sami servisirate uređaj. Bilo koju vrstu servisiranja mora da obavlja ovlašćeni tehničar.
- LCD monitor skladištite u prostoriji sa temperaturom od -20° do 60° C (-4° do 140° F). Skladištenje LCD monitora na temperaturama van ovog opsega može dovesti do trajnog oštećenja.
- Smesta isključite monitor iz struje i pozovite ovlašćenog tehničara u sledećim okolnostima:
  - Signalni kabl između monitora i računara je raspletan ili oštećen.
  - Tečnost se prosula na LCD monitor ili je monitor bio izložen kiši.
  - LCD monitor ili njegovo kućište su oštećeni.

## Pričvršćivanje monitora na osnovu

- Izvadite osnovu monitora iz pakovanja i stavite je na stabilnu i ravnu radnu površinu.
- Izvadite monitor iz pakovanja.
- Pričvrstite dršku postolja monitora na osnovu.
  - Proverite da li je osnova zaključana za dršku postolja monitora. (kod određenih modela)
  - Pričvrstite osnovu za dršku postolja monitora okretanjem zavrtnja pomoću ravne alatke ili prikladnog novčića. (kod određenih modela)

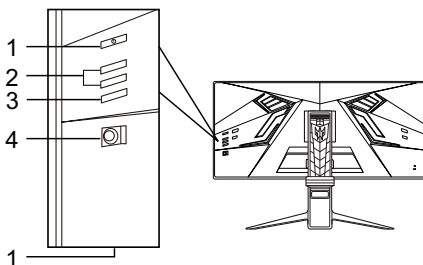
## Povezivanje monitora sa računarom

- Isključite monitor i izvucite kabl za napajanje računara iz utičnice.
- 2-1 Povezivanje HDMI kablom
  - Vodite računa da i monitor i računar budu ISKLJUČENI.
  - Priključite HDMI kabl u računar.
 Kada se koristi HDMI, za aktiviranje izvora ulaznog/izlaznog priključka možete pritisnuti bilo koje dugme osim dugmeta za uključivanje/isključivanje.
- 2-2 Povezivanje DP kablom (podrazumevani ulaz)
  - Vodite računa da i monitor i računar budu ISKLJUČENI.
  - Priključite DP kabl u računar.
- Priključite kabl za napajanje monitora u priključak za napajanje sa zadnje strane monitora.
- Uključite kablove za napajanje računara i monitora u obilžnu električnu utičnicu.
- Uključite/isključite opciju USB punjenje dok je uređaj isključen da biste omogućili/onemogućili USB punjenje dok je uređaj isključen.



## Spoljne komande

Br.	Stavka	Opis
1	Dugme za uključivanje/isključivanje / indikator	Uključivanje/isključivanje monitora. Plava boja označava da je monitor uključen. Žuta boja označava da je monitor u stanju pripravnosti/režimu za uštedu energije.
2	Tasteri prečice 1, 2	Pritisnite kako biste aktivirali funkciju tastera prečice koju je definisao korisnik.
3	Dugme za ulaz	Pritisnite da biste prešli na izvore za ulaz.
4	Dugme za navigaciju / U redu	Pritisnite kako biste aktivirali meni ekrana, a zatim ga koristite kao taster sa strelicama za označavanje željene funkcije. Pritisnite dugme ponovo kako biste otvorili izabranu stavku.



# Zakonski propisi i bezbednosna obaveštenja

## Obaveštenje FCC

Testiranjem je utvrđeno da je ovaj uređaj usklađen sa ograničenjima digitalnog uređaja klase B u skladu sa delom 15 pravila FCC.

Ova ograničenja predviđena su kao razumna zaštita od štetnih smetnji prilikom instalacije u stambenim objektima. Ovaj uređaj stvara, koristi i emituje radiofrekventnu energiju i, ako se ne instalira i koristi u skladu sa uputstvima, može dovesti do štetnih smetnji u prenosu radio-signala.

Međutim, nije moguće garantovati da neće doći do smetnji u određenoj instalaciji. Ako ovaj uređaj dovede do smetnji u prijemu radio ili TV signala, što se može utvrditi isključivanjem i uključivanjem uređaja, preporučujemo da pokušate da otklonite smetnje na neki od sledećih načina:

- Okrenite ili premestite prijemnu antenu.
- Udaljite uređaj od prijemnika.
- Povežite uređaj u utičnicu koja se nalazi na različitom strujnom kolu od onog na koje je povezan prijemnik.
- Zatražite pomoć od distributera ili iskusnog radio/TV tehničara.

## CE izjava o usklađenosti

Kompanija Acer ovime izjavljuje da je ovaj LCD monitor usklađen sa osnovnim zahtevima i drugim relevantnim odredbama Direktive o elektromagnetnoj kompatibilnosti 2014/30/EU, Direktive o niskom naponu 2014/35/EU, Direktive RoHS 2011/65/EU i Direktive 2009/125/EC u pogledu uspostavljanja okvira za definisanje zahteva o eko-dizajnu za proizvode koji koriste električnu energiju.

### Napomena:

Da bi se sprečilo oštećenje monitora, nemojte podizati monitor sa njegovog postolja.

### Napomena: Oklopljeni kablovi

Za povezivanje sa drugim računarima potrebno je koristiti oklopljene kablove kako bi se održala usklađenost sa propisima o elektromagnetnoj kompatibilnosti.

### Napomena: Periferni uređaji

Sa ovim uređajem dozvoljeno je povezivati samo periferne uređaje (ulazne/izlazne uređaje, terminale, štampače itd.) koji imaju sertifikat usklađenosti sa ograničenjima za uređaje klase B. Korišćenje sa nesertifikovanim perifernim uređajima može dovesti do smetnji u prijemu radio i TV programa.

### Oprez

Promene ili modifikacije koje proizvođač nije izričito odobrio mogu dovesti do ukidanja dozvole korisnika za korišćenje ovog proizvoda, koju mu je dodelila Federalna komisija za komunikacije (FCC).

### Uslovi za korišćenje

Ovaj uređaj je usklađen sa delom 15 pravila FCC. Korišćenje podleže sledećim uslovima: (1) ovaj uređaj ne sme da izazove štetne smetnje i (2) ovaj uređaj mora da prihvati sve primljene smetnje, uključujući i smetnje koje mogu dovesti do nepravilnosti u radu.

### Napomena: Korisnici u Kanadi

Ovaj digitalni uređaj klase B usklađen je sa kanadskim standardom ICES-003.

### Remarque à l'intention des utilisateurs canadiens

Cet appareil numérique de la classe B est conforme à la norme NMB-003 du Canada.

### Odlaganje otpadnih uređaja od strane korisnika iz domaćinstava u Evropskoj uniji



Ovaj simbol na proizvodu ili pakovanju označava da se ovaj proizvod ne sme odlagati zajedno sa ostalim kućnim otpadom. Umesto toga, obavezni ste da otpadne uređaje odložite tako što ćete ih predati na nekoj od postojećih tačaka za prikupljanje otpadne električne i elektronske opreme. Zasebno prikupljanje i recikliranje otpadnih uređaja prilikom odlaganja pomaže u zaštiti prirodnih resursa i garantuje da će uređaj biti recikliran na način koji štiti zdravlje ljudi i životnu sredinu. Više informacija o tačkama za prikupljanje otpadnih uređaja radi recikliranja potražite od lokalne gradske kancelarije, lokalne komunalne službe ili prodavnice u kojoj ste kupili proizvod.

# SPECIFIKACIJE

LCD ekran	Pogonski sistem	TFT LCD ekran u boji	
	Veličina	35"W (88,9 cm)	
	Veličina piksela	0,24 mm (H) x 0,24 mm (V)	
	Osvjetljenost	Osnovna: 600 cd/m <sup>2</sup> ; HDR režim: 1000 cd/m <sup>2</sup> (maksimalno)	
	Kontrast	2500:1	
	Ugao vidljivosti	178° (H) 178° (V) (CR=10)	
	Vreme odziva	2 ms (GTG)	
	Tip ekrana	VA	
	H-frekvencija	HDMI: 30 - 150 KHz DP: 88 - 282 KHz	
	V-frekvencija	HDMI: 24 - 100 Hz DP: 24 - 180 Hz	
Boje na ekranu	16,7 miliona		
Takt generisanja piksela	HDMI 2.0: 543,5 MHz DP 1.4: 1017 MHz DP 1.4: 1056 MHz (funkcija ubrzanja DP-a = uključeno)		
Maksimalna rezolucija	HDMI: 3440 x 1440 @ 100 Hz DP: 3440 x 1440 @ 180 Hz DP: 3440 x 1440 @ 200 Hz (Režim povećanja radnog takta samo za G-Sync)		
Plug & Play	VESA DDCI/DDC2B		
Energetski razred	D		
*Godišnja potrošnja energije	145 (kWh) (kod modela sa HDMI ulazom)		
Potrošnja energije (pri 200 nita)	Uključen	64,1 W (tipično)	
	Režim mirovanja	0,50 W (tipično)	
	Isključen	0,50 W (tipično)	
Ulazni priključak	HDMI DP		
Ulazni video signal	HDMI signal DP		
Zvučnici	4 W x 2		
USB	USB 3.0 x 3		
Maksimalna veličina ekrana	Horizontalno: 819,408 mm Vertikalno: 345,888 mm		
Izvor napajanja	20V $\overline{\text{---}}$ 14A		
Ambijentalni faktori	Radna temperatura: 0° do 40°C Temperatura za skladištenje: -20° do 60°C Vlažnost pri radu: 20% do 80%		
Dimenzije	833 (Š) x 450,5 ~ 580,5 (V) x 309 (D) mm		
Težina (neto)	13,39 kg (neto)		
Specifikacije mehanizma	Naginjanje: -5° do +25° (naginjanje pod uglom od 25 stepeni dostupno je samo u najvišjoj tački) Rotiranje: -30° do +30° Podešavanje visine: 0 mm do 130 mm Menjanje orijentacije: Ne Odvajivo postolje: Da		
Spoljne komande	Prekidač/dugmad	Dugme za uključivanje/isključivanje Taster prečice 1 Taster prečice 2	Ulaz Taster za navigaciju 5
	Funkcije	Osvjetljenje Kontrast Plava svetlost Dark Boost Odziv pozadinskog osvetljenja SDR Variable Backlight Automatsko osvetljenje Automatski nivo crnog Relativna gama SDR Colors sRGB DP YCbCr sRGB HDMI YCbCr sRGB Temperatura boje Jačina zvuka Over Drive Ubrzanje	Ciljna tačka Jezik Dužina prikazivanja menija na ekranu Providnost Brzina osvežavanja OSD zaključavanje Ulaz Ambijentno osvetljenje Dodela interventnih tastera Režim široke slike Režim hibernacije Režim za brzo pokretanje USB punjenje kada je napajanje isključeno Informacije o monitoru Resetovanje svih podešavanja Izlaz
Sve specifikacije podležu promeni bez prethodnog obaveštenja.			

Priružnike i drugu dokumentaciju za vaš Acer proizvod možete pronaći na zvaničnoj veb-lokaciji za podršku kompanije Acer.

\*Godišnja potrošnja energije izračunava se na osnovu tipične potrošnje energije od 4 sata na dan, 365 dana godišnje.

## دليل البدء السريع لشاشة LCD من Acer (QSG)

### تعليمات مهمة للسلامة

يرجى قراءة التعليمات التالية بعناية.

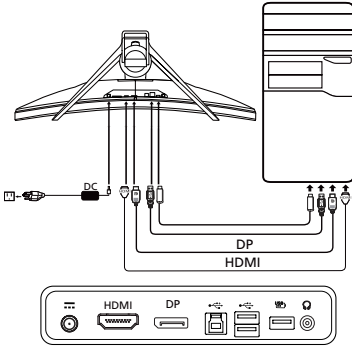
1. لتنظيف شاشة LCD: تأكد من أن شاشتك مصنفة كهربائياً للعمل باستخدام طاقة التيار المباشر المتوفرة في موقعك.
  - قم بإيقاف تشغيل شاشة LCD وافصل قابس سلك الطاقة.
  - قم بفرش محلول تنظيف غير منديب على قطعة قماش و قم بتنظيف الشاشة برفق.
  - لا تعرض أو تسكب أي سوائل مباشرة على الشاشة أو الحاوية.
  - يرجى عدم استخدام أي منظفات قائمة على النشا أو الكحوليات على شاشة عرض LCD أو الحاوية.
  - لا تتحمل Acer المسؤولية تجاه التلف الناجم عن استخدام أي منظفات قائمة على النشا أو الكحول.
  - لا تضع شاشة LCD بالقرب من النافذة. قد يتسبب تعرض الشاشة إلى الأمطار أو الرطوبة أو أشعة الشمس أو تعرضها لتلف كبير.
  - لا تضغط على شاشة LCD. قد يتسبب الضغط الزائد في حدوث تلف دائم بالشاشة.
  - لا تترك الغطاء ولا تحاول خدمة هذه الوحدة بنفسك. يجب أن يقوم فني معتمد بتنفيذ الخدمة من أي نوع.
  - قد يتسبب تخزين شاشة LCD خارج غرفة تتر أو ح درجة حرارتها بين -20 درجة مئوية إلى 60 درجة مئوية (4- درجات فهرنهايت إلى 140 درجة فهرنهايت).
  - قد يتسبب تخزين شاشة LCD خارج هذا النطاق في حدوث تلف دائم.
2. قم على الفور بفك قابس الشاشة والاقصال بفني معتمد في حالة حدوث أي من الظروف التالية:
  - اهتزاز أو تلف كبل الإشارة من الشاشة إلى الكمبيوتر الشخصي.
  - انسكاب السوائل على شاشة LCD أو تعرض الشاشة إلى الأمطار.
  - تلف شاشة LCD أو الحاوية.

### تركيب الشاشة بالقاعدة

1. قم بفك قاعدة الشاشة من الغلاف وضعها على سطح عمل ثابت ومستوي.
2. قم بفك الشاشة من الغلاف.
3. قم بتركيب ذراع حامل الشاشة بالقاعدة.
  - تأكد من قفل القاعدة على ذراع حامل الشاشة. (لمجموعة محددة من الطرز)
  - قم بتثبيت القاعدة في ذراع حامل الشاشة عن طريق لف البرغي باستخدام العروة المسطحة أو عملة معدنية مناسبة. (لمجموعة محددة من الطرز)

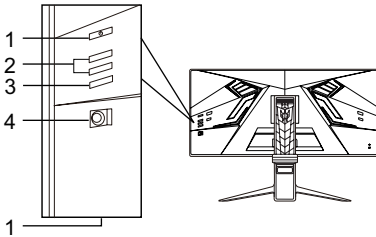
### توصيل الشاشة بجهاز الكمبيوتر

1. قم بإيقاف تشغيل الشاشة وافصل قابس سلك طاقة جهاز الكمبيوتر.
- 2-1 توصيل كابل HDMI
  - أ. تأكد من إيقاف تشغيل الشاشة وجهاز الكمبيوتر.
  - ب. قم بتوصيل كابل HDMI بجهاز الكمبيوتر.
- 2-2 توصيل كابل DP (إدخال افتراضي)
  - أ. تأكد من إيقاف تشغيل الشاشة وجهاز الكمبيوتر.
  - ب. قم بتوصيل كابل DP بجهاز الكمبيوتر.
3. أدخل كابل طاقة الشاشة في منفذ الطاقة الموجود في الجزء الخلفي من الشاشة.
4. قم بتوصيل سلكي طاقة جهاز الكمبيوتر والشاشة في مخرج كهربائي قريب.
5. حدد تشغيل/إيقاف تشغيل شحن USB عند انقطاع الطاقة/تعتيق/وظيفة شحن USB عند انقطاع الطاقة.



### مفاتيح التحكم الخارجية

الرقم	العنصر	الوصف
1	مؤشر/زر الطاقة	لتشغيل/إيقاف تشغيل الشاشة. يشير اللون الأزرق إلى تشغيل الطاقة. يشير اللون الكهرماني إلى وضع الاستعداد/إدخال الطاقة.
2	مفتاح التشغيل السريع 1، زر	اضغط لتشغيل وظيفة مفتاح التشغيل السريع المحددة من قبل المستخدم.
3	زر الإدخال	اضغط للتبديل بين مصادر الإدخال.
4	زر التنقل/موافق	اضغط لتشغيل قائمة OSD. ثم استخدمه كمفتاح توجيهي لتمييز الوظيفة المطلوبة. اضغط عليه مجدداً للإدخال/تحديد.



## الخواص وإخطارات السلامة

### إخطار لجنة الاتصالات الفيدرالية

تم اختبار هذا الجهاز ووجد أنه يتوافق مع القيود الخاصة بالأجهزة الرقمية من الفئة «ب» بموجب الجزء 15 من قوانين لجنة الاتصالات الفيدرالية. تم وضع هذه القيود لتوفير حماية معقولة من التثويش الضار داخل منشأة سكنية. هذا الجهاز يولد طاقة ترددات لاسلكية ويستخدمها ويملكه بها، وإذا لم يتم تركيبه واستخدامه وفقاً للتعليمات، فقد يتسبب في حدوث تثويش ضار بتصالات الراديو.

ومع ذلك، لا يوجد ضمان بعدم حدوث تثويش في تركيبات معينة. إذا تسبب هذا الجهاز في حدوث تثويش ضار باستقبال الراديو أو التلفاز، والذي يمكن تحديده بإيقاف تشغيل الجهاز ثم تشغيله، فإياه يوصى بأن يجرب المستخدم تصحيح التثويش عن طريق تنفيذ إجراء واحد أو أكثر من الإجراءات التالية:

- إعادة توجيه هوائي الاستقبال أو تغيير موقعه.
- زيادة المسافة الفاصلة بين الجهاز وجهاز الاستقبال.
- توصيل الجهاز في مخرج كهربائي يشتمل على دائرة مختلفة عن الدائرة المتصل بها جهاز الاستقبال.
- استئجار التاجر أو فني راديو/تلفاز خبير للحصول على المساعدة.

### بيان التوافق من الاتحاد الأوروبي

بموجب ذلك، تعلن شركة Acer Inc عن توافق شاشة LCD هذه مع المتطلبات الأساسية والأحكام الأخرى المرتبطة بتوجيه التوافق الكهرومغناطيسي 2014/30/EC، وتوجيه المواظبة المنخفضة 2014/35/EU، وتوجيه تقييد استخدام المواد الخطرة 2011/65/EU، وتوجيه 2009/125/EC المتعلق بإنشاء إطار عمل خاص بوضع متطلبات التصميم صديق البيئة للمنتج المرتبط بالطاقة.

### إخطار:

لتجنب تلف الشاشة، لا ترفعها من قاعدتها.

### إخطار: الكابلات المغلفة

يجب عمل جميع الاتصال بأجهزة الكمبيوتر الأخرى باستخدام كابلات مغلفة للحفاظ على الامتثال للوائح التوافق الكهرومغناطيسي.

### إخطار: الأجهزة الطرفية

لا يسمح بتركيب سوى الأجهزة الطرفية (أجهزة الإدخال/الإخراج، أطراف التوصيل، الطابعات، إلخ) المعتمدة للتوافق مع قيود الفئة «ب» بهذا الجهاز. يحتمل أن يؤدي التشغيل باستخدام أجهزة طرفية غير معتمدة إلى حدوث تثويش في استقبال الراديو والتلفاز.

### تنبيه

قد تتسبب التغييرات أو التعديلات غير المعتمدة صراحة بواسطة الجهة المصنعة إلى إلغاء سلطة المستخدم، الممنوحة من قبل لجنة الاتصالات الفيدرالية، لتشغيل هذا المنتج.

### شروط التشغيل

يتوافق هذا الجهاز مع الجزء رقم 15 من قوانين لجنة الاتصالات الفيدرالية. يخضع التشغيل للشروطين التاليين: (1) لا يجوز أن يتسبب هذا الاستخدام في حدوث تثويش ضار، و(2) يجب أن يقلل هذا الجهاز أي تثويش مستلم، وذلك يشمل التثويش الذي قد يتسبب في حدوث تشغيل غير مرغوب به.

### إخطار: المستخدمون الكنديون

يتوافق هذا الجهاز الرقمي من الفئة «ب» مع المعيار ICES-003 الكندي.

## Remarque à l'intention des utilisateurs canadiens

Cet appareil numérique de la classe B est conforme à la norme NMB-003 du Canada.

### التخلص من مخلفات المعدات بواسطة المستخدمين في المنازل الخاصة في الاتحاد الأوروبي

يشير هذا الرمز الموجود على المنتج أو على الغلاف إلى ضرورة عدم التخلص من هذا المنتج مع المخلفات المنزلية الأخرى. بدلاً من ذلك، تقع المسؤولية عليك في التخلص من مخلفات المعدات عن طريق تسليمها إلى نقطة تجميع المخلفات المخصصة من أجل إعادة تدوير مخلفات المعدات الكهربائية والإلكترونية. سيساعد التجميع المنفصل وإعادة التدوير لمخلفات المعدات عند التخلص منها في الحفاظ على الموارد الطبيعية والتأكد من إعادة تدويرها بطريقة تحمي الصحة البشرية والبيئة. للحصول على مزيد من المعلومات حول المكان الذي يمكنك فيه التخلص من مخلفات المعدات، يرجى الاتصال بموظف المدينة المحلي أو خدمة التخلص من المخلفات المنزلية التي تتبعها أو المتجر الذي اشتريته منه المنتج.



## المواصفات

نظام التشغيل	شاشة LCD ملونة TFT	لوحة LCD
الحجم	35"W (88.9 سم)	
قياس البكسل	0.24 ملم (أفقي) × 0.24 ملم (رأسي)	
السطوع	الدفعة الأصلية: 600 cd/m <sup>2</sup> HDR الوضع: 1000 cd/m <sup>2</sup> (التروة)	
التباين	2500:1	
زاوية الرؤية	178 درجة (أفقي) 178 درجة (رأسي) (نسبة التباين=10)	
وقت الاستجابة	2 مللي ثانية (رسماني إلى رسماني)	
نوع اللوحة	VA	
التردد الأقصى	HDMI: 150 - 30 كيلو هرتز DP: 282 - 88 كيلو هرتز	
التردد الرأسي	HDMI: 100 - 24 هرتز DP: 180 - 24 هرتز	
ألوان العرض	16.7 مليوناً	
الساعة النظية	HDMI 2.0: 543.5 ميغا هرتز DP 1.4: 1017 ميغا هرتز ، DP 1.4: 1056 ميغا هرتز (ميزة DP كسر سرعة المعالج = قيد التشغيل)	
الحد الأقصى للدفعة	HDMI: 1440 x 3440 @ 100 هرتز DP: 1440 x 3440 @ 180 هرتز DP: 1440 x 3440 @ 200 هرتز (وضع رفع تردد التشغيل G-Sync فقط)	
التوصيل والتشغيل	VESA DDCI/DC2B	
فئة كفاءة الطاقة	D	
*استهلاك الطاقة السنوي	145 كيلو واط (أطراف إدخال HDMI)	
استهلاك الطاقة (بعد 200 نمت)	وضع التشغيل	64.1 واط (نموذجي)
	وضع السكون	0.50 واط (نموذجي)
	وضع إيقاف التشغيل	0.50 واط (نموذجي)
موصل الإدخال	HDMI DP	
إشارة فيديو الإدخال	إشارة HDMI DP	
مكبرات الصوت	2 x 4 W	
USB	3 x USB 3.0	
الحد الأقصى لحجم الشاشة	أفقي: 819.408 ملم رأسي: 345.888 ملم	
مصدر الطاقة	14A --- 20V	
الاعتبارات البيئية	درجة حرارة التشغيل: من 0 درجة مئوية إلى 40 درجة مئوية درجة حرارة التخزين: من 20- درجة مئوية إلى 60 درجة مئوية رطوبة التشغيل: 20% إلى 80%	
الأبعاد	833 (العرض) x 450.5 ~ 580.5 (الارتفاع) x 309 (العمق) ملم	
الوزن (الوزن الصافي)	13.39 كجم (صافي)	
مواصفات الآلية	الإمالة: 5- درجات إلى +25 درجة (بعد نقطة فقط يمكن توفير 25 درجة من الانحناء لزاوية الارتفاع) الدوران حول المحور: 30- درجة إلى +30 درجة ضبط الارتفاع: من 0 إلى 130 مم المحور: لا يوجد الحامل القابل للثقل: يوجد	
مفاتيح التحكم الخارجية	زر الطاقة	إدخال
	مفتاح التشغيل السريع 1 مفتاح التشغيل السريع 2	5 مفاتيح التنقل
الوظائف	السطوع التباين ضوء الأزرق Dark Boost استجابة الضوء الخلفي SDR Variable Backlight سطوع تلقائي المستوى الأسود التلقائي جاسا مالم SDR Colors sRGB DP YCbCr sRGB HDMI YCbCr sRGB درجة حرارة اللون مستوى الصوت فوق محرك الأفراس على مدى الساعة	المؤشر الموجه للدفعة مهلة العرض على الشاشة التفقيط معدل التحديث OSD قفل إدخال ضوء محظي تعيين مفاتيح التشغيل السريع الوضع العريض نوم عميق وضع البدء السريع إيقاف تشغيل شحن USB معلومات عن الشاشة إعادة ضبط كل الإعدادات خروج

تخضع جميع المواصفات للتغيير بدون إخطار.

يمكنك العثور على الأدلة والمسمندات الأخرى الخاصة بمنتج Acer على موقع الويب الرسمي لـ Acer.

\*تم حساب استهلاك الطاقة السنوي باستخدام استهلاك الطاقة النموذجي البالغ 4 ساعات في اليوم، لمدة 365 يوماً في العام.

# Guia de início rápido do monitor LCD Acer (QSG)

## Instruções de segurança importantes

Leia as instruções a seguir atentamente.

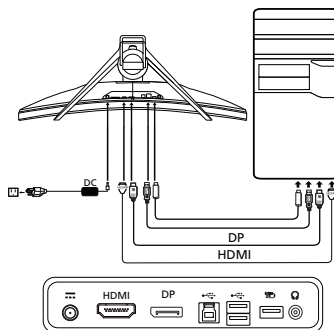
- Para limpar a tela do monitor LCD: Verifique se a classificação do monitor permite que ele seja conectado à fonte de alimentação CA disponível na sua localidade.
  - Desligue o monitor LCD e desconecte o cabo de alimentação da tomada.
  - Borrife uma solução de limpeza sem solventes em um pano e limpe a tela com cuidado.
  - NUNCA BORRIFE NEM DESPEJE QUALQUER TIPO DE LÍQUIDO DIRETAMENTE NA TELA OU NAS DEMAIS PARTES DO MONITOR.**
  - NÃO USE PRODUTOS À BASE DE AMONÍACO OU ÁLCOOL NO VISOR OU NAS DEMAIS PARTES DO MONITOR LCD.**
  - A Acer não será responsável por danos resultantes do uso de soluções de limpeza à base de amoníaco ou álcool.
- Não coloque o monitor LCD próximo a janelas. A exposição do monitor à chuva, umidade ou luz solar pode causar danos graves ao aparelho.
- Não aplique pressão à tela LCD. A pressão em excesso pode causar danos permanentes ao visor.
- Não remova a tampa nem tente fazer a manutenção da unidade. Todos os tipos de manutenção devem ser realizados por um técnico autorizado.
- O monitor LCD deve permanecer em ambientes com temperatura entre -20° a 60° C (-4° a 140° F). Não seguir essa recomendação pode causar danos permanentes ao aparelho.
- Desconecte o monitor da tomada imediatamente e entre em contato com um técnico autorizado em qualquer um destes casos:
  - O cabo de sinal que conecta o monitor ao PC está desgastado ou foi danificado.
  - Houve derramamento de líquido no monitor LCD ou o monitor foi exposto à chuva.
  - O monitor LCD — ou outras partes do aparelho — está danificado.

## Como fixar o monitor na base

- Retire a base do monitor da embalagem e coloque-a sobre uma estação de trabalho estável e plana.
- Remova o monitor da embalagem.
- Prenda o braço de suporte do monitor na base.
  - Certifique-se de que a base esteja travada no braço de suporte do monitor. (somente em alguns modelos)
  - Prenda a base ao braço de suporte do monitor com o parafuso usando uma chave de fenda ou uma moeda apropriada. (somente em alguns modelos)

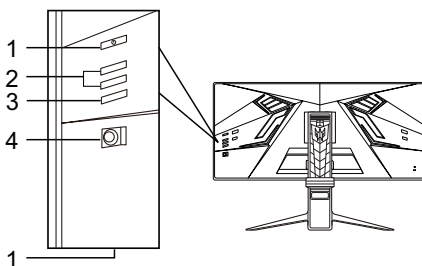
## Como conectar o monitor a um computador

- Desligue o monitor e desconecte o cabo de alimentação do computador da tomada.
- 2-1 Conectar o cabo HDMI
  - Verifique se o monitor e o computador estão desligados.
  - Conecte o cabo HDMI ao computador. Ao utilizar HDMI, você pode pressionar qualquer botão para acionar a origem da porta de E/S, menos o botão Liga/Desliga.
- 2-2 Conectar o cabo DP (Entrada predefinida)
  - Verifique se o monitor e o computador estão desligados.
  - Conecte o cabo DP ao computador.
- Insira o cabo de alimentação do monitor na porta de alimentação na parte posterior do aparelho.
- Conecte os cabos de alimentação do computador e do monitor a uma tomada elétrica.
- Selecione ON/OFF em Desligar carga USB para ativar/desativar essa função.



## Controles externos

Nº	Item	Descrição
1	Botão/indicador ON/OFF	Liga/desliga o monitor. A cor azul indica que o aparelho está ligado. A cor âmbar indica que o aparelho está no modo de espera/economia de energia.
2	Atalho 1, 2 botões	Pressione para ativar a função de atalho definido pelo usuário.
3	Botão de entrada	Aperte para trocar os input sources.
4	Botão Navi/OK	Pressione para ativar o menu OSD e, em seguida, utilize-o como uma tecla direcional para sublinhar a função desejada. Pressione-o novamente para fazer a seleção.





# Regulamentos e avisos de segurança

## Aviso da FCC

Esse dispositivo foi testado e está em conformidade com os limites de dispositivos digitais da Classe B, de acordo com a Parte 15 das normas da FCC. Esses limites foram estabelecidos para proporcionar a proteção adequada contra interferência em instalações residenciais. Esse dispositivo gera, usa e pode irradiar energia de radiofrequência. Se não for instalado e usado de acordo com as instruções, o aparelho pode provocar interferência em comunicações de rádio.

No entanto, não há garantias de que não haverá interferência em determinadas instalações. Se o dispositivo causar interferência na recepção de rádio ou televisão — o que é possível verificar desligando e religando o dispositivo —, o usuário deve tomar uma ou mais das medidas a seguir para tentar solucionar o problema:

- Mude a posição da antena receptora.
- Distancie o dispositivo do receptor.
- Conecte o dispositivo a outra tomada, de modo que o aparelho e o receptor sejam conectados a circuitos diferentes.
- Consulte o revendedor ou um técnico em rádio/televisão experiente para obter ajuda.

## Declaração de conformidade CE

Por meio deste instrumento, a Acer Inc. declara que o monitor LCD em questão está em conformidade com os requisitos básicos e outras disposições pertinentes da Diretiva CEM 2014/30/EU, da Diretiva de baixa tensão 2014/35/EU, da Diretiva RoHS 2011/65/EU e da Diretiva 2009/125/EC para a criação de uma estrutura que estabeleça os requisitos de concepção ecológica para produtos que utilizam energia elétrica.

## Aviso:

Para evitar danos ao monitor, não levante o monitor pela sua base.

## Aviso: Cabos blindados

Todas as conexões com outros dispositivos de computação devem usar cabos blindados para manter a conformidade com as regulamentações de compatibilidade eletromagnética.

## Aviso: Dispositivos periféricos

Somente periféricos (dispositivos de entrada/saída, terminais, impressoras etc.) certificados e em conformidade com os limites da Classe B podem ser conectados a esse equipamento. O uso de dispositivos periféricos não certificados pode causar interferência na recepção de sinais de rádio e televisão.

## Cuidado

As alterações ou modificações que não sejam expressamente aprovadas pelo fabricante podem revogar o direito de utilização do produto, que é assegurado pela Federal Communications Commission.

## Condições de funcionamento

Esse dispositivo está em conformidade com a Parte 15 das normas da FCC. A operação está sujeita a estas duas condições: (1) o dispositivo não pode causar interferência e (2) o dispositivo deve aceitar qualquer interferência recebida, inclusive interferência que possa causar operação indesejada.

## Aviso: Usuários no Canadá

Esse aparelho digital de Classe B está em conformidade com a norma canadense ICES-003.

## Remarque à l'intention des utilisateurs canadiens

Cet appareil numérique de la classe B est conforme à la norme NMB-003 du Canada.

## Descarte de equipamentos nas residências dos usuários na União Europeia



O símbolo ao lado, presente no produto ou na sua embalagem, indica que esse produto não deve ser descartado no lixo doméstico comum. Em vez disso, é sua responsabilidade descartar o equipamento adequadamente, levando-o a um ponto de coleta para reciclagem do equipamento elétrico e eletrônico. A coleta seletiva e reciclagem do equipamento no momento do descarte ajudará a conservar recursos naturais e garantir que ele seja reciclado para proteger a saúde humana e o meio ambiente. Para obter mais informações sobre pontos de coleta de equipamentos para reciclagem, entre em contato com a prefeitura da sua cidade, com o serviço de coleta doméstica ou com o estabelecimento em que o produto foi adquirido.

# ESPECIFICAÇÃO

Painel LCD	Sistema tecnológico	LCD TFT a cores	
	Tamanho	35" W (88,9 cm)	
	Densidade dos pixels	0,24 mm (H) x 0,24 mm (V)	
	Brilho	Nativo: 600 cd/m <sup>2</sup> ; modo HDR: 1000 cd/m <sup>2</sup> (pico)	
	Contraste	2500:1	
	Ângulo de visualização	178° (H) 178° (V) (CR=10)	
	Tempo de resposta	2 ms (GTG)	
	Tipo de painel	VA	
	Frequência H	HDMI : 30-150 KHz DP: 88-282 KHz	
Frequência V	HDMI: 24-100 Hz DP: 24-180 Hz		
Cores do visor		16,7 Milhões	
Sincronismo de pontos		HDMI 2.0: 543,5 MHz DP 1.4: 1017 MHz DP 1.4: 1056 MHz (função DP-over clock = ON)	
Resolução máxima		HDMI: 3440 x 1440 @ 100 Hz DP: 3440 x 1440 @ 180 Hz DP: 3440 x 1440 @ 200 Hz (Modo de overclock apenas para G-Sync)	
Plug&Play		VESA DDCCI/DDC2B	
Classe de eficiência energética		D	
*Consumo de energia anual		145 kWh (modelo com entrada HDMI)	
Consumo de energia (até 200 nits)	Ligado	64,1 W (típico)	
	Hibernação	0,50 W (típico)	
	Desligado	0,50 W (típico)	
Conector de entrada		HDMI DP	
Sinal de entrada de vídeo		Sinal HDMI DP	
Alto-falantes		4 W x 2	
USB		USB 3.0 x 3	
Tamanho máximo da tela		Horizontal: 819,408 mm Vertical: 345,888 mm	
Fonte de alimentação		20V — 14A	
Condições do ambiente		Temperatura de funcionamento: 0° a 40°C Temperatura de armazenamento: de -20° a 60°C Umidade operacional: 20% a 80%	
Dimensões		833 (L) x 450,5 – 580,5 (A) x 309 (P) mm	
Peso (líquido)		13,39 kg (líq.)	
Especificações do mecanismo		Inclinação: de -5° a +25° (só é possível obter 25 graus de inclinação para o ângulo de elevação no ponto mais alto) Rotação: -30° a +30° Ajuste de altura: de 0 a 130 mm Giro: Não Suporte separável: Sim	
Controles externos	Botões	Botão ON/OFF Atalho 1 Atalho 2	Entrada Tecla 5 Navi
	Funções	Brilho Contraste Luz azul Dark Boost Resposta Luz de Fundo SDR Variable Backlight Auto Brilho Auto Nível de Preto Gama Relativo SDR Colors sRGB DP YCbCr sRGB HDMI YCbCr sRGB Temp. de cor Volume Over Drive Over Clock	Ponto alvo Idioma Tempo limite OSD Transparência Num taxa atualiz Bloqueio OSD Entrada Luz Ambiente Designação de Atalho Wide Mode Suspensão profunda Modo Início Ráp. Desligar carregamento USB Informações sobre o visor Redefinir Todas Config Sair
Todas as especificações estão sujeitas a alterações sem aviso prévio.			

Encontre manuais e outros documentos para seu produto Acer no site de suporte da Acer.

\*O consumo de energia anual é calculado com base no consumo de energia normal por 4 horas por dia, 365 dias por ano.

# Короткий посібник з використання ПК-монітора Acer (QSG)

## Важливі заходи безпеки

Уважно прочитайте подані далі інструкції.

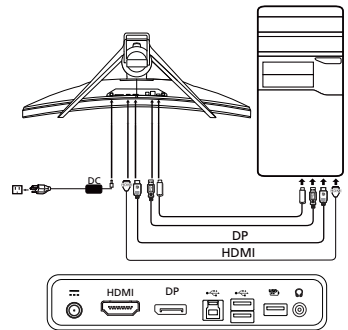
1. Чищення екрана ПК-монітора: перевірте, чи монітор призначено для роботи в мережі змінного струму, що у вашій місцевості.
  - Вимкніть ПК-монітор та від'єднайте кабель живлення.
  - Розпилиль нерозчинний засіб для чищення на ганчірку й акуратно почистіть екран.
  - **НИКОЛИ НЕ РОЗПИЛЮЙТЕ ТА НЕ ПРОЛИВАЙТЕ РІДИНУ БЕЗПОСЕРЕДНЬО НА ЕКРАН АБО КОРПУС.**
  - **ДЛЯ КОРПУСУ АБО РК-ДИСПЛЕЯ НЕ ВИКОРИСТОВУЙТЕ ОЧИСНИКИ НА ОСНОВІ АМІАКУ АБО СПИРТУ.**
  - Acer не несе відповідальності за пошкодження через застосування очисників, що містять аміак або спирт.
2. Не ставте ПК-монітор біля вікна. Дощ, волога або сонячні промені можуть сильно пошкодити його.
3. Не тисніть на РК-екран. Надмірний тиск може пошкодити дисплей.
4. Не знімайте кришку та не обслуговуйте цей пристрій самостійно. Будь-яке обслуговування має виконувати уповноважений спеціаліст.
5. Зберігайте ПК-монітор у кімнаті за температури від -20° до 60° С. Зберігання ПК-монітора за іншої температури, ніж ця, може спричинити його пошкодження.
6. негайно від'єднайте монітор від електромережі та викличте уповноваженого спеціаліста за описаних нижче обставин.
  - Кабель передачі сигналів від монітора до комп'ютера зносився або пошкоджений.
  - На РК-монітор розлилася рідина або потрапив дощ.
  - РК-монітор або корпус пошкоджено.

## Під'єднання монітора до основи

1. Вийміть основу монітора з упаковки та встановіть її на стійкій та рівній поверхні.
2. Вийміть монітор з упаковки.
3. Під'єднайте підставку монітора до основи.
  - Основа має бути зафіксовано на підставці (для деяких моделей).
  - Прикріпіть основу до підставки монітора, повертаючи гвинт за допомогою спеціального інструмента або монети (для деяких моделей).

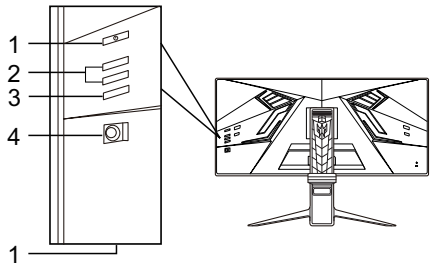
## Під'єднання монітора до комп'ютера

1. Вимкніть монітор та вийміть кабель живлення комп'ютера.
2. 2-1 Під'єднайте кабель HDMI
  - a. Перевірте, чи монітор та комп'ютер ВИМКНЕНО.
  - b. Під'єднайте кабель HDMI до комп'ютера.У разі використання HDMI можна натиснути будь-яку кнопку, крім кнопки живлення, щоб запустити джерело, підключене до порту вводу-виводу.
- 2-2 Під'єднайте кабель DP (стандартний вхід)
  - a. Перевірте, чи монітор та комп'ютер ВИМКНЕНО.
  - b. Під'єднайте кабель DP до комп'ютера.
3. Вставте кабель живлення монітора в роз'єм для кабелю живлення на задній панелі монітора.
4. Вставте кабелі живлення комп'ютера та монітора в найближчу розетку.
5. Виберіть налаштування УВІМК./ВИМК. заряджання USB у вимкненому стані, щоб увімкнути/вимкнути функцію заряджання через USB у вимкненому стані.



## Зовнішні елементи керування

Номер	Елемент	Опис
1	Кнопка/індикатор живлення	Увімкнення/вимкнення монітора. Синій колір вказує на ввімкнене живлення. Жовтий колір вказує на режим очікування/заощадження електроенергії.
2	Гарячі клавіші 1, 2	Натискайте для увімкнення функції гарячої клавіші, встановленої користувачем.
3	Кнопка вхідного сигналу	Натисніть, щоб змінити джерело вхідного сигналу.
4	Кнопка навігації/ОК	Натисніть для увімкнення екранного меню, після цього використовуйте як кнопку навігації для виділення потрібної функції. Натисніть знову для введення вибору



## Правові норми та заходи безпеки

### Повідомлення Федеральної комісії зв'язку

Цей пристрій пройшов перевірку та відповідає обмеженням для цифрових пристроїв класу В, як передбачено частиною 15 Правил Федеральної комісії зв'язку. Ці обмеження призначено для забезпечення належного захисту від шкідливих перешкод у житловому середовищі. Цей пристрій створює, використовує та може випромінювати радіочастотну енергію, а тому, у разі встановлення та використання із порушенням інструкцій, може призводити до виникнення шкідливих перешкод для радіозв'язку. Проте немає жодної гарантії, що у певному варіанті встановлення перешкоди не виникатимуть. Якщо цей пристрій створює перешкоди для прийому радіосигналу або телевізійного сигналу, що можна перевірити шляхом вимкнення та вмкнення пристрою, рекомендується спробувати усунути перешкоди одним із наведених способів.

- Налаштуйте або змініть розташування прийомної антени.
- Збільшіть відстань між пристроєм і приймачем.
- Під'єднайте пристрій та приймач до різних розеток.
- Зверніться за допомогою до дилера або досвідченого телерадіотехніка.

### Заява про відповідність ЄС

Цим повідомленням компанія Acer Inc. стверджує, що цей ПК-монітор відповідає важливим вимогам та іншим відповідним умовам Директиви щодо електромагнітної сумісності 2014/30/EU, Директиви щодо низької напруги 2014/35/EU, Директиви про обмеження вмісту шкідливих речовин 2011/65/EU та Директиви 2009/125/ЄС щодо визначення норм для встановлення вимог стосовно екодизайну для виробу, пов'язаного з енергією.

### Примітка.

З метою запобігання пошкодження монітора, не піднімайте монітор за його підставку.

### Примітка. Екрановані кабелі

Для відповідності нормативним актам щодо електромагнітної сумісності усі з'єднання з іншими пристроями необхідно виконувати за допомогою екранованих кабелів.

### Примітка. Периферійні пристрої

До цього пристрою можна під'єднувати лише периферійні пристрої (пристрої введення/виведення, роз'єми, принтери тощо), сертифіковані для відповідності обмеженням класу В. Робота з несертифікованими периферійними пристроями може перешкоджати прийому радіо- та телесигналів.

### Увага!

Зміни чи модифікації, які не є позитивно схвалені виробником, можуть позбавити користувача права користуватися цим виробом, яке надається Федеральною комісією зв'язку.

### Умови експлуатації

Цей пристрій відповідає частині 15 Правил Федеральної комісії зв'язку. На функціонування пристрою поширюються такі дві умови: (1) цей пристрій може не призводити до виникнення шкідливих перешкод; (2) цей пристрій повинен приймати будь-які перешкоди, зокрема ті, які можуть спричинити небажану роботу.

### Примітка. Користувачі в Канаді

Цей цифровий пристрій класу В відповідає канадському стандарту ICES-003.

### Remarque à l'intention des utilisateurs canadiens


Cet appareil numérique de la classe B est conforme à la norme NMB-003 du Canada.

### Утилізація використаного виробу користувачами у приватному господарстві у країнах ЄС



Цей символ на виробі або його упаковці вказує на те, що цей виріб не можна утилізувати з іншими побутовими відходами. Будучи відповідальним за утилізацію використаного пристрою, ви повинні здавати його у визначений пункт прийому для переробки використаного електричного й електронного обладнання. Розділений збір та переробка зношеного пристрою під час утилізації допоможе зберегти природні ресурси і гарантує безпечну для здоров'я людини та довкілля переробку. Щоб дізнатися більше про пункти прийому використаного пристрою для переробки, зверніться до місцевої адміністрації, служби з утилізації побутових відходів або магазину, в якому ви придбали пристрій.

## ТЕХНІЧНІ ХАРАКТЕРИСТИКИ

ПК-панель	Керуюча система	Кольоровий TFT ПК-екран	
	Розмір	35" W (88,9 см)	
	Крок пікселя	0,24 мм (по горизонталі) x 0,24 мм (по вертикалі)	
	Яскравість	Власний: 600 кд/м <sup>2</sup> ; Режим HDR: 1000 кд/м <sup>2</sup> (максимум)	
	Контрастність	2500:1	
	Кут огляду	178° (по горизонталі) 178° (по вертикалі) (CR=10)	
	Час відповіді	2 мс (GTG)	
	Тип панелі	VA	
	Частота рядків	HDMI: 30–150 кГц DP: 88–282 кГц	
Частота кадрів	HDMI: 24–100 Гц DP: 24–180 Гц		
Відображувані кольори	16,7 мільйонів		
Синхросигнал для відтворення зображень на растровому дисплеї	HDMI 2.0: 543,5 МГц DP 1.4: 1017 МГц DP 1.4: 1056 МГц (функція розгону DP = УВІМК.)		
Максимальна роздільна здатність	HDMI: 3440 x 1440 при 100 Гц DP: 3440 x 1440 при 180 Гц DP: 3440 x 1440 при 200 Гц (Режим Розгін тільки для G-Sync)		
Plug & Play	VESA DDCCI/DDC2B		
Клас енергозбереження	D		
*Щорічне споживання енергії	145 (кВт/год.) (для моделі із входом HDMI)		
Споживання живлення (за 200 ніт)	Режим увімкнення	64,1 Вт (типово)	
	Режим сну	0,50 Вт (типово)	
	Режим вимкнення	0,50 Вт (типово)	
Вхідний роз'єм	HDMI DP		
Вхідний відеосигнал	Сигнал HDMI DP		
Динаміки	4 W x 2		
USB	USB 3.0 x 3		
Максимальний розмір екрана	По горизонталі: 819,408 мм По вертикалі: 345,888 мм		
Джерело живлення	20V  14A		
Умови навколишнього середовища	Робоча температура: від 0°C до 40°C Температура зберігання: від -20°C до 60°C Робоча вологість: від 20% до 80%		
Розміри	833 (Ш) x 450,5–580,5 (В) x 309 (Г) мм		
Вага (вага нетто)	13,39 кг (нетто)		
Технічні характеристики механізму	Нахил: від -5° до +25° (лише в найвищій точці може бути запропоновано 25 градусів нахилу для кута нахилу) Поворот: від -30° до +30° Регулювання висоти: від 0 до 130 мм Завіса: Ні Знімна підставка: Так		
Зовнішні елементи керування	Перемикач/кнопки	Кнопка живлення Гаряча клавіша 1 Гаряча клавіша 2	
	Функції	Яскравість Контрастність Блакитне світло Dark Boost Відповідь підсвічуванням SDR Variable Backlight Автоматична яскравість Автоматичний рівень чорного Відносна гама SDR Colors sRGB DP YCbCr sRGB HDMI YCbCr sRGB Температура кольору Гучність Прискорення Розгін	Вхід 5 навігаційна клавіша Точка наведення Мова Час очікування екранного меню Прозорість Частота оновлення Блокування OSD Вхід Освітленість Призначення гарячої клавіші Широкоекранний режим Глибокий сон Режим швидкого запуску Зарядка від USB при вимкненому живленні Інформація про дисплей Скинута всі налаштування Вихід
Усі технічні характеристики може бути змінено без попередження.			

Посібники й інші документи для виробу Асер шукайте на офіційному веб-сайті підтримки Асер.

\*Щорічне споживання енергії обчислюється з урахуванням звичайного споживання енергії протягом 4 годин на день, 365 днів на рік.



**Acer Incorporated**  
 8F, 88, Sec. 1, Xintai 5th Rd., Xizhi  
 New Taipei City 221, Taiwan

## Declaration of Conformity

We,

**Acer Incorporated**

8F, 88, Sec. 1, Xintai 5th Rd., Xizhi, New Taipei City 221, Taiwan

And,

**Acer Italy s.r.l.**

Via Lepetit, 40, 20020 Lainate (MI) Italy

Tel: +39-02-939-921, Fax: +39-02 9399-2913

www.acer.it

<b>Product:</b>	<b>LCD Monitor</b>
<b>Trade Name:</b>	<b>ACER</b>
<b>Model Number:</b>	<b>X35</b>
<b>SKU Number:</b>	<b>X35        xxxxxx</b>
	<b>("x" = 0~9, a~z, A~Z, or blank)</b>

We, Acer Incorporated, hereby declare under our sole responsibility that the product described above is in conformity with the relevant Union harmonization legislations as below Directive and following harmonized standards and/or other relevant standards have been applied:

**EMC Directive: 2014/30/EU**

<input checked="" type="checkbox"/> EN55032:2012/AC:2013 Class B	<input checked="" type="checkbox"/> EN 55024:2010
<input checked="" type="checkbox"/> EN55032:2015/AC:2016 Class B	<input checked="" type="checkbox"/> EN61000-3-3:2013
<input checked="" type="checkbox"/> EN61000-3-2:2014 Class D	

**LVD Directive: 2014/35/EU**

<input checked="" type="checkbox"/> EN 60950-1:2006/A11:2009/A1:2010/A12:2011/A2:2013
---

**RoHS Directive: 2011/65/EU**

<input checked="" type="checkbox"/> EN 50581:2012
---

**ErP Directive: 2009/125/EC**

<input checked="" type="checkbox"/> Regulation (EC) No. 1275/ 2008; EN 50564:2011
---

**Year to begin affixing CE marking: 2019.**

\_\_\_\_\_  
**RU Jan / Sr. Manager**  
**Acer Incorporated (Taipei, Taiwan)**

**May 22, 2019**

\_\_\_\_\_  
**Date**



**Acer Incorporated**  
8F, 88, Sec. 1, Xintai 5th Rd., Xizhi  
New Taipei City 221, Taiwan

## Declaración de conformidad

Nosotros,

**Acer Incorporated**

8F, 88, Sec. 1, Xintai 5th Rd., Xizhi, New Taipei City 221, Taiwán

Y,

**Acer Italy s.r.l.**

Via Lepetit, 40, 20020 Lainate (MI) Italy

Tel: +39-02-939-921, fax: +39-02 9399-2913

www.acer.it

**Producto:** Monitor LCD  
**Nombre comercial:** ACER  
**Número de modelo:** X35  
**Número de Referencia (SKU):** X35 xxxxxx;  
("x" = 0~9, a~z, A~Z, o en blanco)

Nosotros, Acer Incorporated, por la presente declaramos bajo nuestra exclusiva responsabilidad que el producto descrito anteriormente cumple con la normativa de armonización correspondiente en la Unión Europea, la Directiva a continuación y las siguientes normas armonizadas y/o se han aplicado otras normas pertinentes:

**Directiva CEM: 2014/30/UE**

EN55032:2012/AC:2013 Clase B

EN 55024:2010

EN55032:2015/AC:2016 Class B

EN61000-3-3:2013

EN61000-3-2:2014 Clase D

**Directiva de baja tensión: 2014/35/UE**

EN 60950-1:2006/A11:2009/A1:2010/A12:2011/A2:2013

**Directiva RoHS: 2011/65/UE**

EN 50581:2012

**Directiva ErP: 2009/125/CE**

Reglamento (CE) N° 1275/2008; EN 50564:2011

**Año para empezar a aplicar el marcado CE: 2019.**

**RU Jan / Administrador Superior**  
**Acer Incorporated (Taipei, Taiwán)**

**May 22, 2019**

**Fecha**



**Acer Incorporated**  
8F, 88, Sec. 1, Xintai 5th Rd., Xizhi  
New Taipei City 221, Taiwan

## Konformitätserklärung

Wir,

**Acer Incorporated**

8F, 88, Sec. 1, Xintai 5th Rd., Xizhi, New Taipei City 221, Taiwan

Und

**Acer Italy s.r.l.**

Via Lepetit, 40, 20020 Lainate (MI) Italy

Tel: +39-02-939-921, Fax: +39-02 9399-2913

www.acer.it

<b>Produkt:</b>	<b>LCD-Monitor</b>
<b>Handelsbezeichnung:</b>	<b>ACER</b>
<b>Modellnummer:</b>	<b>X35</b>
<b>Artikelnummer:</b>	<b>X35        xxxxxx;</b>
	<b>(„x“ = 0 bis 9, a bis z, A bis Z oder Leerzeichen)</b>

Wir, Acer Incorporated, erklären hiermit in alleiniger Verantwortung, dass das oben beschriebene Produkt mit den relevanten Angleichungsrechtsvorschriften der Union entsprechend der nachstehenden Richtlinie übereinstimmt und folgende harmonisierte Standards und/oder anderen relevanten Standards angewandt wurden:

**EMV-Richtlinie: 2014/30/EU**

- |  |  |
|--|--|
| <input checked="" type="checkbox"/> EN55032:2012/AC:2013 Class B | <input checked="" type="checkbox"/> EN 55024:2010    |
| <input checked="" type="checkbox"/> EN55032:2015/AC:2016 Class B | <input checked="" type="checkbox"/> EN61000-3-3:2013 |
| <input checked="" type="checkbox"/> EN61000-3-2:2014 Class D     |  |

**LVD-Richtlinie: 2014/35/EU**

- |   |
|---|
| <input checked="" type="checkbox"/> EN 60950-1:2006/A11:2009/A1:2010/A12:2011/A2:2013 |
|---|

**RoHS-Richtlinie: 2011/65/EU**

- |   |
|---|
| <input checked="" type="checkbox"/> EN 50581:2012 |
|---|

**Ökodesign-Richtlinie (ErP): 2009/125/EG**

- |  |
|--|
| <input checked="" type="checkbox"/> Verordnung (EG) Nr. 1275/2008; EN 50564:2011 |
|--|

**Jahr, in dem mit der Anbringung der CE-Kennzeichnung begonnen wird: 2019.**

**RU Jan / leitender Manager**  
**Acer Incorporated (Taipeh, Taiwan)**

**May 22, 2019**

**Datum**





**Acer Incorporated**  
8F, 88, Sec. 1, Xintai 5th Rd., Xizhi  
New Taipei City 221, Taiwan

## Déclaration de conformité

Nous,

**Acer Incorporated**

8F, 88, Sec. 1, Xintai 5th Rd., Xizhi, New Taipei City 221, Taiwan

Et,

**Acer Italy s.r.l.**

Via Lepetit, 40, 20020 Lainate (MI) Italie

Tél : +39-02-939-921, Fax : +39-02 9399-2913

www.acer.it

<b>Produit :</b>	<b>Moniteur LCD</b>
<b>Nom commercial :</b>	<b>ACER</b>
<b>Numéro de modèle :</b>	<b>X35</b>
<b>Numéro SKU :</b>	<b>X35           xxxxxx;</b> <b>(“x” = 0~9, a ~ z, A ~ Z, ou blanc)</b>

Nous, Acer Incorporated, déclarons sous notre seule responsabilité que le produit décrit ci-dessus est en conformité avec les législations d'harmonisation pertinentes de l'Union et la directive ci-dessous, les normes harmonisées suivantes et/ou autres normes pertinentes ont été appliquées :

**Directive CEM : 2014/30/UE**

<input checked="" type="checkbox"/> EN55032:2012/AC:2013 Classe B	<input checked="" type="checkbox"/> EN 55024:2010
<input checked="" type="checkbox"/> EN55032:2015/AC:2016 Classe B	<input checked="" type="checkbox"/> EN61000-3-3:2013
<input checked="" type="checkbox"/> EN61000-3-2:2014 Classe D	

**Directive LVD : 2014/35/UE**

<input checked="" type="checkbox"/> EN 60950-1:2006/A11:2009/A1:2010/A12:2011/A2:2013
---

**Directive RoHS : 2011/65/UE**

<input checked="" type="checkbox"/> EN 50581:2012
---

**Directive ErP : 2009/125/CE**

<input checked="" type="checkbox"/> Règlementation (CE) n° 1275/2008; EN 50564:2011
---

Année pour commencer l'apposition du marquage CE : 2019.

**RU Jan / Sr. Manager**  
**Acer Incorporated (Taipei, Taiwan)**

**May 22, 2019**

**Date**



**Acer Incorporated**  
8F, 88, Sec. 1, Xintai 5th Rd., Xizhi  
New Taipei City 221, Taiwan

## Dichiarazione di conformità

Con la presente,

**Acer Incorporated**

8F, 88, Sec. 1, Xintai 5th Rd., Xizhi, New Taipei City 221, Taiwan

E,

**Acer Italy s.r.l.**

Via Lepetit, 40, 20020 Lainate (MI) Italy

Tel: +39-02-939-921, Fax: +39-02 9399-2913

www.acer.it

**Prodotto:** Monitor LCD  
**Denominazione commerciale:** ACER  
**Numero modello:** X35  
**Numero articolo (SKU):** X35 xxxxxx;  
("x" = 0~9, a ~ z, A ~ Z, o spazio)

Acer Incorporated, dichiara sotto la propria responsabilità che il prodotto sopra descritto è conforme alle pertinenti normative di armonizzazione dell'Unione, come le Direttive che seguono, e che sono state applicate le seguenti norme armonizzate e/o altre norme pertinenti:

**Direttiva EMC: 2014/30/UE**

<input checked="" type="checkbox"/> EN55032:2012/AC:2013 Classe B	<input checked="" type="checkbox"/> EN 55024:2010
<input checked="" type="checkbox"/> EN55032:2015/AC:2016 Classe B	<input checked="" type="checkbox"/> EN61000-3-3:2013
<input checked="" type="checkbox"/> EN61000-3-2:2014 Classe D	

**Direttiva LVD: 2014/35/UE**

<input checked="" type="checkbox"/> EN 60950-1:2006 / A11:2009 / A1:2010 / A12:2011 / A2:2013
---

**Direttiva RoHS: 2011/65/UE**

<input checked="" type="checkbox"/> EN 50581:2012
---

**Direttiva ErP: 2009/125/CE**

<input checked="" type="checkbox"/> Regolamento (CE) numero 1275 / 2008; EN 50564:2011
--

Anno per iniziare l'apposizione della marcatura CE: 2019.

**RU Jan / Senior Manager**  
**Acer Incorporated (Taipei, Taiwan)**

**May 22, 2019**

**Data**



**Acer Incorporated**  
8F, 88, Sec. 1, Xintai 5th Rd., Xizhi  
New Taipei City 221, Taiwan

## Conformiteitverklaring

Wij,

**Acer Incorporated**

8F, 88, Sec. 1, Xintai 5th Rd., Xizhi, New Taipei City 221, Taiwan

En,

**Acer Italy s.r.l.**

Via Lepetit, 40, 20020 Lainate (MI) Italy

Tel: +39-02-939-921, fax: +39-02 9399-2913

www.acer.it

<b>Product:</b>	<b>LCD-monitor</b>
<b>Handelsnaam:</b>	<b>ACER</b>
<b>Modelnummer:</b>	<b>X35</b>
<b>SKU-nummer:</b>	<b>X35        xxxxxx</b>

("x" = 0~9, a ~ z, A ~ Z, of leeg)

Wij, Acer Incorporated, verklaren hierbij onder exclusieve verantwoordelijkheid dat het hierboven beschreven product voldoet aan de relevante wetten op harmonisering in de Unie zoals in de onderstaande Richtlijn en dat de geharmoniseerde normen en/of andere relevante standaarden werden toegepast:

**EMC-richtlijn: 2014/30/EU**

<input checked="" type="checkbox"/> EN55032:2012/AC:2013 Klasse B	<input checked="" type="checkbox"/> EN 55024:2010
<input checked="" type="checkbox"/> EN55032:2015/AC:2016 Klasse B	<input checked="" type="checkbox"/> EN61000-3-3:2013
<input checked="" type="checkbox"/> EN61000-3-2:2014 Klasse D	

**LVD-richtlijn: 2014/35/EU**

<input checked="" type="checkbox"/> EN 60950-1:2006/A11:2009/A1:2010/A12:2011/A2:2013
---

**RoHS-richtlijn: 2011/65/EU**

<input checked="" type="checkbox"/> EN 50581:2012
---

**ErP-richtlijn: 2009/125/EG**

<input checked="" type="checkbox"/> Verordening (EG) nr. 1275/2008; EN 50564:2011
---

Jaar om de CE-markering te beginnen aanbrengen: 2019.

**RU Jan / Sr. Manager**  
**Acer Incorporated (Taipei, Taiwan)**

**May 22, 2019**

**Date**



**Acer Incorporated**  
8F, 88, Sec. 1, Xintai 5th Rd., Xizhi  
New Taipei City 221, Taiwan

## Declaração de Conformidade

Nós,

**Acer Incorporated**

8F, 88, Sec. 1, Xintai 5th Rd., Xizhi, New Taipei City 221, Taiwan

E,

**Acer Italy s.r.l.**

Via Lepetit, 40, 20020 Lainate (MI) Italy

Tel: +39-02-939-921 ,Fax: +39-02 9399-2913

www.acer.it

<b>Produto:</b>	<b>Monitor LCD</b>
<b>Designação comercial:</b>	<b>ACER</b>
<b>Número do modelo:</b>	<b>X35</b>
<b>Número SKU:</b>	<b>X35        xxxxxx;</b>
	<b>(“x” = 0~9, a ~ z, A ~ Z, ou espaço em branco)</b>

Nós, Acer Incorporated, sob nossa inteira responsabilidade, que o produto acima descrito está conforme a legislação de harmonização relevante da União, e que a Diretiva infra, e seguintes normas harmonizadas e/ou outras normas relevantes foram aplicadas:

**Diretiva CEM: 2014/30/UE**

<input checked="" type="checkbox"/> EN55032:2012/AC:2013 Classe B	<input checked="" type="checkbox"/> EN 55024:2010
<input checked="" type="checkbox"/> EN55032:2015/AC:2016 Classe B	<input checked="" type="checkbox"/> EN61000-3-3:2013
<input checked="" type="checkbox"/> EN61000-3-2:2014 Classe D	

**Diretiva LVD: 2014/35/UE**

<input checked="" type="checkbox"/> EN 60950-1:2006/A11:2009/A1:2010/A12:2011/A2:2013
---

**Diretiva RSP: 2011/65/UE**

<input checked="" type="checkbox"/> EN 50581:2012
---

**Diretiva ErP: 2009/125/CE**

<input checked="" type="checkbox"/> Regulamentação (CE) N°. 1275/2008; EN 50564:2011
--

Ano a começar a fixação da marca CE: 2019.

**RU Jan / Sr. Manager**  
**Acer Incorporated (Taipé, Taiwan)**

**May 22, 2019**

**Data**



Regulatory Compliance



c

u s

barcode

**MC.TG411.003**

P/N: 4J.45P01.071 (xx)