

THE DISPLAY CHOICE
OF PROFESSIONALS™

TX-32P LED-Backlit Touch Display

User Manual

www.agneovo.com

Table Of Contents

| | |
|--|-----------|
| SAFETY INSTRUCTIONS..... | 3 |
| WHAT'S IN THE BOX..... | 4 |
| Package Contents | 4 |
| MOVING THE DISPLAY..... | 5 |
| Carrying the Display..... | 5 |
| Setting Down the Display | 5 |
| Placing the Display | 5 |
| MOUNTING THE DISPLAY | 6 |
| Adjusting Directions..... | 6 |
| Wall Mount Specifications..... | 7 |
| Flat Wall Installation | 8 |
| SETTING UP THE DISPLAY | 9 |
| Connectors | 9 |
| Control Buttons..... | 10 |
| Connecting the Power Cable..... | 11 |
| Using the Touch Screen | 12 |
| CONNECTING TO THE DISPLAY | 13 |
| Connecting External Equipment:Video Devices..... | 13 |
| Connecting to External Equipment:A PC | 14 |
| THE REMOTE CONTROL..... | 16 |
| Remote Control Buttons..... | 16 |
| Using the Remote Control | 17 |
| OSD Setting Menu..... | 18 |
| MAINTENANCE..... | 20 |
| Reducing Image Burn-in..... | 20 |
| PRODUCT SPECIFICATIONS..... | 21 |
| TROUBLESHOOTING..... | 22 |

SAFETY INSTRUCTIONS

Please carefully read through and keep the following instructions for future reference before using the display.

- Please follow the display's user manual's instructions.
- Make sure to check that the local power supply complies with the display's power requirements
- Do not block the ventilation pores on the rear of display and ensure there is enough space around the display to allow for heat dissipation.
- Do not open the rear cover. Damage caused by improper use is not covered by warranty.
- Our company's software products are copyrighted. Do not copy without authorization.
- Overexposure to direct sunlight can cause damage over time and a strong reflection will disturb the user's experience when viewing content on the display.
- Do not install near any heat source, such as radiators, heaters, stoves or any other products that may generate heat (including sound amplifiers).
- Do not install the display on platforms or carts that are unstable, slanted or shaky. It may cause the display to fall, injuring people around it and damaging the display itself. We suggest consulting with professionals in the securing of the display.
- Always comply with all warnings and instructions labels on the display.
- Do not install the display in a confined environment.
- If you wish to mount the display in a recessed TV wall mount, make sure to leave enough space around the display to ensure good ventilation and to avoid operation at an abnormal temperature.
- Avoid excessive pressure or temperature changes as special liquid-crystal material in the display may result in cracks, scratches or damage.
- When the display's power is on, do not cover or block any of the display's ventilation pores. It is suggested to periodically clean the display's ventilation pores to ensure heat dissipation.
- Keep candles or other flammable items away from the display to avoid risks of fire.
- Do not stick your finger or other objects in-between the display and its stand base or its neighboring area in order to avoid harming yourself or damaging the display.
- Do not press upon the display with too great a force so as to avoid damaging the product.
- ONLY USE accessories specified by the manufacturer.
- Never attempt to repair or open the display by yourself. Opening and removing the covers may expose you to dangerous voltage or other hazards. Failure to follow this WARNING may result in death or serious injury. Please contact your dealer or a service technician for assistance.
- Hold the display by the sides firmly with two people when carrying the display out of the box. Do not grasp the touch screen.

WHAT'S IN THE BOX

Package Contents

Check your product box for the following items. If there are any missing accessories, contact the local dealer where you purchased your display. The illustrations in this manual may differ from the actual product and item.



Display



Remote Control

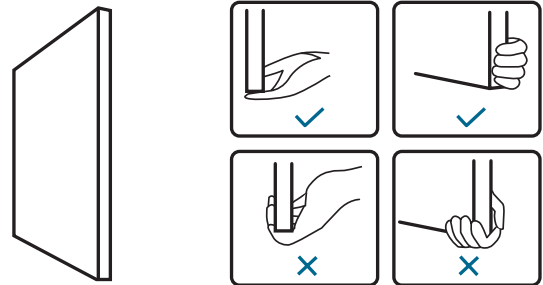


Power Cord

MOVING THE DISPLAY

Carrying the Display

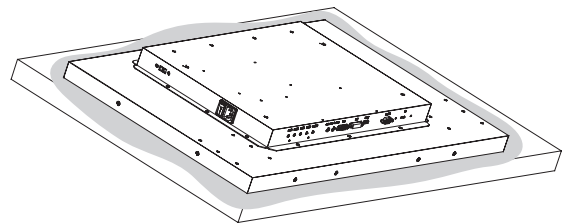
When carrying the display, always hold it at the right and left sides. Make sure the touch screen faces forward and hold it with both hands when lifting the display.



CAUTION: Avoid touching and applying stress with force using sharp objects on the LCD panel at all times.

Setting Down the Display

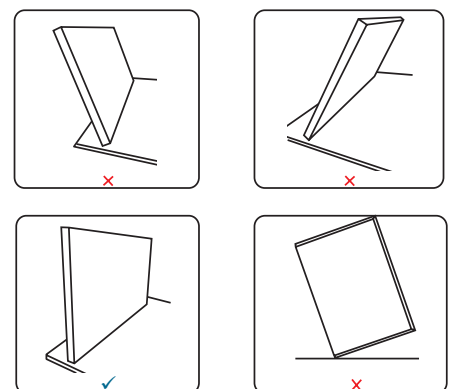
When setting the display down, place the screen face down on a flat and stable surface covered by a protective sheet and a table cushion as shown in the illustration provided.



CAUTION: Never press or place anything on the back cover. This may damage the internal parts of the display.

Placing the Display

When placing the display, keep the display upright. Never tilt the display towards the left, right or balanced on a single corner of the frame.



MOUNTING THE DISPLAY

Adjusting Directions

To avoid injuries, follow the installation instructions to safely install the display onto a wall. It is recommended to allow a certified installation company conduct the wall mounting operation.



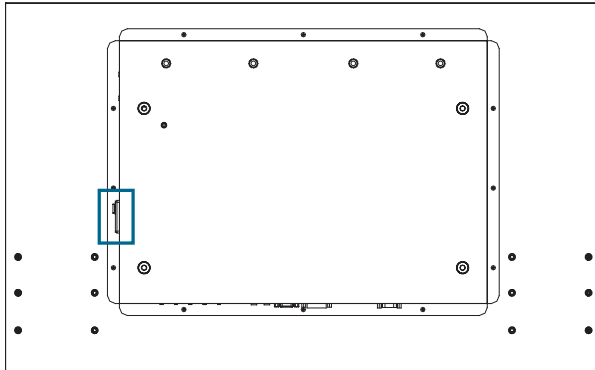
CAUTION: Dropping the display may cause injuries to people around it.



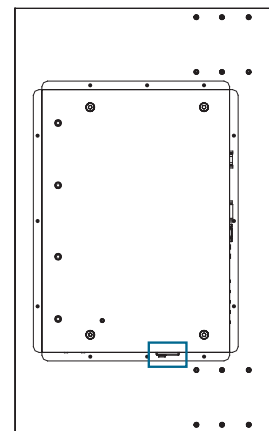
NOTE: A wall mount may be purchased separately for easier installation.

If you wish to use the display vertically or horizontally, adjust the display such that the main power switch on the back of the display is pointing leftward or downward (as illustrated below), if the display is not mounted in such a way the display may not function properly.

Horizontal usage



Vertical usage

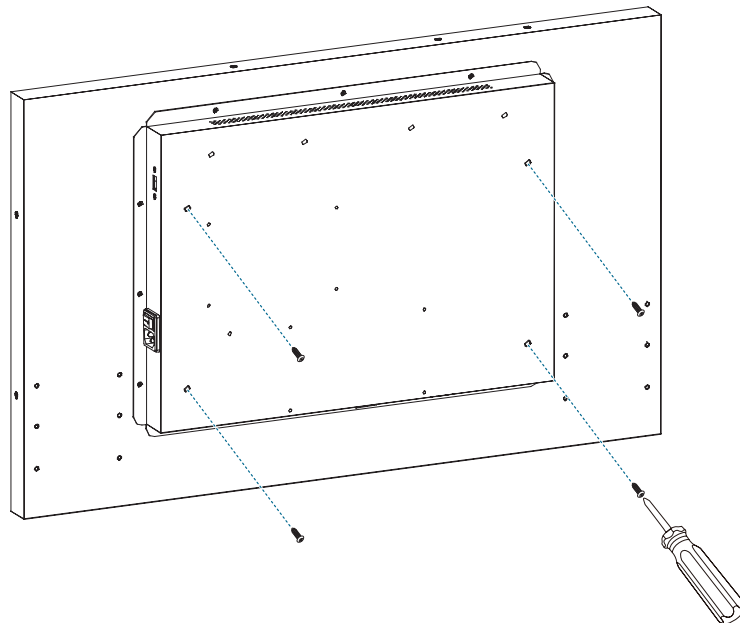
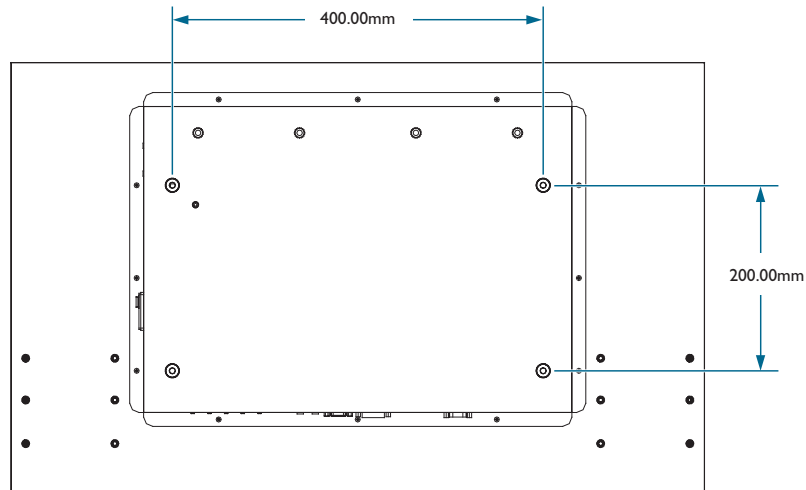


NOTE: Before mounting, make sure there is space to connect your devices. See “CONNECTING TO THE DISPLAY” on page 13”

Wall Mount Specifications

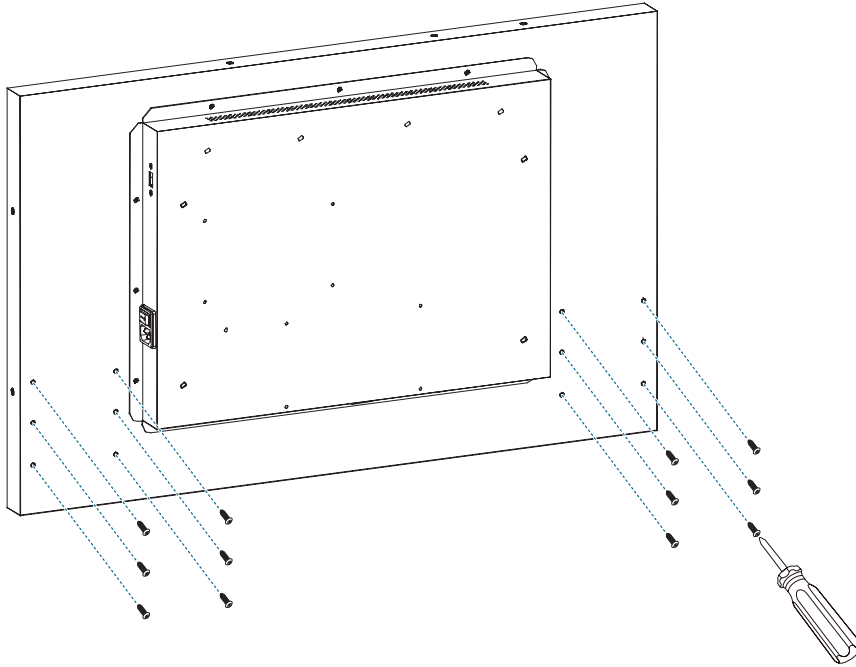
VESA MOUNTING

The back of the display is equipped with four screw-holes and matching taped holes, with a VESA dimension of 400mm x 200mm. Firmly secure a VESA mount onto the display using 4 M6 screws (maximum length: 10mm, maximum torque: 18 kgf.cm).



CUSTOM DESIGNED MOUNTING

This display also supports custom designed mounts with twelve screw-holes designed for custom designed mounts instead of the standard mounts. Firmly secure six screws on the left side and six screws on the right side onto the display using M4 screws (maximum length: 10mm, maximum torque: 12 kgf.cm).

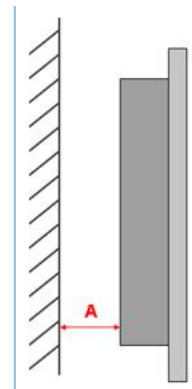


NOTE: Custom designed mounts are sold separately. You can obtain additional accessories from your local dealer.

Flat Wall Installation

Installation on a Flat Wall (Minimum Distance: 40mm)

When installing the display on a wall face, there has to be at least 40mm of space between the display and the wall for ventilation purposes.

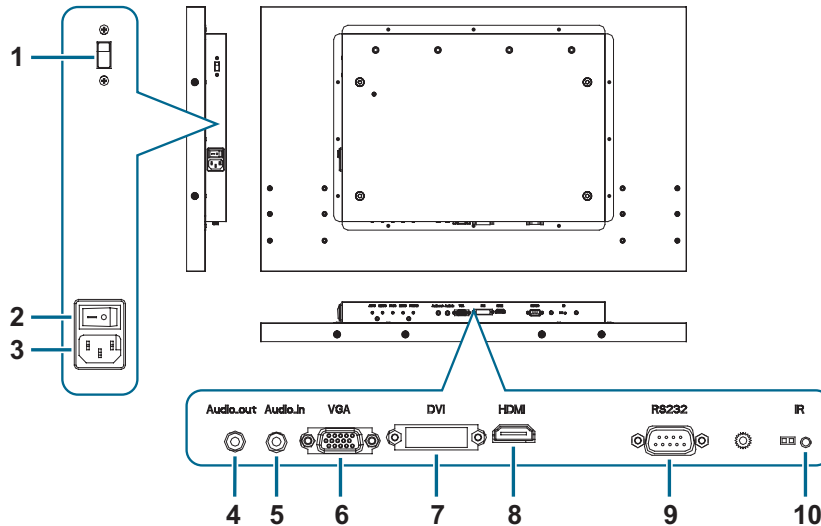



NOTE: To prevent glare when used in a location with strong sunlight, it is recommended to add a cover over the display.

SETTING UP THE DISPLAY

Connectors

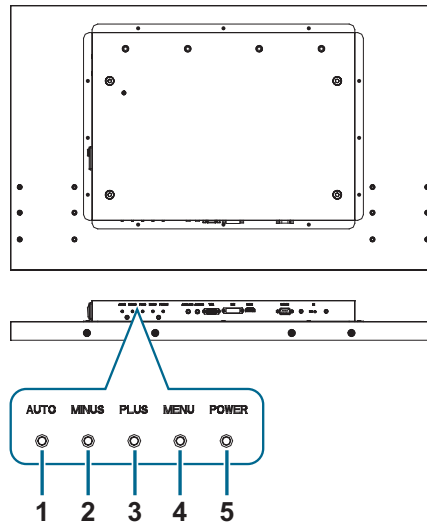
The following image and table show the location of the connectors and the different connections available.



| Item | Description |
|--|--|
| 1 | USB Touch Port Connects with a host computer using a USB cable for touch screen support. |
| 2 | Power Switch Switches the main power on/off. |
| 3 | AC-IN Connects with the supplied power cord. |
| 4 | Audio Out Outputs the audio that is supplied by the video source. Connects with an external audio amplifier, etc. |
|  NOTE: Headphones and earphones are not supported. | |
| 5 | Audio In Connects with the audio out connector of a video source such as a computer, VCR, or DVD player when the display is connected to the source via the VGA or DVI connector. |
| 6 | VGA Connects with the analog video output (VGA) of a computer. |
| 7 | DVI Connects with the digital video output of a computer, etc. |
| 8 | HDMI Connects with devices supporting audio/video data using the HDMI interface. |
| 9 | RS232 Connects with the serial IO connector of another device. |
| 10 | IR Sensor Receives the signal from the remote control. |

Control Buttons

The following image and table identifies the functions of the control buttons. You can also control the display via the remote control buttons. See “THE REMOTE CONTROL” on page 16.



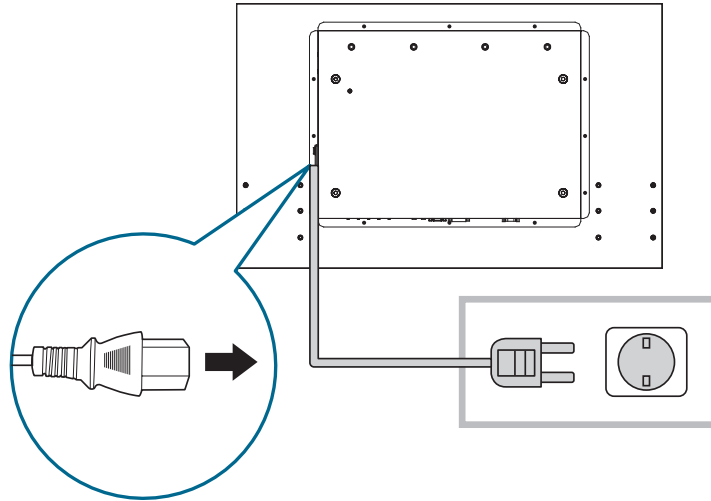
| Item | Description |
|---------|---|
| 1 AUTO | Automatically selects the video input source when the OSD menu is off, or exits the current menu when the OSD menu is on. |
| 2 MINUS | Decreases the display's volume. |
| 3 PLUS | Increases the display's volume. |
| 4 MENU | Displays the On Screen Display (OSD) menu. |
| 5 POWER | Turns the power on/off. |



NOTE: This button does not work when the power switch is off.

Connecting the Power Cable

1. Connect the power cord to the display.
2. Fully insert the plug into the power outlet socket.

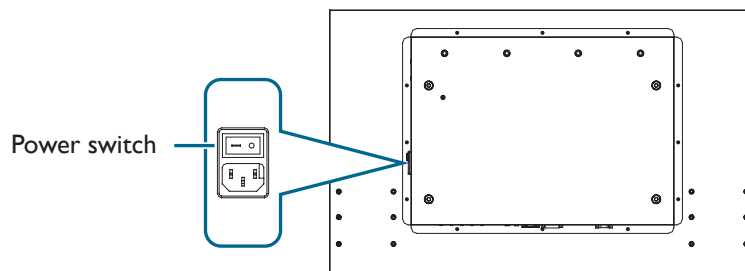


CAUTION: Loose connections may cause noise. Do not plug and unplug the power cord repeatedly in a short period of time.



NOTE: The supplied power cord varies depending on the country where you purchased this apparatus. For all cases, use a power cord that matches the AC voltage of the power outlet and has been approved by and complies with the safety standard of your country.

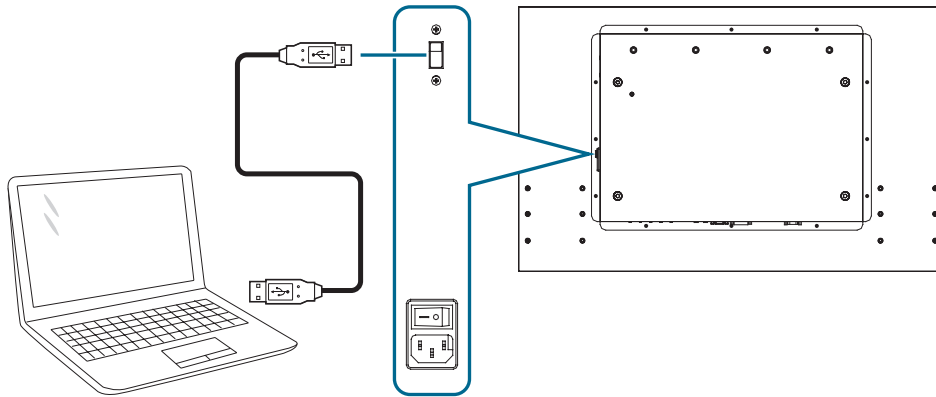
3. Turn on the Power Switch.



CAUTION: When disconnecting the AC power cord, be absolutely sure to first disconnect the plug from the outlet socket.

Using the Touch Screen

LCD display has touch screen functionality which allows you to connect a computer to the display and control the computer's interface via touch gestures on the display. To use this touch screen function, connect the USB cable to the USB port of the display and a computer. After completing the driver installation, you can operate the computer by tapping, swiping, or scrolling the display.



NOTE: The touch driver will be installed automatically for the systems running Microsoft Windows 7, Windows 8, Windows 10, Linux 2.6/3.6, Mac OS, OSX, and Android (2.3 or above).



NOTE: Certain touch gestures, such as zoom-in, zoom-out and rotate, may not work depending on the application or software your computer supports.



NOTE: This USB port works only for the touch screen functionality and does not support the external USB devices, such as MP3, printer, and hard drive etc.

CONNECTING TO THE DISPLAY

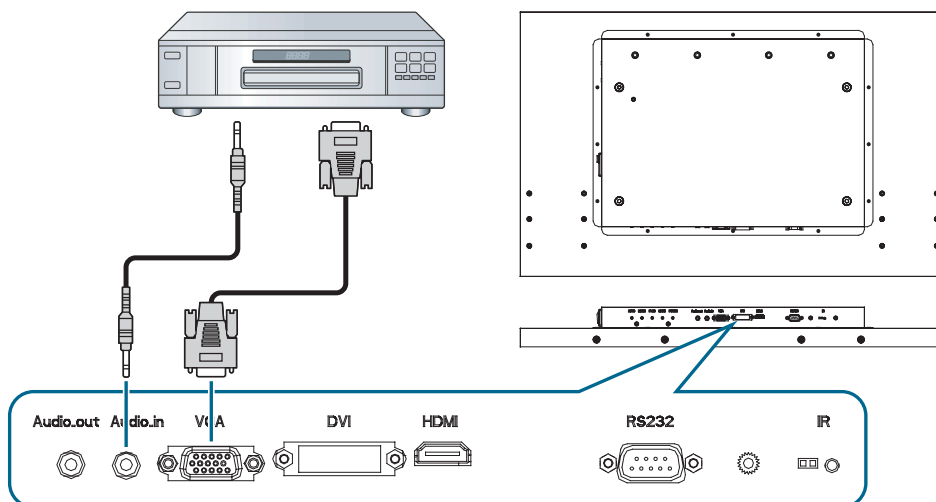


NOTE: Before making connections, make sure that the power for all the connected equipment is off.

Connecting External Equipment: Video Devices

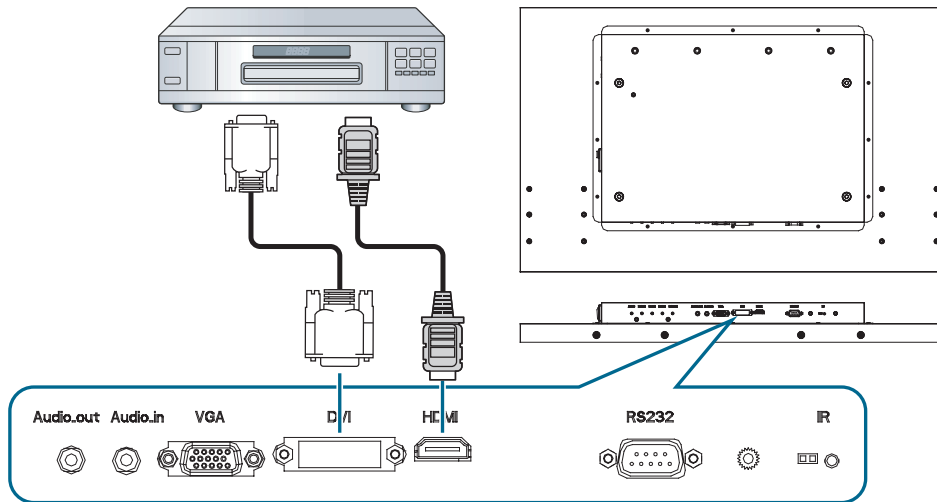
ANALOG CONNECTION

1. Connect a D-SUB cable to the VGA connector and connect an audio cable to the AUDIO IN connector.
2. Press the [**SOURCE**] button of the remote control to select the video input source (D-SUB). Once selected, the audio input setting will automatically switch to [PC].



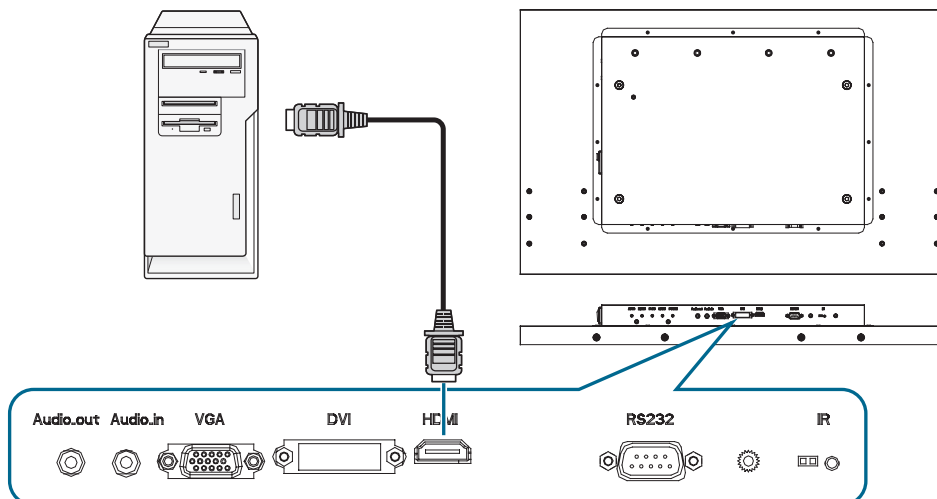
DIGITAL CONNECTION

1. For HDMI connections: Connect an HDMI cable to the HDMI connector.
For DVI connections: Connect a DVI cable to the DVI connector and connect an audio cable to the AUDIO IN connector.
2. Press the [**SOURCE**] button on the remote control to select the video input source (HDMI or DVI). Once selected, the audio input setting will automatically switch to the correct audio source for the video connection.

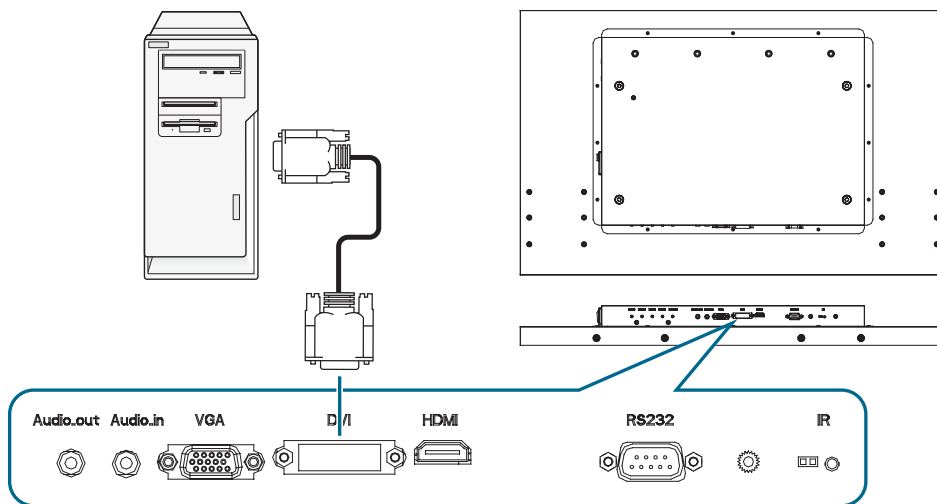


Connecting to External Equipment: A PC

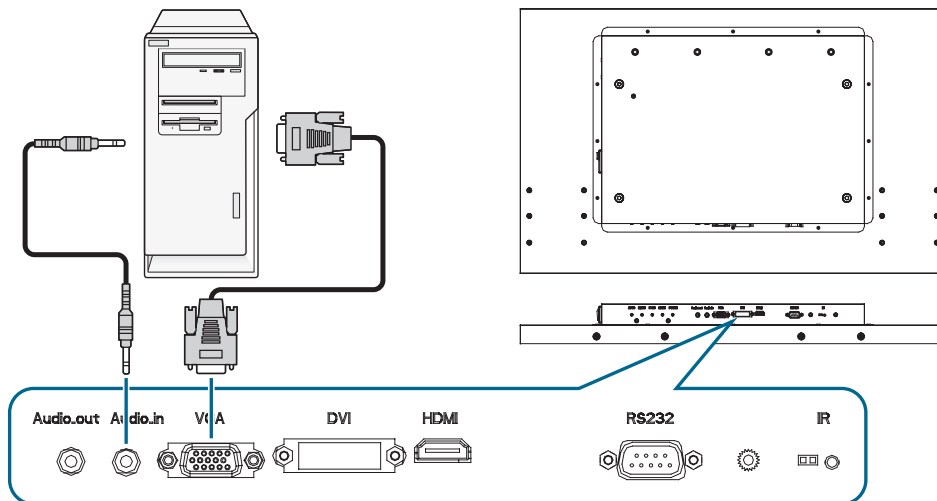
USING THE HDMI PORT



USING THE DVI PORT



USING THE VGA PORT



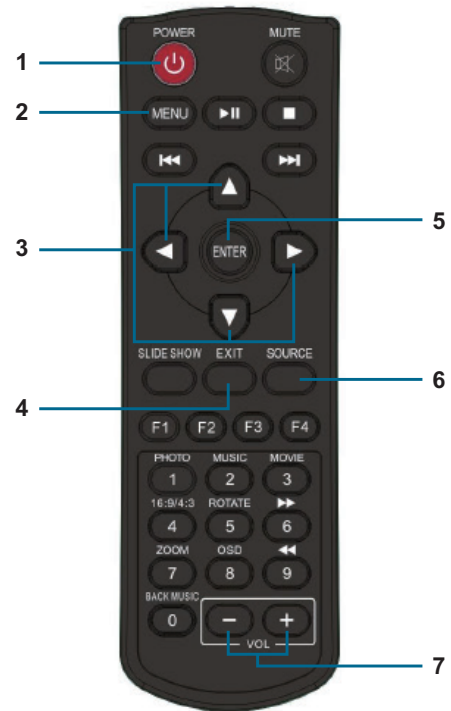
NOTE: Once connected, press the [SOURCE] button to set the video input according to the type of connection made.

THE REMOTE CONTROL

Remote Control Buttons

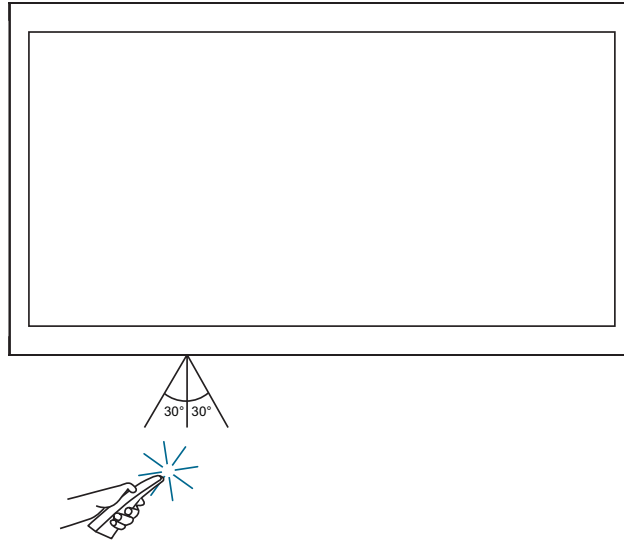
The remote control is the primary way to access and control the display. The following table identifies the functions of the remote control buttons.

| Button | Description |
|---|--|
| 1 POWER | Switches the power on/off. When the power indicator is not lit, no controls will work. |
| 2 MENU | Displays the OSD menu. (See “OSD Setting Menu” on page 18). |
| 3 [▲] / [▼] / [◀] / [▶] UP/DOWN/LEFT/ RIGHT | Moves the selection in the OSD menu. |
| 4 EXIT | Exits the current Menu |
| 5 ENTER | Accepts the settings made in the OSD menu. |
| 6 SOURCE | Switches the video input source. Use the [▲] or [▼] buttons to directly select [HDMI], [DVI], [VGA]. |
| 7 VOLUME | Adjusts the display’s volume. [+] increase [-] decrease |



Using the Remote Control

Point the infrared remote control toward the display's remote control sensor when operating the remote control. Ensure the remote control is aimed at the correct location where the IR sensor is located. Use the remote control within a distance of less than 3m/9.84ft from the IR sensor, and a horizontal and vertical angle of less than 30 degrees.



NOTE: The display's remote control sensor is located at the rear of the display.



NOTE: Even when the remote control is pointed at the front of the display and within the correct range of the sensor, there is a chance that environmental conditions may affect the proper functioning of the remote control.



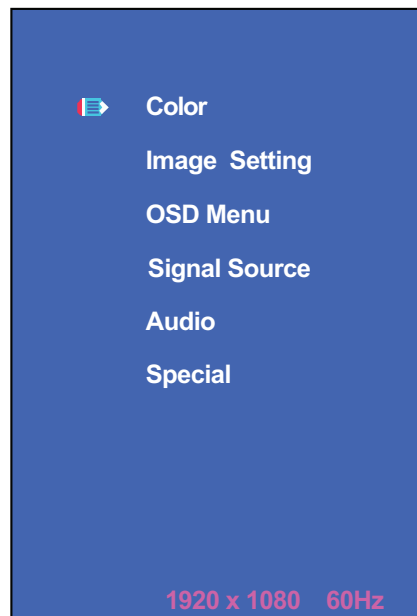
NOTE: If the remote control is not working, replace the batteries with new ones and make sure that they are correctly inserted: Place two 1.5V AAA batteries matching the (+) and (-) signs to the (+) and (-) indications of the battery compartment.

OSD Setting Menu

This LCD display is equipped with an OSD (On Screen Display) menu for easy adjustment of the display's settings.

The OSD menu can be accessed by using the remote control.

1. Press the [**MENU**] button to display the OSD menu.
2. Press the [**▲**] or [**▼**] button to choose the sub-menu items and press the [**ENTER**] button.
3. In the sub-menu, press the [**◀**] or [**▶**] button to select the settings you want to adjust. If there is a sub-list under the sub menu, press the [**ENTER**] button again to enter the sub-list.
4. Press the [**EXIT**] button to return to the previous menu, or press the [**MENU**] button to exit the OSD menu.



The tables below list the initial OSD functions in the main menu screen. For more detailed options, check the on-screen menu provided by the display.

MAIN MENU:

- COLOR (Adjusts the display color settings)
 - Contrast Adjusts the contrast of the display (0/100)
 - Brightness Adjusts the brightness of the display (0/100)
 - Color Adjust Adjusts the color of the display (Red/Green/Blue)
 - Color Temp Adjusts the color temperature of the display (9300 /6500/5800/sRGB/USER)

- **IMAGE SETTING** (Adjusts the display image settings)
 - Clock Adjusts the time of the internal clock
 - Phase Adjusts the frequency phase of the display (0/100)
 - Sharpness Adjusts the picture sharpness of the display (0/4)
 - H Position Adjusts the picture along the horizontal axis (0/100)
 - V Position Adjusts the picture along the vertical axis (0/100)

- **OSD MENU** (Adjusts the OSD Menu parameters)
 - OSD H Pos. Moves the position of the OSD Menu horizontally (0/100)
 - OSD V Pos. Moves the position of the OSD Menu vertically (0/100)
 - OSD Timer Changes the OSD Menu timer settings (0/30) where the number selected for this setting equals the number of seconds the OSD menu is displayed before it automatically closes (if 0 is selected the OSD menu will not automatically close)
 - Language Chooses the OSD Menu language from the following options: English / French / German / Spanish / Traditional Chinese / Simplified Chinese / Japanese
 - Anti Burn In Triggers the screen saver function (if ON is selected the display will automatically turn off for 30 minutes and turn back on for 30 minutes)(ON/OFF)

- **SIGNAL SOURCE** (Adjusts the signal input of the display)
 - D-SUB Selects to connect the display to the D-SUB
 - DVI Selects to connect the display to the DVI
 - HDMI Selects to connect the display to the HDMI
 - Auto Search Auto searches for a signal connection to the display (ON/OFF)

- **AUDIO** (Adjusts the sound settings)
 - Volume Adjusts the volume from (0/16)
 - Mute Mutes or unmutes the audio (ON/OFF)
 - Audio Select Chooses an audio source (HDMI/PC)

- **SPECIAL** (Designates screen parameters)
 - Aspect Ratio Adjusts the aspect ratio of the display (OFF = Original size / ON = Full Screen)
 - Reset Resets the display to its factory default
 - Auto Automatically resets the horizontal position, vertical position, frequency and phase for VGA source
 - Monitor Id Sets a unique 2-digit number for the display (1/16)

MAINTENANCE

Reducing Image Burn-in

When a static image is displayed on the screen for a long uninterrupted period of time, image burn-in might occur causing the image quality of the display to be degraded.

To reduce burn-in damage to the screen, it is recommended that either enable the screen saver function, or turn off the display when it is not in use for long period of time. The screen-saver function works by displaying a set of dots on a random region of the screen for several seconds then switching the position of the dots, and then repeating this process for 30 minutes.

To enable the screen saver function, use the remote control to access the Main Menu and select **OSD Menu > Anti Burn In > On**.



NOTE: When the screen saver function is enabled, the function will work a continuous 30-minute on-then-off loop until it is disabled.

PRODUCT SPECIFICATIONS

| Item | TX-32P |
|------------------------------------|---|
| Display | |
| Resolution (Pixel) | 1,920(H)x1,080(V) |
| Typical Contrast Ratio (Typ.) | 3000:1 |
| Aspect Ratio | 16:9 |
| Brightness (cd/m ²) | 380 |
| Vertical Viewing Angle (degrees) | 85 |
| Horizontal Viewing Angle (degrees) | 85 |
| Typical Color gamut (%) | 72 |
| Color depth (colors) | 8 bit |
| Active Area (mm) | 698.4(H) x 392.85(V) |
| Dimensions | |
| Outline Dimension (mm) | 750.2 (L) x 466.8 (W) x 69.6 (D) |
| Border Width U/D/R/L (mm) | 34.9 / 34.9 / 23.8 / 23.8 |
| Weight | |
| Weight (kg) | 12.5 |
| I/O | |
| Basic I/O | VGA x 1; DVI x 1; HDMI x 1; RS232 x 1 |
| Audio | Audio In x 1; Audio Out x 1; Speaker x 2 (10W) |
| Output | USB 1.1 x 1 |
| Touch | |
| Touch Sensor | PCAP 10 points |
| Smallest Distance between 2 Points | Converging zoom: 9mm Vertical and Horizontal: 12mm Diagonal: 15mm / φ9 copper cylinder center to center |
| OS | Win 7 / Win 8 / Win 10; Linux 2.6/3.6; Mac OS; OSX; Android 2.3 and above |
| Power | |
| Power supply | AC 100V~240V (50/60Hz) |
| Power consumption (Watt) | 52W (Max) |
| Standby Power (Watt) | < 0.9 W |
| Environment | |
| Operation Temp (°C) | 0°C - 40°C |
| Storage Temp (°C) | -20°C - 60°C |
| Storage Humidity | 20% - 80% RH |
| Operating Humidity | 20% - 80% RH |
| Display Orientation | Landscape/Portrait |
| Usage (hrs/days) | 24/7 |
| Cover Glass | |
| Surface Treatment | Chemical Strengthening Glass |
| Transparency | 87±2% |
| Surface Hardness | 6H |

TROUBLESHOOTING

If there is no response from the display after plug-in:

1. Check if the power cord is properly installed.
2. Check whether the AC switch is turned on.

If power is indeed turned on, and the machine is operating but with no picture:

1. Verify that the source is properly installed.
2. Confirm that the input source matches the source connected to the display.
3. Check if the screen saver function is enabled (See “MAINTENANCE” on page 20).