



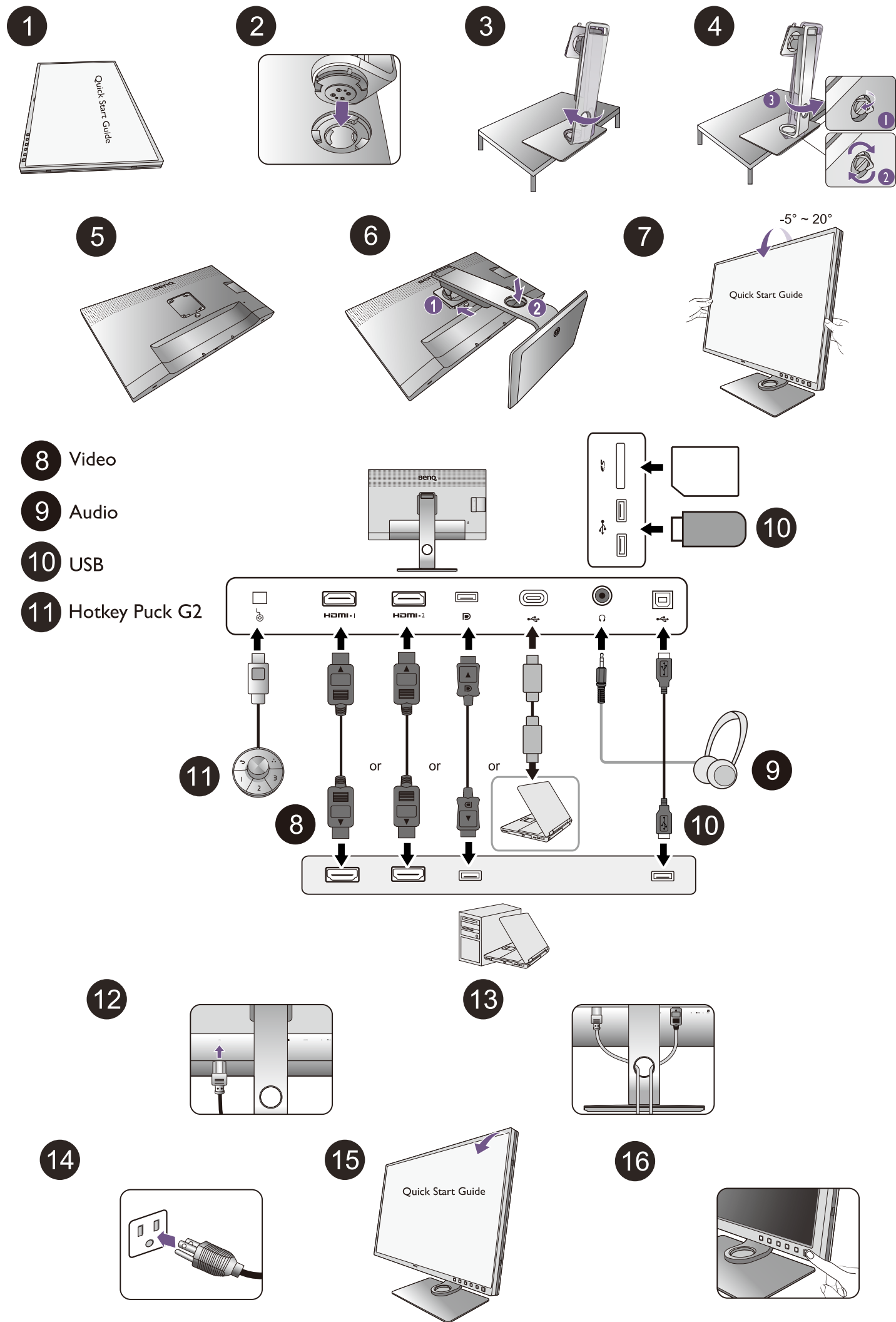
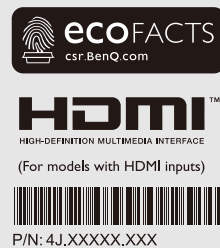
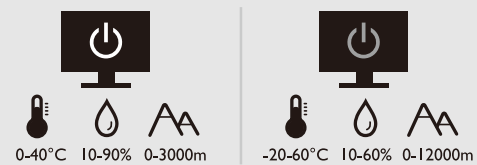
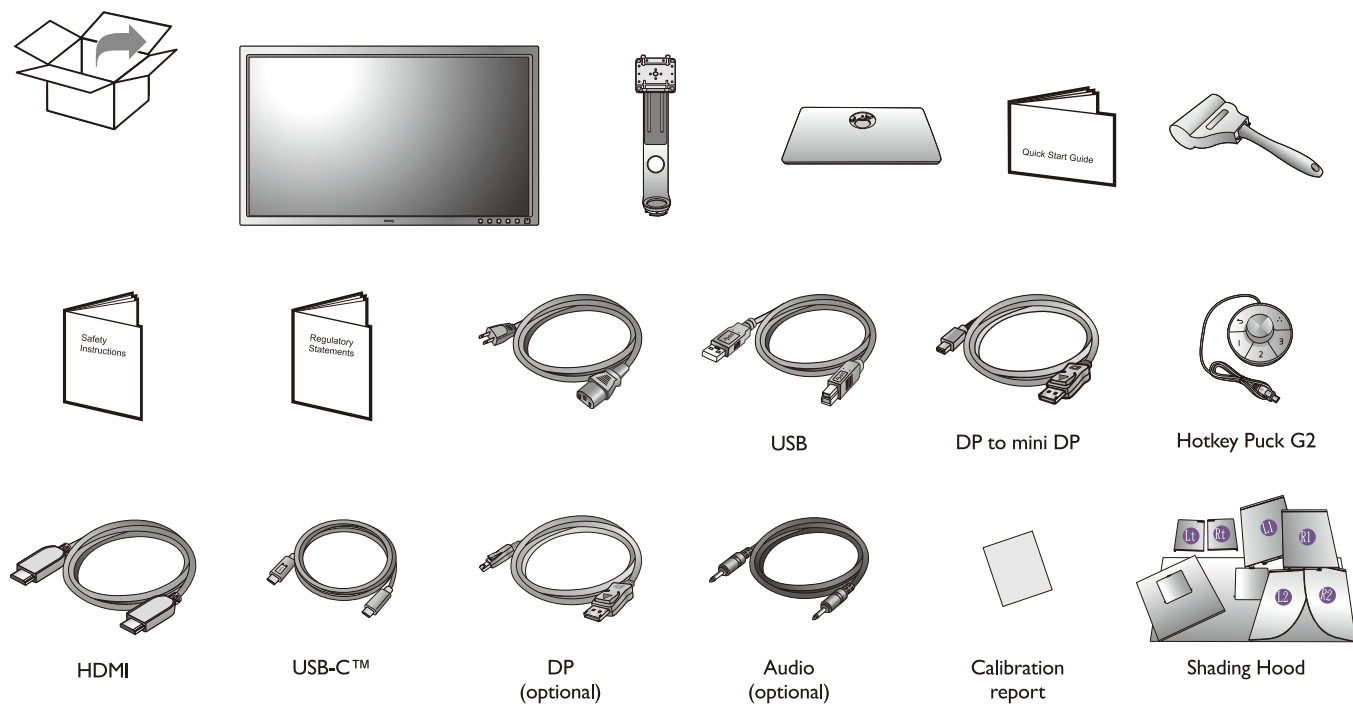
LCD Monitor Quick Start Guide

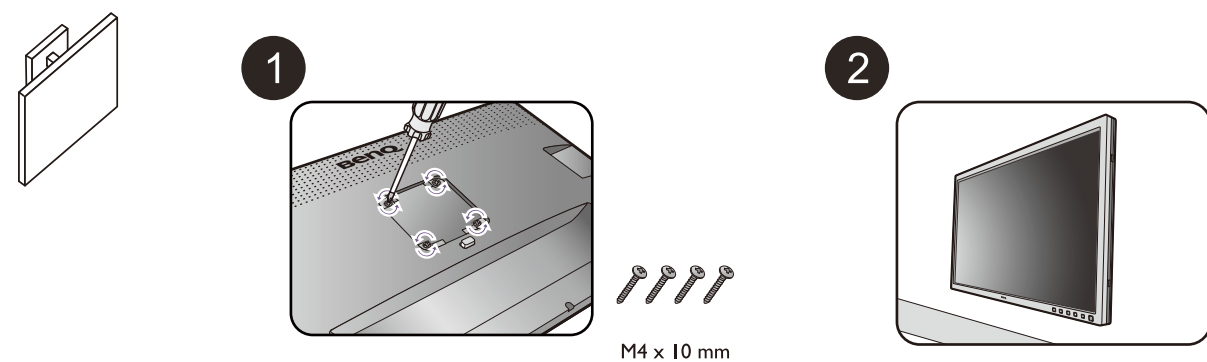
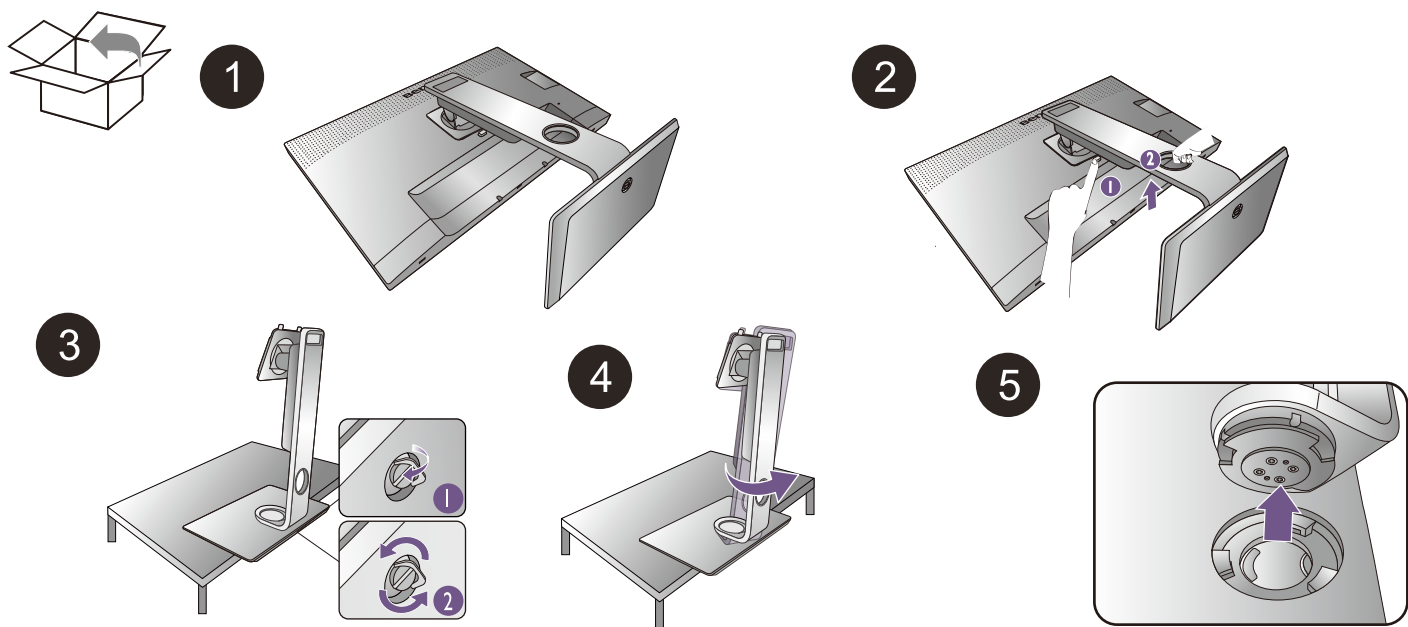
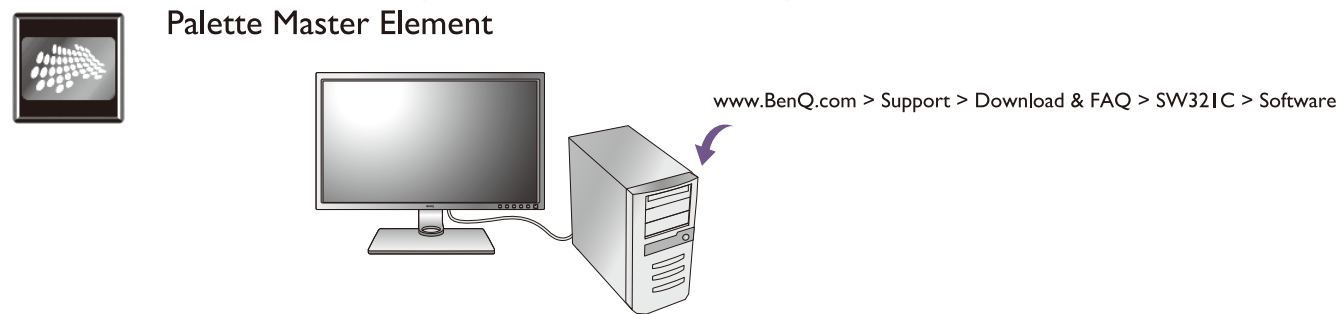
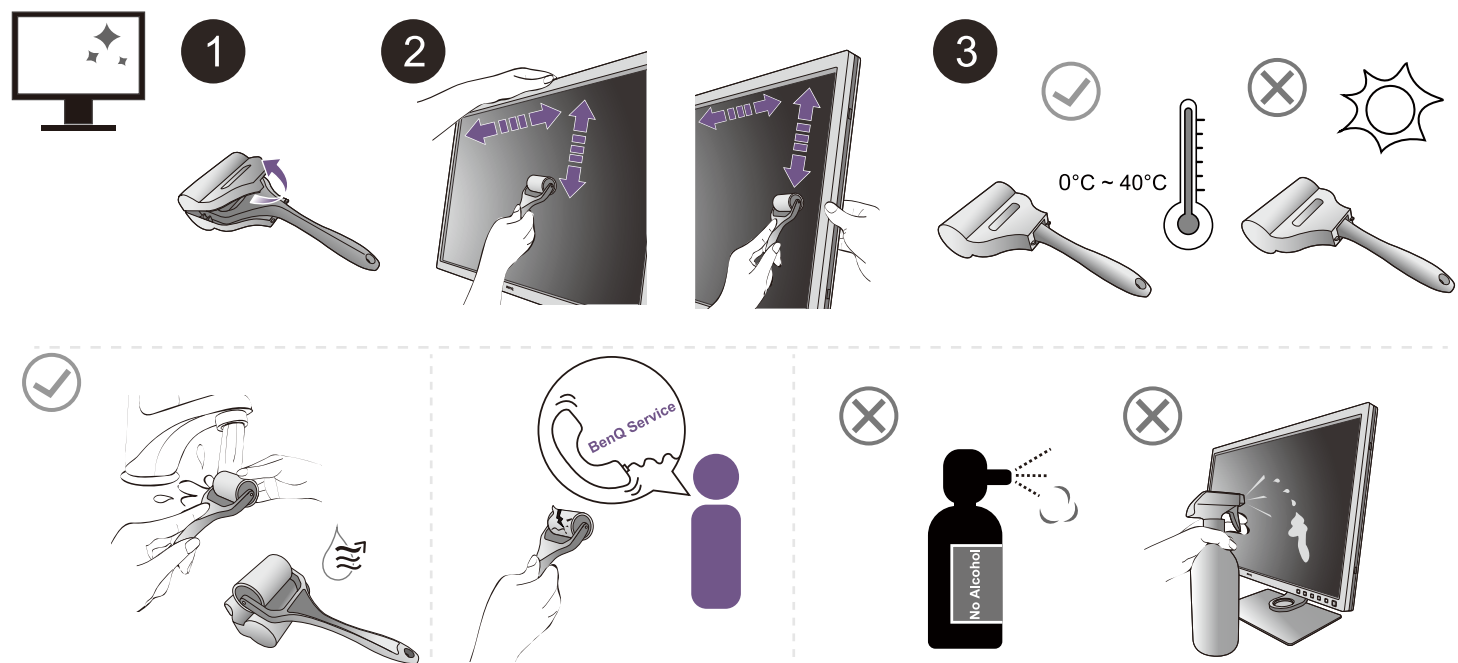
PhotoVue Photographer Monitor | SW Series



DN:SW321-EQ-V0

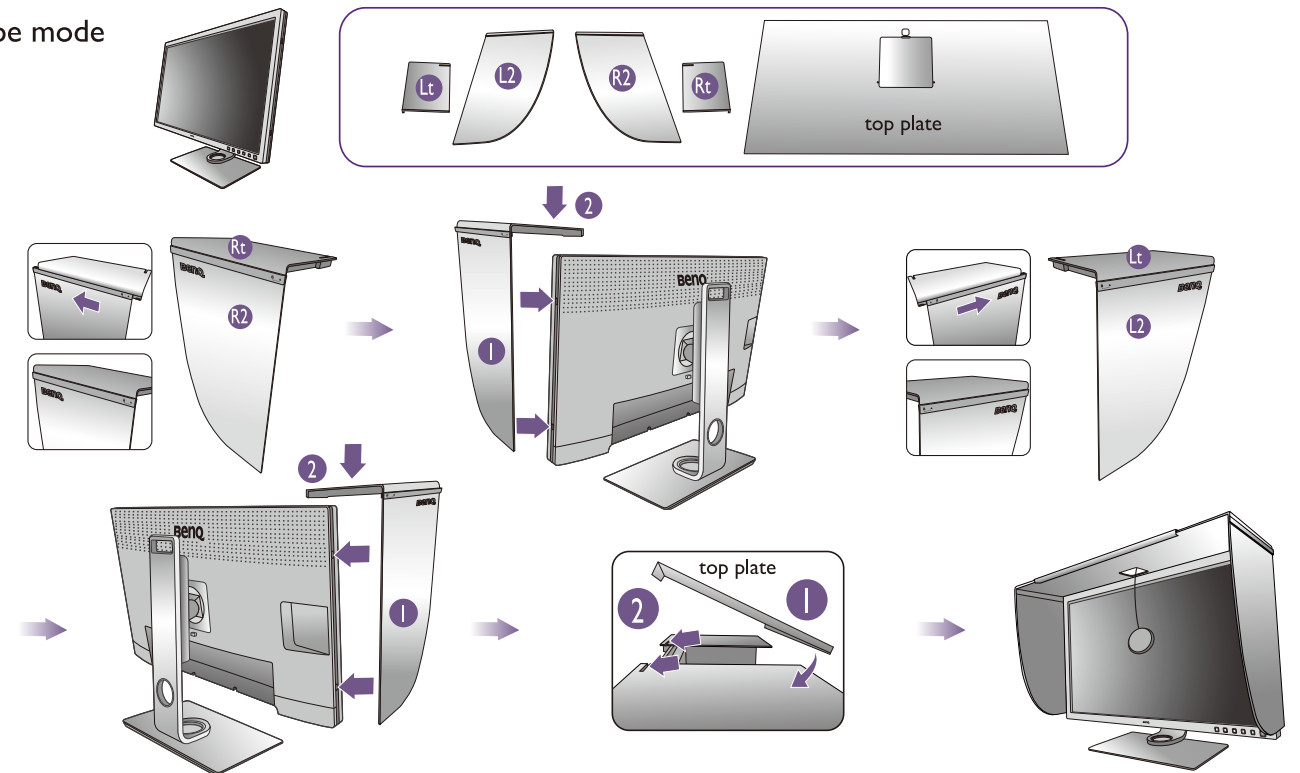
© 2020 BenQ Corporation. All rights reserved. Rights of modification reserved.



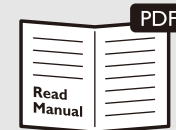
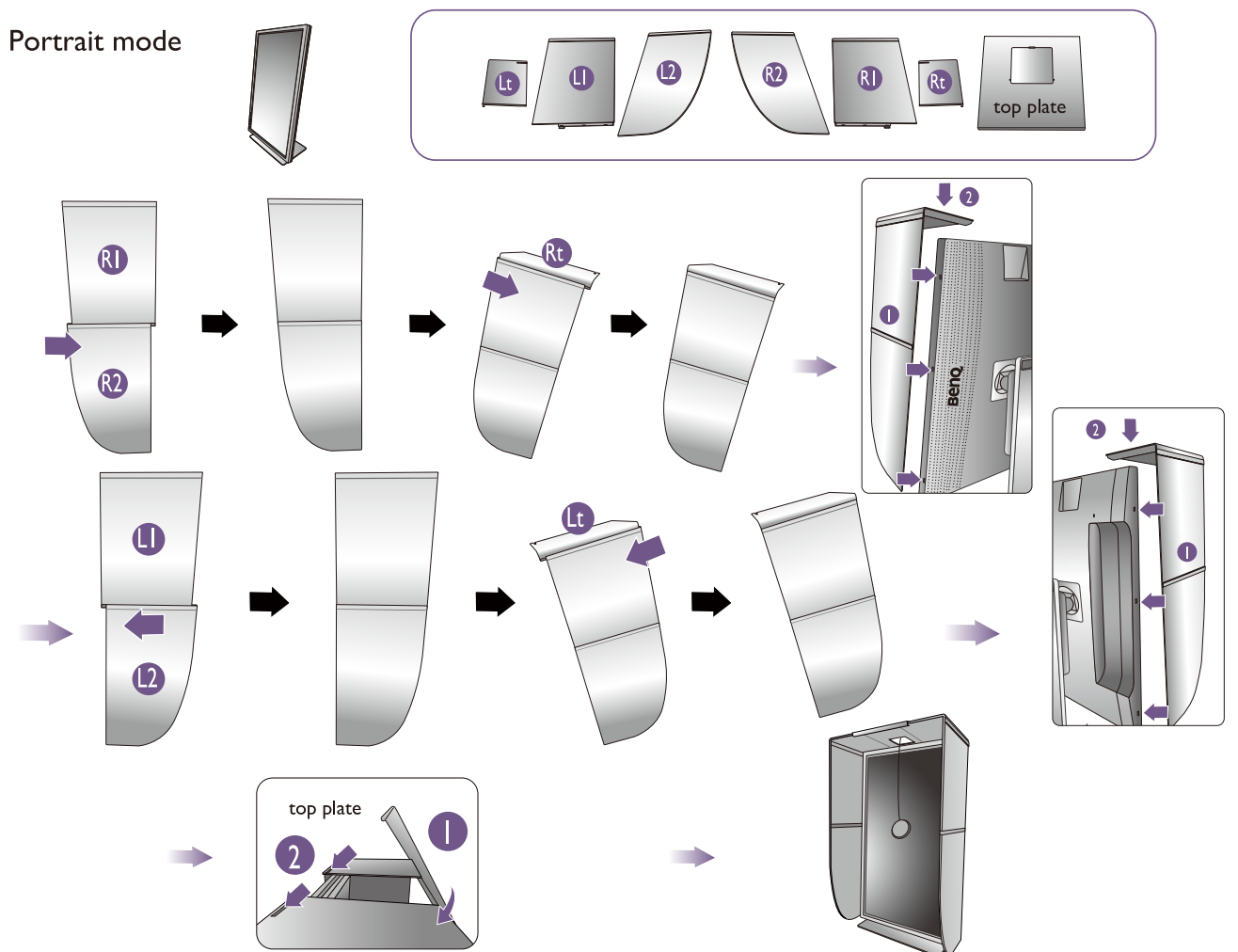


How to install the shading hood (optional step)

Landscape mode



Portrait mode



www.BenQ.com > Support > Download & FAQ > Model name > **User Manual**



For product support and more information.



Shading Hood



Hotkey Puck G2