



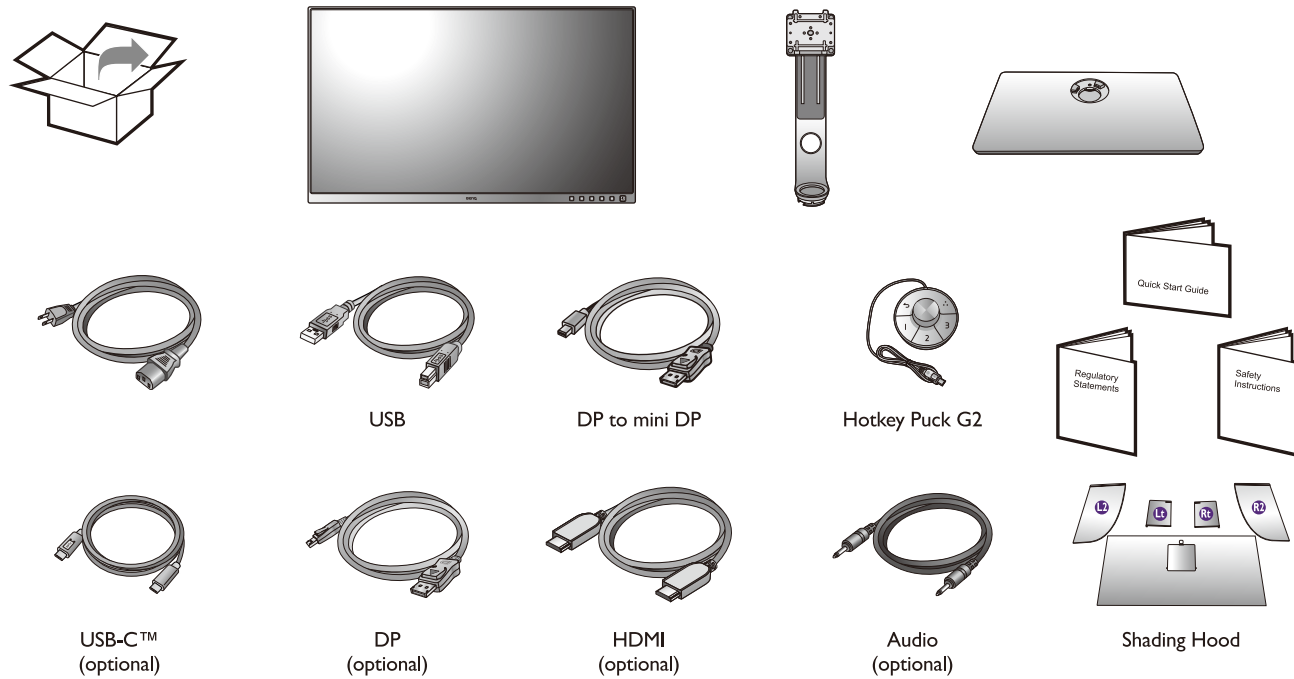
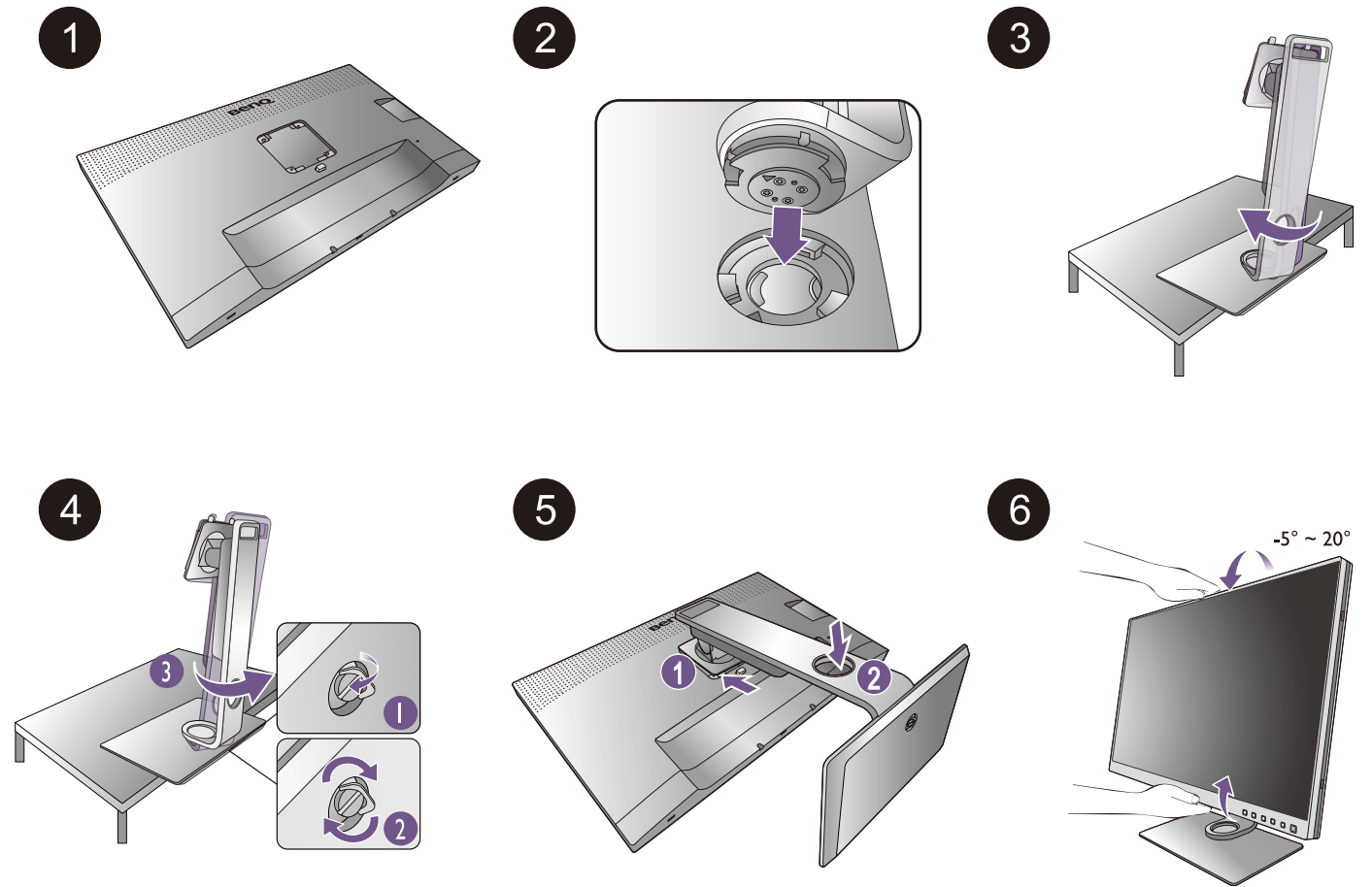
LCD Monitor Quick Start Guide

PhotoVue Photographer Monitor | SW Series

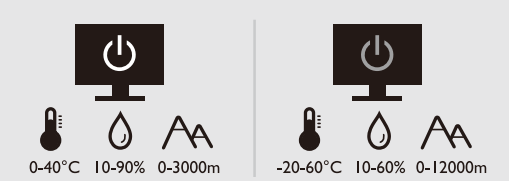
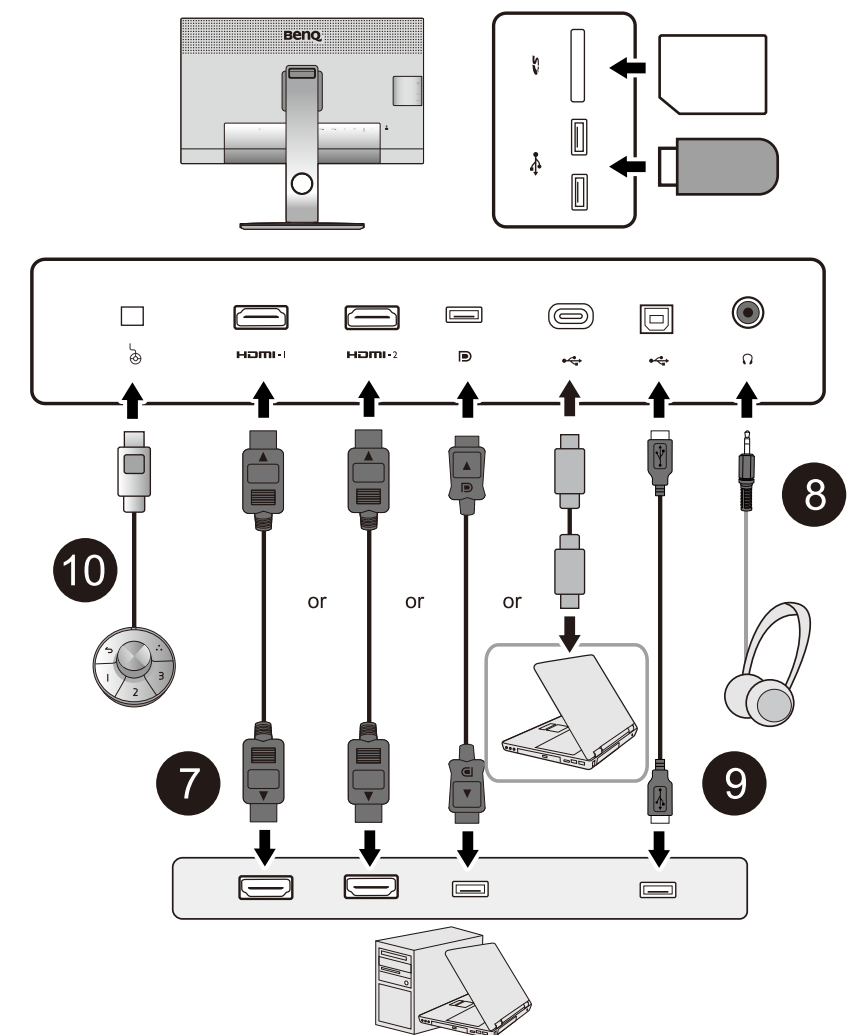


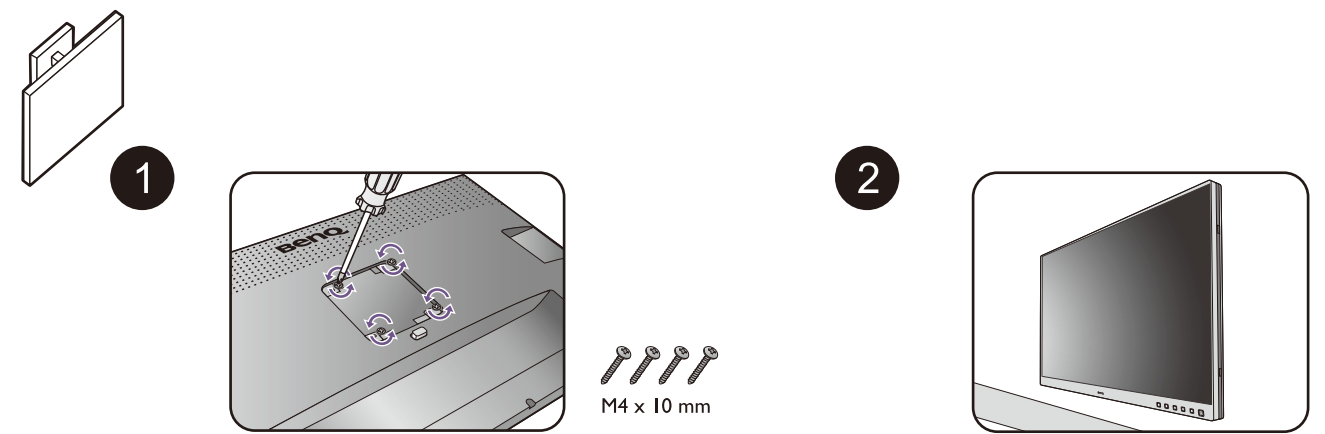
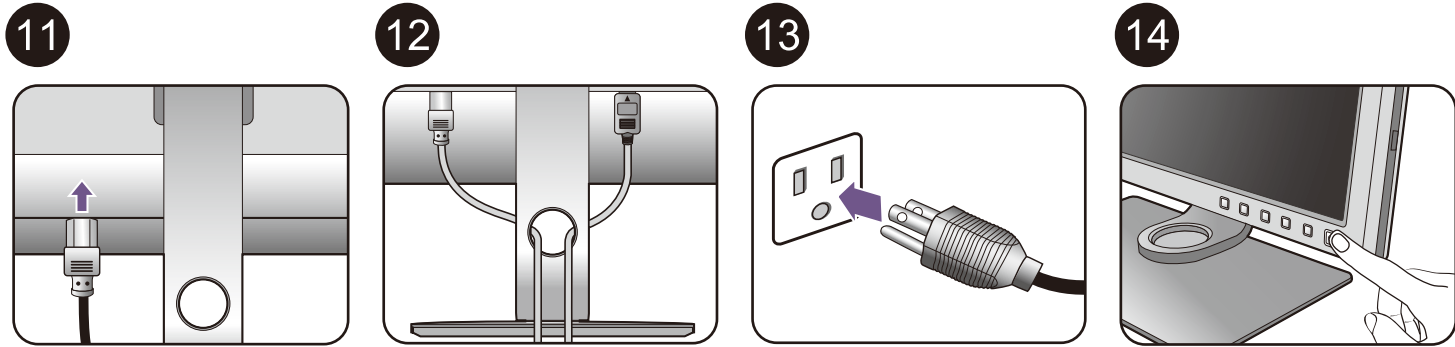
DN:SW270C-EQ-V1

© 2021 BenQ Corporation. All rights reserved. Rights of modification reserved.



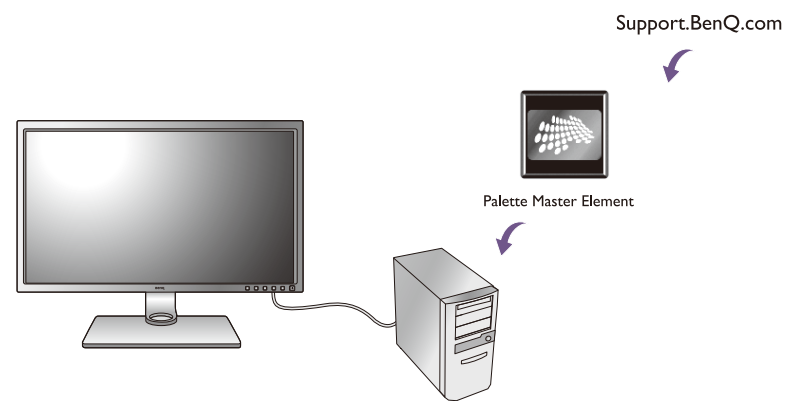
- 7 Video
- 8 Audio
- 9 USB
- 10 Hotkey Puck G2





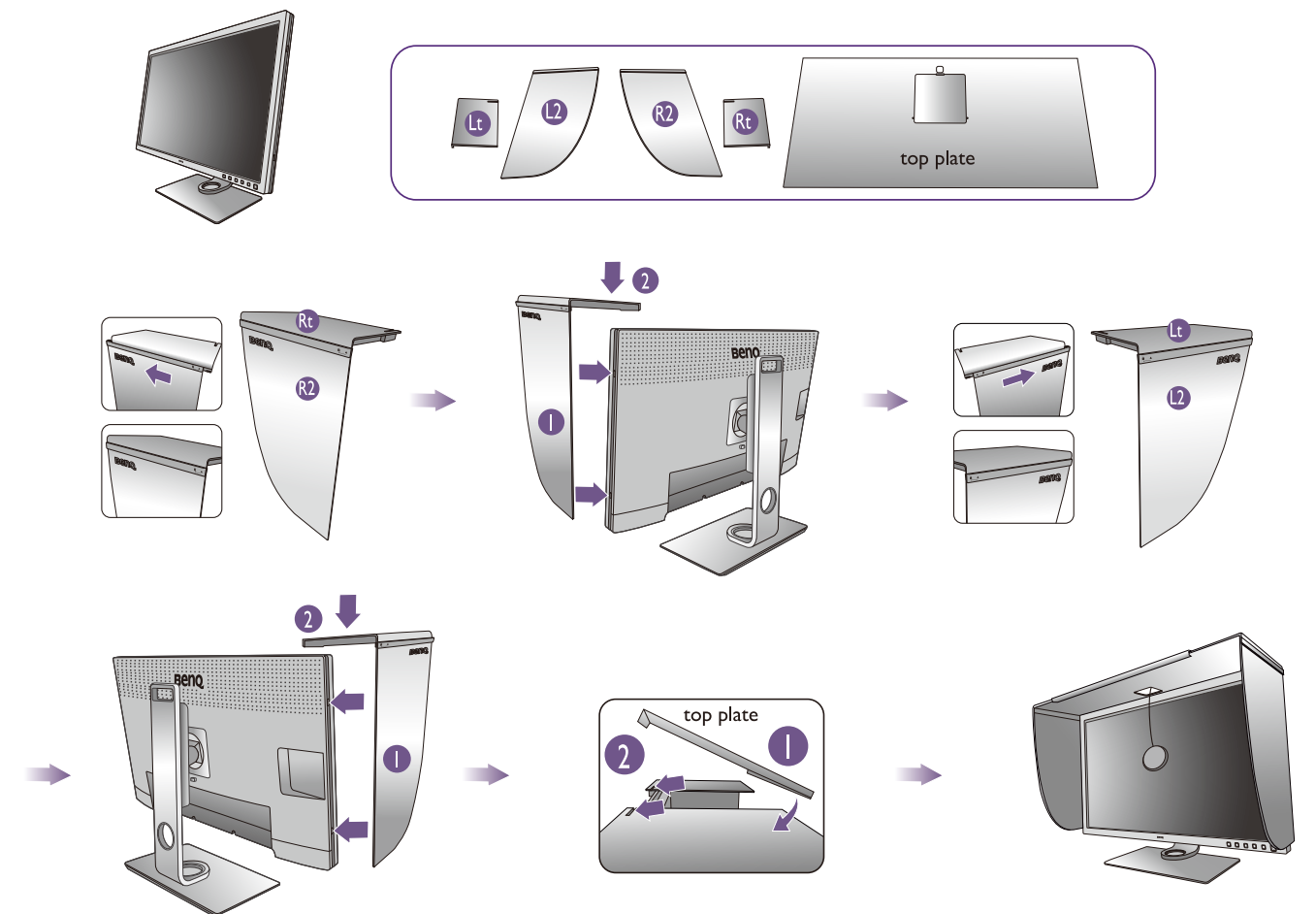
Software installation

Calibration software: Palette Master Element

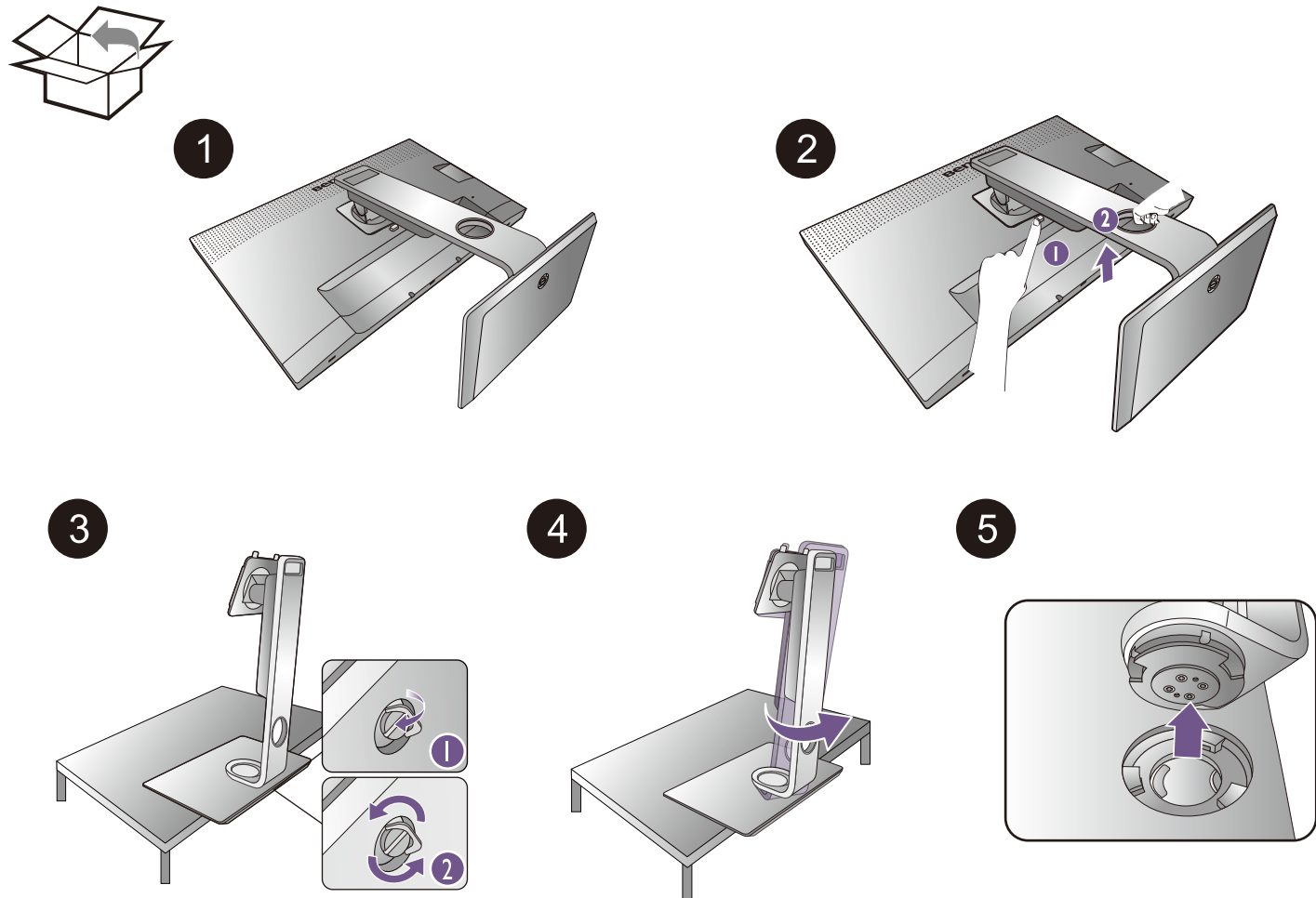


How to install the shading hood (optional step)

Landscape mode



How to install shading hood



Support.BenQ.com



Online Manual



Product Support



Software Download