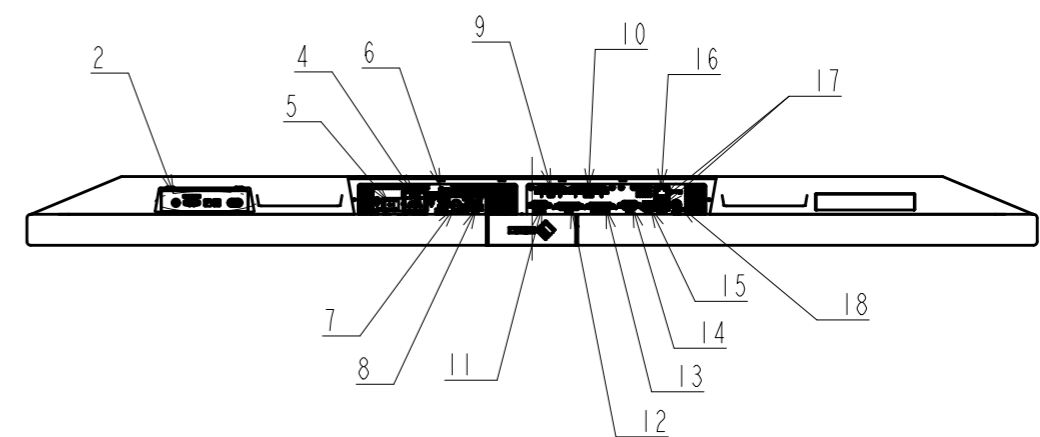
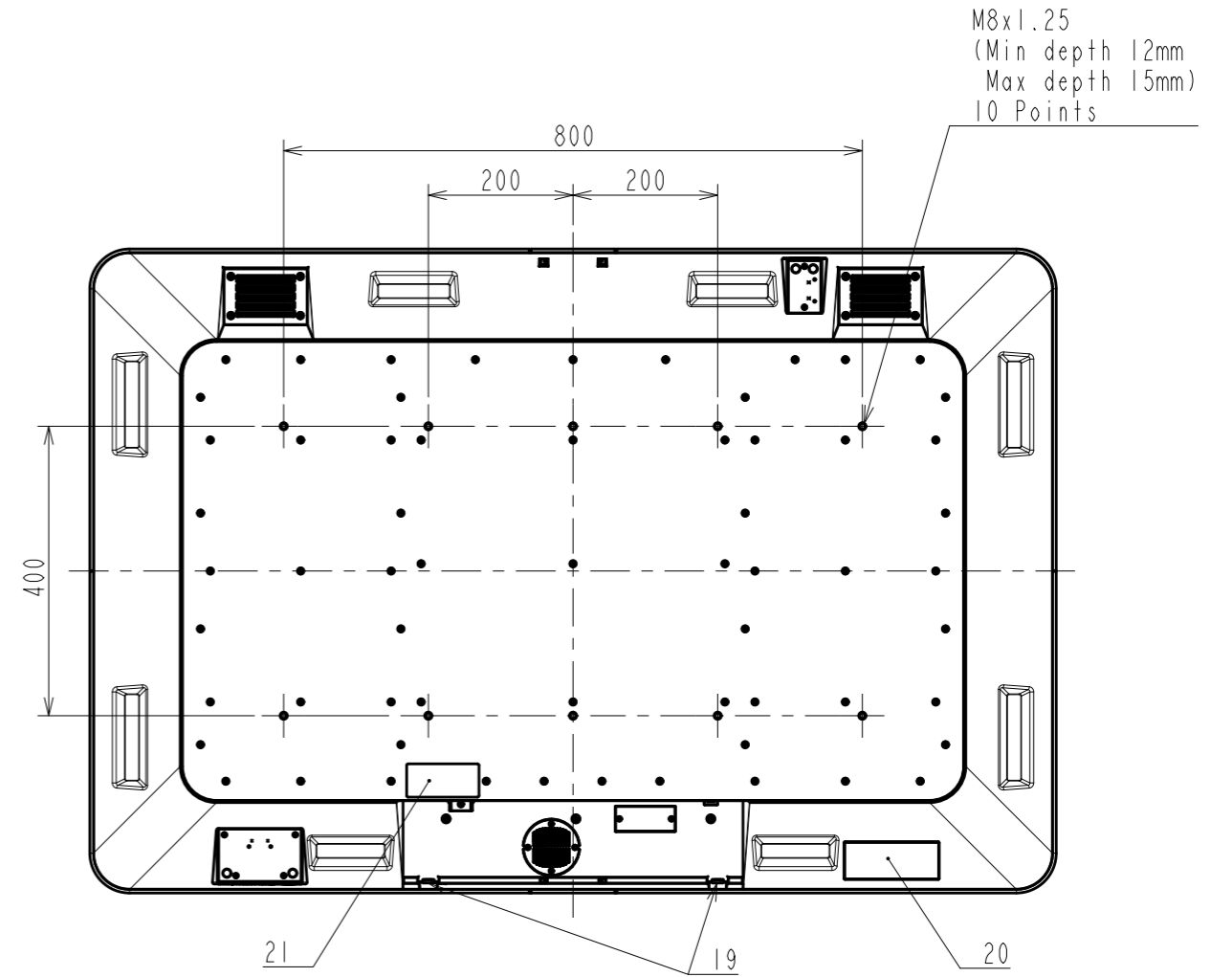
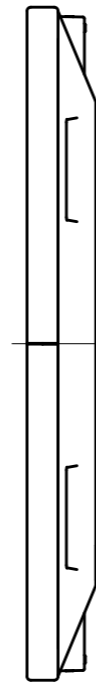
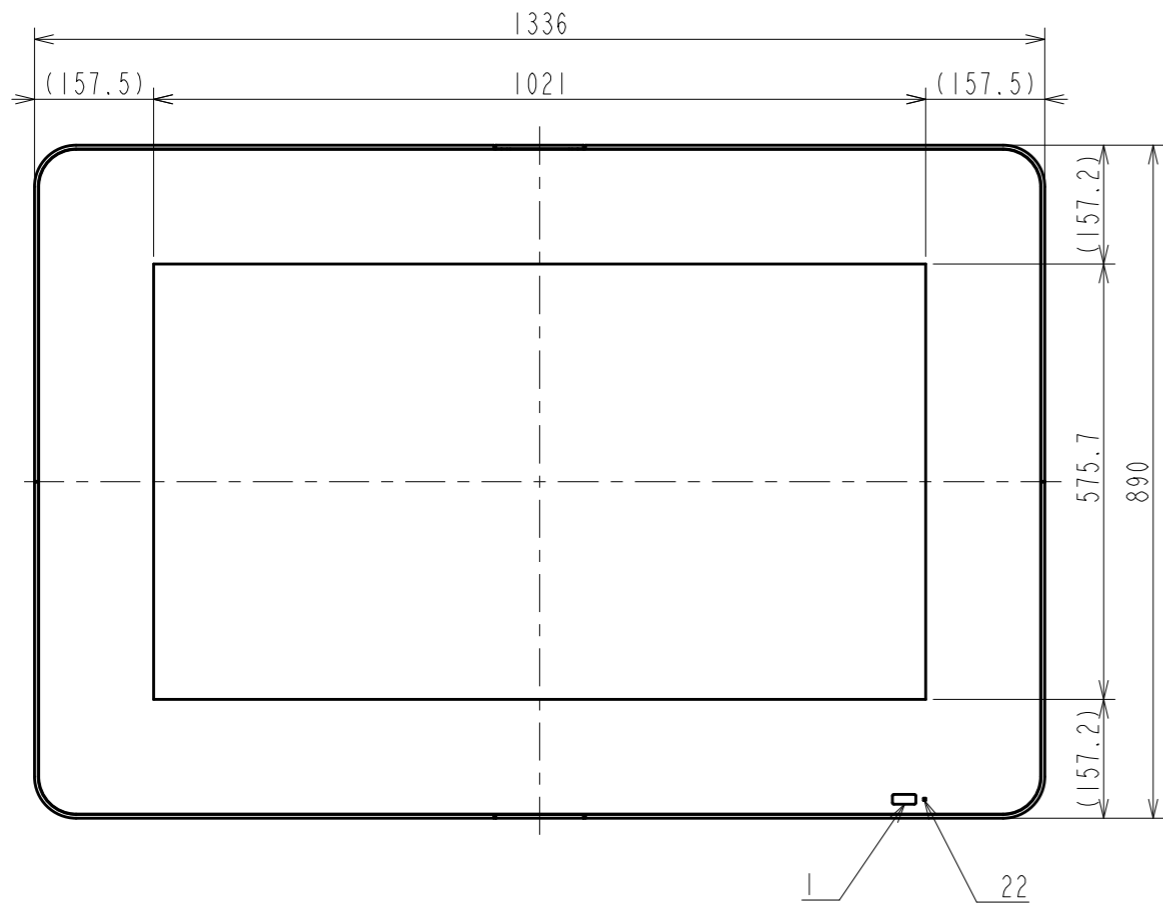
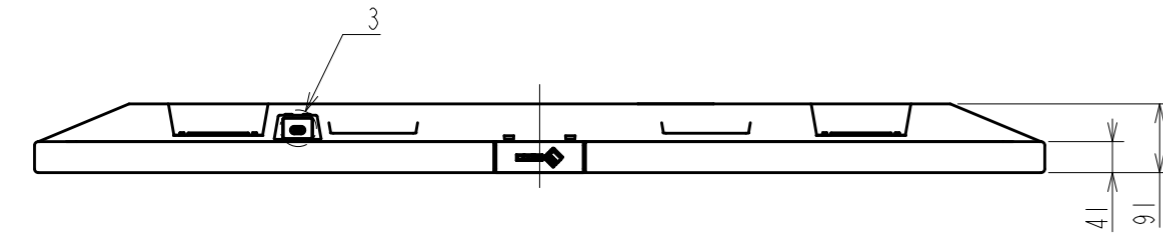


OUTLINE DIMENSIONS

MODEL	MDF4601WT
UNIT	mm



- | | |
|-----------------------------------------------------------|----------------------|
| 1. ECDIS INDICATOR | 10. RS-485 |
| 2. BUTTON
POWER/RIGHT/LEFT/RETURN/MENU/Touch-on/off-SW | 11. RS232C(9pin) |
| 3. BUTTON
Touch-on/off-SW | 12. DVI-D |
| 4. POWER-INPUT_(AC). INLET COVER | 13. DVI-I |
| 5. SW | 14. D-SUB(15pin) |
| 6. FUNCTION EARTH TERMINAL | 15. USB(UP) |
| 7. FUSE | 16. ETHERNET(TCP/IP) |
| 8. POWER-INPUT_(DC) | 17. USB(DOWNx2) |
| 9. Optional SW interface | 18. CVBS |
| | 19. CABLE HOLDER |
| | 20. TYPE LABEL |
| | 21. CAUTION LABEL |
| | 22. POWER INDICATOR |