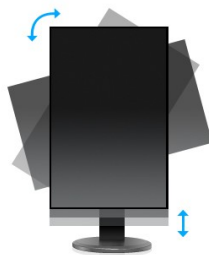


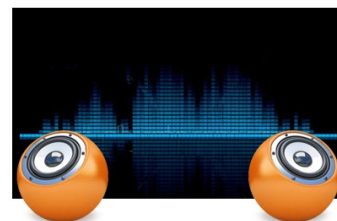


The Prolite B2780HSU is a 27" Full HD monitor with a low power LED-backlit display. It features a stunning 1 ms Response Time, 4 Port USB Hub, a High Definition 1920 x 1080 Resolution and comes with VGA, DVI and HDMI connections. The >5 000,000:1 Advanced Contrast Ratio and 300 cd/m² brightness offer the user clear and vivid images. The ergonomic stand offers 11cm height adjustment with pivot and swivel, making this screen suitable for a wide range of applications and environments where workplace flexibility and ergonomics are key factors. The Prolite B2780HSU is an excellent choice for Universities, Corporate, Financial and Design Markets.



HAS + PIVOT

With a height adjustable stand you will create an ergonomic work posture and position that meets all health and safety requirements. This will not only prevent any health issues but will also increase your productivity. The pivot function allows the screen to rotate from landscape to portrait orientation. This functionality can be useful if the application requires more height than width.



SPEAKERS

This LED monitor is equipped with two high quality stereo speakers.

1. DISPLAY CHARACTERISTICS

| | |
|--------------------|---|
| ASPECT RATIO | 16 : 9 |
| PANEL | TN LED, matte finish |
| NATIVE RESOLUTION | Full HD 1080p, 1920 x 1080 (2.1 megapixel) |
| BRIGHTNESS | 300 cd/m ² typical |
| STATIC CONTRAST | 1200 : 1 typical |
| ADVANCED CONTRAST | 12 000 000 : 1 ACR |
| RESPONSE TIME | 1 ms |
| VIEWING ZONE | horizontal/vertical: 170° / 160° ; right/left: 85° / 85° ; up/down: 80° / 80° |
| DISPLAY COLOUR | 16.7 million |
| BLUE LIGHT REDUCER | yes |
| DISPLAY AREA H X W | 336.2 x 597.6 mm; 13.2" x 23.5" |
| PIXEL PITCH H X V | 0.3113 x 0.3113 mm |
| HORIZONTAL SYNC | 24 - 80 KHz |
| VERTICAL SYNC | 56 - 75 Hz |
| SYNCHRONIZATION | Separate Sync |

2. INTERFACES / CONNECTORS / CONTROLLERS

| | |
|-------------------------|-----------------------------------|
| ANALOG INPUT CONNECTOR | VGA |
| DIGITAL INPUT CONNECTOR | DVI-D, HDMI |
| HDCP | yes |
| HEADPHONE CONNECTOR | yes |
| OUTPUT CONNECTOR | headphone socket |
| USB HUB | UP 1 x USB 2.0 / DOWN 4 x USB 2.0 |
| OTHER | USB (x4) |

3. FEATURES

| | |
|-------------------------|--|
| APPLE - MAC | All iiyama monitors are compatible with Apple-Macintosh computers. |
| PLUG & PLAY | VESA DDC2B™ |
| CONTROLS | Via OSD in 9 languages (EN, DE, FR, ES, IT, PT, Chinese, RU, JP) and 5 front controls (Power, Menu/ Select, +/- Volume, -/ ECO, Auto) |
| USER CONTROLS | luminance (contrast, brightness, ECO, i-style Colour, ACR), image setup (clock, phase, H. position, V. position, aspect), colour adjust (colour temperature, gamma, sRGB), OSD setup (H. position, V. position, time out, language), others (reset, signal select, HDMI audio, OD, information), volume, auto adjust |
| SPEAKERS | 2 x 2 W (Stereo) |
| ANTI-THEFT-DEVICE | Kensington-lock™ prepared |
| CERTIFICATES | CE, TCO 6, TUV-Bauart |
| HEIGHT ADJUSTABLE STAND | Yes |
| HEIGHT ADJUSTMENT | 110 mm |

| | |
|---------------------------|-----------------------------|
| ROTATION (PIVOT FUNCTION) | 90° |
| SWIVEL STAND | 340°; 170° left; 170° right |
| TILT ANGLE | 22° up; 4° down |
| VESA MOUNTING | 100 x 100 mm |
| COLOUR | Black |

4. ACCESSORIES

| | |
|----------------------|--|
| INCLUDED ACCESSORIES | power cable, DVI-D cable, audio cable, USB cable, stand, screw (x2), quick start guide, safety guide |
|----------------------|--|

5. POWER MANAGEMENT

| | |
|-------------------|---|
| POWER SUPPLY | AC 100 - 240 V, 50 / 60 Hz |
| POWER SUPPLY UNIT | internal |
| POWER USAGE | 37 W typical; max. 1 W in Power management mode |
| POWER MANAGEMENT | VESA DPMS |

6. EU ENERGY EFFICIENCY LABEL

| | |
|---------------------------|-----------------------------|
| ENERGY EFFICIENCY CLASS | B |
| ON MODE POWER CONSUMPTION | 31.3W |
| ANNUAL ENERGY CONSUMPTION | 46 kWh/annum* |
| VISIBLE SCREEN DIAGONAL | 69 cm; 27"; (27" segment) |

This is information under Regulation (EU) No 1062/2010.

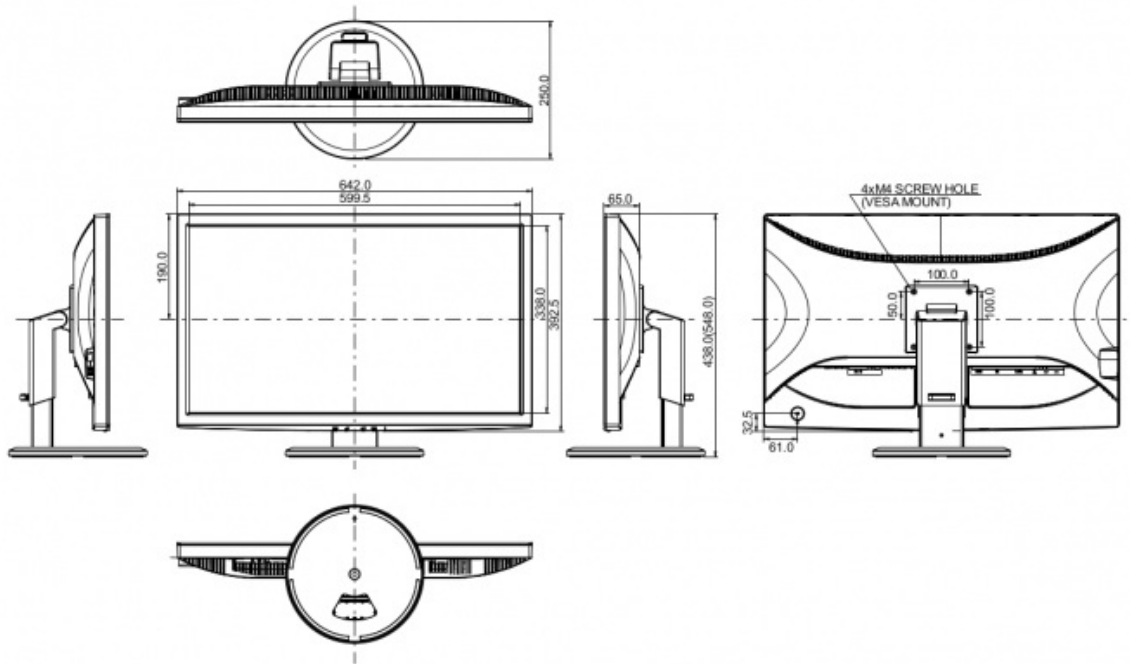
**Based on the power consumption of the television operating 4 hours per day for 365 days. The actual energy consumption will depend on how the television is used.*

7. EPEAT SILVER

| | |
|-------|--|
| EPEAT | EPEAT is a comprehensive environmental rating that helps identify greener computers and other electronic equipment. The Silver certification means the monitor meets all required criteria plus at least 50% of the optional requirements. EPEAT Silver is valid in countries where iiyama registers the product. Please visit www.epeat.net for the registration status in your country. |
|-------|--|

8. DIMENSIONS / WEIGHT

| | |
|----------------------|--------------------------|
| DIMENSIONS W X H X D | 642 x 438 (548) x 250 mm |
| WEIGHT | 8 kg |



All trademarks and registered trademarks acknowledged. E & O E. Specification subject to change without notice. All LCD's comply with ISO-9241-307:2008 in connection with pixel defects.

© IIYAMA CORPORATION (). ALL RIGHTS RESERVED.