



ProLite T1531SR is based on the latest 5 Wire Resistive technology. Price / performance ratio is ideal for the budget conscious user while quality and specification is certainly not compromised. The display inputs include both Analogue and Digital (DVI) with Touchscreen connectivity via either USB or RS-232 which offers greater than typical flexibility. A solid and steady base supports the TouchScreen with an adjustable stand offering full 90 degree angles. Extensive Touch Utilities allow for 4 point calibration and either 9/25 point linerization. An incredibly powerful Touch solution. Available in black and white.



TOUCH TECHNOLOGY - RESISTIVE

5-wire resistive touchscreens are very durable and can be used in a variety of environments. They are especially recommended for shops, restaurants and industrial purposes.



IP54

The IP Code classifies how resistant a device is to foreign objects and moisture. IP54 means that the monitor will operate in dusty conditions, and will resist splashing water.

1. DISPLAY CHARACTERISTICS

| | |
|--------------|-----------|
| DIAGONAL | 15"; 38cm |
| ASPECT RATIO | 4 : 3 |
| PANEL | TN LED |

| | |
|---------------------|--|
| NATIVE RESOLUTION | 1024 x 768 (0.8 megapixel) |
| BRIGHTNESS | 370 cd/m ² typical |
| BRIGHTNESS | 300 cd/m ² with touch panel |
| CONTRAST | 700 : 1 with touch panel |
| RESPONSE TIME | 8 ms |
| VIEWING ZONE | horizontal/vertical: 170°/ 160°; right/left: 85°/ 85°; up/down: 80°/ 80° |
| DISPLAY COLOUR | 16.7 million |
| TOUCHTECHNOLOGY | resistive |
| TOUCH POINTS | Yes |
| LIGHT TRANSMITTANCE | 80% |
| DISPLAY AREA H X W | 228 x 304 mm; 9" x 12" |
| PIXEL PITCH H X V | 0.297 x 0.297 mm |
| HORIZONTAL SYNC | 31.5 - 60.2 KHz |
| VERTICAL SYNC | 56 - 75 Hz |
| SYNCHRONIZATION | Separate Sync |

2. INTERFACES CONNECTORS

| | |
|-------------------------|-------------|
| ANALOG INPUT CONNECTOR | VGA |
| DIGITAL INPUT CONNECTOR | DVI |
| INPUTS | USB, RS232C |

3. SPECIAL FEATURES

| | |
|-------------------|--|
| APPLE - MAC | OS9, OSX |
| PLUG & PLAY | VESA DDC 2B™ |
| CONTROLS | On-Screen-Display in 8 languages (DE, EN, ES, FR, IT, JP, Chinese - traditional and simplified) and 5 front controls (Menu, Scroll up/ Brightness, Scroll down/ Mute, Select/ Auto, Power) |
| USER CONTROLS | contrast, brightness, auto adjust, H.position, V.position, H.size, phase, OSD H.position, OSD V.position, OSD timeout, reset, input select, OSD language, colour temperature, volume, mute |
| SPEAKERS | 2 x 1 W (Stereo) |
| ANTI-THEFT-DEVICE | Kensington-lock™ prepared |
| SAFETY | CE, CB, TÜV-Bauart, VCCI, CU, cULus |
| TILT ANGLE | 90° up; 5° down |
| VESA MOUNTING | 100 x 100 mm |
| COLOUR | White |

4. ACCESSORIES

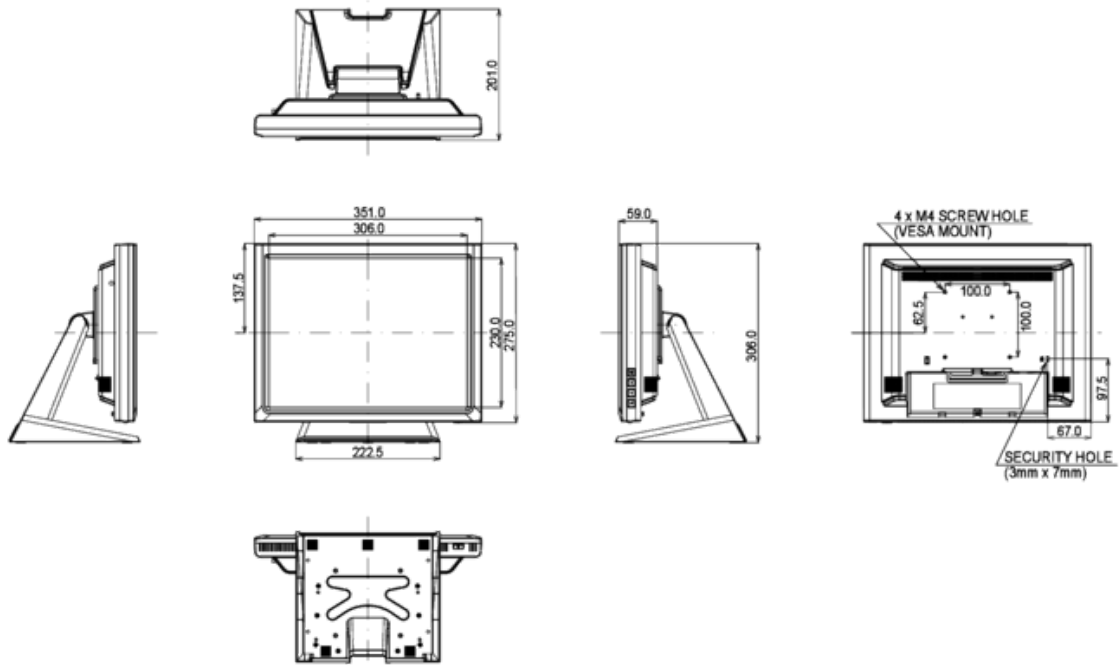
| | |
|--------|---|
| DRIVER | Windows (10, 8.1, 8, 7, Vista, XP, 9X, 2000, CE, NT4), Linux, Mac (OSX, OS9), DOS |
|--------|---|

5. POWER MANAGEMENT

| | |
|-------------------|---|
| POWER SUPPLY | AC 100 - 240 V, 50 / 60 Hz |
| POWER SUPPLY UNIT | internal |
| POWER USAGE | 16 W typical; max. 2 W in Power management mode |
| POWER MANAGEMENT | VESA DPMS |

6. DIMENSIONS & WEIGHT

| | |
|----------------------|--------------------|
| DIMENSIONS W X H X D | 351 x 306 x 201 mm |
| WEIGHT | 4.8 kg |



All trademarks and registered trademarks acknowledged. E & O E. Specification subject to change without notice. All LCD's comply with ISO-9241-307:2008 in connection with pixel defects.