



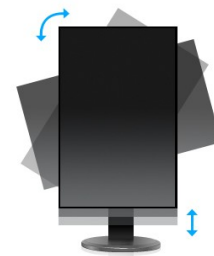
High-end 27" AMVA+ monitor featuring height adjustable stand

ProLite XB2783HSU - a 27" LED backlit LCD Screen featuring AMVA+ panel technology, guarantees accurate and consistent colour reproduction with wide viewing angles. Offering 24 bit 'True Colour' and great performance for displaying Black and White with the 3000:1 Native Contrast Ratio, means that the ProLite XB2783HSU will provide excellent performance for Photographic, Design and Web-design. The monitor features a height adjustable stand with PIVOT function making it also an excellent choice for Universities, Corporate and Financial Markets.



### AMVA+

AMVA+ Panel technology offers 24 bit 'True Colour' performance and amazing viewing angles.



### HAS + PIVOT

With a height adjustable stand you will create an ergonomic work posture and position that meets all health and safety requirements. This will not only prevent any health issues but will also increase your productivity. The pivot function allows the screen to rotate from landscape to portrait orientation. This functionality can be useful if the application requires more height than width.

## 1. DISPLAY CHARACTERISTICS

DIAGONAL	27"; 68.6cm
ASPECT RATIO	16 : 9
PANEL	AMVA+ LED, matte finish
NATIVE RESOLUTION	Full HD 1080p, 1920 x 1080 @75Hz (HDMI&DisplayPort) (2.1 megapixel)
BRIGHTNESS	300 cd/m <sup>2</sup> typical
CONTRAST	3 000 : 1 typical
CONTRAST	12 000 000 : 1 ACR
RESPONSE TIME	4ms
VIEWING ZONE	horizontal/vertical: 178° / 178° ; right/left: 89° / 89° ; up/down: 89° / 89°
DISPLAY COLOUR	16.7 million
BLUE LIGHT REDUCER	yes
FLICKER FREE LED	yes
DISPLAY AREA H X W	335.66 x 596.74 mm; 13.2" x 23.5"
PIXEL PITCH H X V	0.311 x 0.311 mm
HORIZONTAL SYNC	30 - 80kHz
VERTICAL SYNC	55 - 75Hz
SYNCHRONIZATION	Separate sync

## 2. INTERFACES & CONNECTORS

ANALOG INPUT CONNECTOR	VGA
DIGITAL INPUT CONNECTOR	HDMI, DisplayPort
HDCP	yes;
HEADPHONE CONNECTOR	Yes
OUTPUT CONNECTOR	headphone connector
USB HUB	UP 1 x USB 2.0 / DOWN 2 x USB 2.0

## 3. FEATURES

APPLE - MAC	All iiyama monitors are compatible with Apple-Macintosh computers.
PLUG & PLAY	VESA DDC2B™
CONTROLS	Via OSD in 11 languages (EN, DE, FR, ES, IT, PL, NL, Chinese, RU, JP, CZ) and 6 front controls (Power, Menu/ Select, Scroll up/ Volume, Scroll down/ ECO, Exit, Input Select)
USER CONTROLS	picture adjust (contrast, brightness, OD, ACR, ECO. Blue Light Reducer), input select, audio adjust (volume, mute, digital audio), colour adjust, image adjust (auto adjust, H. position, V. position, clock, phase, sharpness, video mode adjust), language, setup (OSD position, OSD timeout, opening logo, auto power off), display information, reset
SPEAKERS	2 x 2 W (Stereo)
ANTI-THEFT-DEVICE	Kensington-lock™ prepared
CERTIFICATES	TCO, CE, TÜV-GS, VCCI-B, PSE, CU

HEIGHT ADJUSTABLE STAND	Yes
HEIGHT ADJUSTMENT	130mm
ROTATION (PIVOT FUNCTION)	90°
SWIVEL STAND	90°; 45° left; 45° right
TILT ANGLE	22° up; 5° down
VESA MOUNTING	100 x 100 mm
COLOUR	Black

## 4. ACCESSORIES

INCLUDED ACCESSORIES	power cable, HDMI cable, USB cable, stand, quick start guide, safety guide
----------------------	--

## 5. POWER MANAGEMENT

POWER SUPPLY	AC 100 - 240 V, 50 / 60 Hz
POWER SUPPLY UNIT	internal
POWER USAGE	34 W typical; max. 0.5 W in Power management mode
POWER MANAGEMENT	VESA DPMS, ENERGY STAR®

## 6. EU ENERGY EFFICIENCY LABEL

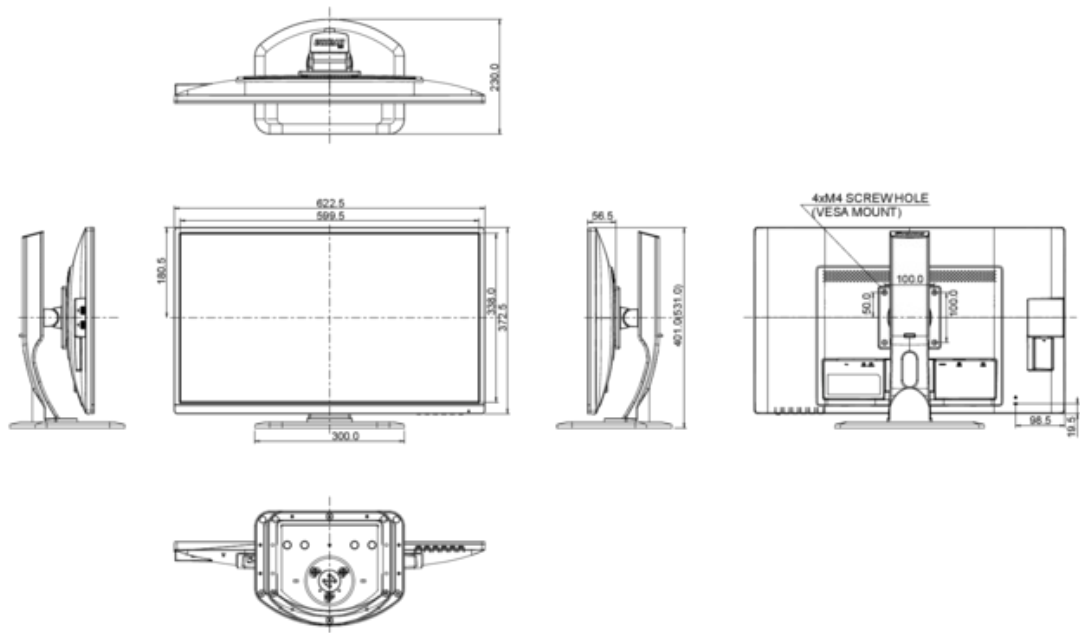
ENERGY EFFICIENCY CLASS	B
ON MODE POWER CONSUMPTION	35.6W
ANNUAL ENERGY CONSUMPTION	52 kWh/annum*
VISIBLE SCREEN DIAGONAL	69 cm; 27"; ( 27" segment )

*This is information under Regulation (EU) No 1062/2010.*

*\*Based on the power consumption of the television operating 4 hours per day for 365 days. The actual energy consumption will depend on how the television is used.*

## 7. DIMENSIONS & WEIGHT

DIMENSIONS W X H X D	622.5 x 400.5 (530.5) x 230 mm
WEIGHT	6 kg



All trademarks and registered trademarks acknowledged. E & O E. Specification subject to change without notice. All LCD's comply with ISO-9241-307:2008 in connection with pixel defects.

© IIYAMA CORPORATION ( ). ALL RIGHTS RESERVED.