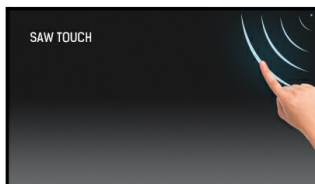




## 17" monitor with Surface Acoustic Wave touch technology

The ProLite T1731SAW-B5 uses highly accurate Surface Acoustic Wave Touch Technology (SAW) with a pure-glass scratch resistant front, offering superior image clarity and screen durability. The screen can be touched with a soft stylus, finger or gloved hand making it suitable for a number of applications, and the solid but flexible stand ensures resilience in the most demanding environments. Menu buttons are located on the side of the screen which can be locked to prevent tampering, and include a handy function to deactivate the touchscreen for cleaning. The Iiyama ProLite T1731SAW-B5 touchscreen is ideal for a wide range of applications including Point of Sale, Kiosks, Hospitality and Entertainment, Control rooms, Education, Training and many others.



### Touch technology - Surface Acoustic Wave

Surface acoustic wave uses ultrasonic waves that pass over the panel. When the panel is touched, a portion of the wave is absorbed and a touch event is registered. Because the screen is covered with a glass layer this technology offers great picture performance (high contrast and colour accuracy). It is also scratch-resistant technology and therefore ideal for use in Public Places or Schools. Even if the screen is scratched, the touch function remains unaffected. Surface Acoustic Touch screens are activated with finger or a soft stylus touch.



### IP54

The IP Code classifies how resistant a device is to foreign objects and moisture. IP54 means that the monitor will operate in dusty conditions, and will resist splashing water.

## 01 DISPLAY CHARACTERISTICS

|                         |   |
|-------------------------|---|
| Diagonal                | 17", 43cm   |
| Panel                   | TN LED  |
| Native resolution       | 1280 x 1024 ( 1.3 megapixel)  |
| Aspect ratio            | 5:4   |
| Brightness              | 250 cd/m <sup>2</sup> typical   |
| Brightness              | 230 cd/m <sup>2</sup> with touch                                      |
| Static contrast         | 1000:1 with touch   |
| Light transmittance     | 92%   |
| Response time           | 5ms   |
| Viewing zone            | horizontal/vertical: 170°/160°, right/left: 85°/85°, up/down: 80°/80° |
| Colour support          | 16.7mln 8bit (6bit + Hi-FRC)  |
| Horizontal Sync         | 31 - 80KHz  |
| Vertical Sync           | 50 - 75Hz   |
| Viewable area W x H     | 338 x 270mm, 13.3 x 10.6"   |
| Pixel pitch             | 0.264mm   |
| Bezel colour and finish | matte, black  |

## 02 TOUCH

|                             |   |
|-----------------------------|---|
| Touch technology            | SAW   |
| Touch points                | 1   |
| Touch method                | finger, stylus, glove   |
| Touch interface             | USB   |
| Supported operating systems | All iiyama monitors are Plug & Play and compatible with Windows and Linux. For details regarding the supported OS for the touch models, please refer to the driver instruction file available in the downloads section. |

## 03 INTERFACES / CONNECTORS / CONTROLS

|                      |                           |
|----------------------|---------------------------|
| Analog signal input  | VGA x1                    |
| Digital signal input | HDMI x1<br>DisplayPort x1 |
| Audio output         | Speakers 2 x 1W           |
| HDCP                 | yes                       |

## 04 FEATURES

|                |              |
|----------------|--------------|
| Impact testing | IP54 (front) |
| OSD key lock   | yes          |

## 05 GENERAL

|                 |   |
|-----------------|---|
| OSD languages   | EN, DE, FR, ES, IT, CN, JP  |
| Control buttons | Menu, Scroll up/ Brightness, Scroll down/ Mute, Select, Power   |
| User controls   | contrast, brightness, auto adjust, H.position, V.position, H.size, fine, OSD H.position, OSD V.position, OSD timeout, reset, input select, OSD language, colour temperature, volume, mute |
| Convenience     | Kensington-lock™ prepared   |
| Plug&Play       | DDC2B   |

## 06 MECHANICAL

Tilt angle 90° up; 5° down

VESA mounting 100 x 100mm

Cable management system yes

## 07 ACCESSORIES INCLUDED

Cables power, USB, HDMI, Audio, DP

Guides quick start guide, safety guide

Other Touch Panel Driver Disk (CD-ROM)

Cable cover yes

## 08 POWER MANAGEMENT

Power supply unit internal

Power supply AC 100 - 240V, 50/60Hz

Power usage 20W typical, 3W stand by

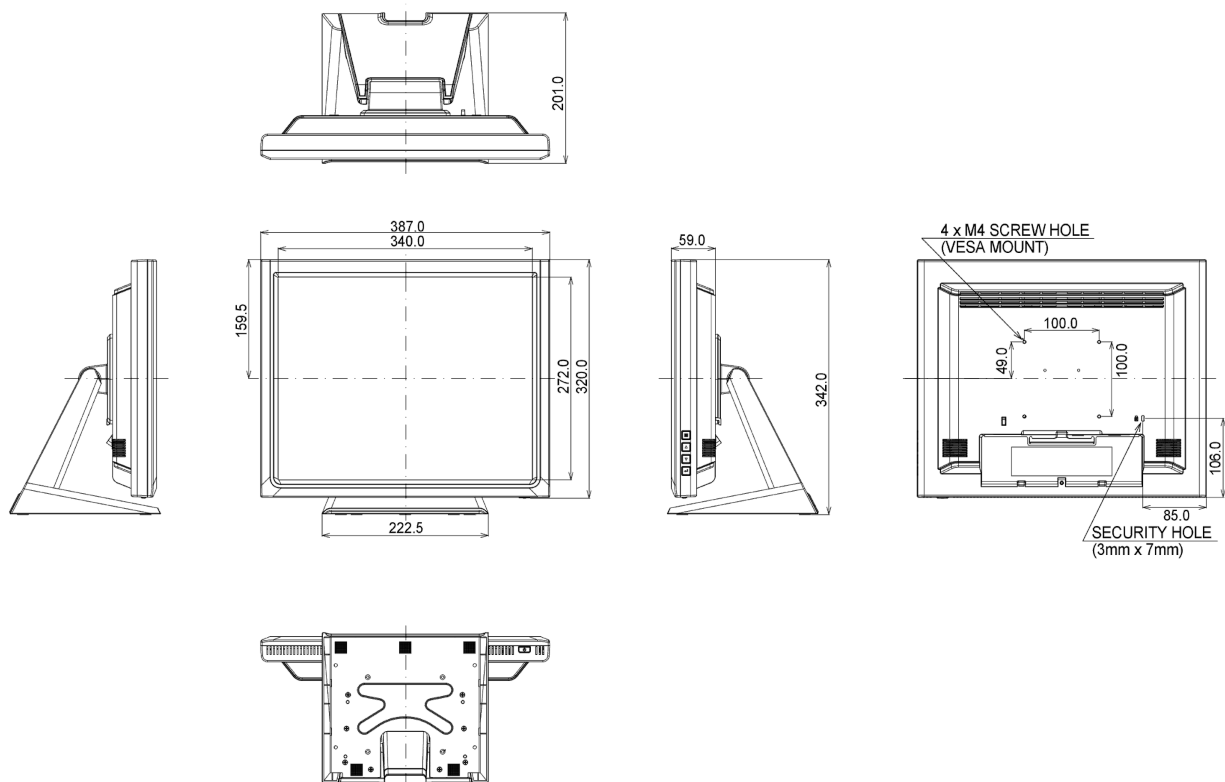
## 09 SUSTAINABILITY

Regulations CB, CE, TÜV-Bauart, VCCI, GOST

## 10 DIMENSIONS / WEIGHT

Product dimensions W x H x D 387 x 342 x 201mm

Weight (without box) 5.8kg



*All trademarks and registered trademarks acknowledged. E & O E. Specification subject to change without notice. All LCD's comply with ISO-9241-307:2008 in connection with pixel defects.*

© IYAMA CORPORATION. ALL RIGHTS RESERVED