

Personal Healthcare Smart Touch Screen TV

LU766A

Provide your patients with the smart solution, 15.6" multi-touch based ARM TV, for a superior hospital experience. The LU766A series enables personalized interactive service with its multi-touch screen and webOS operating system, which is the optimal platform for Patient Engagement Providers in the industry. Its industrial panel is durable and will sustain long operation. And the LG IPS panel technology provides great viewing angles for multiple viewers in a hospital environment.



* Actual product appearance may differ from the above simulated scene.

Personal Healthcare Smart Touch Screen TV

LU766A

Interactive Healthcare TV Solution

Intuitive Multi-touch Display

This touch screen recognizes the presence of more than two points of contact with the surface, allowing more users in a hospital setting to experience interactive services (e.g., doctor and patient) and entertainment (e.g., patient and family).



Perfect Viewing Screen with LG IPS

LG TV with IPS Panel delivers awe-inspiring picture quality across the entire screen, even from wide viewing angles.



Pre-loaded Apps (including gaming apps)

Guest can be served with pre-loaded applications, including many popular games, Youtube, WebBrowser and others.



* Actual in-screen image may differ.

Personal Healthcare Smart Touch Screen TV

LU766A

Smart Experience

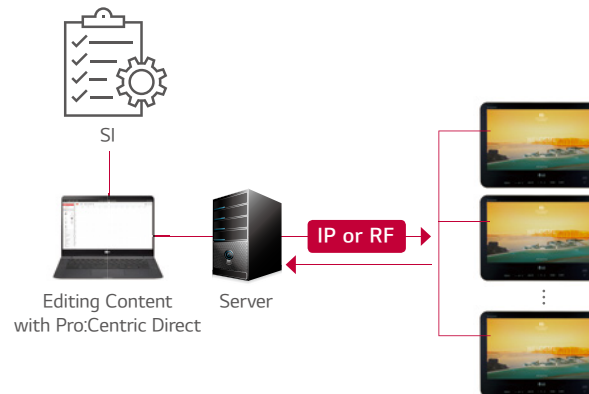
Pro:Centric Information Management Solution

Pro:Centric SMART is optimized for customizing information and entertainment services through an IP & RF infrastructure. With its high picture quality, sophisticated design and advanced connectivity functions, the LU766A Series improves and creates new in-room experiences for patients, hospital staff and family.



Pro:Centric Direct Solution

Pro:Centric Direct is a content management system for public facility that supports simple editing tools and provides various solutions such as 1-click service and IP-network-based remote management. With the solution, users enable to design UI easily and provide customized service while managing TV efficiently.



* Actual UI may differ

* When PCS400R and PCD 2.0 are used, it is able to have PCD feature even in RF infrastructure. However, to have interactive services in RF infrastructure, Wi-Fi is required (RF+Wireless Infrastructure is needed).

Pro:Idiom

Securely provide entertainment content with Pro:Idiom DRM (Digital Right Management) which prevents illegal copying on your LG devices.



Personal Healthcare Smart Touch Screen TV LU766A

Product Reliability

Antibacterial Properties Applied

Antimicrobial properties applied to Plastic Housing of LU766A series. It treated plastic housing conforms with ISO 22196 standard measuring antimicrobial activity that inhibits the growth of bacteria that may affect the plastic housing. Thus, it is necessary for enhanced Medical Environment(Medical Efficacy).



Cleanliness, Safety and Convenience

LU766A series LCD panels are designed to be able to be cleaned or used thoroughly without issues, and the stylish, rounded corners of the TV reduce the possibility of injury due to accidental bumping into staff, patients or family visitors.



* NOTES:

- Antibacterial Properties : Antimicrobial properties do not protect users against bacteria, viruses, germs or other disease causing micro-organisms.
- External plastic housing excludes front LCD panel.
- ISO 22196: Measurement of antibacterial activity on plastics and other non-porous surfaces.

* Actual product appearance may differ from the above simulated one

Personal Healthcare Smart Touch Screen TV

LU766A

Product Reliability

Reliable Operation

Industrial panel located inside allows the product to sustain long operation hours. So, LG ARM TV is a reliable TV solution that can be used in hospital environment without a need for addressing unexpected fault.

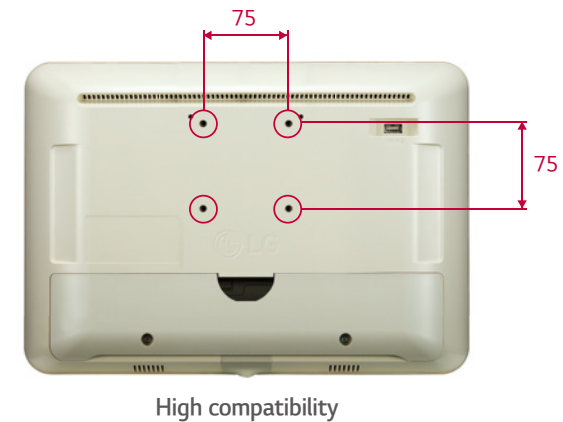


* Actual product appearance may differ from the above simulated one

Ease of Use

Mounts Compatibility / Replaceable Headphone Jack

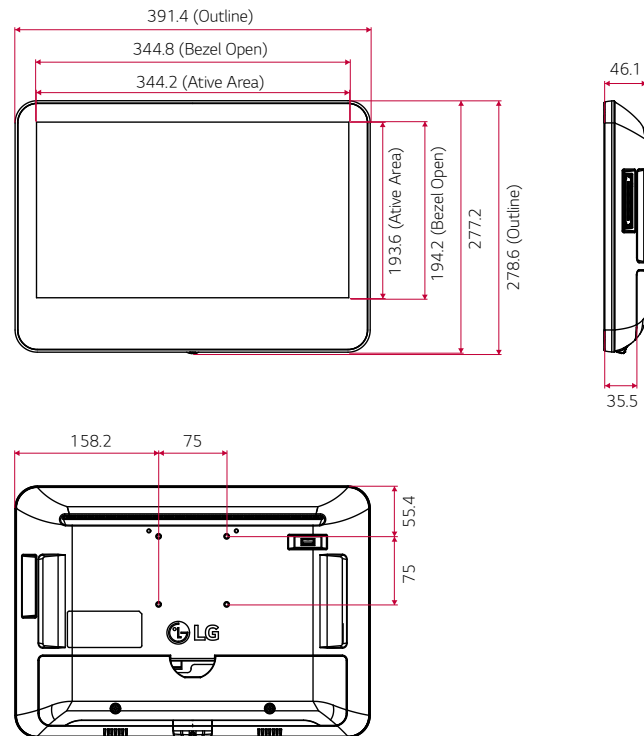
It can be attached to most of existing Vesa Mount, and thus it is so easy for anybody to install and manage the product. In addition, headphone jack on the rear side is a modular type and is replaceable. Thus, it is considered a good point for compatibility and simpler maintenance.



* Actual product appearance may differ from the above simulated one

* Top mount is not available

Dimension



* Dimensions may differ from the above image, so please contact LG salesteam to verify before ordering.

Specifications

LU766A

	Screen Size	15.6"
	Backlight Type	LED (Direct)
	Resolution	1,920 x 1,080 (FHD)
PANEL	Brightness (cd/m ²)	250 (Set, Typ) / 220 (Set, Min) / 400 (Module, Typ)
	Static (Panel) Contrast Ratio	700 (Typ)
	Viewing Angle (H x V)	R/L 160 (Min.), U/D 160 (Min.)
	Response Time (G to G, ms)	25
BROADCASTING SYSTEM	Analog	• (PAL/SECAM)
	Digital	•
VIDEO	XD Engine	•
	Aspect Ratio	• 6 modes (16:9, Original, Full Wide, 4:3, Vertical Zoom, All-Direction Zoom)
AUDIO	Audio Output	1W + 1W
	Speaker System	2.0 ch
	Sound Mode	• 7 modes (Standard, Cinema, Clear Voice III, Sports, Music, Game)
	Clear Voice	• (Clear Voice III)
HOSPITALITY SOLUTION	Solution Type	Pro:Centric (Smart, V, Direct)
	Data Streaming (IP & RF)	•
	RF	• (1 Tuner)
	HCAP (GEM/FLASH/HTML) ※ Service Carousel (TLL/XML)	•
	Pro:Centric Application (version)	•
	DRM	Pro:Idiom
SMART FEATURE	webOS 3.5, Commercial Smart Home, Web Browser, Pre-loaded App, SDP Server Compatibility, Soft AP, Wi-Fi, Screen Share (Miracast), Smart Share (DLNA), DIAL, Bluetooth Audio Playback, LG Sound Sync/bluetooth, SNMP, Self Diagnostics (USB), HTNG-CEC, HDMI-CEC, IR Out (RS-232C only), Multi IR code	
HOSPITALITY FEATURE	Hotel Mode / PDM / Installer Menu, Lock mode (Limited), Welcome Screen, Insert Image, One Channel Map, Instant ON, Full Touch Screen (P-Cap), Auto Off / Sleep Timer, Smart Energy Saving, Motion Eye Care, Healthcare Headphone Mode, Protection Cover (Glass), Plastic housing with Antibacterial Properties	
JACK INTERFACE	Set Side	CI Slot
	Set Rear	RF In (2), HDMI/HDPC Input, USB, RS-232C(phone), Headphone Out, RJ45 (Ethernet), Debug (Phone Jack Type), Adapter Jack
DIMENSION (UNIT : mm)	VESA	75 x 75
	W x H x D / weight (with stand)	-
	W x H x D / Weight (without stand)	391.4 x 278.6 x 46.1 / 2.7 kg
	W x H x D / Weight (Packing)	470 x 356 x 201 / 3.6 kg (without stand)
POWER (UNIT : Watts)	Voltage, Hz	100 - 240V, 50/60Hz
	Typical	TBD
	Stand-by	0.3W ↓

* Specifications are subject to change without notice, so please contact LG salesteam to verify before ordering.



Download
LG C-Display+
Mobile App

Google Play Store

- www.lg.com/b2b
- www.youtube.com/c/LGCommercialDisplay
- www.facebook.com/LGInformationDisplay
- www.linkedin.com/company/LGInformationDisplay

LG may make changes to specifications and product descriptions without notice.
Copyright © 2018 LG Electronics Inc. All rights reserved. "LG Life's Good" is a registered trademark of LG Corp.
The names of products and brands mentioned here may be the trademarks of their respective owners.

