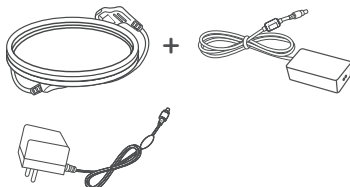




a

or

b



27UL550



27UL500



+ Depending on country



It is recommended that use the supplied components.



www.lg.com



You can download manuals from the LGE website.

OWNER'S MANUAL AND REGULATORY INFO. are available at <https://www.lg.com/au/support/manuals>.

PLEASE READ SAFETY INFORMATION BEFORE INSTALLATION AND USE. SCAN QR CODE TO ACCESS.

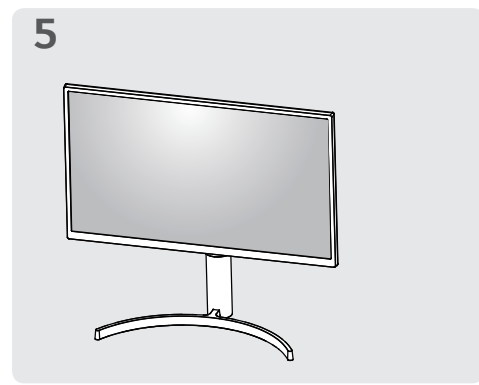
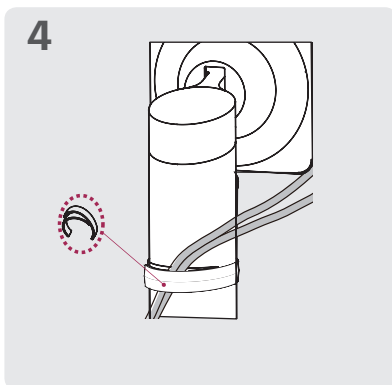
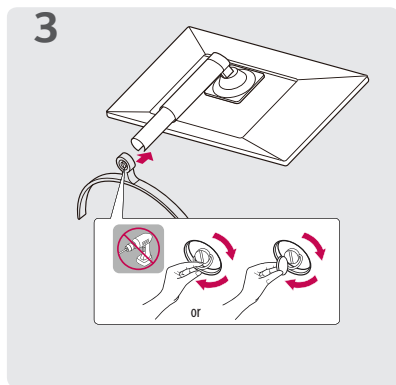
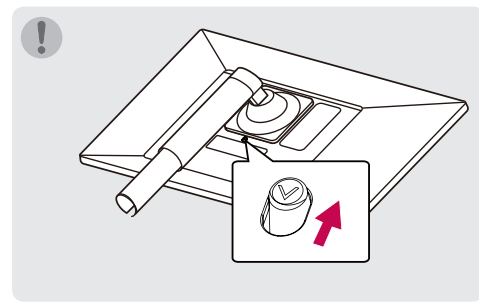
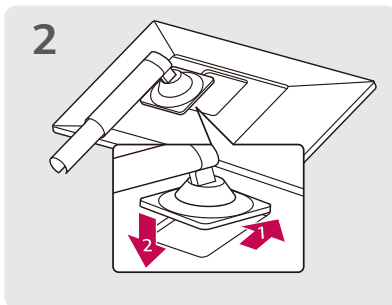
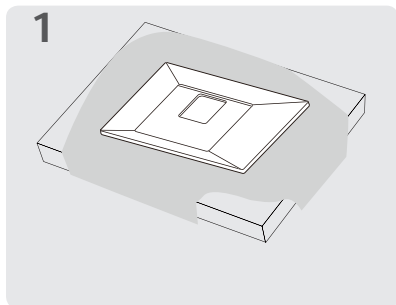
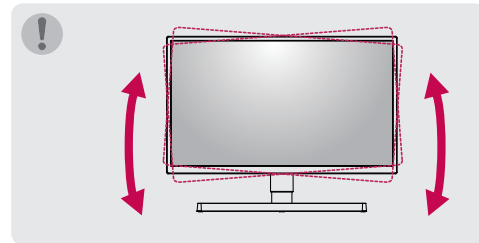
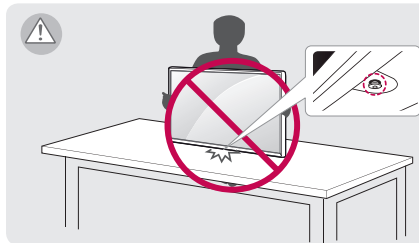


* M B M 6 5 9 7 6 5 6 5 *

(1909-REV03)

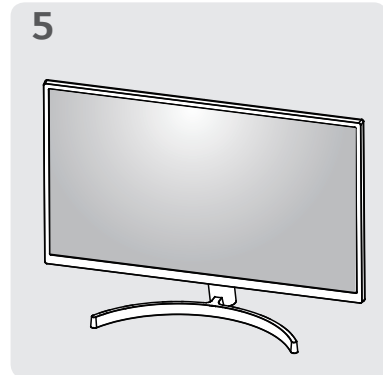
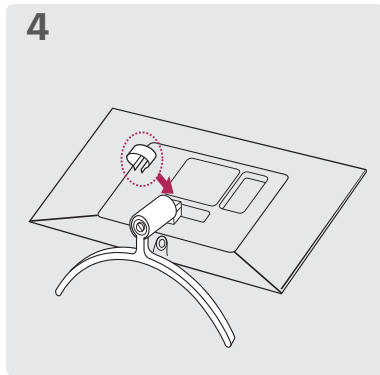
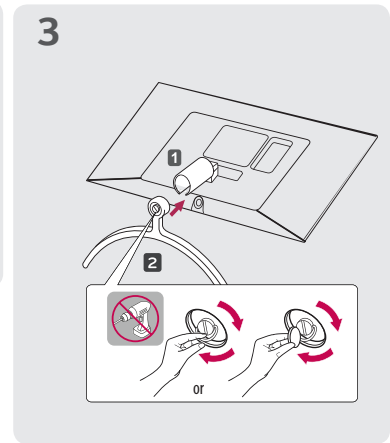
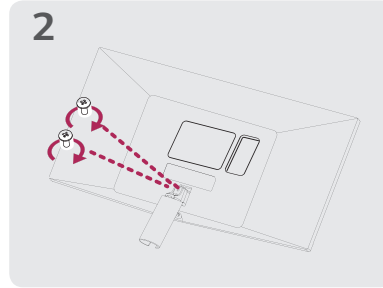
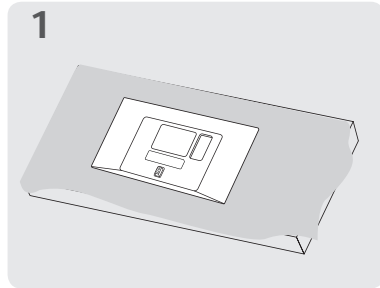
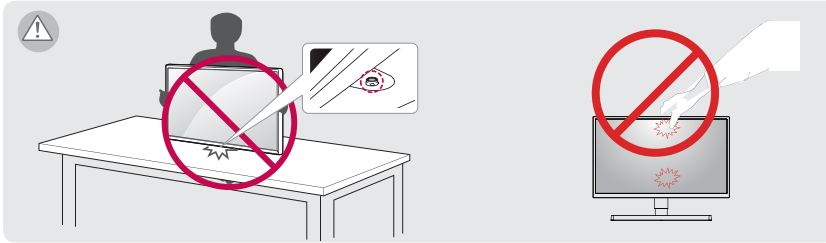


27UL550



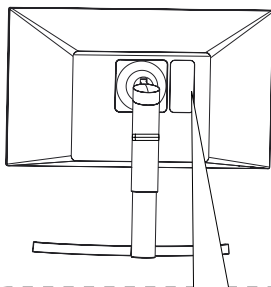


27UL500

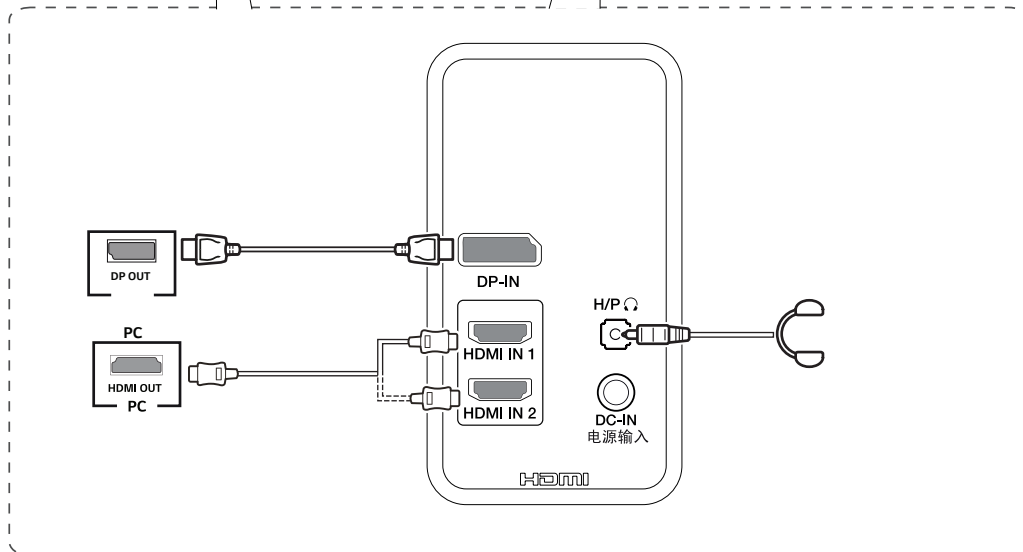
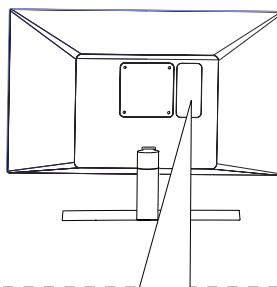




27UL550



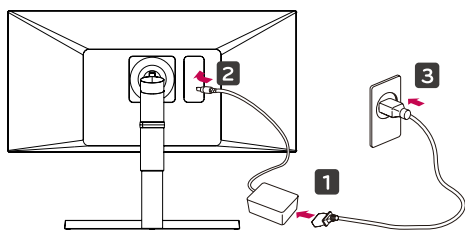
27UL500



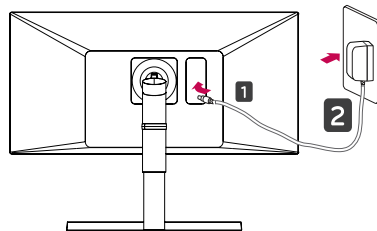
- Using a DVI to HDMI / DP (DisplayPort) to HDMI cable may cause compatibility issues.
- Make sure to use the supplied cable. Otherwise, this may cause the device to malfunction.



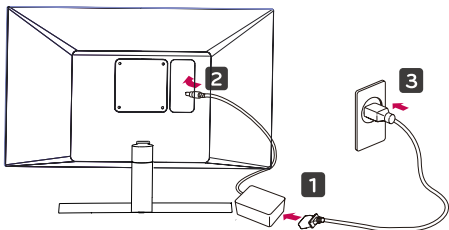
27UL550



or



27UL500



or

