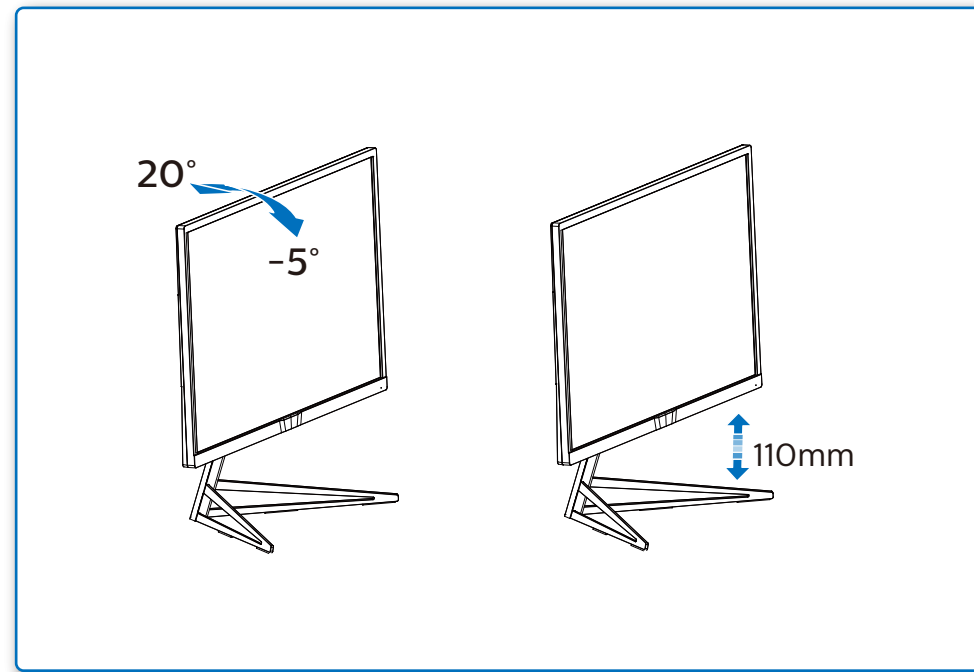


| | |
|--------------------------------------|------------------------------|
| GRAPHIC DEVELOPMENT MMD | |
| Product name | |
| Project name | QSG |
| Project no. | |
| Finishing | Folded sheet |
| Scale | 1:1 |
| Size Spreads | 594 (W) x 210 (H) mm |
| Size | 148.5 (W) x 210 (H) mm |
| Operator(s) | |
| Date amended | |
| VERSION No. | |
| APPROVAL | |
| QC Lithographer | |
| Product Manager | |
| Date Check | |
| ARTWORK DOCUMENT | |
| Paper | 80gsm White, woodfree coated |
| Numbers of colours | 2Cx2C |
| Pantone 300c | |
| Spotcolor | |
| Aftertreatment | |
| <input type="checkbox"/> Cropping | |
| <input type="checkbox"/> Coating | |
| <input type="checkbox"/> Varnishing | |
| <input type="checkbox"/> Embossing | |
| <input type="checkbox"/> Cutterguide | |
| <input type="checkbox"/> Die-cut | |
| <input type="checkbox"/> Binding | |
| <input type="checkbox"/> Glue | |

4



EN Need help?
Online help: www.philips.com/support
SC 需要帮助?
在线帮助: www.philips.com/support

- FR Besoin d'Aide ?**
Aide en ligne: www.philips.com/support
- ES ¿Necesita ayuda?**
Ayuda en línea: www.philips.com/support
- DE Benötigen Sie Hilfe?**
Online-Hilfe: www.philips.com/support
- IT Avete bisogno di aiuto?**
Guida in linea: www.philips.com/support
- BR Precisa ajuda?**
Ajuda online: www.philips.com/support
- KO 도움이 필요하십니까?**
온라인 도움말: www.philips.com/support
- UK Потребуйте допомоги!**
Підтримка он-лайн: www.philips.com/support
- RU Нужна помощь?**
Интерактивная справка: www.philips.com/support
- TR Yardım ihtiyacınız var mı?**
Online yardım: www.philips.com/support
- HI क्या सहायता की जरूरत है?**
ऑनलाईन सहायता: www.philips.com/support
- AR هل تريد المساعدة؟**
www.philips.com/support
- JP ヘルプが必要ですか?**
オンラインヘルプ: www.philips.com/support

Version: M6326MQ1T
© 2019 Koninklijke Philips N.V. All rights reserved.
This product was manufactured and brought to the market by or on behalf of Top Victory Investments Ltd. or one of its affiliates. Top Victory Investments Ltd. is the warrantor in relation to this product. Philips and the Philips Shield Emblem are registered trademarks of Koninklijke Philips N.V. used under license.

HDMI
HDMI trademark and related patents on technologies belong to their respective owners.



Printed in China



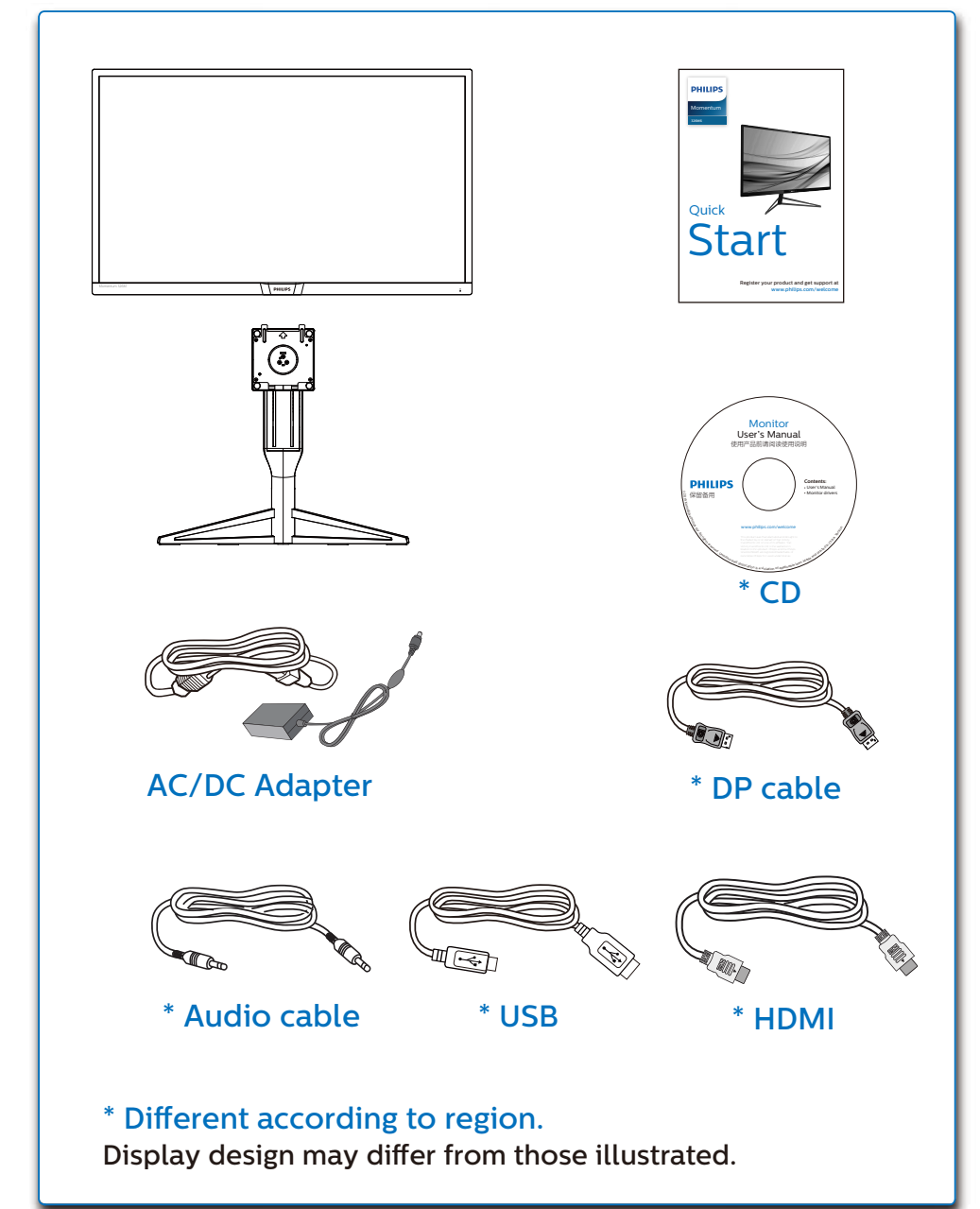
Q41G32M181347A

www.philips.com



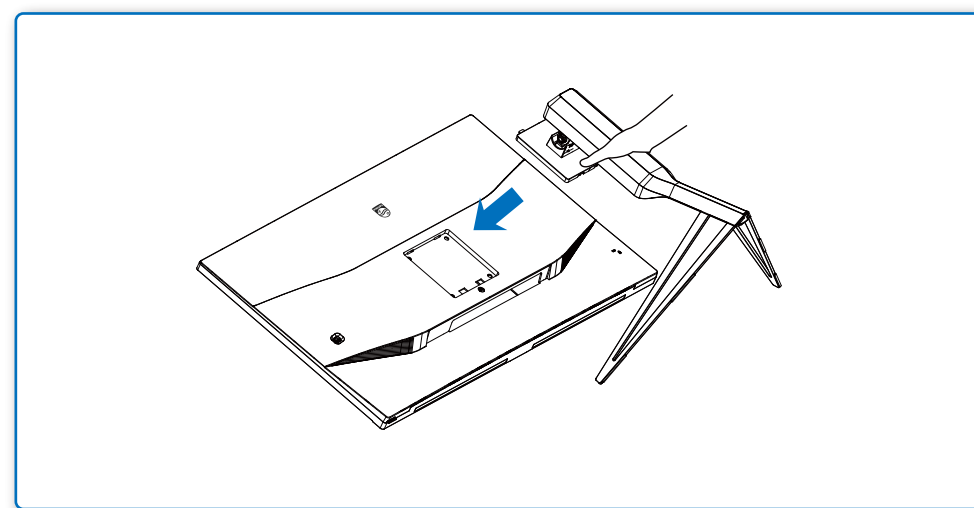
Quick Start

Register your product and get support at www.philips.com/welcome

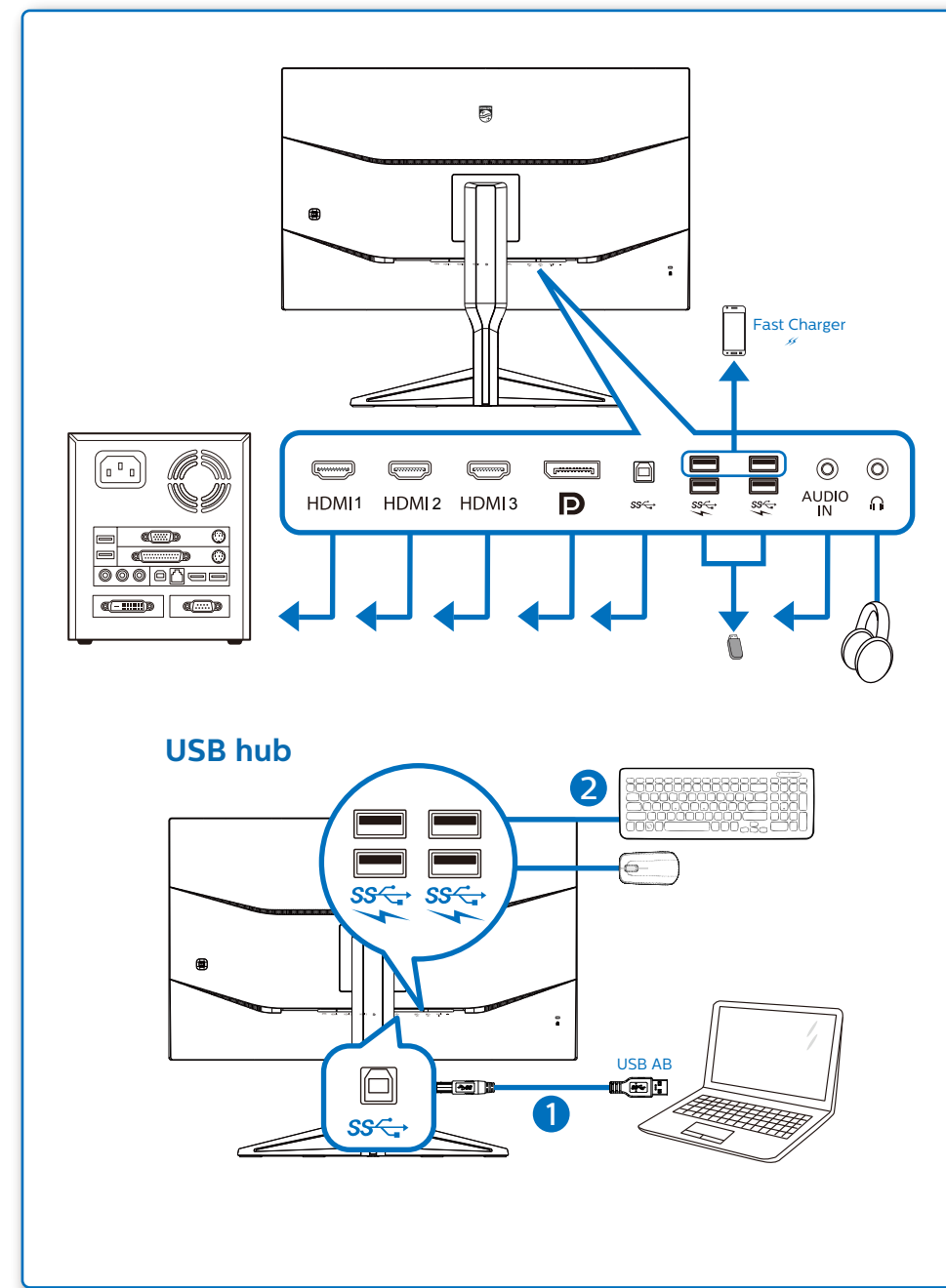
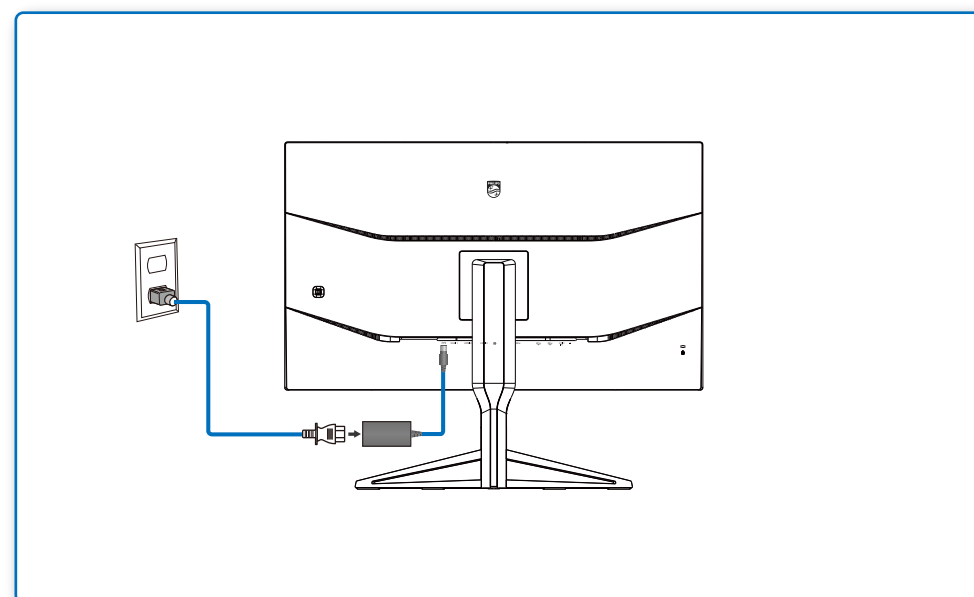


* Different according to region.
Display design may differ from those illustrated.

1



2



3

