



# **PRO Series**

## **LCD Monitor**

PRO MP243 (3PB5)

PRO MP243W (3PB5)

PRO MP273 (3PB4)

PRO MP273W (3PB4)

User Guide

# Contents

|                                   |    |
|-----------------------------------|----|
| Getting Started.....              | 3  |
| Package Contents.....             | 3  |
| Installing the Monitor Stand..... | 4  |
| Adjusting the Monitor.....        | 5  |
| Monitor Overview.....             | 6  |
| Connecting the Monitor to PC..... | 8  |
| OSD Setup.....                    | 9  |
| OSD Keys.....                     | 9  |
| OSD Menus.....                    | 10 |
| Professional.....                 | 10 |
| Image.....                        | 12 |
| Input Source.....                 | 13 |
| Navi Key.....                     | 13 |
| Setting.....                      | 14 |
| Specifications.....               | 16 |
| Preset Display Modes.....         | 18 |
| Troubleshooting.....              | 19 |
| Safety Instructions.....          | 20 |
| TÜV Rheinland Certification.....  | 22 |
| ENERGY STAR Certification.....    | 22 |
| Regulatory Notices.....           | 23 |

## Revision

V1.1, 2022/10

# Getting Started

This chapter provides you with the information on hardware setup procedures. While connecting devices, be careful in holding the devices and use a grounded wrist strap to avoid static electricity.

## Package Contents

|                      |  |
|----------------------|--|
| <b>Monitor</b>       | PRO MP243<br>PRO MP243W<br>PRO MP273<br>PRO MP273W |
| <b>Documentation</b> | Quick Start Guide                                  |
| <b>Accessories</b>   | Power Cord   |
|                      | External Power Supply                              |
| <b>Cables</b>        | High Speed HDMI™ Cable (Optional)                  |

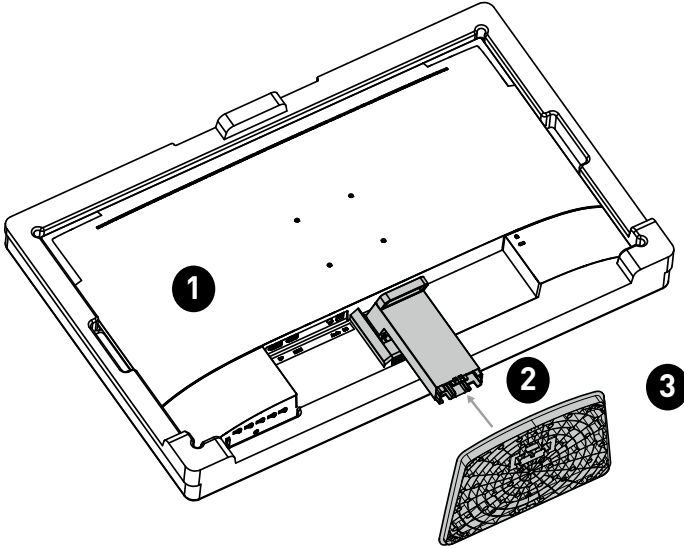


### **Important**

- *Contact your place of purchase or local distributor if any of the items is damaged or missing.*
- *Package contents may vary by country.*
- *The included power cord is exclusively for this monitor and should not be used with other products.*

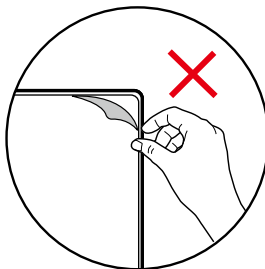
## Installing the Monitor Stand

1. Leave the monitor in its protective foam packaging. Align the stand bracket to the monitor.
2. Connect the base to the stand to secure the base.
3. Make sure the stand assembly is properly installed before setting the monitor upright.



### Important

- Place the monitor on a soft, protected surface to avoid scratching the display panel.
- Do not use any sharp objects on the panel.
- The back of the monitor can also be used for wall mount. Please contact your dealer for proper wall mount kit.
- **This product comes with NO protective film to be removed by the user! Any mechanical damages to the product including removal of the polarizing film may affect the warranty!**

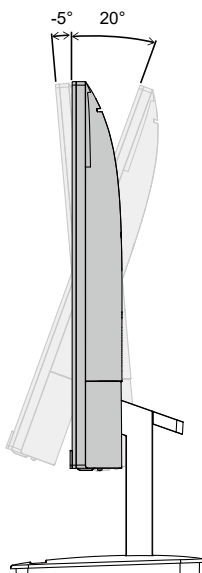


## Adjusting the Monitor

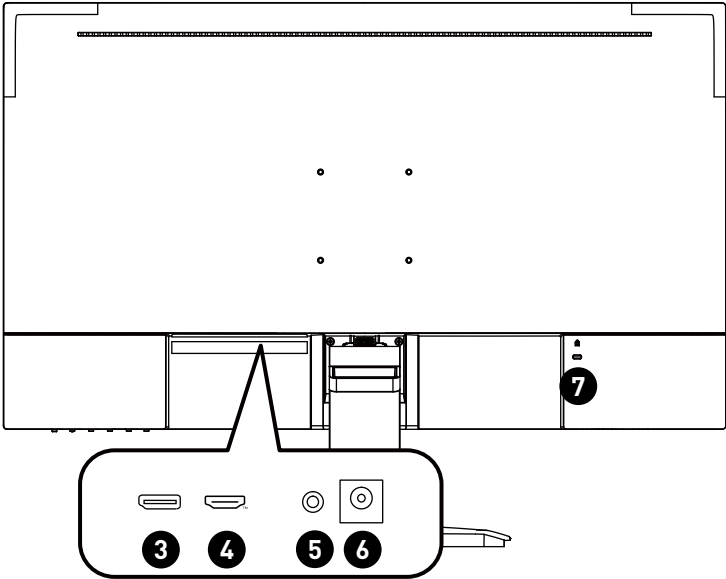
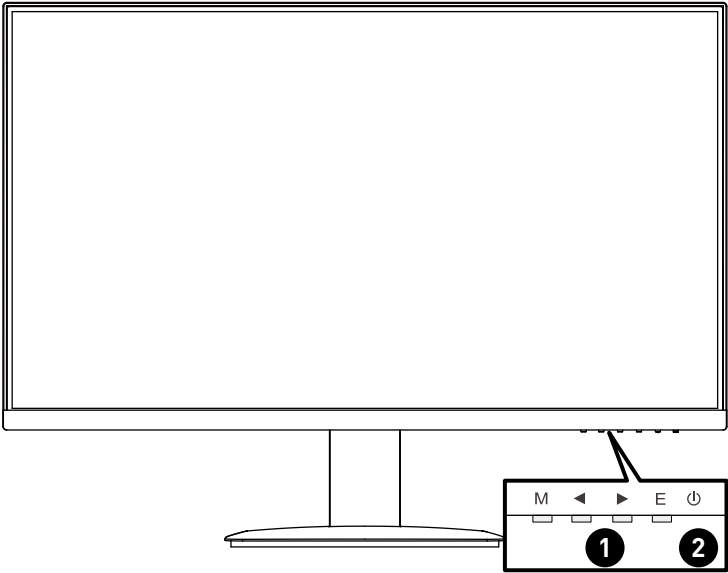
This monitor is designed to maximize your viewing comfort with its adjustment capabilities.


### **Important**

- *Avoid touching the display panel when adjusting the monitor.*
- *Please slightly tilt the monitor backwards before pivoting it.*



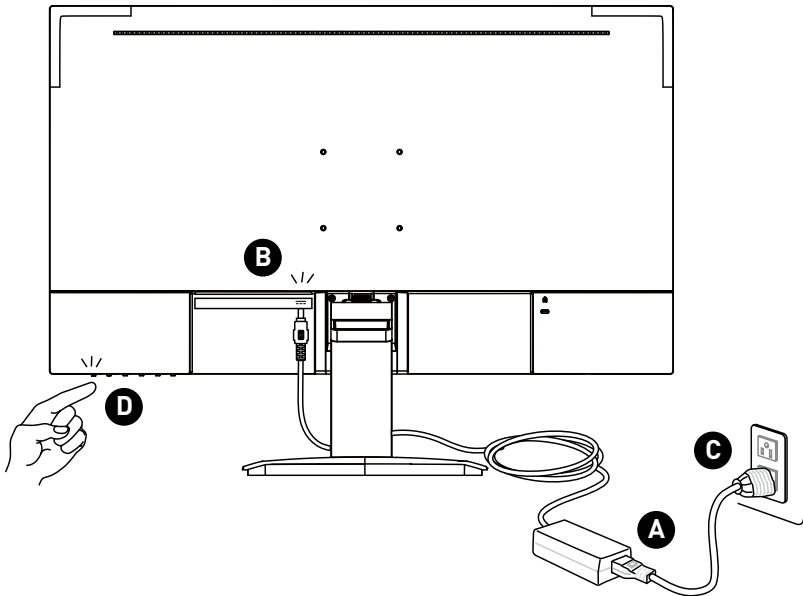
# Monitor Overview



|          |  |
|----------|--|
| <b>1</b> | <b>OSD Keys</b>  |
| <b>2</b> | <b>Power Button / Power LED</b><br>Lit in white after the monitor is turned on. If no signal input, the LED will turn into orange. Lit in orange when the monitor is in Stand-by mode. |
| <b>3</b> | <b>DisplayPort</b>   |
| <b>4</b> | <b>HDMI™ Connector</b> <br>Supports 1920x1080@75Hz as specified in HDMI™ 1.4b.                        |
| <b>5</b> | <b>Headphone Jack</b>  |
| <b>6</b> | <b>Power Jack</b>  |
| <b>7</b> | <b>Kensington Lock</b>   |

## Connecting the Monitor to PC

1. Turn off your computer.
2. Connect the video cable from the monitor to your computer.
3. Assemble the external power supply & power cord. (Figure A)
4. Connect the external power supply to the monitor power jack. (Figure B)
5. Plug the power cord into the electrical outlet. (Figure C)
6. Turn on the monitor. (Figure D)
7. Power on the computer and the monitor will auto detect the signal source.





# OSD Setup

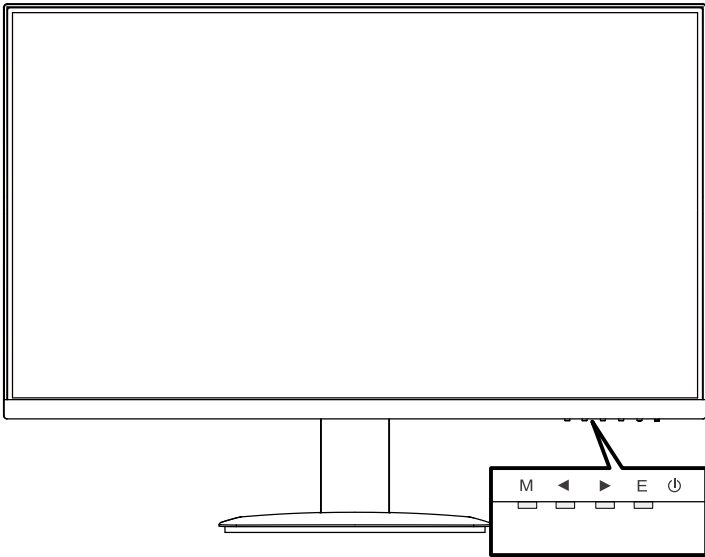
This chapter provides you with essential information on OSD Setup.



*All information is subject to change without prior notice.*

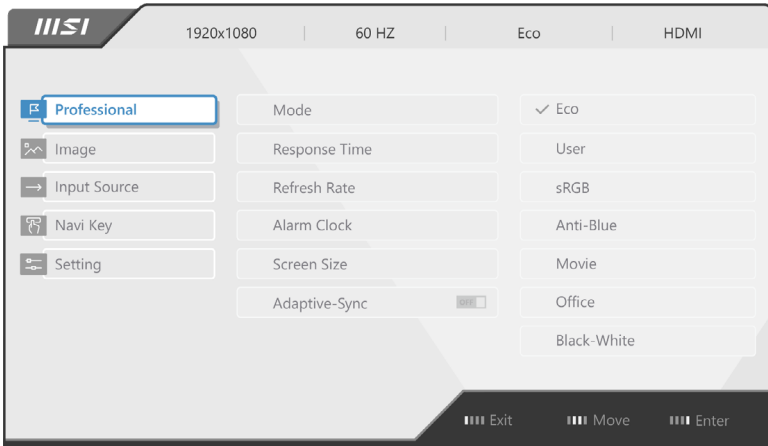
## OSD Keys

The monitor comes with a set of OSD Keys that help to control the On-Screen Display (OSD) menu.



| OSD Key | Hot Key (When OSD is OFF)  | OSD Setup (When OSD is ON)  |
|---------|--|---|
| M       | <ul style="list-style-type: none"><li>Activating the OSD Main Menu</li></ul> | <ul style="list-style-type: none"><li>Entering the submenus.</li><li>Confirming a selection or setting.</li></ul> |
| ◀       | <ul style="list-style-type: none"><li>Mode</li></ul>                         |   |
| ▶       | <ul style="list-style-type: none"><li>Input Source</li></ul>                 |   |
| E       | <ul style="list-style-type: none"><li>Audio Volume</li></ul>                 |   |

# OSD Menus



## Important

When receiving HDR signals, HDCR and Brightness will be grayed out.

## Professional

| 1st Level Menu | 2nd/3rd Level Menu | Description  |
|----------------|--------------------|--|
| Mode           | Eco                | <ul style="list-style-type: none"> <li>Use Up or Down Button to select and preview mode effects.</li> <li>Press the E Button to confirm and apply your mode type.</li> </ul> |
|                | User               |  |
|                | sRGB               |  |
|                | Anti-Blue          |  |
|                | Movie              |  |
|                | Office             |  |
|                | Black-White        |  |
| Response Time  | Normal             | <ul style="list-style-type: none"> <li>Users can adjust Response Time in any mode.</li> </ul>  |
|                | Fast               |  |
|                | Fastest            |  |

| 1st Level Menu | 2nd/3rd Level Menu |               | Description   |
|----------------|--------------------|---------------|---|
| Refresh Rate   | Location           | Left Top      | <ul style="list-style-type: none"> <li>• Location is adjustable in OSD Menu. Press the E Button to confirm and apply your Refresh Rate Location.</li> <li>• This monitor follows and works at the Operating System's preset Screen Refresh Rate.</li> </ul> |
|                |                    | Right Top     |   |
|                |                    | Left Bottom   |   |
|                |                    | Right Bottom  |   |
|                | OFF                |               |   |
| ON             |                    |               |   |
| Alarm Clock    | Location           | Left Top      | <ul style="list-style-type: none"> <li>• After setting the time, press the E Button to activate the timer.</li> <li>• Users have to manually restore their preset Alarm Clock after any AC power loss and reconnection.</li> </ul>                          |
|                |                    | Right Top     |   |
|                |                    | Left Bottom   |   |
|                |                    | Right Bottom  |   |
|                | OFF                |               |   |
|                | 15:00              | 00:01 ~ 99:59 |   |
|                | 30:00              |               |   |
|                | 45:00              |               |   |
| 60:00          |                    |               |   |
| Screen Size    | Auto               |               | <ul style="list-style-type: none"> <li>• Users can adjust Screen Size in any mode, any resolution and any screen refresh rate.</li> </ul>   |
|                | 4:3                |               |   |
|                | 16:9               |               |   |
| Adaptive-Sync  | OFF                |               | <ul style="list-style-type: none"> <li>• Adaptive-Sync prevents screen tearing.</li> </ul>  |
|                | ON                 |               |   |

## Image

| 1st Level Menu    | 2nd/3rd Level Menu | Description   |
|-------------------|--------------------|---|
| Brightness        | 0-100              | <ul style="list-style-type: none"> <li>Properly adjust Brightness according to the surrounding lighting.</li> <li>Brightness will be grayed out when HDCR is enabled.</li> </ul>  |
| Contrast          | 0-100              | <ul style="list-style-type: none"> <li>Properly adjust Contrast to relax your eyes.</li> </ul>  |
| Sharpness         | 0-5                | <ul style="list-style-type: none"> <li>Sharpness improves clarity and details of images.</li> </ul>   |
| Image Enhancement | OFF                | <ul style="list-style-type: none"> <li>Image Enhancement enhances image edges to improve their acutance.</li> </ul>   |
|                   | Weak               |   |
|                   | Medium             |   |
|                   | Strong             |   |
|                   | Strongest          |   |
| Low Blue Light    | OFF                | <ul style="list-style-type: none"> <li>Low Blue Light protects your eyes against blue light. When enabled, Low Blue Light adjusts the screen color temperature to a more yellow glow.</li> <li>When Mode is set to Anti-Blue, it is mandatory to enable Low Blue Light.</li> <li>This monitor is a Low Blue Light monitor which will decrease the blue light emitted without adjusting the OSD settings.</li> </ul> |
|                   | ON                 |   |
| HDCR              | OFF                | <ul style="list-style-type: none"> <li>HDCR enhances image quality by increasing the contrast of images.</li> <li>When HDCR is set to ON, Brightness will be grayed out.</li> </ul>   |
|                   | ON                 |   |

| 1st Level Menu    | 2nd/3rd Level Menu | Description   |           |
|-------------------|--------------------|---|-----------|
| Color Temperature | Cool               | <ul style="list-style-type: none"> <li>• Use Up or Down Button to select and preview mode effects.</li> <li>• Press the E Button to confirm and apply your mode type.</li> <li>• Users can adjust Color Temperature in Customization mode.</li> </ul> |           |
|                   | Normal             |   |           |
|                   | Warm               |   |           |
|                   | Customization      |   | R (0-100) |
|                   |                    |   | G (0-100) |
| B (0-100)         |                    |   |           |

## Input Source

| 1st Level Menu | 2nd Level Menu | Description  |
|----------------|----------------|--|
| HDMI™          |                | <ul style="list-style-type: none"> <li>• Select an Input Source from the list.</li> </ul>  |
| DP             |                |  |
| Auto Scan      | OFF            | <ul style="list-style-type: none"> <li>• Users can use the Navi Key to select Input Source at below status:</li> <li>• While "Auto Scan" is set to "OFF" with the monitor at power saving mode;</li> <li>• While "No Signal" message box is shown on the monitor.</li> </ul> |
|                | ON             |  |

## Navi Key

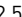


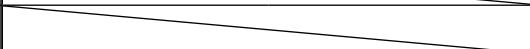
| 1st Level Menu         | 2nd Level Menu  | Description   |
|------------------------|-----------------|---|
| Enter<br>Left<br>Right | OFF             | <ul style="list-style-type: none"> <li>• All Navi Key items can be adjusted via OSD Menus.</li> </ul> |
|                        | Brightness      |   |
|                        | Mode            |   |
|                        | Alarm Clock     |   |
|                        | Input Source    |   |
|                        | Refresh Rate    |   |
|                        | Info. On Screen |   |
|                        | Audio Volume    |   |

## Setting

| 1st Level Menu | 2nd Level Menu               | Description  |
|----------------|------------------------------|--|
| Language       | 繁體中文                         | <ul style="list-style-type: none"> <li>• Users have to press the E Button to confirm and apply the Language setting.</li> <li>• Language is an independent setting. Users' own language setting will override the factory default. When users set Reset to Yes, Language will not be changed.</li> </ul> |
|                | English                      |  |
|                | Français                     |  |
|                | Deutsch                      |  |
|                | Italiano                     |  |
|                | Español                      |  |
|                | 한국어                          |  |
|                | 日本語                          |  |
|                | Русский                      |  |
|                | Português                    |  |
|                | 简体中文                         |  |
|                | Bahasa Indonesia             |  |
|                | Türkçe                       |  |
|                | (More languages coming soon) |  |
| Transparency   | 0-5                          | <ul style="list-style-type: none"> <li>• Users can adjust Transparency in any mode.</li> </ul>   |
| OSD Time Out   | 5-30s                        | <ul style="list-style-type: none"> <li>• Users can adjust OSD Time Out in any mode.</li> </ul>   |
| Power Button   | OFF                          | <ul style="list-style-type: none"> <li>• When set to OFF, users can press the power button to turn off the monitor.</li> </ul>   |
|                | Standby                      | <ul style="list-style-type: none"> <li>• When set to Standby, users can press the power button to turn off the panel and backlight.</li> </ul>   |

| 1st Level Menu  | 2nd Level Menu | Description  |
|-----------------|----------------|--|
| HDMI™ CEC       | OFF            | <ul style="list-style-type: none"> <li>• HDMI™ CEC (Consumer Electronics Control) supports Sony PlayStation®, Nintendo® Switch™, Xbox Series X S consoles and various audio-visual devices that are CEC-capable.</li> <li>• If HDMI™ CEC is set to ON: <ul style="list-style-type: none"> <li>• The monitor will automatically power on when the CEC device is turned on.</li> <li>• The CEC device will enter power saving mode when the monitor is turned off.</li> <li>• When Sony PlayStation®, Nintendo® Switch™, or Xbox Series X S console is connected, Mode will be automatically set to Eco mode (Default) and can be adjusted to users' preferred modes later.</li> </ul> </li> </ul> |
|                 | ON             |  |
| Info. On Screen | OFF            | <ul style="list-style-type: none"> <li>• The information of the monitor status will be shown on the right side of the screen.</li> <li>• Users can enable or disable the Info. On Screen.</li> </ul>   |
|                 | ON             |  |
| Audio Volume    | 0-100          | <ul style="list-style-type: none"> <li>• Users can adjust Audio Volume in any mode.</li> </ul>   |
| Reset           | YES            | <ul style="list-style-type: none"> <li>• Users can Reset and restore settings to original OSD Default in any mode.</li> </ul>  |
|                 | NO             |  |

# Specifications

| Model                 | PRO MP243<br>PRO MP243W  | PRO MP273<br>PRO MP273W |
|-----------------------|--|-------------------------|
| Size                  | 23.8 inch  | 27 inch                 |
| Curvature             | Flat   |                         |
| Panel Type            | IPS  |                         |
| Resolution            | 1920 x 1080  |                         |
| Aspect Ratio          | 16:9   |                         |
| Brightness (nits)     | 250 (typ.)   |                         |
| Contrast Ratio        | 1000:1   |                         |
| Refresh Rate          | 75Hz   |                         |
| Response Time         | 5ms (GtG)  |                         |
| I/O                   | <ul style="list-style-type: none"> <li>• Power Jack x1</li> <li>• DisplayPort x1</li> <li>• HDMI™ Connector x1</li> <li>• Headphone Jack x1</li> </ul> |                         |
| View Angles           | 178°(H) , 178°(V)  |                         |
| DCI-P3*/ sRGB         | 77% / 97%  | 86% / 108%              |
| Surface Treatment     | Anti-glare   |                         |
| Display Colors        | 16.7M (8 bit)  |                         |
| Speaker               | 2W x2  |                         |
| Monitor Power Options | 12V  2.5A   |                         |
| External Power Supply | Model: ADS-40NP-12-1 12030E  |                         |
| Power Input           | 100~240Vac, 50~60Hz, 1.0A Max  |                         |
| Power Output          | 12V  2.5A   |                         |
| Adjustment (Tilt)     | -5° ~ 20°  |                         |
| Adjustment (Height)   |   |                         |
| Adjustment (Swivel)   |   |                         |



| Model                 |           | PRO MP243<br>PRO MP243W   | PRO MP273<br>PRO MP273W          |
|-----------------------|-----------|---|----------------------------------|
| Adjustment (Pivot)    |           |   |                                  |
| Kensington Lock       |           | Yes   |                                  |
| VESA Mounting         |           | <ul style="list-style-type: none"> <li>• Plate Type: 75 x 75 mm</li> <li>• Screw Type: M4 x 10 mm <ul style="list-style-type: none"> <li>• Thread Diameter: 4 mm</li> <li>• Thread Pitch: 0.7 mm</li> <li>• Thread Length: 10 mm</li> </ul> </li> </ul> |                                  |
| Dimension (W x D x H) |           | 541.93 x 182.16 x 421.79 mm   | 613.50 x 181.10 x 462.60 mm      |
| Weight                |           | 2.95 Kg (net) /<br>4.15 Kg (gross)  | 3.9 Kg (net) /<br>5.3 Kg (gross) |
| Environment           | Operating | <ul style="list-style-type: none"> <li>• Temperature: 0°C to 40°C</li> <li>• Humidity: 20% to 90%, non-condensng</li> <li>• Altitude: 0 ~ 5000m</li> </ul>  |                                  |
|                       | Storage   | <ul style="list-style-type: none"> <li>• Temperature: -20°C to 60°C</li> <li>• Humidity: 10% to 90%, non-condensing</li> </ul>  |                                  |

\* Based on CIE1976 test standards.

# Preset Display Modes



**Important**

All information is subject to change without prior notice.

| Standard                      | Resolution  |       | PRO MP243  | PRO MP273  |
|-------------------------------|-------------|-------|------------|------------|
|                               |             |       | PRO MP243W | PRO MP273W |
|                               |             |       | HDMI™      | DP         |
| VGA                           | 640x480     | @60Hz | V          | V          |
|                               |             | @67Hz | V          | V          |
|                               |             | @72Hz | V          | V          |
|                               |             | @75Hz | V          | V          |
| Dos-Mode                      | 720x480     | @60Hz | V          | V          |
|                               | 720x576     | @50Hz | V          | V          |
| SVGA                          | 800x600     | @56Hz | V          | V          |
|                               |             | @60Hz | V          | V          |
|                               |             | @72Hz | V          | V          |
|                               |             | @75Hz | V          | V          |
| XGA                           | 1024x768    | @60Hz | V          | V          |
|                               |             | @70Hz | V          | V          |
|                               |             | @75Hz | V          | V          |
| SXGA                          | 1280x1024   | @60Hz | V          | V          |
|                               |             | @75Hz | V          | V          |
| WXGA+                         | 1440x900    | @60Hz | V          | V          |
| WSXGA+                        | 1680x1050   | @60Hz | V          | V          |
| Full HD                       | 1920x1080   | @60Hz | V          | V          |
|                               |             | @75Hz | V          | V          |
| Video<br>Timing<br>Resolution | 480P        |       | V          | V          |
|                               | 720P        |       | V          | V          |
|                               | 1080P @60Hz |       | V          | V          |

# Troubleshooting

## **The power LED is off.**

- Press the monitor power button again.
- Check if the monitor power cable is properly connected.

## **No image.**

- Check if the computer graphics card is properly installed.
- Check if the computer and monitor are connected to electrical outlets and are turned on.
- Check if the monitor signal cable is properly connected.
- The computer may be in Standby mode. Press any key to activate the monitor.

## **The screen image is not properly sized or centered.**

- Refer to Preset Display Modes to set the computer to a setting suitable for the monitor to display.

## **No Plug & Play.**

- Check if the monitor power cable is properly connected.
- Check if the monitor signal cable is properly connected.
- Check if the computer and graphics card are Plug & Play compatible.

## **The icons, font or screen are fuzzy, blurry or have color problems.**

- Avoid using any video extension cables.
- Adjust brightness and contrast.
- Adjust RGB color or tune color temperature.
- Check if the monitor signal cable is properly connected.
- Check for bent pins on the signal cable connector.

## **The monitor starts flickering or shows waves.**

- Change the refresh rate to match the capabilities of your monitor.
- Update your graphics card drivers.
- Keep the monitor away from electrical devices that may cause electromagnetic interference (EMI).

# Safety Instructions

- Read the safety instructions carefully and thoroughly.
- All cautions and warnings on the device or User Guide should be noted.
- Refer servicing to qualified personnel only.

## Power

- Make sure that the power voltage is within its safety range and has been adjusted properly to the value of 100~240V before connecting the device to the power outlet.
- If the power cord comes with a 3-pin plug, do not disable the protective earth pin from the plug. The device must be connected to an earthed mains socket-outlet.
- Please confirm the power distribution system in the installation site shall provide the circuit breaker rated 120/240V, 20A (maximum).
- Always disconnect the power cord or switch the wall socket off if the device would be left unused for a certain time to achieve zero energy consumption.
- Place the power cord in a way that people are unlikely to step on it. Do not place anything on the power cord.
- If this device comes with an adapter, use only the MSI provided AC adapter approved for use with this device.

## Battery

Please take special precautions if this device comes with a battery.

- Danger of explosion if battery is incorrectly replaced. Replace only with the same or equivalent type recommended by the manufacturer.
- Avoid disposal of a battery into fire or a hot oven, or mechanically crushing or cutting of a battery, which can result in an explosion.
- Avoid leaving a battery in an extremely high temperature or extremely low air pressure environment that can result in an explosion or the leakage of flammable liquid or gas.
- Do not ingest battery. If the coin/button cell battery is swallowed, it can cause severe internal burns and can lead to death. Keep new and used batteries away from children.

### European Union:



Batteries, battery packs, and accumulators should not be disposed of as unsorted household waste. Please use the public collection system to return, recycle, or treat them in compliance with the local regulations.

### BSMI:



廢電池請回收

For better environmental protection, waste batteries should be collected separately for recycling or special disposal.

## California, USA:



The button cell battery may contain perchlorate material and requires special handling when recycled or disposed of in California. For further information please visit: <https://dtsc.ca.gov/perchlorate/>

## Environment

- To reduce the possibility of heat-related injuries or of overheating the device, do not place the device on a soft, unsteady surface or obstruct its air ventilators.
- Use this device only on a hard, flat and steady surface.
- To prevent the device from tipping over, secure the device to a desk, wall or fixed object with an anti-tip fastener that helps to properly support the device and keep it safe in place.
- To prevent fire or shock hazard, keep this device away from humidity and high temperature.
- Do not leave the device in an unconditioned environment with a storage temperature above 60°C or below -20°C, which may damage the device.
- The maximum operating temperature is around 40°C.
- When cleaning the device, be sure to remove the power plug. Use a piece of soft cloth rather than industrial chemical to clean the device. Never pour any liquid into the opening; that could damage the device or cause electric shock.
- Always keep strong magnetic or electrical objects away from the device.
- If any of the following situations arises, get the device checked by service personnel:
  - The power cord or plug is damaged.
  - Liquid has penetrated into the device.
  - The device has been exposed to moisture.
  - The device does not work well or you can not get it working according to the User Guide.
  - The device has dropped and damaged.
  - The device has obvious sign of breakage.

# TÜV Rheinland Certification

## TÜV Rheinland Low Blue Light Certification

Blue light has been shown to cause eye fatigue and discomfort. MSI now offers monitors with TÜV Rheinland Low Blue Light certification to ensure users' eye comfort and well-being. Please follow the instructions below to reduce the symptoms from extended exposure to the screen and blue light.



Low Blue Light  
(Hardware  
Solution)

[www.tuv.com](http://www.tuv.com)

- Place the screen 20 – 28 inches (50 – 70 cm) away from your eyes and a little below eye level.
- Consciously blinking the eyes every now and then will help to reduce eye strain after extended screen time.
- Take breaks for 20 minutes every 2 hours.
- Look away from the screen and gaze at a distant object for at least 20 seconds during breaks.
- Make stretches to relieve body fatigue or pain during breaks.
- Turn on the optional Low Blue Light function.

## TÜV Rheinland Flicker Free Certification

- TÜV Rheinland has tested this product to ascertain whether the display produces visible and invisible flicker for the human eye and therefore strains the eyes of users.
- TÜV Rheinland has defined a catalogue of tests, which sets out minimum standards at various frequency ranges. The test catalogue is based on internationally applicable standards or standards common within the industry and exceeds these requirements.
- The product has been tested in the laboratory according to these criteria.
- The keyword "Flicker Free" confirms that the device has no visible and invisible flicker defined in this standard within the range of 0 - 3000 Hz under various brightness settings.
- The display will not support Flicker Free when Anti Motion Blur/MPRT is enabled. (The availability of Anti Motion Blur/MPRT varies by products.)



Flicker Free

[www.tuv.com](http://www.tuv.com)

## ENERGY STAR Certification

ENERGY STAR is a program run by the U.S. Environmental Protection Agency (EPA) and U.S. Department of Energy (DOE) to promote energy efficiency. This product qualifies for ENERGY STAR in the "factory default" settings through which power savings will be achieved. Changing the factory default picture settings or enabling other features will increase power consumption, which could exceed the limits necessary to qualify for ENERGY STAR rating.



For more information on ENERGY STAR, refer to <https://www.energystar.gov/>.

# Regulatory Notices

## CE Conformity

This device complies with the requirements set out in the Council Directive on the Approximation of the Laws of the Member States relating to Electromagnetic Compatibility (2014/30/EU), Low-voltage Directive (2014/35/EU), ErP Directive (2009/125/EC) and RoHS directive (2011/65/EU). This product has been tested and found to comply with the harmonized standards for Information Technology Equipment published under Directives of Official Journal of the European Union.



## FCC-B Radio Frequency Interference Statement

This equipment has been tested and found to comply with the limits for a Class B digital device, pursuant to Part 15 of the FCC Rules. These limits are designed to provide reasonable protection against harmful interference in a residential installation. This equipment generates, uses and can radiate radio frequency energy and, if not installed and used in accordance with the instruction manual, may cause harmful interference to radio communications. However, there is no guarantee that interference will not occur in a particular installation. If this equipment does cause harmful interference to radio or television reception, which can be determined by turning the equipment off and on, the user is encouraged to try to correct the interference by one or more of the measures listed below:



- Reorient or relocate the receiving antenna.
- Increase the separation between the equipment and receiver.
- Connect the equipment into an outlet on a circuit different from that to which the receiver is connected.
- Consult the dealer or an experienced radio/television technician for help.

### Notice 1

The changes or modifications not expressly approved by the party responsible for compliance could void the user's authority to operate the equipment.

### Notice 2

Shielded interface cables and AC power cord, if any, must be used in order to comply with the emission limits.

This device complies with Part 15 of the FCC Rules. Operation is subject to the following two conditions:

1. This device may not cause harmful interference, and
2. This device must accept any interference received, including interference that may cause undesired operation.

### MSI Computer Corp.

901 Canada Court, City of Industry, CA 91748, USA

(626) 913-0828

[www.msi.com](http://www.msi.com)

## WEEE Statement

Under the European Union ("EU") Directive on Waste Electrical and Electronic Equipment, Directive 2012/19/EU, products of "electrical and electronic equipment" cannot be discarded as municipal waste anymore and manufacturers of covered electronic equipment will be obligated to take back such products at the end of their useful life.



## Chemical Substances Information

In compliance with chemical substances regulations, such as the EU REACH Regulation (Regulation EC No. 1907/2006 of the European Parliament and the Council), MSI provides the information of chemical substances in products at: <https://csr.msi.com/global/index>

## RoHS Statement

### Japan JIS C 0950 Material Declaration

A Japanese regulatory requirement, defined by specification JIS C 0950, mandates that manufacturers provide material declarations for certain categories of electronic products offered for sale after July 1, 2006. <https://csr.msi.com/global/Japan-JIS-C-0950-Material-Declarations>

### India RoHS

This product complies with the "India E-waste (Management and Handling) Rule 2016" and prohibits use of lead, mercury, hexavalent chromium, polybrominated biphenyls or polybrominated diphenyl ethers in concentrations exceeding 0.1 weight % and 0.01 weight % for cadmium, except for the exemptions set in Schedule 2 of the Rule.

### Turkey EEE Regulation

Conforms to the EEE Regulations of the Republic Of Turkey

### Ukraine Restriction of Hazardous Substances

The equipment complies with requirements of the Technical Regulation, approved by the Resolution of Cabinet of Ministry of Ukraine as of 10 March 2017, № 139, in terms of restrictions for the use of certain dangerous substances in electrical and electronic equipment.

### Vietnam RoHS

As from December 1, 2012, all products manufactured by MSI comply with Circular 30/2011/TT-BCT temporarily regulating the permitted limits for a number of hazardous substances in electronic and electric products.



## Green Product Features

- Reduced energy consumption during use and stand-by
- Limited use of substances harmful to the environment and health
- Easily dismantled and recycled
- Reduced use of natural resources by encouraging recycling
- Extended product lifetime through easy upgrades
- Reduced solid waste production through take-back policy

## Environmental Policy

- The product has been designed to enable proper reuse of parts and recycling and should not be thrown away at its end of life.
- Users should contact the local authorized point of collection for recycling and disposing of their end-of-life products.
- Visit the MSI website and locate a nearby distributor for further recycling information.
- Users may also reach us at [gpcontdev@msi.com](mailto:gpcontdev@msi.com) for information regarding proper disposal, take-back, recycling, and disassembly of MSI products.



## Warning!

Overuse of screens is likely to affect eyesight.

### Recommendations:

1. Take a 10-minute break for every 30 minutes of screen time.
2. Children under 2 years of age should have no screen time. For children aged 2 years and over, screen time should be limited to less than one hour per day.

## Copyright and Trademarks Notice

Copyright © Micro-Star Int'l Co., Ltd. All rights reserved. The MSI logo used is a registered trademark of Micro-Star Int'l Co., Ltd. All other marks and names mentioned may be trademarks of their respective owners. No warranty as to accuracy or completeness is expressed or implied. MSI reserves the right to make changes to this document without prior notice.

## Technical Support

If a problem arises with your product and no solution can be obtained from the user's manual, please contact your place of purchase or local distributor. Alternatively, please visit <https://www.msi.com/support/> for further guidance.