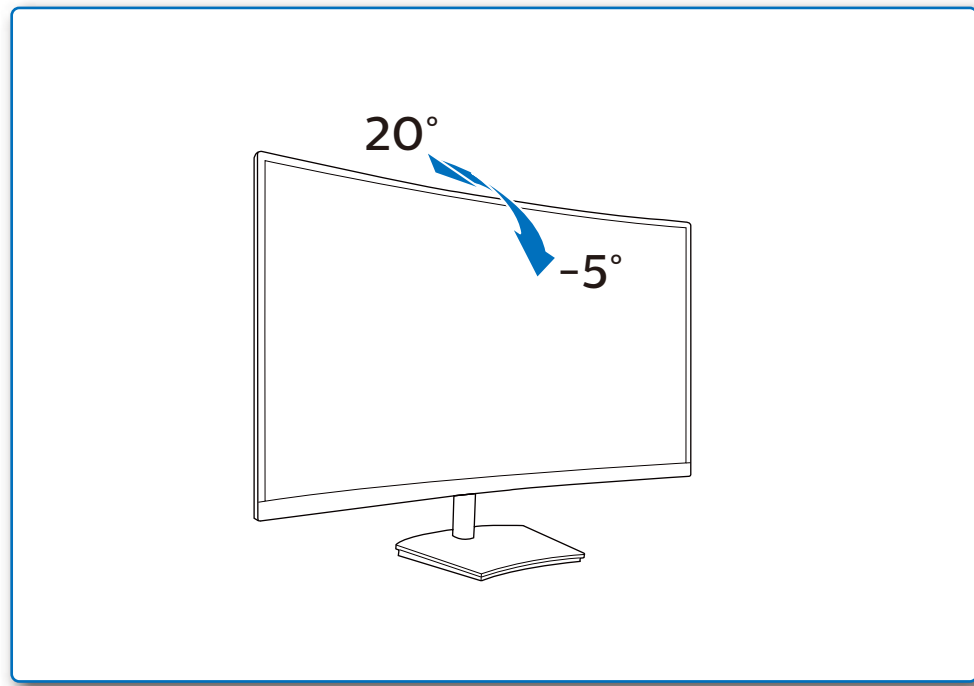
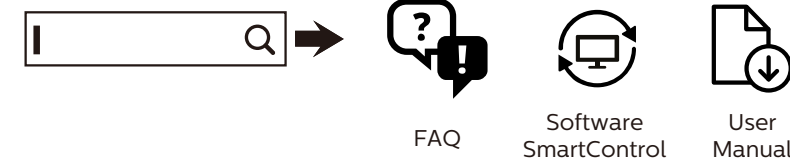


4



Register your product and get support at [www.philips.com/support](http://www.philips.com/support)



Version: M1322EGCQ1WWT  
2020 © TOP Victory Investments Ltd. All rights reserved.

This product has been manufactured by and is sold under the responsibility of Top Victory Investments Ltd., and Top Victory Investments Ltd. is the warrantor in relation to this product. Philips and the Philips Shield Emblem are registered trademarks of Koninklijke Philips N.V. and are used under license.

Specifications are subject to change without notice.

**HDMI**

The terms HDMI, HDMI High-Definition Multimedia Interface, and the HDMI Logo are trademarks or registered trademarks of HDMI Licensing Administrator, Inc.

[www.philips.com](http://www.philips.com)



Printed in China



Q41G32M181382B

**PHILIPS**

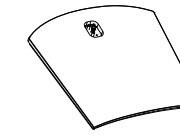
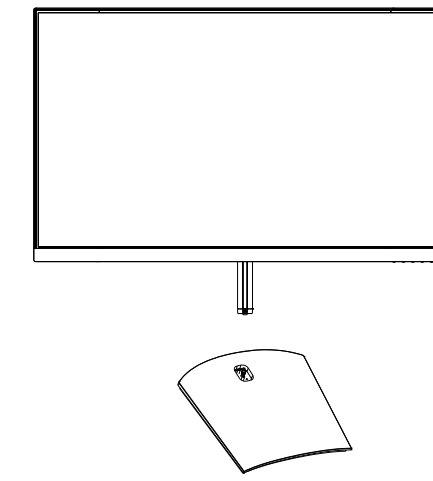
Gaming monitor

322E1



# Quick Start

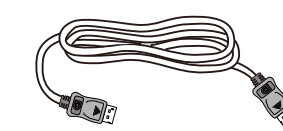
Register your product and get support at [www.philips.com/welcome](http://www.philips.com/welcome)



Power



\* CD



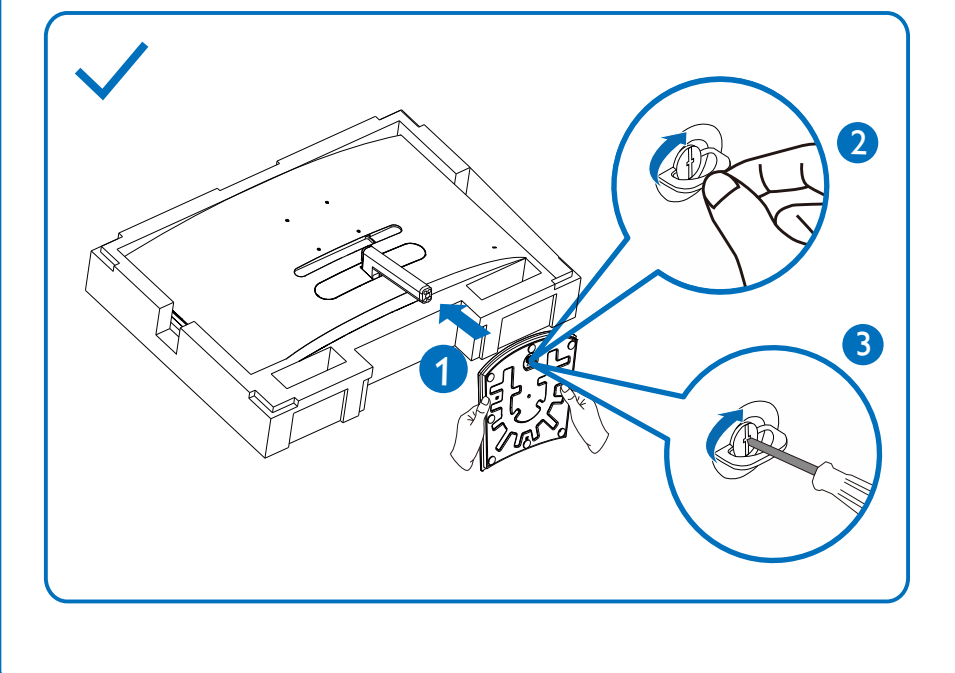
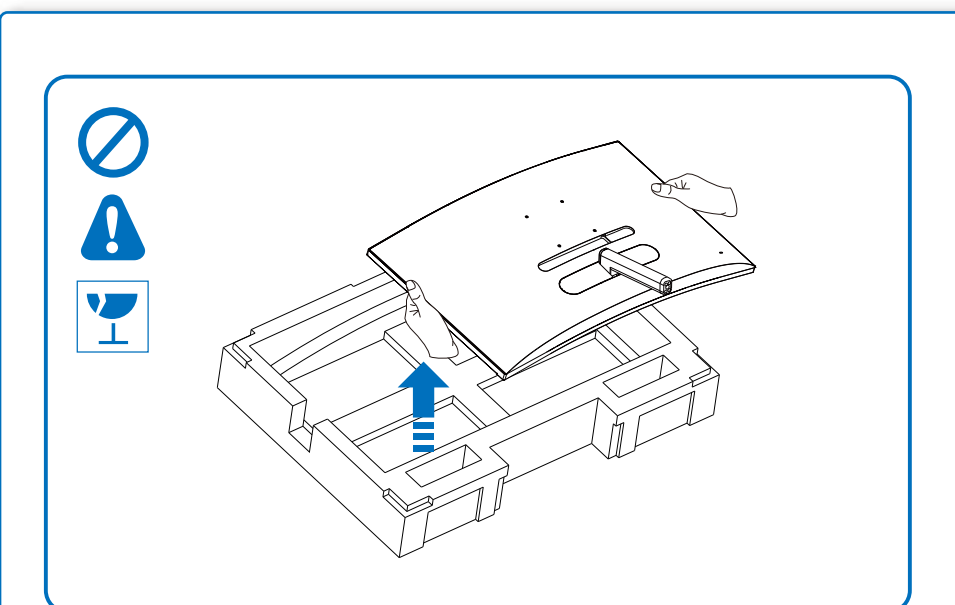
\* DP



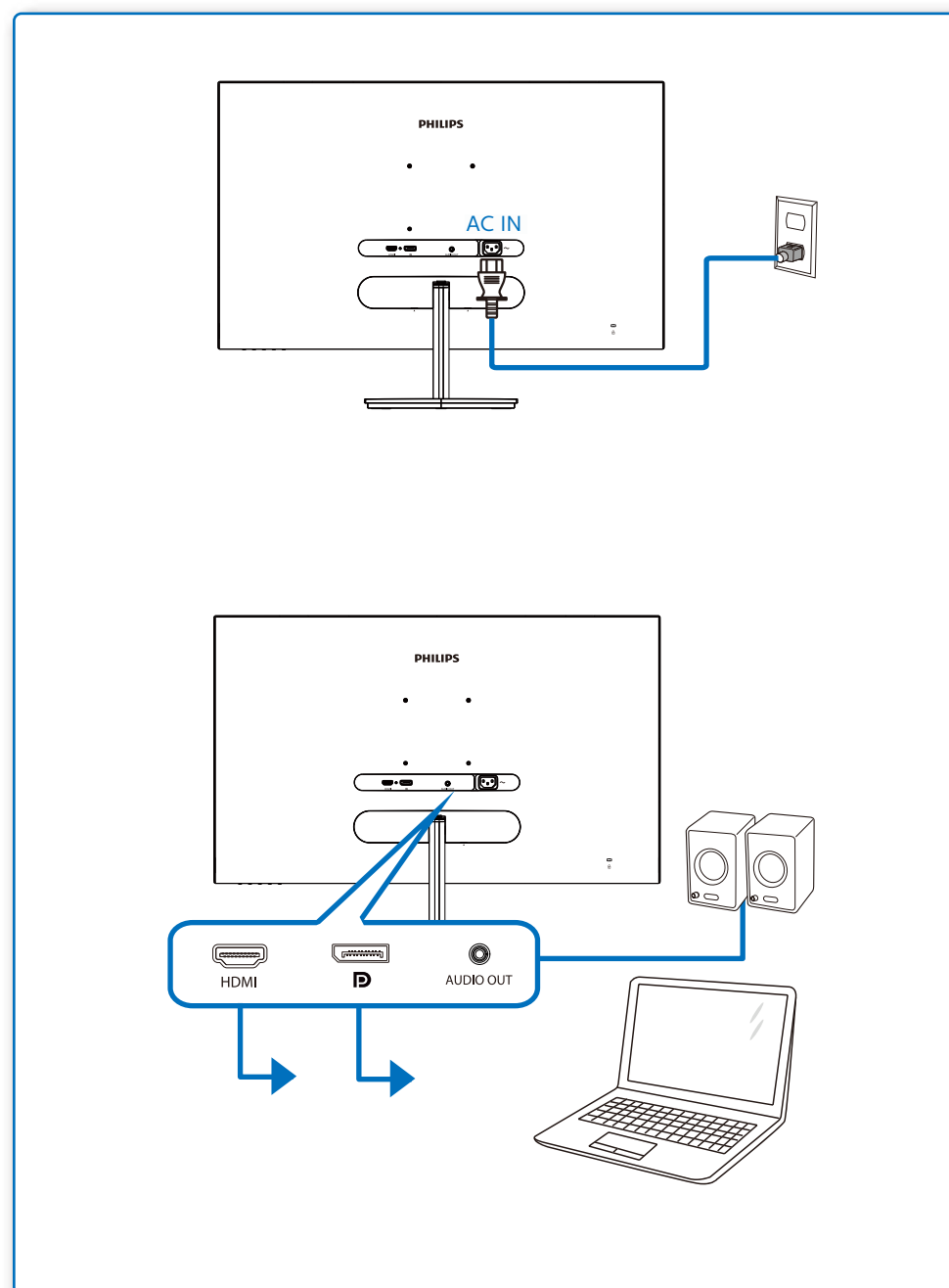
\* HDMI

\* Different according to region.  
Display design may differ from those illustrated.

1



2



3

