

GRAPHIC DEVELOPMENT MMD

Product name  
Project name **QSG**  
Project no.  
Finishing **Folded sheet**  
Scale **1:1**  
Size Speads **594 (W) x 210 (H) mm**  
Size **148.5 (W) x 210 (H) mm**

Operator(s)  
Date amended

VERSION No.

APPROVAL

QC Lithographer  
Product Manager  
Date Check

ARTWORK DOCUMENT

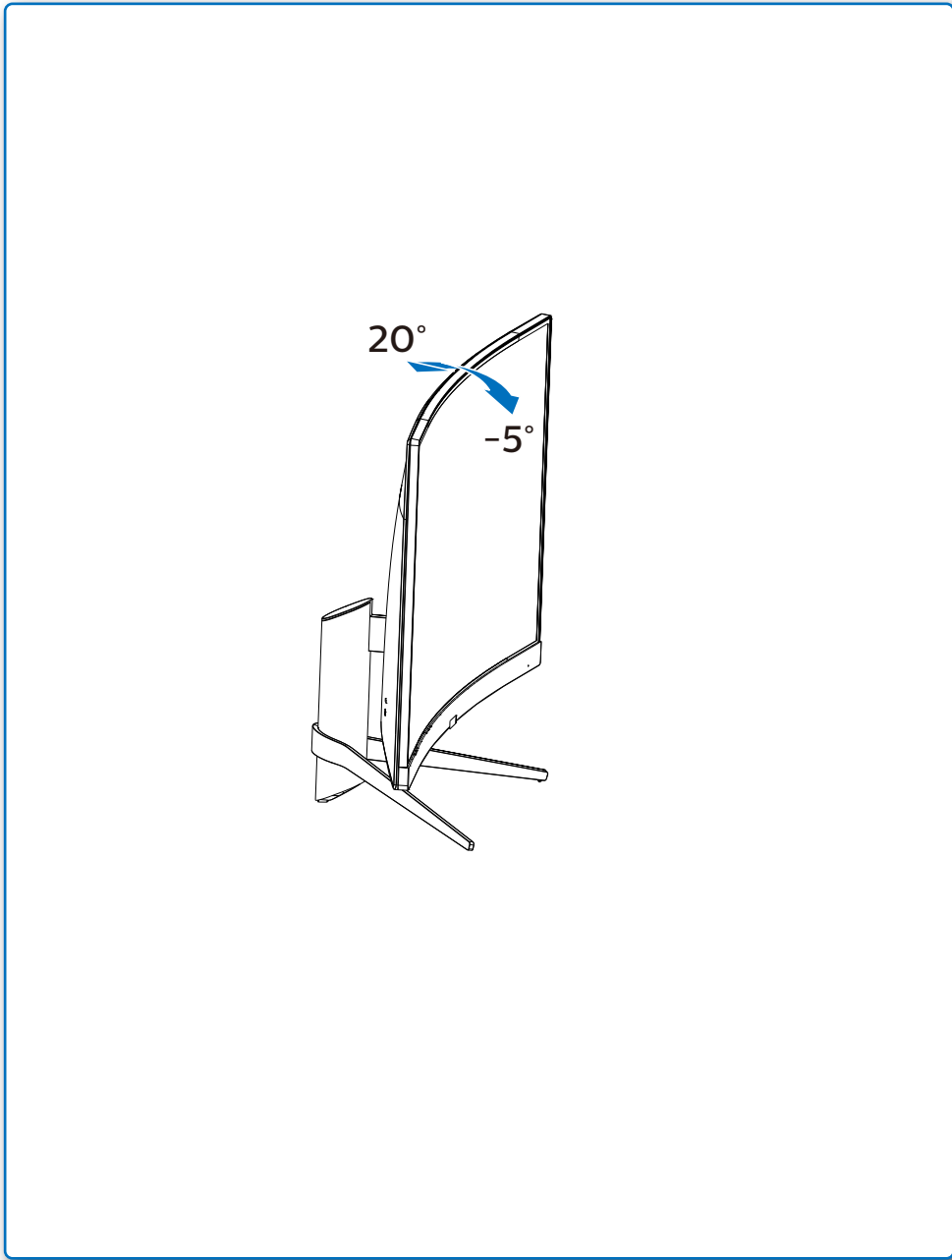
Paper **80gsm White, woodfree coated**  
Numbers of colours **2C2C**

Spotcolor

Aftertreatment

Cropping  
 Coating  
 Varnishing  
 Embossing  
 Cutterguide  
 Die-cut  
 Binding  
 Glue

4



**EN** Need help?  
Online help: [www.philips.com/support](http://www.philips.com/support)  
**SC** 需要帮助?  
在线帮助: [www.philips.com/support](http://www.philips.com/support)

- FR** Besoin d'Aide ?  
Aide en ligne: [www.philips.com/support](http://www.philips.com/support)
- ES** ¿Necesita ayuda?  
Ayuda en línea: [www.philips.com/support](http://www.philips.com/support)
- DE** Benötigen Sie Hilfe?  
Online-Hilfe: [www.philips.com/support](http://www.philips.com/support)
- IT** Avete bisogno di aiuto?  
Guida in linea: [www.philips.com/support](http://www.philips.com/support)
- BR** Precisa ajuda?  
Ajuda online: [www.philips.com/support](http://www.philips.com/support)
- KO** 도움이 필요하십니까?  
온라인 도움말: [www.philips.com/support](http://www.philips.com/support)
- UK** Потребуйте допомоги?  
Підтримка он-лайн: [www.philips.com/support](http://www.philips.com/support)
- RU** Нужна помощь?  
Интерактивная справка: [www.philips.com/support](http://www.philips.com/support)
- TR** Yardıma ihtiyacınız var mı?  
Online yardım: [www.philips.com/support](http://www.philips.com/support)
- H** क्या सहायता की जरूरत है?  
ऑनलाइन सहायता: [www.philips.com/support](http://www.philips.com/support)
- AR** هل تريد المساعدة?  
[www.philips.com/support](http://www.philips.com/support) للمساعدة عبر الإنترنت
- JP** ヘルプが必要ですか?  
オンラインヘルプ: [www.philips.com/support](http://www.philips.com/support)

Version: M7325MQ1T

© 2018 Koninklijke Philips N.V. All rights reserved.

This product was manufactured and brought to the market by or on behalf of Top Victory Investments Ltd. or one of its affiliates. Top Victory Investments Ltd. is the warrantor in relation to this product. Philips and the Philips Shield Emblem are registered trademarks of Koninklijke Philips N.V. used under license.

Specifications are subject to change without notice.

[www.philips.com](http://www.philips.com)

**HDMI**

HDMI trademark and related patents on technologies belong to their respective owners.



Printed in China



Q41G32M181348A

PHILIPS

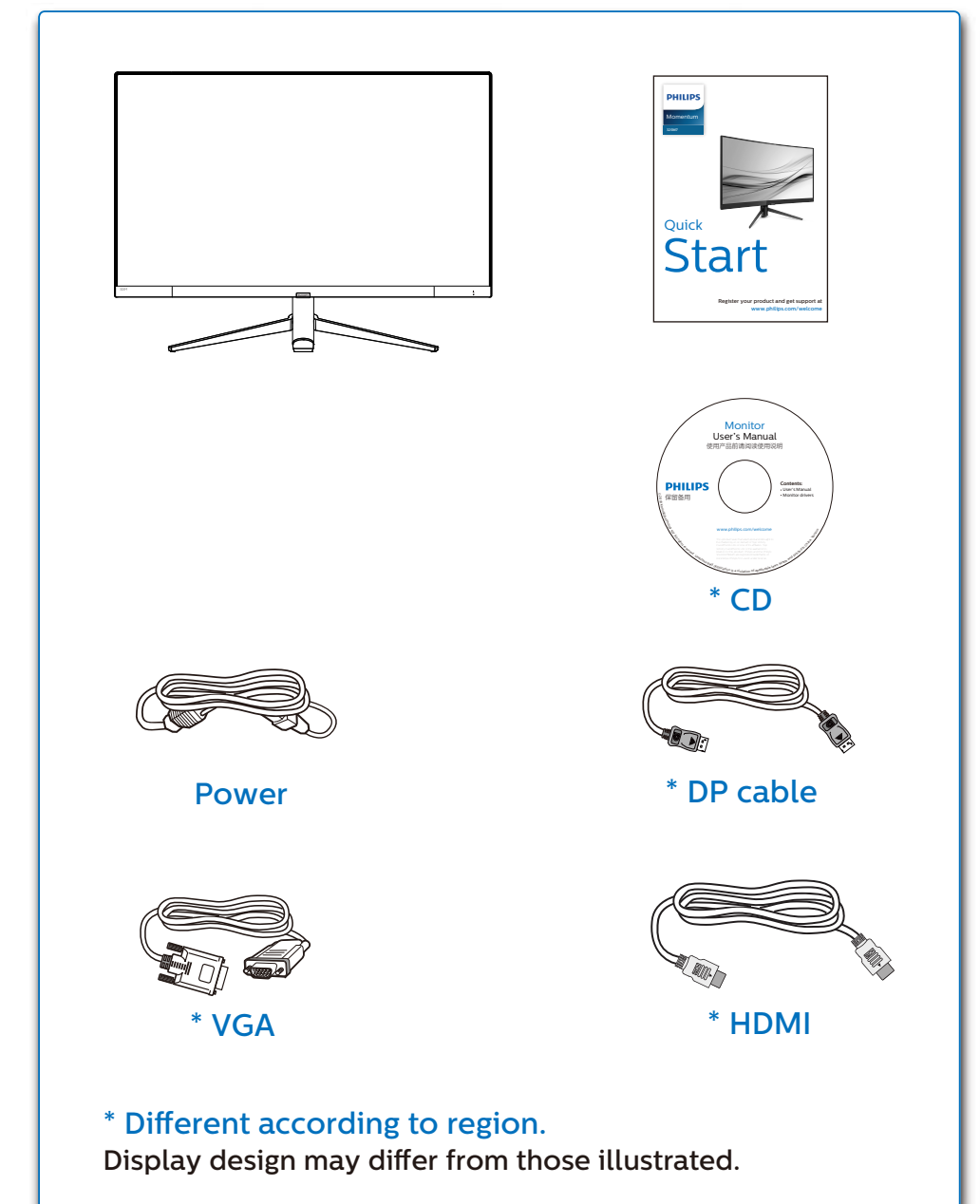
Momentum

325M7



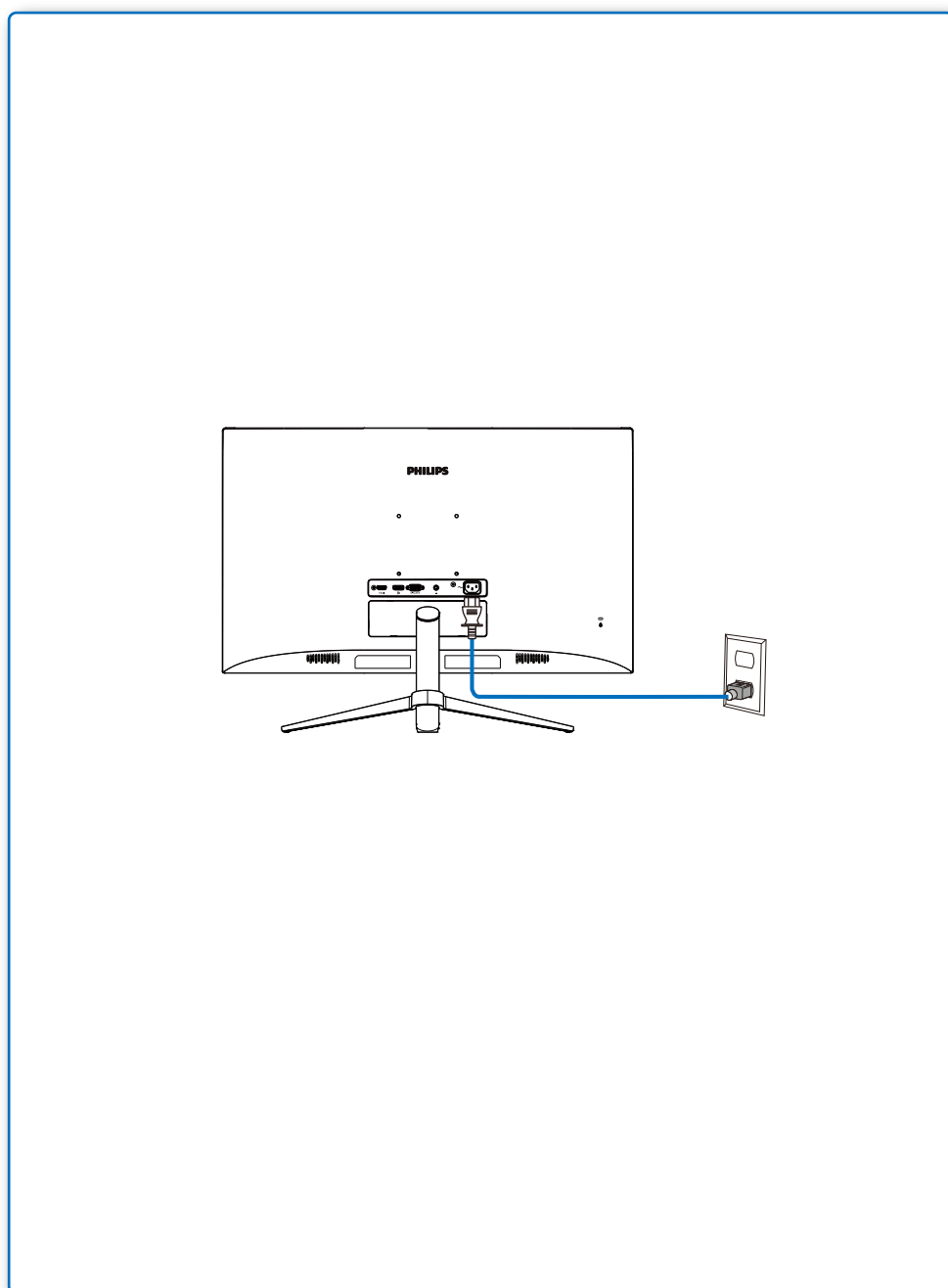
Quick  
Start

Register your product and get support at  
[www.philips.com/welcome](http://www.philips.com/welcome)

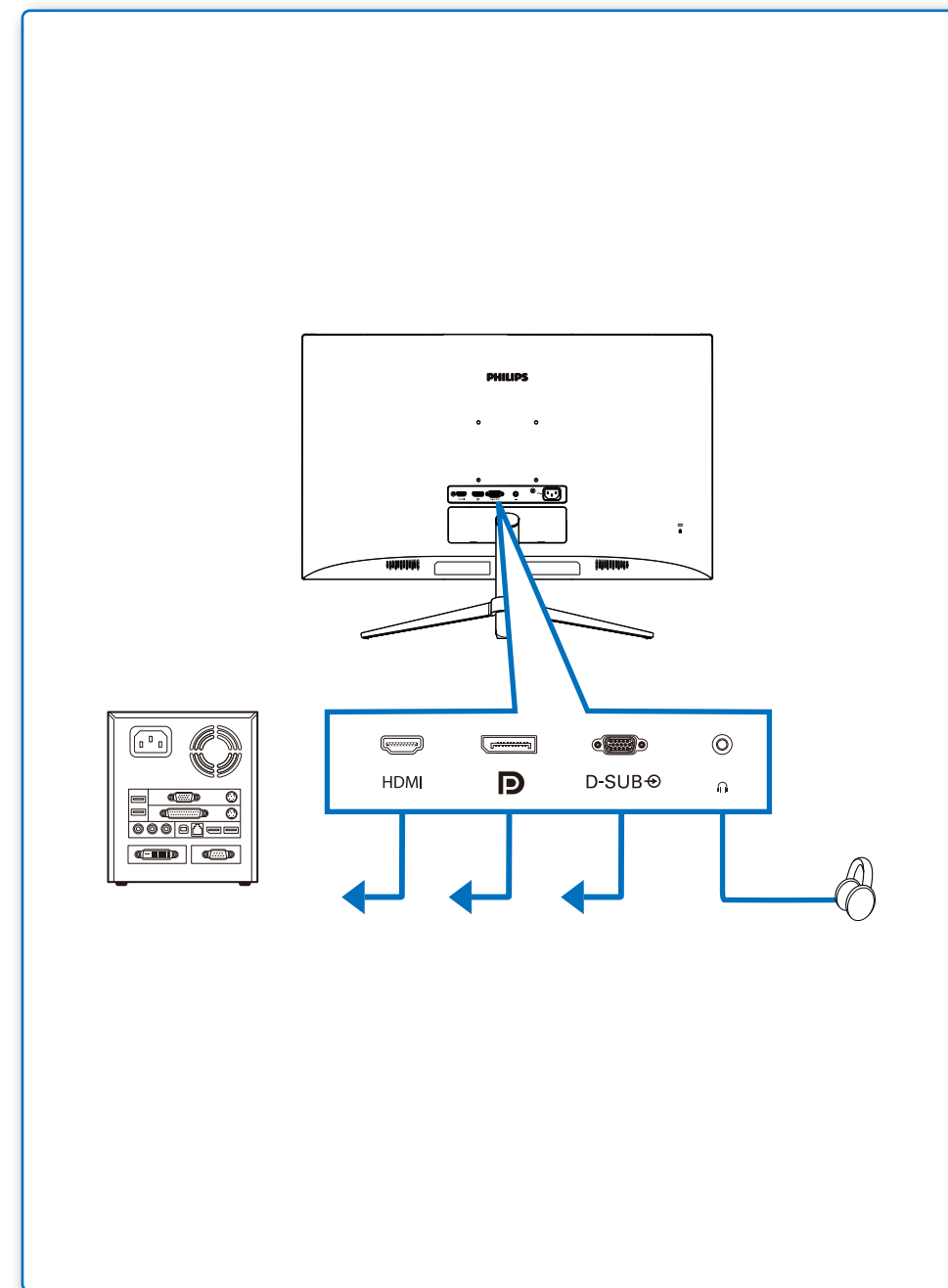


\* Different according to region.  
Display design may differ from those illustrated.

1



2



3

