



EIZO[®]

58.4 cm (23") Super Motion Monitor

DuraVision[®] DV2324-008



58.4 cm (23") Super Motion Monitor

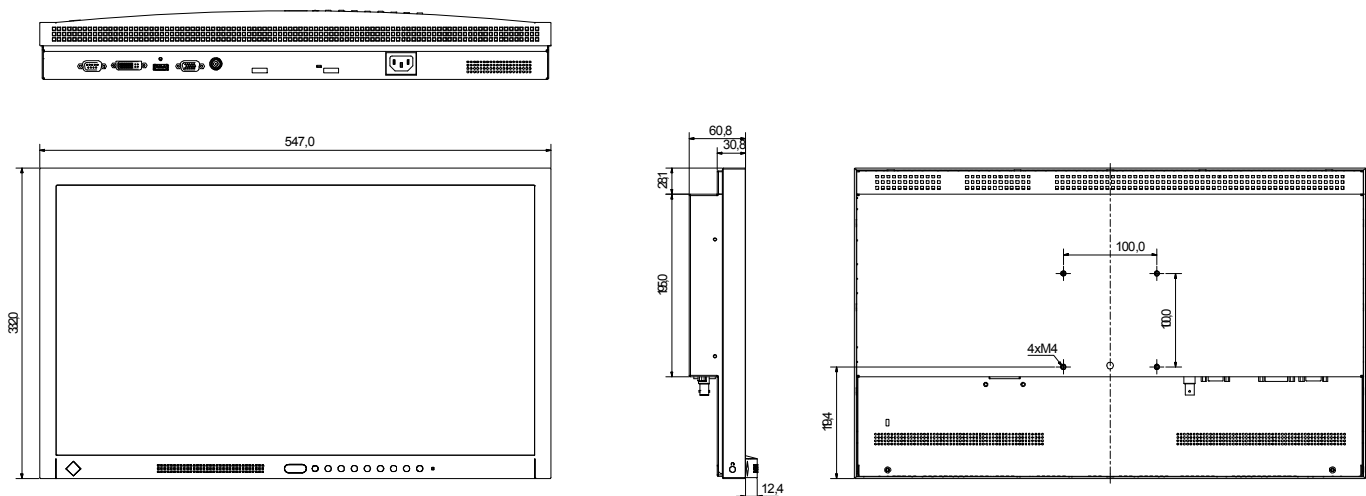
DuraVision® DV2324-008

This high quality 23" Full HD monitor is especially designed for security and surveillance applications where moving pictures have to be displayed in a clear and sharp manner (without blurring). With the refresh rate of 120 Hz the monitor is ideal for screening of e.g. parcels and baggage or freight and cargo. The VESA adapter allows the mounting on a swivel arm or stand.

- Stand alone monitor with 23.0" active color TFT-LCD, physical resolution of 1920 x 1080 pixels (full HD)
- Refresh rate up to 120 Hz
- Signal Input Interfaces: DVI-I (analog RGB + digital DVI), additional analog RGB, CVBS input (PAL, NTSC, SECAM), HDMI
- Automatic signal identification and adjustment
- High brightness (350 cd/m²) and contrast (1000:1)
- Wide viewing angle (horizontal 170°, vertical 160°, CR ≥ 10,)
- Up / down scaling (for non native resolution signals)
- Intuitive OSD control
- VESA DPMS power management

Input signal analog		Display module	
Level (Video)	0.7 V _{PP} RGB (at 75 Ω)	Type	23.0" / 58.4 cm active color TFT-LCD
Synchronization	Sep.- / Composite-Sync. / Sync on green	Screen Size (W x H)	509.2 x 286.4 mm ²
H-Frequency	15 – 100 kHz	Resolution / Pitch	1,920 x 1,080 Pixel / 0.2652 x 0.2652 mm ²
V-Frequency	50 – 100 Hz	Color	16.7 million
Pixel frequency	max. 140 MHz	Viewing angle	horizontal 170°, vertical 160°, CR ≥ 10
Color	max. 16.7 million.	Brightness (typ.)	350 cd/m ²
Resolution	max. 1,920 x 1,200 pixels	Contrast (typ.)	1000:1
Interface	DVI-I and 15 pin HD-D-Sub connector	Backlight	4x CCFL
Input signal digital		Power supply	
Type	DVI 1.0 (TMDS)	Input voltage	100 - 240 V _{AC} (50/60Hz)
Pixel Frequency	max. 165 MHz	Power consumption	
Interface	DVI-I connector	Typical (typ.)	approx. 50 W
Input signal Video		Standby Mode (typ.)	approx. 4 W
Level (Video)	1 V _{PP} CVBS (at 75 Ω)	Sleep Mode (typ.)	approx. 0.1 W
Code	PAL / NTSC / SECAM	Environment	
H-Frequency	15.625 / 15.734 kHz	Operating temperature	0 to +35°C
V-Frequency	50 / 60 Hz	Storage temperature	-20 to +60°C
Color	max. 16.7 million (8 Bit/Color)	Humidity	max. 80 % (no condensation)
Interface	BNC (CVBS)	Certification	
HDMI		CE, FCC, UL	
Type	HDMI 1.1/1.2	Accessories (optional)	
Pixel Frequency	max. 165 MHz	Power Cord	
Interface	HDMI	DVI Signal Cable	
		Adjustable Stand	

Dimension (mm), detail drawings on request



EIZO Technologies GmbH
 Bürgermeister-Seidl-Str. 8; 82515 Wolfratshausen, Germany
 Phone: +49 / 8171 / 3492-0; Fax: +49 / 8171 / 3492-16
 www.eizo-tech.com

EIZO Technologies reserves the right to implement changes in design and technology which serve the improvement of the product. Specifications are subject to minimal deviations due to production.

© 2013 EIZO Technologies GmbH. All right reserved

I3-DV2324-008-E6