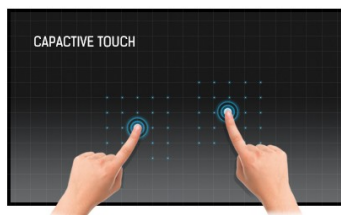


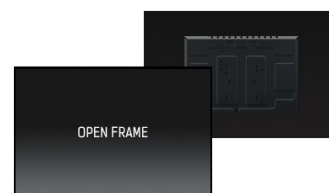


32" 30 point multi-touch monitor built into an eye catching bezel with Edge to Edge glass  
With 1920x1080 Full HD resolution and Projective Capacitive 30 point touch technology, the ProLite T3234MSC-B3X delivers seamless and accurate touch response. Featuring an AMVA3 PID grade LED LCD screen technology, it offers exceptional colour performance and wide viewing angles, making it a perfect interactive display for Interactive Digital Signage. In addition to the superb image quality, the screen comes with a rugged bezel making it suitable for demanding environments. The screen features a vast array of inputs including DVI as well as USB for the Touch sensor itself. The ProLite T3234MSC-B3X is the ideal solution for Interactive Digital Signage, Instore Retail, Kiosks, Gaming and Interactive Presentations.



### TOUCH TECHNOLOGY - CAPACTIVE

This technology uses a sensor-grid of micro-fine wires integrated into the glass that covers the screen. Touch is detected because electrical characteristics of the sensor grid change when human finger is placed on the glass. Thanks to the glass overlay this technology is highly durable, and the touch function remains unaffected even if the glass is scratched. It offers perfect picture performance and will work with human finger (also latex gloved) and stylus-pen.



### OPEN FRAME

Open frame monitors are an ideal solution for kiosk integrators and Instore Retail.

## 1. DISPLAY CHARACTERISTICS

ASPECT RATIO	16 : 9
PANEL	AMVA3 Edge LED
NATIVE RESOLUTION	Full HD 1080p, 1920 x 1080 ( 2.1 megapixel)
BRIGHTNESS	500 cd/m <sup>2</sup> typical
BRIGHTNESS	450 cd/m <sup>2</sup> with touch panel
CONTRAST	3 000 : 1 with touch panel
RESPONSE TIME	8 ms
VIEWING ZONE	horizontal/vertical: 178° / 178° ; right/left: 89° / 89° ; up/down: 89° / 89°
DISPLAY COLOUR	16.7 million
TOUCHTECHNOLOGY	projective capacitive, multi touch (30 compatible touch points - HID, only with supported OS), activated by finger
TOUCH POINTS	30
GLASS HARDNESS	7H minimum
LIGHT TRANSMITTANCE	90%
DISPLAY AREA H X W	392.8 x 698.4 mm; 15.5" x 27.5"
PIXEL PITCH H X V	0.364 x 0.364 mm
HORIZONTAL SYNC	31,47 - 67.5 KHz
VERTICAL SYNC	47 - 63 Hz
SYNCHRONIZATION	Separate Sync

## 2. INTERFACES & CONNECTORS

ANALOG INPUT CONNECTOR	VGA
DIGITAL INPUT CONNECTOR	DVI
OUTPUT CONNECTOR	RS232C
CONTROLS	RS232C, USB (touch)

## 3. FEATURES

PLUG & PLAY	VESA DDC2B™
CONTROLS	On-Screen-Display in 7 languages (DE, EN, ES, FR, IT, JP, Chinese - traditional and simplified) and 5 front controls (Menu, Scroll up/ Brightness, Scroll down/ Mute, Select/ Auto, Power)
USER CONTROLS	contrast, brightness, auto adjust, H.position, V.position, H.size, phase, OSD H.position, OSD V.position, OSD timeout, reset, input select, OSD language, colour temperature, volume, mute
SPEAKERS	2 x 8 W (Stereo)
REGULATIONS	CE, TÜV-Bauart, CU
VESA MOUNTING	400 x 200 mm
COLOUR	Black
ORIENTATION	landscape/portrait
WATER AND DUST PROTECTION	IPX1

## 4. ACCESSORIES

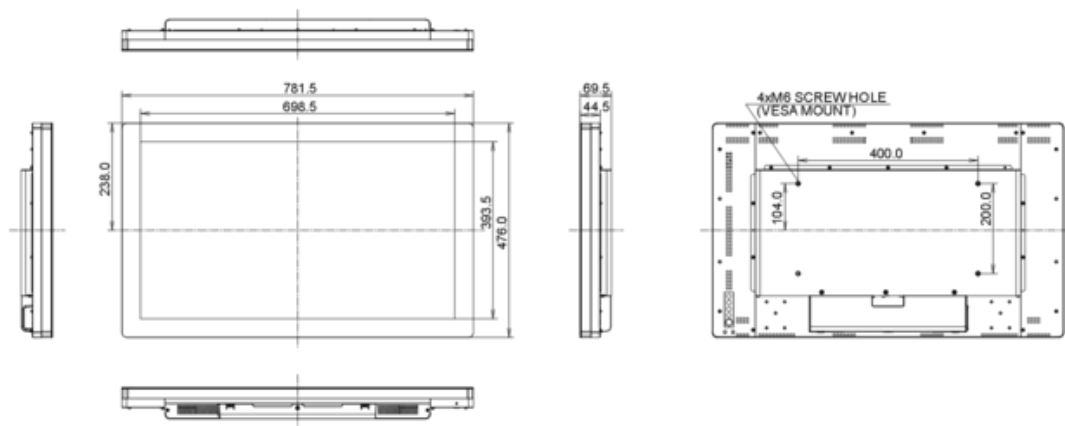
DRIVER	multi-touch: Windows® 7/8, single-touch: Vista (HID compliant)
INCLUDED ACCESSORIES	power cable, VGA signal cable, DVI signal cable, audio cable, USB cable, Touch Panel Driver Disk (CD-ROM), quick start guide, screw (M3x6mm), safety guide
OPTIONAL ACCESSORIES	remote control touchV01

## 5. POWER MANAGEMENT

POWER SUPPLY	AC 100 - 240 V, 50 / 60 Hz
POWER SUPPLY UNIT	internal
POWER USAGE	65 W typical; max. 2 W in Power management mode
POWER MANAGEMENT	VESA DPMS

## 6. DIMENSIONS & WEIGHT

DIMENSIONS W X H X D	781.5 x 476 x 69,5 mm
WEIGHT	16.2 kg



All trademarks and registered trademarks acknowledged. E & O E. Specification subject to change without notice. All LCD's comply with ISO-9241-307:2008 in connection with pixel defects.