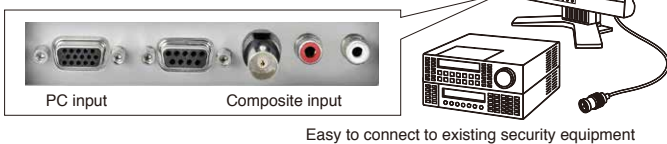




Monitors designed specifically for security that offer PC and composite (BNC) inputs, high image quality, and long-term reliability

PC and Video Inputs

Both monitors are equipped with an analog D-Sub mini 15 pin input for connection to a PC and a composite (BNC) input for connecting to video surveillance equipment such as closed-circuit televisions (CCTV) and security cameras.

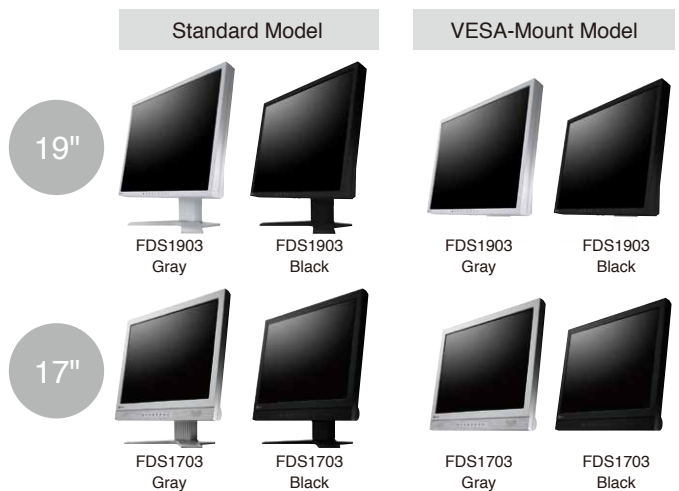


High Image Quality

To reduce ghosting and flicker, the video input has a Y/C separation circuit which separates the brightness signal (Y) from the color information signal (C), allowing the monitors to display high quality images with little noise. The monitors produce 16.77 million colors for clear and vivid display.

19-inch, 17-inch, and VESA-Mount Models

- 19-inch and 17-inch versions
- 2 color variations
- VESA-mount (no stand) model also available



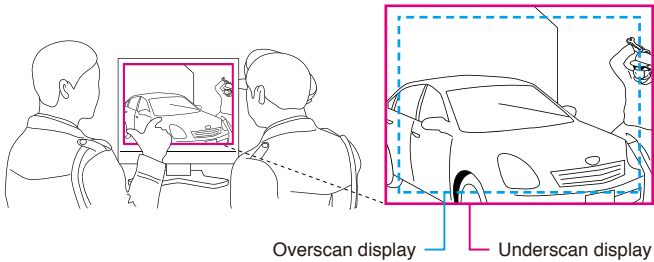
19" and 17" Industrial Monitors

DuraVision®

FDS1903/FDS1703

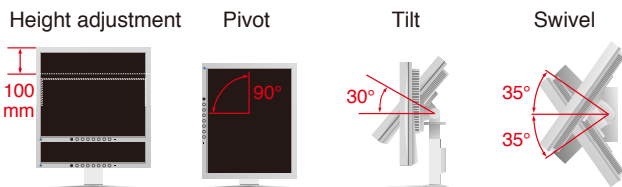
Underscan and Normal Display

Both underscan and normal display settings are available. Underscan shows 100% of an image and is ideal for video. Overscan displays about 95% of an image, which eliminates extraneous TV broadcasting data that sometimes appears at the edges of the screen.



Versatile Positioning

The stand has a 100 mm height adjustment range, 30° tilt, 70° swivel, and 90° pivot for portrait mode so the screen can be adjusted to the ideal viewing position.



NTSC/PAL/SECAM Support

Both monitors support NTSC, PAL, and SECAM signals and can connect to a variety of different security and surveillance equipment.

Built-in Speakers

Compact dual 0.3-watt stereo speakers with RCA inputs are built-in for audio capability with both PC and video sources.

High Brightness Display

With a maximum brightness level of 350 cd/m², the screens have high visibility even in bright ambient environments.

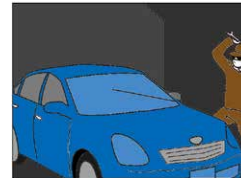
Easy-to-See Gamma Mode (FDS1903)

The FDS1903 includes a mode that makes it simple to change the gamma settings. You can improve visibility by changing the gamma depending on the type of image being displayed.

Mode	Gamma	Feature
Light	2.2	Improves general visibility in dark images
Dark	3.0	Improves visibility in images with overall low contrast
Dynamic	1.9 - 2.2	Greatly increases contrast levels and improves image detail

Clear View from Below (FDS1903)

For environments where the monitor is placed above eye level and the user must look up to see the screen, the FDS1903 includes an “Up View” function that minimizes the washing out of colors that may occur when viewing an LCD screen from below.



When viewed from below



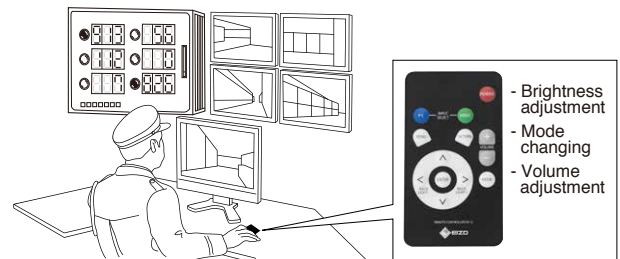
Up View Off



Up View On

Remote Control (FDS1903)

A remote control is included for turning the monitor's power on/off, navigating the OSD menu, adjusting the volume, toggling preset modes and switching between input signals. It is ideal for environments where the monitor is mounted on a wall.



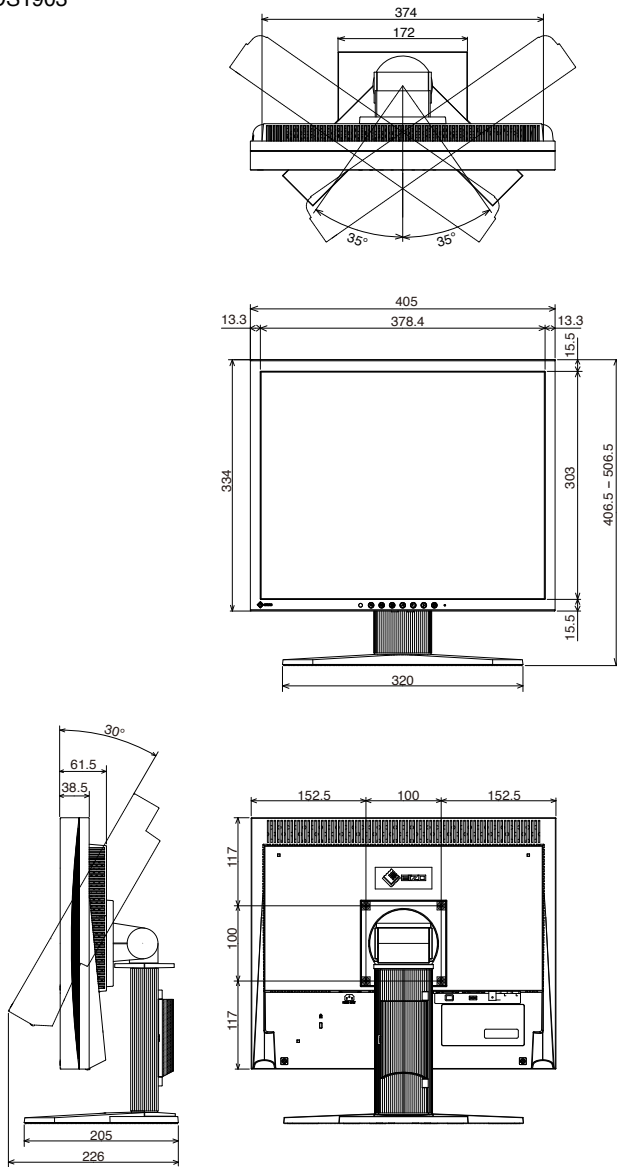
LED Backlight

The monitors come equipped with an energy-saving LED backlight. Compared to conventional CCFL backlights, LED backlights last longer and consume less power. They are also mercury-free to have minimal impact on the environment when they are eventually disposed of.

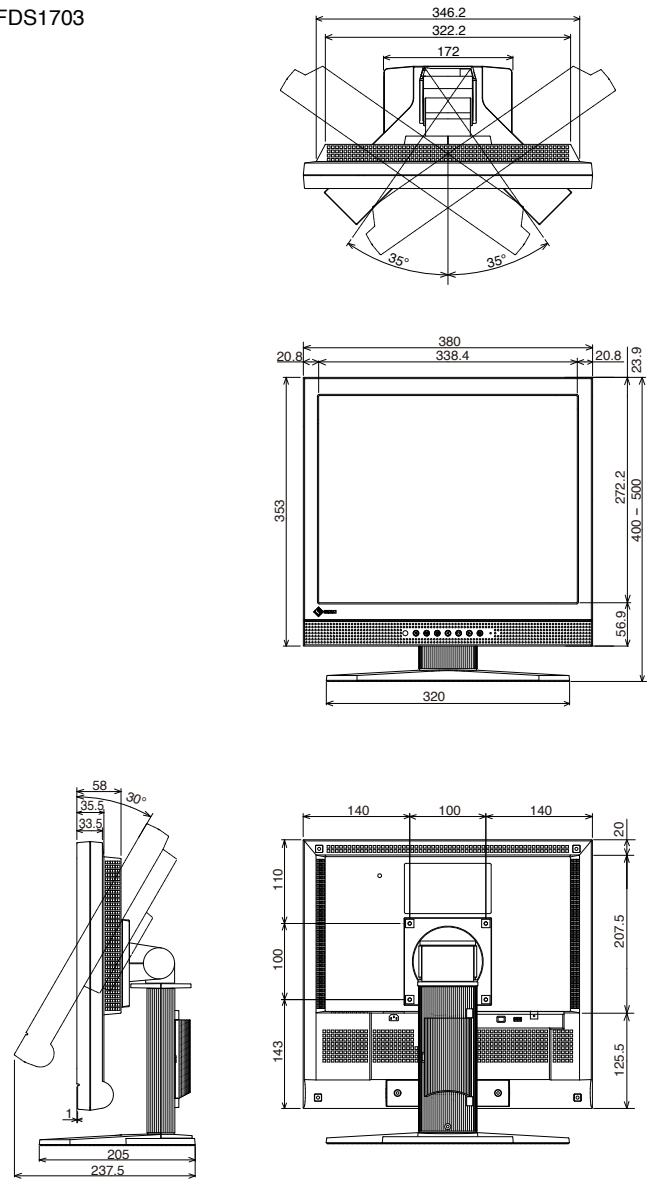
Dimensions (mm)

Standard Models

FDS1903

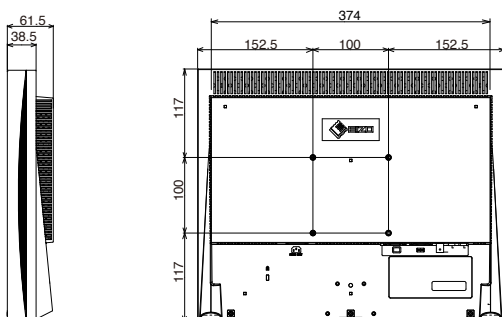


FDS1703

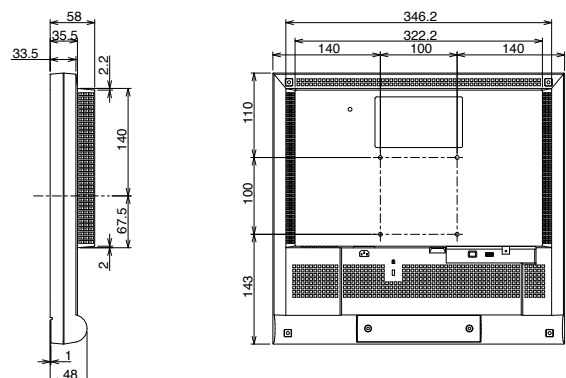


VESA-Mount Models

FDS1903



FDS1703

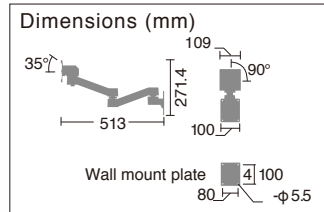


Accessory

LA-030-W

Flexible arm (3-Axes)

Mount your LCD monitor on a wall and change the screen position as necessary with tilt and swivel capability. Position the monitor to almost anywhere with the forward/backward and side-to-side movement. Available in gray or black.



24-Hour Use, 2-Year Warranty

The FDS1903 and FDS1703 offer long-term reliability; they are built for 24-hour use and are backed by a two-year manufacturer's warranty.



To ensure each EIZO monitor meets our high standards, we develop, manufacture, and test them ourselves at our own facilities. Our quality control process includes long-life testing where monitors are left on for tens of thousands of hours and an on-site anechoic chamber to test for compliance with international EMC (electromagnetic capability) regulations.



Global headquarters and R&D facility



Anechoic chamber

SPECIFICATIONS

	FDS1903	FDS1703
Model Variations	With Stand, Without Stand	With Stand, Without Stand
Cabinet Color	Gray, Black	Gray, Black
Type	TN	TN
Size	19" / 48 cm (481 mm diagonal)	17" / 43 cm (432 mm diagonal)
Native Resolution	1280 x 1024 (5:4 aspect ratio)	1280 x 1024 (5:4 aspect ratio)
Display Size (H x V)	376 x 301 mm	337.9 x 270.3 mm
Pixel Pitch	0.294 x 0.294 mm	0.264 x 0.264 mm
Grayscale Tones	256 tones (a palette of 1021 tones)	256 tones (a palette of 1021 tones)
Display Colors	16.77 million from a palette of 1.06 billion	16.77 million from a palette of 1.06 billion
Viewing Angles (H / V, typical)	170°, 170°	160°, 140°
Brightness (typical)	350 cd/m ²	350 cd/m ²
Contrast Ratio (typical)	1000:1	800:1
Response Time (typical)	5 ms (Black-white-black)	30 ms (Black-white-black)
Input Terminals	PC: D-Sub mini 15 pin x 1 AV: BNC (Composite) x 1	PC: D-Sub mini 15 pin x 1 AV: BNC (Composite) x 1
Analog Scanning Frequency (H / V)	24.8 - 74.8 kHz, 56.2 - 75.1 Hz	24.8 - 74.8 kHz, 56.2 - 75.1 Hz
Video Input Format	NTSC, PAL, SECAM	NTSC, PAL, SECAM
Speakers	0.3 W + 0.3 W	0.5 W + 0.5 W
Sound Input Terminal	RCA x 1	RCA x 1
Sound Adjustment	Volume	Volume
Power Requirements	AC 100 - 120 V / 200 - 240 V, 50 / 60 Hz	AC 100 - 120 V / 200 - 240 V, 50 / 60 Hz
Maximum Power Consumption	36 W	36 W
Power Save Mode	Less than 8 W	Less than 8 W
Standby Mode	Less than 1.3 W	Less than 1.0 W
Others	PC: Color Adjustment (Brightness, Contrast, Sharpness, Color Temperature), Backlight, DPMS, OSD Menu Settings, Gamma Table, Source Scan, Analog RGB Calibration, Reset Calibration, Video Aspect, Language, Factory Reset, Test Pattern AV: Color Adjustment (Brightness, Contrast, Sharpness, Color, Tint, Color Temperature), Backlight, DPMS, OSD Menu Settings, Gamma Table, Source Scan, Video Aspect, Language, Factory Reset, Test Pattern	PC: Color Adjustment (Brightness, Contrast, Phase, Frequency, Sharpness, Color Temperature), Backlight, DPMS, OSD Menu Settings, Gamma Table, Source Scan, Analog RGB Calibration, Reset Calibration, Video Aspect, Language, Factory Reset, Test Pattern AV: Color Adjustment (Brightness, Contrast, Sharpness, Saturation, Hue, Color Temperature), Backlight, DPMS, OSD Menu Settings, Gamma Table, Source Scan, Video Aspect, Language, Factory Reset, Test Pattern
Dimensions (Landscape, W x H x D)	405 x 406.5 - 506.5 x 205 mm	380 x 400 - 500 x 205 mm
Dimensions (Without Stand, W x H x D)	405 x 334 x 61.5 mm	380 x 353 x 58 mm
Net Weight	6.1 kg	5.9 kg
Net Weight (Without Stand)	4.3 kg	4.1 kg
Height Adjustment Range	100 mm	100 mm
Tilt	30° Up, 0° Down	30° Up, 0° Down
Swivel	35° Right, 35° Left	35° Right, 35° Left
Pivot	90°	90°
Hole Spacing (VESA Standard)	100 x 100 mm	100 x 100 mm
Temperature	0 - 35 °C	0 - 35 °C
Humidity (R.H., non condensing)	20 - 80 %	20 - 80 %
Certifications & Standards	C-Tick, CE, CB, cTUVus, FCC-A, Canadian ICES-003-A, TUV/S, VCCI-A, RoHS, China RoHS, WEEE	C-Tick, CE, CB, cTUVus, FCC-A, Canadian ICES-003-A, TUV/S, VCCI-A, RoHS, China RoHS, WEEE, CCC, GOST-R
Supplied Accessories	AC power cord, Remote Control with battery, User's manual with warranty card, 4 screws for mount option	AC power cord, User's manual with warranty card, 4 screws for mount option
Warranty	Two Years	Two Years

All product names are trademarks or registered trademarks of their respective companies. DuraVision and EIZO are registered trademarks of EIZO Corporation. Specifications are subject to change without notice.

Copyright © 2010 EIZO Corporation. All rights reserved.



EIZO Europe:

Austria ♦ www.eizo.at
Belgium & Luxembourg ♦ www.eizo.be
Czech Republic ♦ www.eizo.cz

Germany ♦ www.eizo.de
Hungary ♦ www.eizo.hu
Italy ♦ www.eizo.it

Slovakia ♦ www.eizomonitor.sk
The Netherlands ♦ www.eizo.nl
United Kingdom ♦ www.eizo.co.uk