



Owner's Manual LED MONITOR (LED MONITOR*)

***LG LED Monitors are LCD Monitors with LED Backlighting.**

Please read the safety information carefully before using the product.

LED Monitor (LED Monitor) Model List

24MB34PY

24MB34D

CONTENTS

3 ASSEMBLING AND PREPARING

- 3 Unpacking
- 4 Parts and buttons
- 5 Setting up the Monitor set
- 5 - Attaching the Stand Base
- 5 - Detaching the stand base
- 6 Setting up the Monitor set
- 6 - Attaching the Stand Base
- 6 - Detaching the Stand Base
- 7 - Detaching the stand body
- 7 - Using the cable holder
- 7 - Mounting on a table
- 8 - Adjusting the angle
- 10 - Adjusting the stand height
- 10 - Using the Kensington locking device
- 11 - Swivel stand
- 11 - Using the Pivot function
- 12 - Mounting on a wall

13 USING THE MONITOR SET

- 13 Connecting to a PC
- 13 - D-SUB connection
- 13 - DVI-D connection
- 14 - DisplayPort connection
- 15 - Peripheral device connection

16 CUSTOMIZING SETTINGS

- 17 Customizing Settings

20 TROUBLESHOOTING

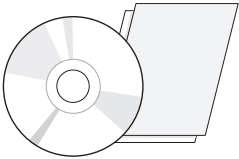
22 SPECIFICATIONS

- 22 24MB34PY
- 23 24MB34D
- 24 Preset Modes (Resolution)
- 24 D-SUB/DVI Timing
- 24 DP Timing
- 25 D-SUB/DVI Timing
- 25 Indicator

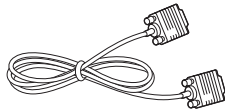
ASSEMBLING AND PREPARING

Unpacking

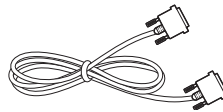
Check your product box for the following items. If there are any missing accessories, contact the local dealer where you purchased your product. The illustrations in this manual may differ from the actual product and accessories.



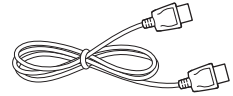
**CD(Owner's Manual) /
Card**



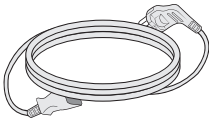
D-SUB Cable
(This cable is not
included in all
countries.)



DVI-D Cable
(This cable is not
included in all
countries.)



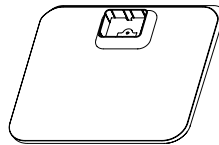
DisplayPort Cable
24MB34PY
(This cable is not
included in all
countries.)



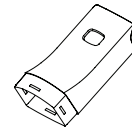
Power Cord



Stand Base
24MB34D



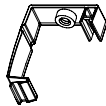
Stand Base
24MB34PY



Stand Body
24MB34D



One Screw
24MB34PY



Cable Holder
24MB34PY



Audio Cable
24MB34PY
(Depending on the country)



USB Cable
24MB34PY
(Depending on the country)



CAUTION

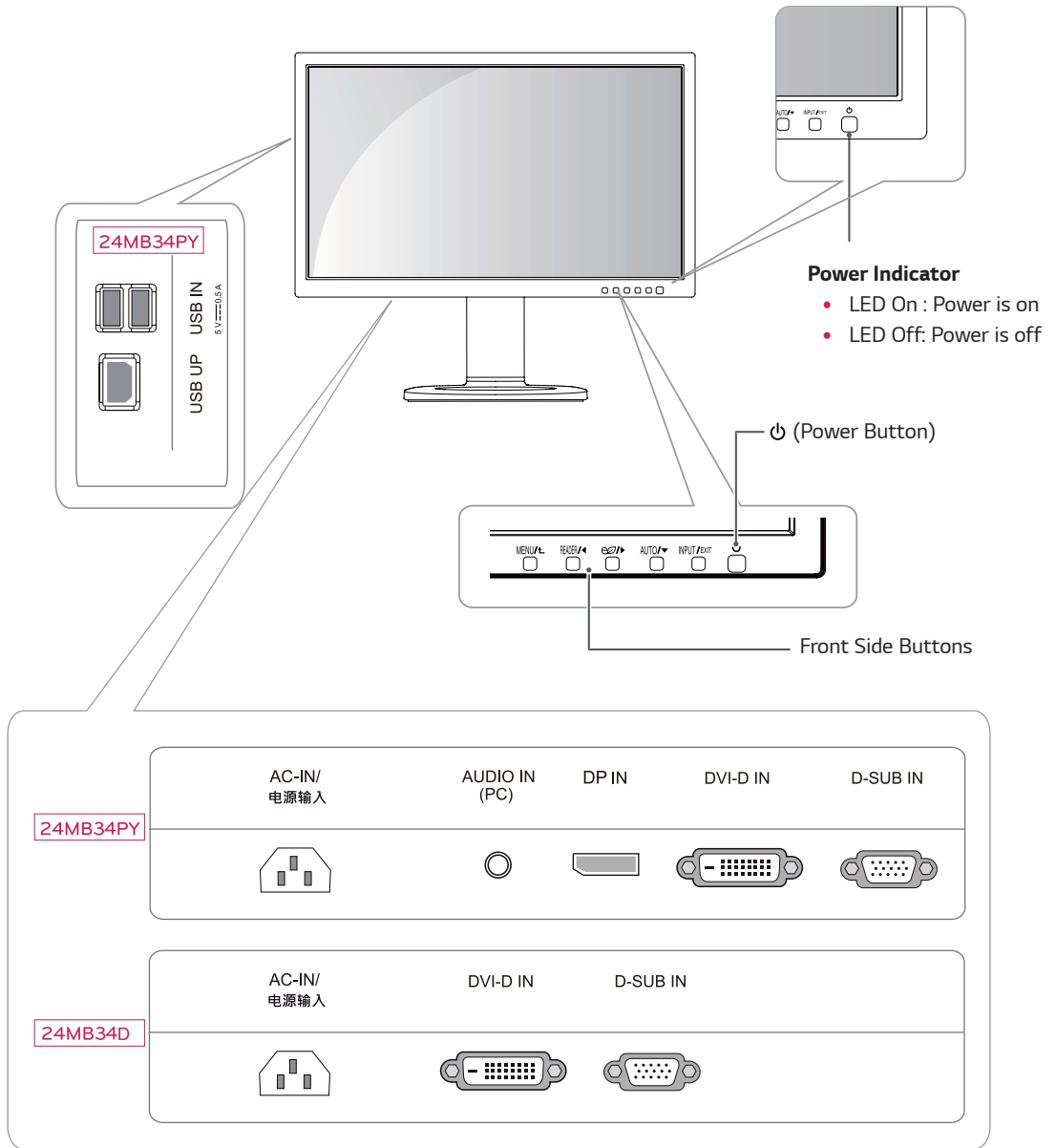
- Do not use any unapproved accessories to ensure the safety and product life span.
- Any damages or injuries by using unapproved accessories are not covered by the warranty.



NOTE

- The accessories supplied with your product may vary depending on the model.
- Product specifications or contents in this manual may be changed without prior notice due to upgrade of product functions.

Parts and buttons



Setting up the Monitor set

Attaching the Stand Base

24MB34PY

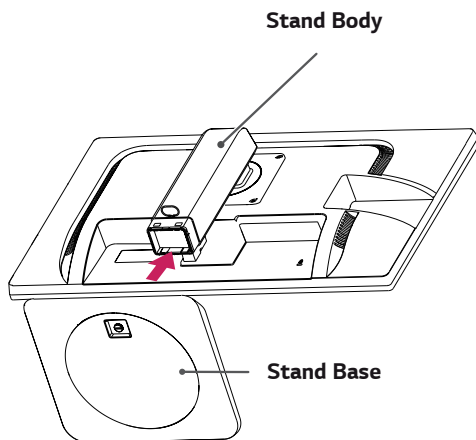
- 1 Place the Monitor set with the screen side down on a flat and cushioned surface.



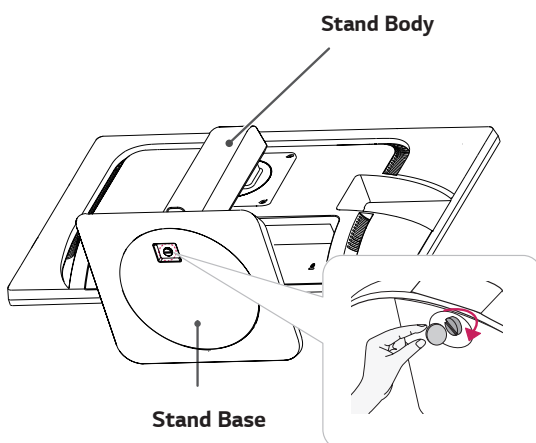
CAUTION

- To protect the screen from scratches, cover the surface with a soft cloth.

- 2 Check the **position (at the front and rear)** of the stand body, then mount the **stand base** on the **stand body** as shown in the figure.

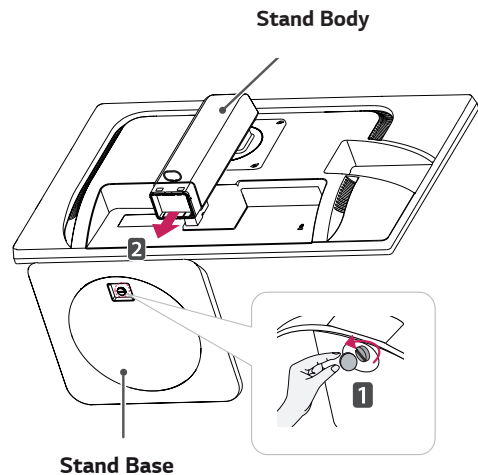


- 3 Using a coin, turn the screw clockwise to secure the **stand base**.



Detaching the stand base

- 1 Place the monitor's screen face down. To protect the screen from scratches, cover the surface with a soft cloth.
- 2 Using a coin, turn the screw in the stand base counterclockwise. Detach the **stand base** from the **stand body**.



CAUTION

- Illustrations in this document represent typical procedures, so they may look different from the actual product.
- Do not carry the monitor upside down by just holding the stand base. This may cause the monitor to fall off the stand and could result in personal injury.
- When lifting or moving the monitor, do not touch the monitor screen. The force applied to the monitor screen may cause damage to it.
- Do not apply foreign substances (oils, lubricants, etc.) to the screw parts when assembling the product. (Doing so may damage the product.)
- Applying excessive force when tightening screws may cause damage to the monitor. Damage caused in this way will not be covered by the product warranty.

Setting up the Monitor set

Attaching the Stand Base

24MB34D

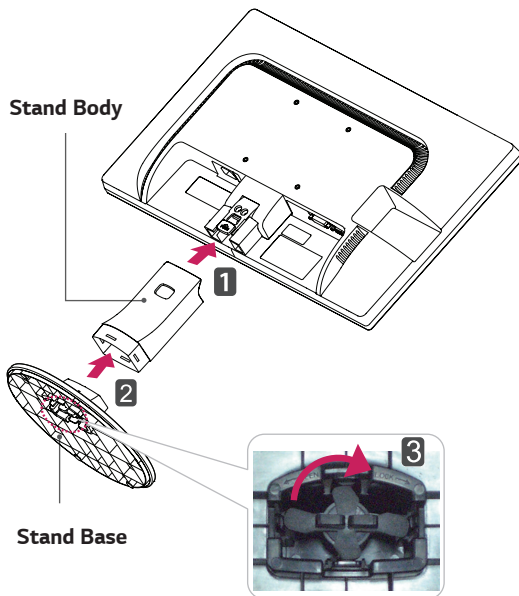
- 1 Place the Monitor set with the screen side down on a flat and cushioned surface.



CAUTION

Lay a foam mat or soft protective cloth on the surface to protect the screen from damage.

- 1 Attach the **Stand Body** to the monitor set.
- 2 Attach the **Stand Base**.
- 3 Tie down the base lock to perpendicularity direction.

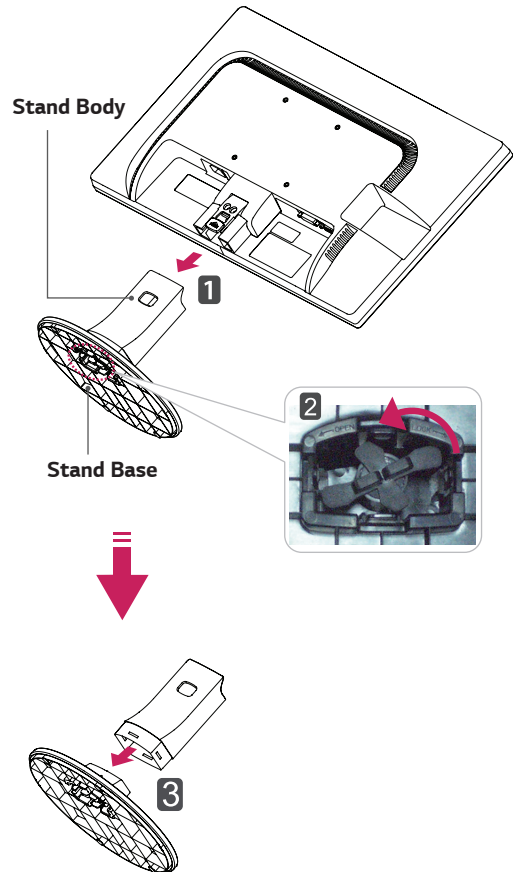


CAUTION

- This illustration depicts the general model of connection. Your monitor may differ from the items shown in the picture.
- Do not carry the product upside down holding only the stand base. The product may fall and get damaged or injure your foot.

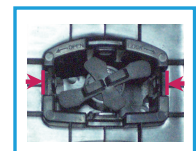
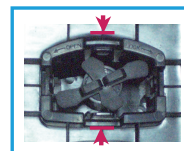
Detaching the Stand Base

- 1 Place the Monitor set with the screen side down on a flat and cushioned surface.
- 2
 - 1 Pushing the PUSH button, Take the **Stand Body** from the monitor set.
 - 2 Change your lock on the product as it follows and turn it in the arrow direction.
 - 3 Pull out the **Stand Base**.



CAUTION

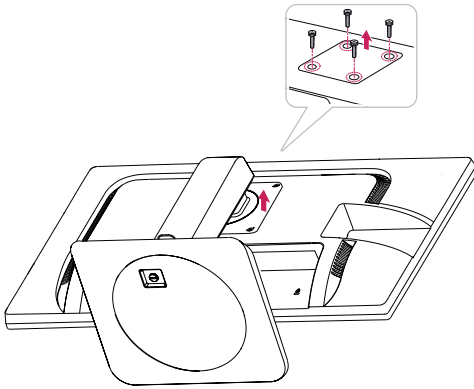
- If you can't release the stand base even the locking knob is at a release position, Please push the indicated knob down and retry it.



Detaching the stand body

- 1 Place the monitor's screen face down. To protect the screen from scratches, cover the surface with a soft cloth.
- 2 Using a screwdriver, remove the four screws and detach the stand from the monitor.

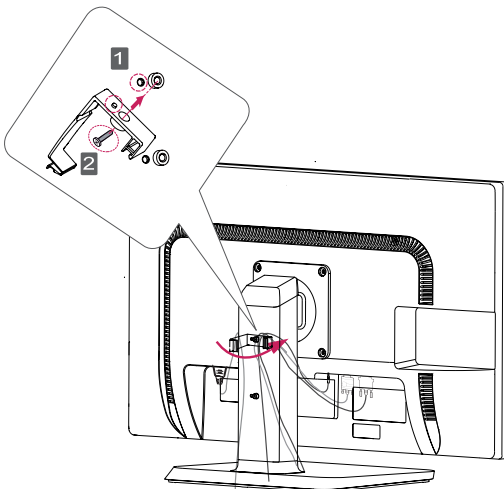
24MB34PY



Using the cable holder

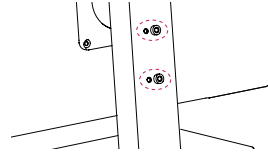
- 1 Fix the Knob (Cable holder) to the Hole(Hingebody).
- 2 Use one screw to fix the Cable Holder and monitor set.
- 3 Close the Cable holder.

24MB34PY



NOTE

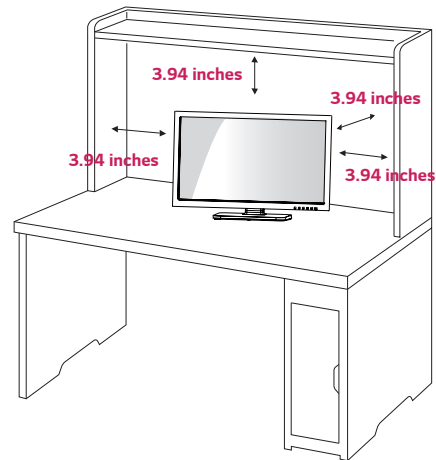
- The holes are used for wall mount bracket.
- Varies depending upon your country or model.



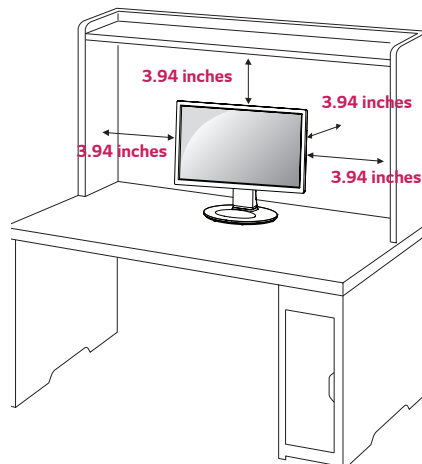
Mounting on a table

- 1 Lift the monitor and place it on the table in an upright position.
Install at least **3.94 inches** away from the wall to ensure sufficient ventilation.

24MB34PY

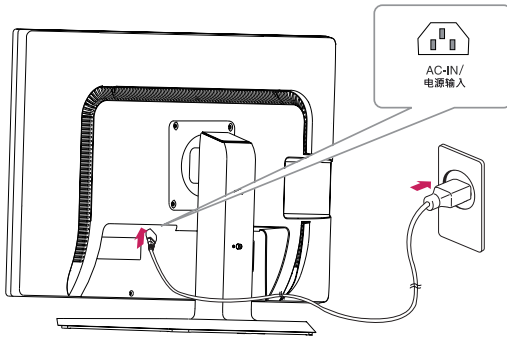


24MB34D

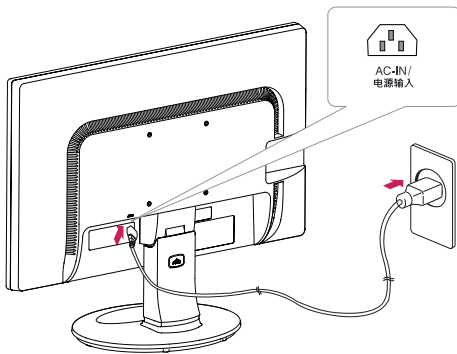



- 2 Connect the Power cord to the monitor, then plug the power cord into the wall outlet.

24MB34PY



24MB34D



- 3 Press the  (Power) button on the front of the monitor to turn on the monitor.



CAUTION

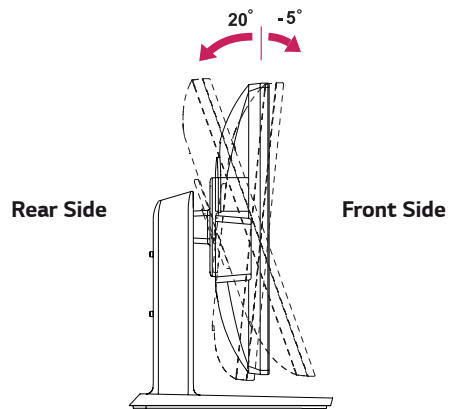
- Unplug the power cord prior to moving or installing the monitor. There is risk of electric shock.

Adjusting the angle

- 1 Place the monitor mounted on the stand base in an upright position.

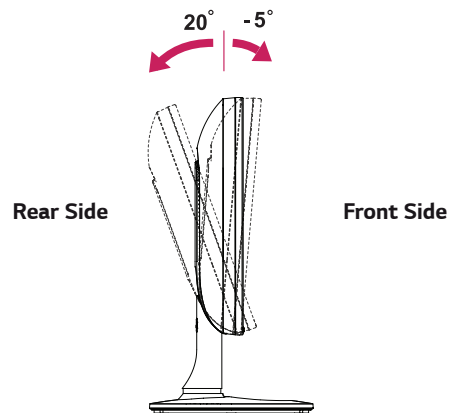
24MB34PY

- 2 Adjust the angle of the screen. The angle of the screen can be adjusted up to 5° forwards and 20° backwards for a comfortable viewing experience.



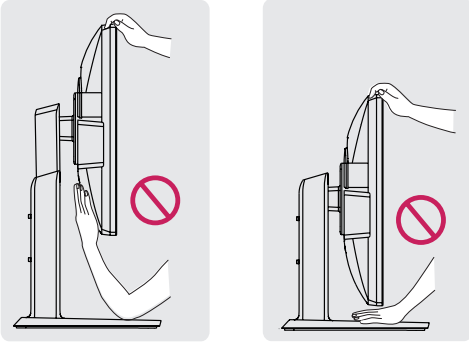
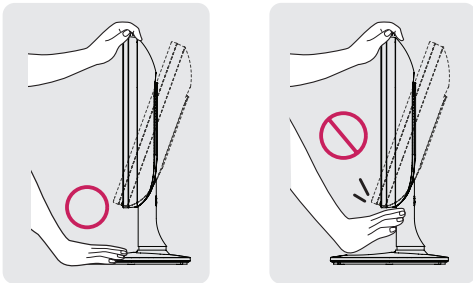
24MB34D

- 2 Adjust the angle of the screen. The angle of the screen can be adjusted up to 5° forwards and 20° backwards for a comfortable viewing experience.

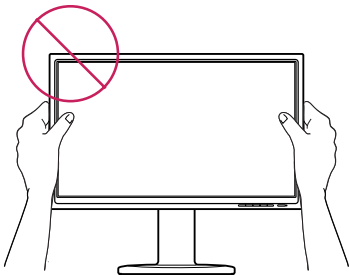


! WARNING

- To avoid injury to the fingers when adjusting the screen, do not hold the lower part of the monitor's frame as illustrated below.

24MB34PY**24MB34D**

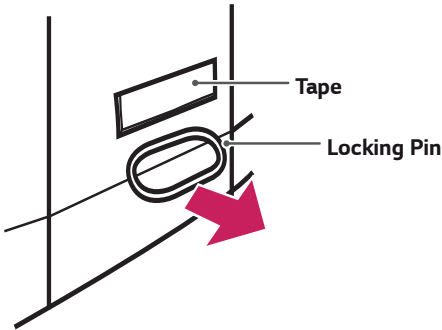
- Be careful not to touch or press the screen area when adjusting the angle of the monitor.



Adjusting the stand height

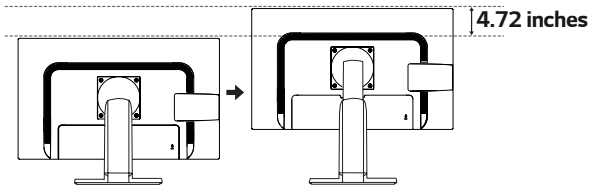
- 1 Place the monitor mounted on the stand base in an upright position.
- 2 Remove the **tape** attached at the bottom rear of the **stand body**, then pull out the **locking pin**.

Stand Body



24MB34PY

- 3 The height can be adjusted up to **4.72 inches**.



CAUTION

- Once the pin is removed, it is not necessary to re-insert it to adjust the height.



WARNING



- Do not put your finger between the screen and the base (chassis) when adjusting the screen's height.

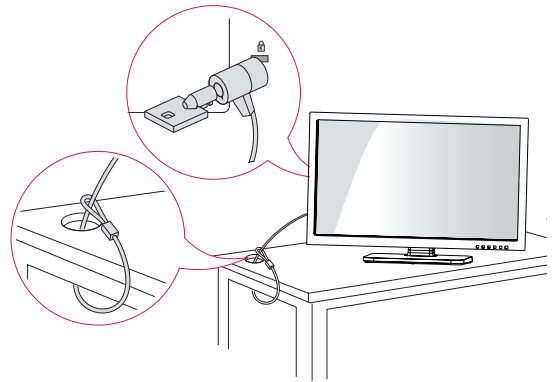
Using the Kensington locking device

The connector for the Kensington lock is located on the rear of the monitor.

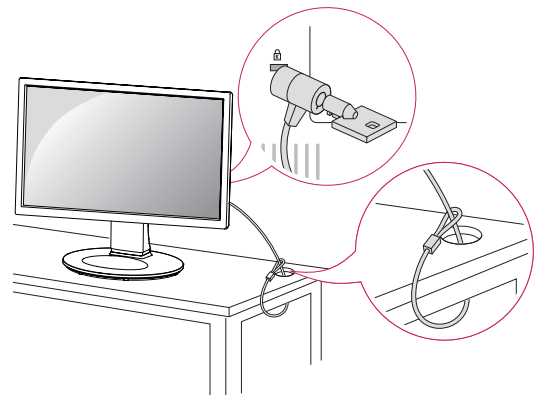
For more information on installation and usage, refer to the Kensington lock user manual or visit the website at <http://www.kensington.com>.

Connect the monitor to the table with the Kensington lock cable.

24MB34PY



24MB34D



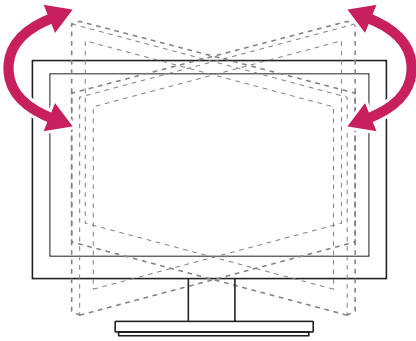
NOTE

- Using the Kensington lock is optional. The accessories can be purchased at your local electronics store.

24MB34PY

Swivel stand

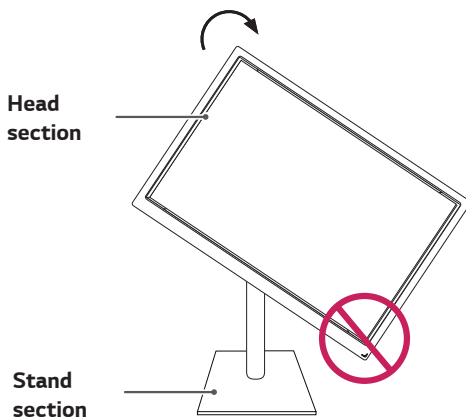
- Image shown may differ from your Monitor set.
- Swivel 355 degrees and adjust the angle of the Monitor set to suit your view.



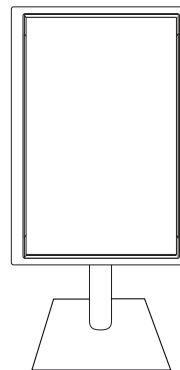
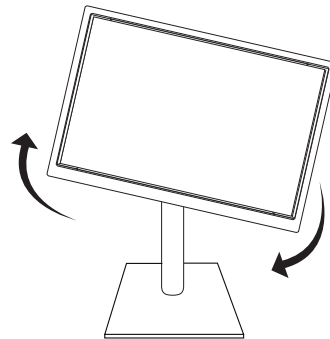
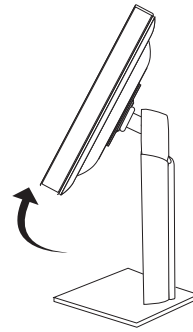
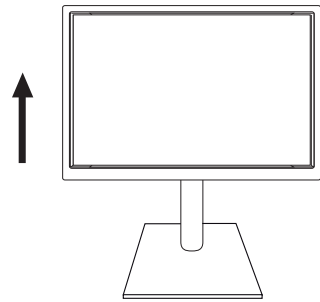
Using the Pivot function

The pivot function allows you to rotate the screen 90 degrees clockwise.

- Lift the monitor to its highest height to utilize the Pivot function.
- Landscape & Portrait : You can rotate the panel 90° clockwise. Please be cautious and avoid contact between the monitor head and the Stand Base when rotating the screen to access the Pivot function. If the monitor head touches the Stand Base, then the Stand Base could crack.

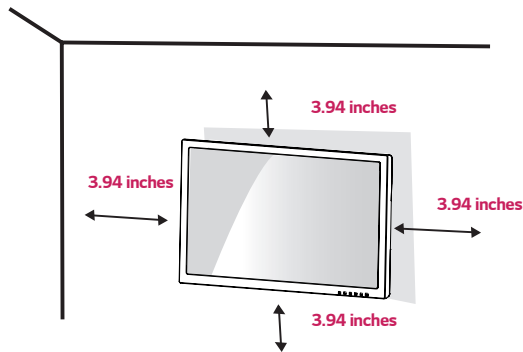


- Be careful with the cables when rotating the screen.



Mounting on a wall

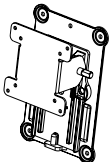
For proper ventilation, allow a clearance of 3.94 inches on each side and from the wall. Detailed instructions are available from your dealer, see the optional Tilt Wall Mounting Bracket Installation and Setup Guide.



If you intend to mount the Monitor set to a wall, attach Wall mounting interface (optional parts) to the back of the set.

When you install the Monitor set using a wall mounting interface (optional parts), attach it carefully so it will not drop.

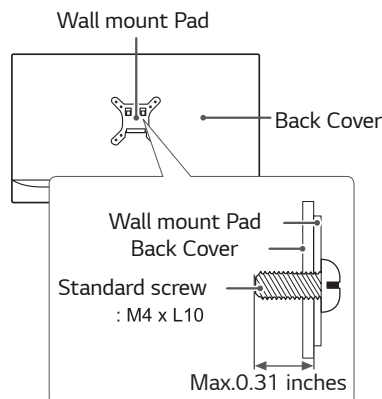
- 1 Please, Use the screw and wall mount interface in accordance with VESA Standards.
- 2 If you use screw longer than standard, the monitor might be damaged internally.
- 3 If you use improper screw, the product might be damaged and drop from mounted position. In this case, LG Electronics is not responsible for it.
- 4 VESA compatible only with respect to screw mounting interface dimensions and mounting screw specifications.
- 5 Please use VESA standard as below.
 - 784.8 mm (30.9 inch) and under
 - * Wall Mount Pad Thickness : 2.6 mm
 - * Screw : Φ 4.0 mm x Pitch 0.7 mm x Length 10 mm
 - 787.4 mm (31.0 inch) and above
 - * Please use VESA standard wall mount pad and screws.

Model	24MB34PY 24MB34D
VESA (A x B)	100 x 100
Standard screw	M4
Number of screws	4
Wall Mount Plate (Optional)	RW120 



CAUTION

- Disconnect the power cord first, and then move or install the Monitor set. Otherwise electric shock may occur.
- If you install the Monitor set on a ceiling or slanted wall, it may fall and result in severe injury.
- Use only an authorized LG wall mount and contact the local dealer or qualified personnel.
- Do not over tighten the screws as this may cause damage to the Monitor set and void your warranty.
- Use only screws and wall mounts that meet the VESA standard. Any damages or injuries by misuse or using an improper accessory are not covered by the warranty.
- Screw length from outer surface of back cover should be under 0.31 inches .



NOTE

- Use the screws that are listed on the VESA standard screw specifications.
- The wall mount kit will include an installation manual and necessary parts.
- The wall mount bracket is optional. You can obtain additional accessories from your local dealer.
- The length of screws may differ depending on the wall mount. Be sure to use the proper length.
- For more information, refer to the instructions supplied with the wall mount.

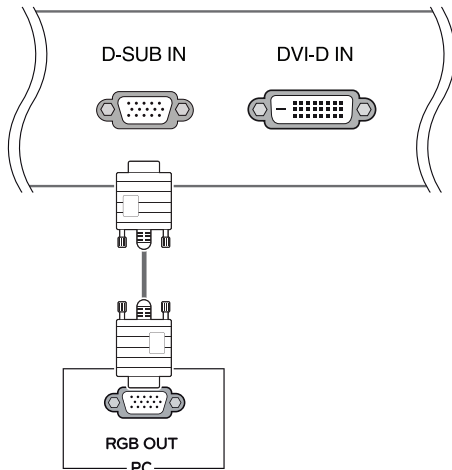
USING THE MONITOR SET

Connecting to a PC

- Your Monitor set supports Plug & Play*.
- *Plug & Play: A PC recognizes a connected device that users connect to a PC and turn on, without device configuration or user intervention.

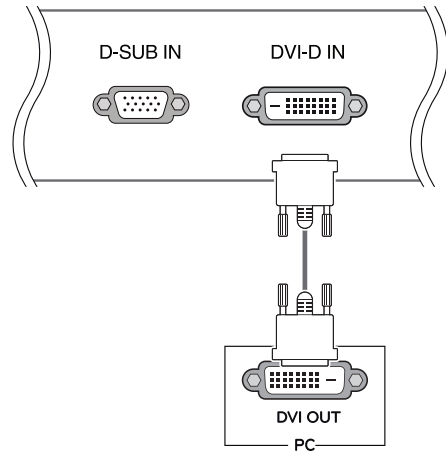
D-SUB connection

Transmits analog video from your PC to the Monitor set. Connect the PC and the Monitor set with the supplied D-sub 15 pin signal cable as shown in the following illustrations.



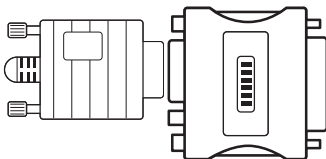
DVI-D connection

Transmits a digital video signal from your PC to the Monitor set. Connect the PC and the Monitor set with a DVI cable as shown in the following illustrations.



NOTE

- When using a D-Sub signal input cable connector for Macintosh

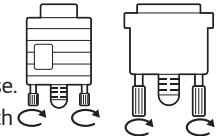


Mac adapter

For Apple Macintosh use, a separate plug adapter is needed to change the 15 pin high density (3 row) D-SUB VGA connector on the supplied cable to a 15 pin 2 row connector.

CAUTION

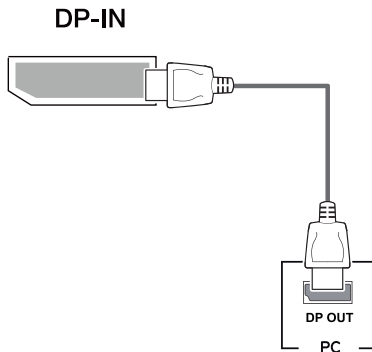
- Connect the signal input cable and tighten it by turning the screws clockwise.
- Do not press the screen with your finger for a long time as this may result in temporary distortion on the screen.
- Avoid displaying a fixed image on the screen for a long period of time to prevent image burn. Use a screensaver if possible.



24MB34PY

DisplayPort connection

Transmits the digital video and audio signals from your PC to the monitor. Connect your PC to the monitor using the DisplayPort cable as illustrated below. Press the menu button and then select the input option from the input menu.

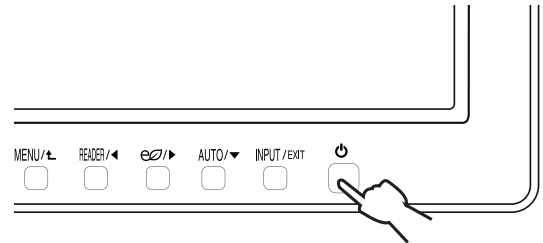


! NOTE

- There may be no video or audio output depending on the DP version of the PC.
- If you use generic cables not certified by LG, the screen may not display or there may be image noises.

Self Image Setting Function

Press the power button on the bottom panel to turn the power on. When monitor power is turned on, the "Self Image Setting" Function is executed automatically. (Only supported in Analog Mode)



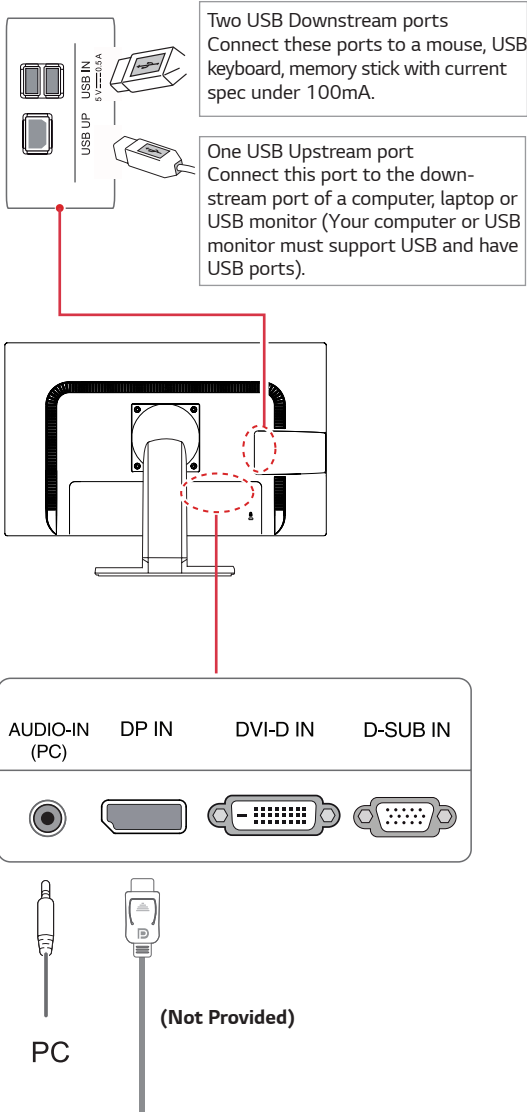
! NOTE

- **"Self Image Setting" Function.**
This function provides the user with optimal display settings. When the user connects the monitor for the first time, this function automatically adjusts the display to optimal settings for individual input signals. (Only supported in Analog Mode)
- **'AUTO' Function.**
When you encounter problems such as blurry screen, blurred letters, screen flicker or tilted screen while using the device or after changing screen resolution, press the AUTO function button to improve resolution. (Only supported in Analog Mode)

Peripheral device connection

Connect peripheral devices to the monitor.

24MB34PY



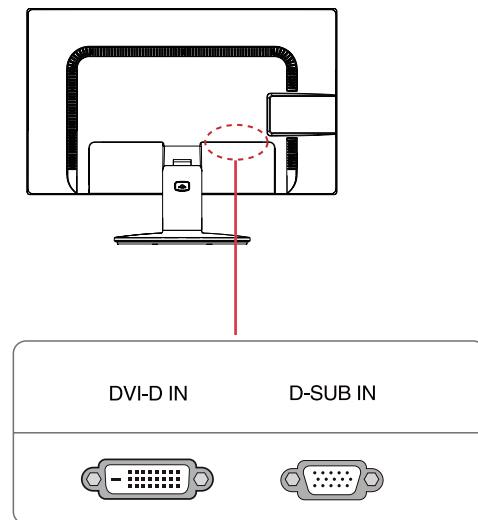
! NOTE

- Peripheral devices are sold separately.
- The USB ports on the left and bottom of the monitor can be used to connect the keyboard, mouse, and other USB devices.

! NOTE

- Headphones or speakers may not work normally, depending on the server PC settings.
- Virtual solutions may affect the functions or speed of the specific USB storage device.

24MB34D

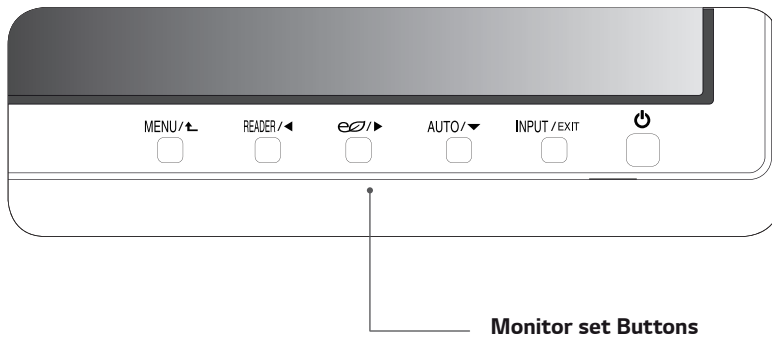


! NOTE

- The monitor's USB terminal supports USB 2.0 and high speed cables.
- DP = DisplayPort

CUSTOMIZING SETTINGS

- 1 Press the desired button on the bottom of the Monitor set.
- 2 Change the value of the menu item by pressing the buttons on the bottom of the Monitor set.
To return to the upper menu or set other menu items, use the up arrow (⬆) button.
- 3 Select **EXIT** to leave the OSD menu.



Button	Description
MENU / ⬆	<p>Accesses the main menus. (See p.17)</p> <p>OSD Locked/OSD Unlocked</p> <p>This function allow you to lock the current control settings, so that they cannot be inadvertently changed.</p> <p>Press and hold the MENU button for several seconds. Then OSD of "OSD Lock" will appear. After that, user can select lock or unlock by pressing left/right button.</p> <p>If user selects the "Lock" icon by pressing the "OK" button, the message "OSD Locked" will appear. Otherwise, "OSD Unlocked" will appear. After selecting the "Lock", if you want to change to Unlock, you can push the "MENU" button for several seconds. The message "OSD Unlocked" will appear.</p>
READER / ◀	Use this button to enter Reader Mode menu. Its function works to display screen as paper-like picture for Eye comfort.If you want to more information. (See p.19)
eo / ▶	Use this button to enter SMART ENERGY SAVING menu. (See p.19)
AUTO / ▼	<p>When adjusting your display settings, always press the AUTO button on the MONITOR SETUP OSD. (Only supported in Analog Mode)</p> <p>The best display mode</p> <p>24MB34PY: 1920x1080 24MB34D: 1920x1080</p>
INPUT / EXIT	<p>You can choose the input signal.</p> <ul style="list-style-type: none"> • When two input signals are connected, you can select the input signal you want. • When only one signal is connected, it is automatically detected. The default setting is D-SUB. <p>EXIT</p> <p>Exit the OSD (On Screen Display).</p>
⏻ (Power Button)	<p>Turns the power on or off.</p> <p>Power Indicator</p> <p>The power indicator stays white if the display is running properly (On Mode). If the display is in Sleep Mode, the power indicator blinks white.</p>

Customizing Settings

Menu	Analog	Digital	DP	Description
Volume 24MB34PY	•	•	•	To adjust the volume
Brightness	•	•	•	To adjust the brightness of the screen
Contrast 24MB34D	•	•		To adjust the contrast of the screen
Wide/Original	•	•	•	Wide
				Switch to full screen mode according to input image signal.
Wide/Original	•	•	•	Original
				Change the input image signal ratio to original. * This function works only if input resolution is lower than Monitor set ratio (16:9).
Reset	•	•	•	Restore all factory default settings. Press the ◀, ▶ buttons to reset immediately.

Menu > Next Menu	Analog	Digital	DP	Description
Picture	•	•	•	Contrast 24MB34PY
				To adjust the contrast of the screen
Color	•	•	•	Sharpness
				To adjust the clearness of the screen
Color	•	•	•	Gamma
				To customize the color of the screen
Color	•	•	•	Color Temp
				To customize the color of the screen
Display	•			Horizontal
				Vertical
	•			Clock
				Phase
Display	•			To adjust the position of the screen
				To improve the clarity and stability of the screen
Audio 24MB34PY			•	Audio Input To select the audio input
Others	•	•	•	Language
				Power Indicator
				Off Time Setting
				To customize the screen status for a user's operating environment

- **Analog:** D-SUB (Analog signal) input.
- **Digital:** DVI-D (Digital signal) input.
- **DP:** DisplayPort input.

Menu > Next Menu > Picture	Description
Contrast 24MB34PY	To adjust the contrast of the screen.
Sharpness	To adjust the clearness of the screen.

Menu > Next Menu > Color	Description
Gamma	Set your own gamma value. : Gamma 0, Gamma 1, Gamma 2 on the monitor, high gamma values display whitish images and low gamma values display blackish images.
Color Temp	<p>Custom</p> <ul style="list-style-type: none"> • Red: Set your own red color levels. • Green: Set your own green color levels. • Blue: Set your own blue color levels. <p>Select the screen color.</p> <p>Warm: Set the screen to warm color temperature (more red).</p> <p>Medium: Set the screen to medium color temperature.</p> <p>Cool: Set the screen to cool color temperature (more blue).</p>

Menu > Next Menu > Display	Description
Horizontal	To move image left and right.
Vertical	To move image up and down.
Clock	To minimize any vertical bars or stripes visible on the screen background. The horizontal screen size will also change.
Phase	To adjust the focus of the display. This item allows you to remove any horizontal noise and clear or sharpen the image of characters.

Menu > Next Menu > Audio	Description
Audio Input (Only in DP input) 24MB34PY	To Select the audio source to output to speaker from below items. <ol style="list-style-type: none"> 1. Audio-In: The audio source on external analog audio jack. (Only in Dsub/DVI-D input) 2. DP: The audio source on DP port. 3. Auto: The audio source is switched automatically between DP or Audio-In. DP has higher priority. (Only in DP input)

Menu > Next Menu > Others	Description
Language	To choose the language in which the control names are displayed.
Power Indicator	Use this function to set the power indicator on the bottom side of the monitor to On or Off. If you set Off, it will go off. If you set On at any time, the power indicator will automatically be turned on.
Off Time Setting	The monitor set will switch to power off mode after the time to be chosen by user (1 ~ 24 hours)

Reader Mode	Description
Reader 1	It is a mode that the screen is adjusted to the best for the newspaper. If you want screen more bright, you can control brightness in Menu OSD.
Reader 2	It is a mode that the screen is adjusted to the best for the cartoon. If you want screen more bright, you can control brightness in Menu OSD.
Reader Off	It is a mode that reader mode is off.

 **NOTE**

If option of Reader Mode is Reader 1 or Reader 2, SMART ENERGY SAVING will automatically be Off.

SMART ENERGY SAVING	Description
High	Enables SMART ENERGY SAVING you can save energy with this energy- high efficient function.
Low	Enables SMART ENERGY SAVING you can save energy with this energy- low efficient function.
Off	Disables SMART ENERGY SAVING.

* **SMART ENERGY SAVING:** Conserve energy by using luminance compensation algorithm.

 **NOTE**

- Saving Data depends on the Panel. So, those values should be different from each panel and panel vendor. If option of SMART ENERGY SAVING is High or Low, monitor luminance become higher or lower depend on source.
- If option of SMART ENERGY SAVING is High or Low, Reader Mode will automatically be Reader Off.

TROUBLESHOOTING

Check the following before calling for service.

No image appears	
Is the power cord of the display connected?	<ul style="list-style-type: none"> • Check and see if the power cord is connected properly to the power outlet.
Is the power indicator light on?	<ul style="list-style-type: none"> • Press the Power button.
Is the power on and the power indicator White?	<ul style="list-style-type: none"> • Adjust the brightness and the contrast.
Is the power indicator flickering?	<ul style="list-style-type: none"> • If the display is in power saving mode, try moving the mouse or pressing any key on the keyboard to bring up the screen. • Try to turn on the PC.
Do you see an "OUT OF RANGE" message on the screen?	<ul style="list-style-type: none"> • This message appears when the signal from the PC (video card) is out of horizontal or vertical frequency range of the display. See the 'Specifications' section of this manual and configure your display again.
Do you see a "NO SIGNAL" message on the screen?	<ul style="list-style-type: none"> • When the monitor is on "No-Signal" in 5 minutes, the monitor goes to DPM mode.

Do you see a "OSD LOCKED" message on the screen?	
Do you see "OSD LOCKED" when you push MENU button?	<ul style="list-style-type: none"> • You can secure the current control settings, so that they cannot be inadvertently changed. You can unlock the OSD controls at any time by pushing the MENU button for several seconds: the message "OSD UNLOCKED" will appear.

Display image is incorrect	
Display Position is incorrect.	<ul style="list-style-type: none"> • Press the AUTO button to automatically adjust your display image to the ideal setting.
On the screen background, vertical bars or stripes are visible.	<ul style="list-style-type: none"> • Press the AUTO button to automatically adjust your display image to the ideal setting.
Any horizontal noise appearing in any image or characters are not clearly portrayed.	<ul style="list-style-type: none"> • Press the AUTO button to automatically adjust your display image to the ideal setting. • Check Control Panel ► Display ► Settings and adjust the display to the recommended resolution or adjust the display image to the ideal setting. Set the color setting higher than 24 bits (true color).

**CAUTION**

- Check **Control Panel ► Display ► Settings** and see if the frequency or the resolution were changed. If yes, readjust the video card to the recommend resolution.
- If the recommended resolution (optimal resolution) is not selected, letters may be blurred and the screen may be dimmed, truncated or biased. Make sure to select the recommend resolution.
- The setting method can differ by computer and O/S (Operation System), and resolution mentioned above may not be supported by the video card performance. In this case, please ask to the computer or the video card manufacturer.

Display image is incorrect

The screen color is mono or abnormal.	<ul style="list-style-type: none"> • Check if the signal cable is properly connected and use a screwdriver to fasten if necessary. • Make sure the video card is properly inserted in the slot. • Set the color setting higher than 24 bits (true color) at Control Panel ► Settings.
The screen blinks.	<ul style="list-style-type: none"> • Check if the screen is set to interlace mode and if yes, change it to the recommend resolution.

Do you see an "Unrecognized monitor, Plug&Play (VESA DDC) monitor found" message?

Have you installed the display driver?	<ul style="list-style-type: none"> • Be sure to install the display driver from the display driver CD (or diskette) that comes with your display. Or, you can also download the driver from our web site: http://www.lg.com. • Make sure to check if the video card supports Plug&Play function.
----------------------------------------	--------------------------------------------------------------------------------------------------------------------------------------------------------------------------------------------------------------------------------------------------------------------------------------------------------------------------------------------------------------

SPECIFICATIONS

24MB34PY

Display	Screen Type	TFT (Thin Film Transistor) LCD (Liquid Crystal Display) Panel, Anti-Glare coating
	Pixel Pitch	0.2715 mm x 0.2715 mm (Pixel Pitch)
Sync Input	Horizontal Frequency	30 kHz to 83 kHz (Automatic)
	Vertical Frequency	56Hz to 75Hz (D-SUB,DVI-D) 56Hz to 61Hz (DP)
	Input Form	Separate Sync. Digital
Video Input	Signal Input	15 pin D-SUB Connector / DVI-D Connector (Digital) / DP Connector
	Input Form	RGB Analog (0.7 Vp-p/ 75 ohm), Digital
Resolution	Max	VESA 1920 x 1080 @ 60 Hz
	Recommend	VESA 1920 x 1080 @ 60 Hz
Plug & Play	DDC 2B (Analog, Digital, DP)	
Power Consumption	On mode: 16.7 W Typ. (ENERGY STAR® standard)* 24.9 W Typ. (Outgoing condition)** Sleep Mode ≤ 0.3 W Off Mode ≤ 0.3 W	
Power Input	AC 100-240V ~ 50/60Hz 1.2 A	
Speaker Wattage	1 W + 1 W	
Dimensions (Width x Height x Depth)	With Stand	569.1 mm x 381.8 mm x 239 mm (22.4 inches x 15.0 inches x 9.4 inches)
	Without Stand	569.1 mm x 341.9 mm x 63 mm (22.4 inches x 13.5 inches x 2.5 inches)
Weight	With Stand	4.75 kg (10.5 lbs)
	Without Stand	3.45 kg (7.6 lbs)
Environmental conditions	Operating Temperature Operating Humidity	10°C to 35 °C (50°F to 95°F) 10 % to 80 %
	Storage Temperature Storage Humidity	-20°C to 60 °C (-4°F to 140°F) 5 % to 90 % non-Condensing

The specifications are subject to change without notice.

* The power consumption level can be different by operating condition and monitor setting.

* The On mode power consumption is measured with ENERGY STAR® test standard.

** The On mode power consumption is measured with LGE test standard (Full White pattern , Maximum resolution).

SPECIFICATIONS

24MB34D

Display	Screen Type	TFT (Thin Film Transistor) LCD (Liquid Crystal Display) Panel, Anti-Glare coating
	Pixel Pitch	0.2715 mm x 0.2715 mm (Pixel Pitch)
Sync Input	Horizontal Frequency	30 kHz to 83 kHz (Automatic)
	Vertical Frequency	56Hz to 75Hz (D-SUB,DVI-D)
	Input Form	Separate Sync. Digital
Video Input	Signal Input	15 pin D-SUB Connector / DVI-D Connector (Digital)
	Input Form	RGB Analog (0.7 Vp-p/ 75 ohm), Digital
Resolution	Max	VESA 1920 x 1080 @ 60 Hz
	Recommend	VESA 1920 x 1080 @ 60 Hz
Plug & Play	DDC 2B (Analog, Digital)	
Power Consumption	On mode: 16.7 W Typ. (ENERGY STAR® standard)* 21 W Typ. (Outgoing condition)** Sleep Mode ≤ 0.3 W Off Mode ≤ 0.3 W	
Power Input	AC 100-240V ~ 50/60Hz 1.2 A	
Dimensions (Width x Height x Depth)	With Stand	569.1mm x 433 mm x 209.8 mm (22.4 inches x 17.0 inches x 8.3 inches)
	Without Stand	569.1 mm x 341.9 mm x 63 mm (22.4 inches x 13.5 inches x 2.5 inches)
Weight	With Stand	3.85 kg (8.5 lbs)
	Without Stand	3.55 kg (7.8 lbs)
Environmental conditions	Operating Temperature	10°C to 35 °C (50°F to 95°F)
	Operating Humidity	10 % to 80 %
	Storage Temperature	-20°C to 60 °C (-4°F to 140°F)
	Storage Humidity	5 % to 90 % non-Condensing

The specifications are subject to change without notice.

* The power consumption level can be different by operating condition and monitor setting.

* The On mode power consumption is measured with ENERGY STAR® test standard.

** The On mode power consumption is measured with LGE test standard (Full White pattern , Maximum resolution).

Preset Modes (Resolution)

24MB34PY

D-SUB/DVI Timing

Display Modes (Resolution)	Horizontal Frequency (kHz)	Vertical Frequency (Hz)	Polarity (H/V)	
720 x 400	31.468	70	-/+	
640 x 480	31.469	60	-/-	
640 x 480	37.500	75	-/-	
800 x 600	37.879	60	+/+	
800 x 600	46.875	75	+/+	
1024 x 768	48.363	60	-/-	
1024 x 768	60.023	75	+/+	
1152 x 864	67.500	75	+/+	
1280 x 1024	63.981	60	+/+	
1280 x 1024	79.976	75	+/+	
1680 x 1050	65.290	60	-/+	
1920 x 1080	67.5	60	+/+	Recommend Mode

DP Timing

Display Modes (Resolution)	Horizontal Frequency (kHz)	Vertical Frequency (Hz)	Polarity (H/V)	
640 x 480	31.469	60	-/-	
800 x 600	37.879	60	+/+	
1024 x 768	48.363	60	-/-	
1280 x 1024	63.981	60	+/+	
1680 x 1050	65.290	60	-/+	
1920 x 1080	67.5	60	+/+	Recommend Mode

24MB34D

D-SUB/DVI Timing

Display Modes (Resolution)	Horizontal Frequency(kHz)	Vertical Frequency(Hz)	Polarity(H/V)	
720 x 400	31.468	70	-/+	
640 x 480	31.469	60	-/-	
640 x 480	37.500	75	-/-	
800 x 600	37.879	60	+/+	
800 x 600	46.875	75	+/+	
1024 x 768	48.363	60	-/-	
1024 x 768	60.023	75	+/+	
1152 x 864	67.500	75	+/+	
1280 x 1024	63.981	60	+/+	
1280 x 1024	79.976	75	+/+	
1680 x 1050	65.290	60	-/+	
1920 x 1080	67.500	60	+/+	Recommend Mode

Indicator

Mode	LED Color
On Mode	White
Sleep Mode	Blinking White
Off Mode	Off



Declaration of Conformity

Trade Name: LG

Model : 24MB34PY,24MB34D

Responsible Party: LG Electronics Inc.

Address : 1000 Sylvan Ave. Englewood Cliffs

NJ 07632 U.S.A

TEL: 201-266-2534

*above information is only for USA FCC Regulatory

Make sure to read the Safety Precautions before using the product.

Keep the Owner's Manual (CD) in an accessible place for future reference.

The model and serial number of the SET is located on the back and one side of the SET. Record it below should you ever need service.

MODEL _____

SERIAL _____

ENERGY STAR is a set of power-saving guidelines issued by the U.S.Environmental Protection Agency (EPA).



As an ENERGY STAR Partner LGE U. S. A.,Inc. has determined that this product meets the ENERGY STAR guidelines for energy efficiency.