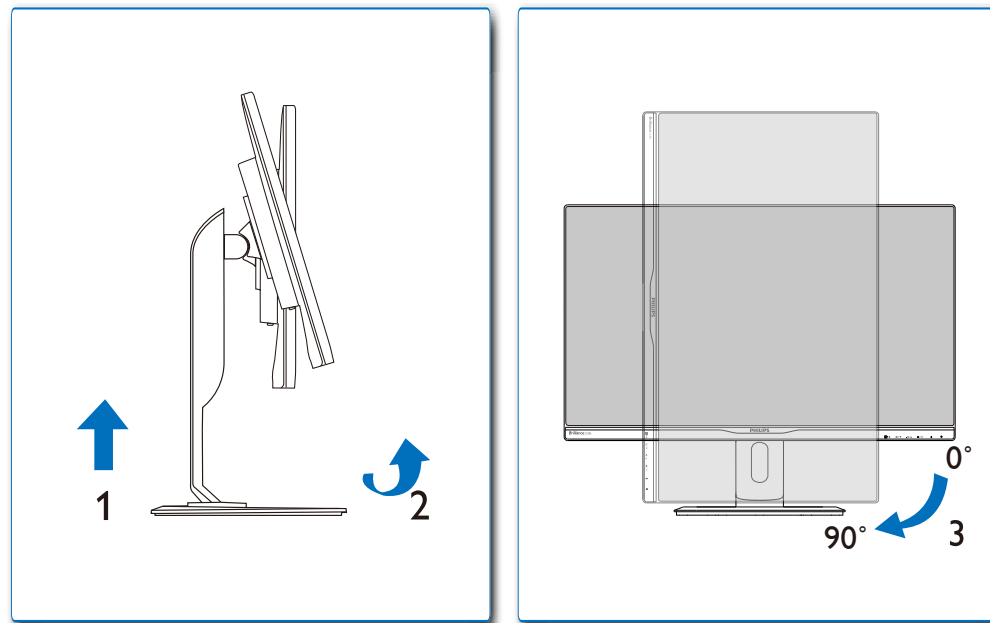
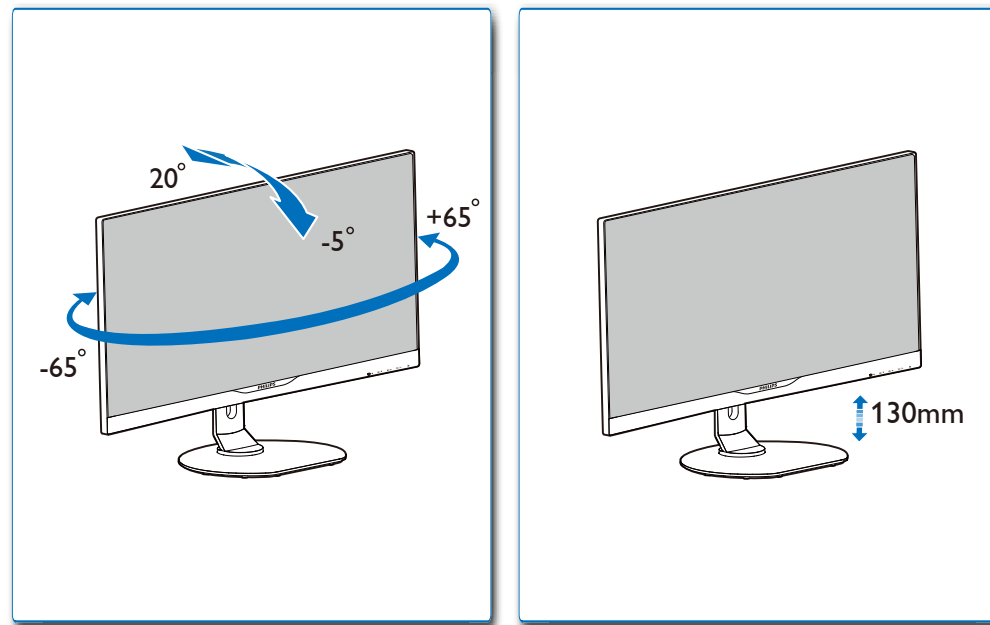


GRAPHIC DEVELOPMENT MMD	
Product name	258B6QU-QSG
Project no.	
Finishing	Folded sheet
Scale	1:1
Size Spreads	594 (W) x 210 (H) mm
Size	148.5 (W) x 210 (H) mm
Operator(s)	
Date amended	Jan. 25, 2016
VERSION No.	13
APPROVAL	
QC Lithographer	
Product Manager	
Date Check	
ARTWORK DOCUMENT	
Paper	80gsm White, woodfree coated
Numbers of colours	2C2C
Spotcolor	
Aftertreatment	
<input type="checkbox"/> Cropping	
<input type="checkbox"/> Coating	
<input type="checkbox"/> Varnishing	
<input type="checkbox"/> Embossing	
<input type="checkbox"/> Cutterguide	
<input type="checkbox"/> Die-cut	
<input type="checkbox"/> Binding	
<input type="checkbox"/> Glue	

4



- Need help?
Online help: www.philips.com/support
- 需要帮助?
在线帮助: www.philips.com/support
- Besoin d'Aide ?
Aide en ligne: www.philips.com/support
- 도움이 필요하십니까?
온라인 도움말: www.philips.com/support
- ¿Necesita ayuda?
Ayuda en línea: www.philips.com/support
- ヘルプが必要ですか?
オンラインヘルプ: www.philips.com/support
- Benötigen Sie Hilfe?
Online-Hilfe: www.philips.com/support
- Yardma mi ihtiyacınız var?
Online yardım: www.philips.com/support
- Avete bisogno di aiuto?
Guida in linea: www.philips.com/support
- Precisa de ajuda?
Ajuda online: www.philips.com/support
- Потребуется допoмoги?
Подтримка он-лайн: www.philips.com/support
- मदद चाहिए?
ऑनलाइन मदद: www.philips.com/support
- Нужна помощь?
Интерактивная справка: www.philips.com/support
- هل تريد المساعدة?
www.philips.com/support للمساعدة عبر الانترنت

Version: 258BUQ1L
© 2016 Koninklijke Philips N.V. All rights reserved.
Specifications are subject to change without notice.
Philips and the Philips Shield Emblem are registered trademarks of Koninklijke Philips N.V. and are used under license from Koninklijke Philips N.V.
www.philips.com

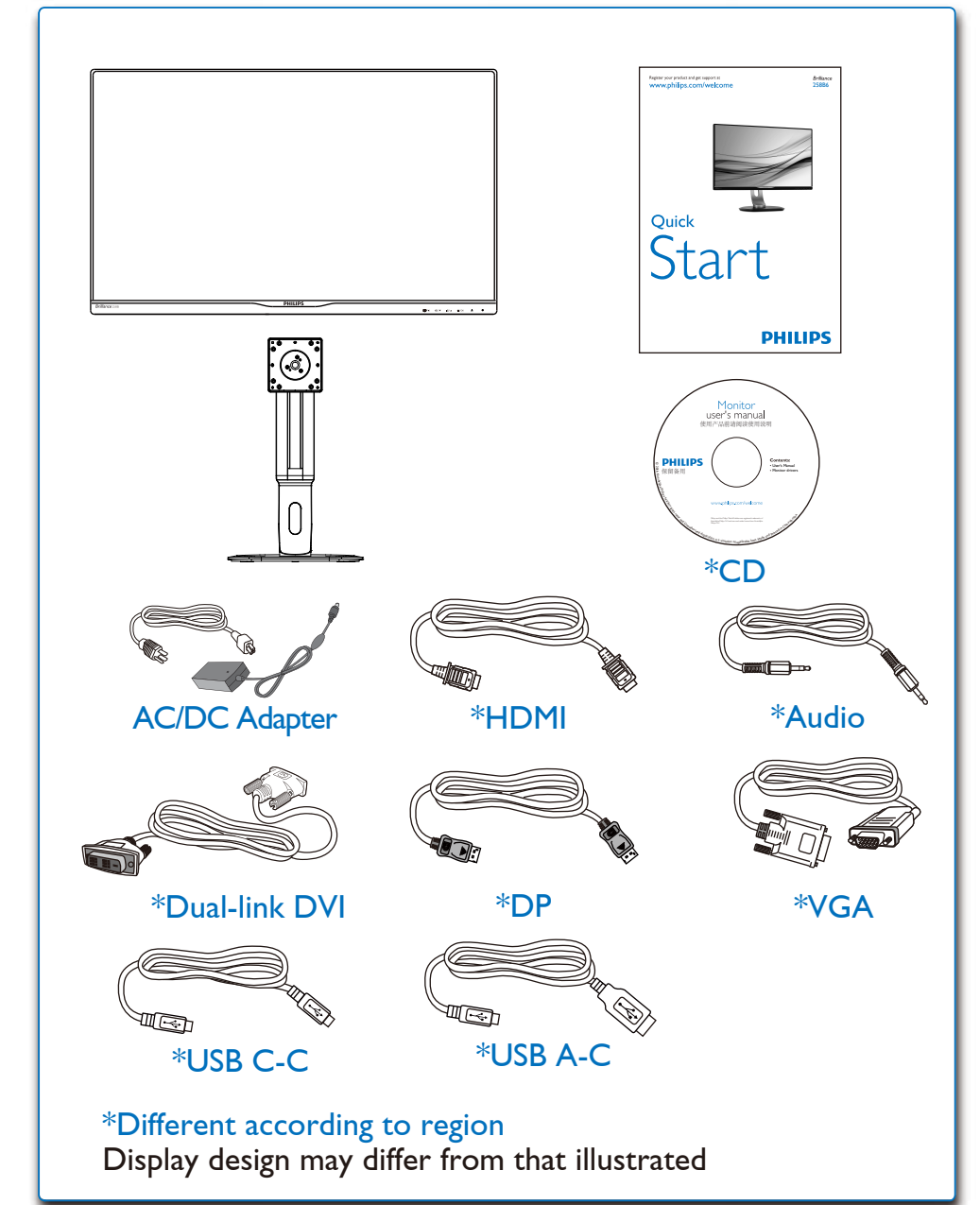


Register your product and get support at
www.philips.com/welcome

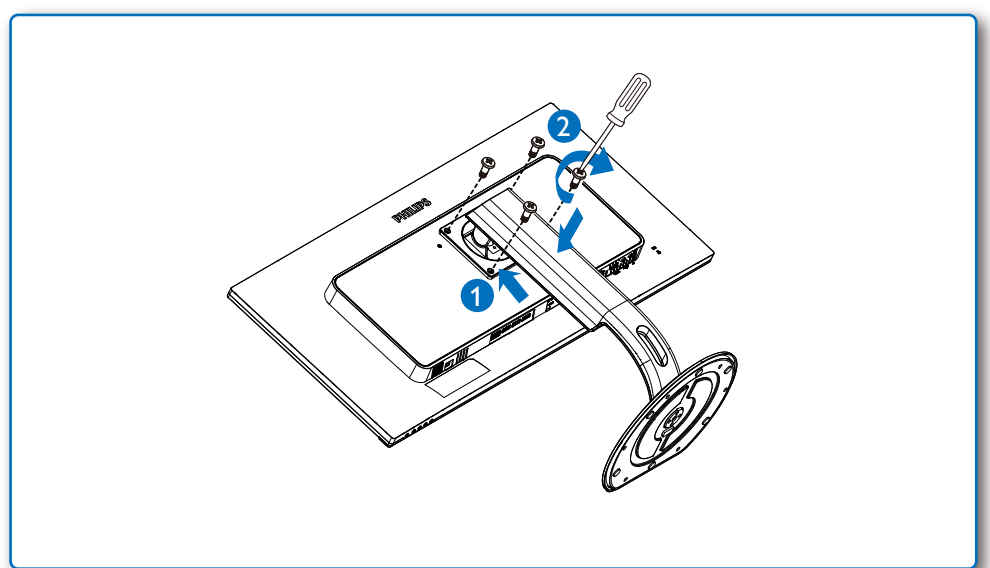
Brilliance
258B6



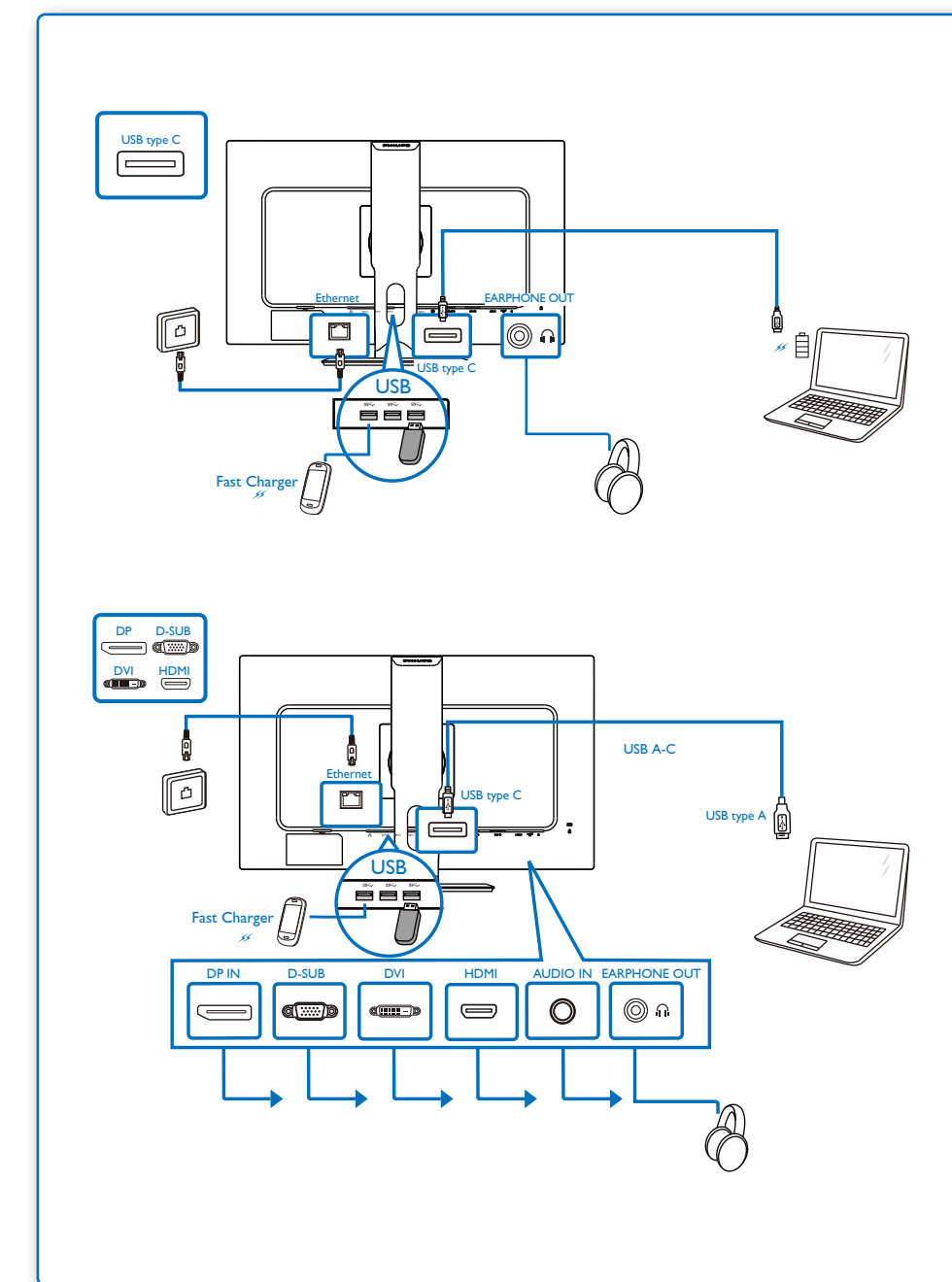
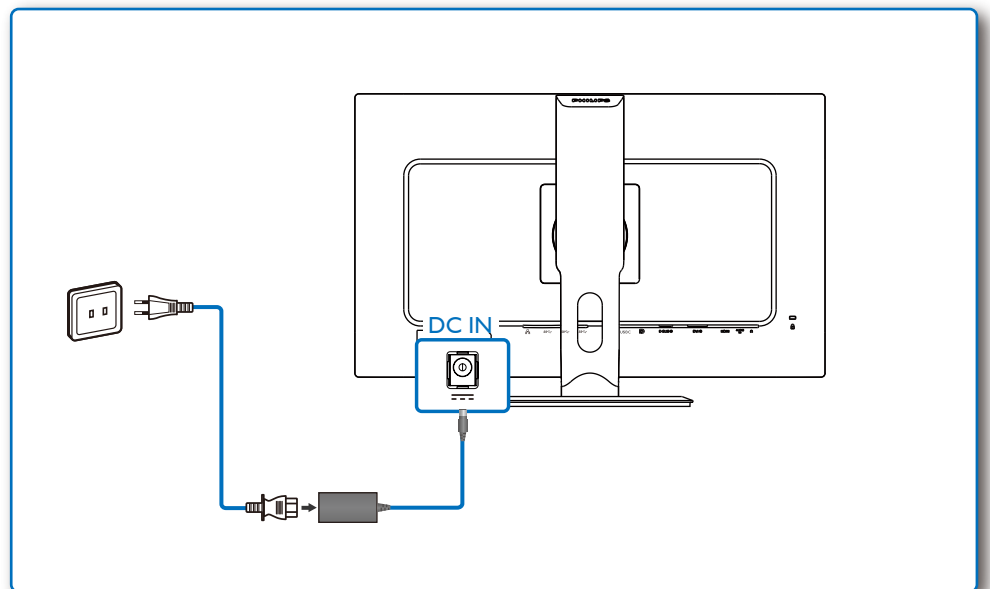
Quick Start



1



2



3

