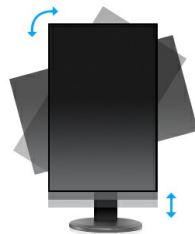




**Full HD LED monitor with 1 ms response time, perfect choice for home and office**

The ProLite B2283HS is an excellent 22" Full HD LED-backlit monitor with 1920 x 1080p resolution. It features 1ms response time and 80 000 000 : 1 Advanced Contrast Ratio, assuring clear and vibrant picture quality and high contrast. Triple Input support ensures compatibility with the latest installed graphics cards and embedded Notebook outputs. The ergonomic stand offers 13 cm height adjustment with pivot and swivel, making this screen suitable for a wide range of applications and environments where workplace flexibility and ergonomics are key factors. The monitor is TCO Certified. A perfect solution for education, local government, business and finance markets.



**HAS + Pivot**

With a height adjustable stand you will create an ergonomic work posture and position that meets all health and safety requirements. This will not only prevent any health issues but will also increase your productivity. The pivot function allows the screen to rotate from landscape to portrait orientation. This functionality can be useful if the application requires more height than width.



**Flicker-free + Blue light**

The ultimate solution for the comfort and health of your eyes. Flicker-free monitors with the blue light reducer function substantially reduce the strain and fatigue caused by flickering and blue light emittance of regular monitors.

## 01 DISPLAY CHARACTERISTICS

Diagonal	21.5", 54.7cm
Panel	TN LED, matte finish
Native resolution	1920 x 1080 @75Hz (2.1 megapixel Full HD, HDMI&DisplayPort)
Aspect ratio	16:9
Brightness	250 cd/m <sup>2</sup> typical
Static contrast	1000:1 typical
Advanced contrast	80M:1
Response time	1ms
Viewing zone	horizontal/vertical: horizontal°/vertical 170°, right/left: 0°/0°, up/down: 0°/0°
Viewing zone CR>5	horizontal/vertical: horizontal°/vertical 176°, right/left: 0°/0°, up/down: 0°/0°
Colour support	16.7mIn 8bit (6bit + Hi-FRC) (sRGB: 99%; NTSC: 72%)
Horizontal Sync	30 - 80KHz
Vertical Sync	55 - 75Hz
Viewable area W x H	476.6 x 268.1mm, 18.8 x 10.6"
Pixel pitch	0.248mm
Colour	matte, black

## 02 INTERFACES / CONNECTORS / CONTROLS

Signal input	VGA x1 HDMI x1 DisplayPort x1
HDCP	yes
Headphone connector	yes

## 03 FEATURES

Blue light reducer	yes
Flicker free	yes
OSD languages	EN, DE, FR, ES, IT, CN, RU, JP, CZ, NL, PL
Control buttons	Power, Menu/ Select, Scroll up/ Volume, Scroll down/ ECO, Exit, Input Select
User controls	picture adjust (contrast, brightness, OD, ACR, ECO, Blue Light Reducer), input select, audio adjust (volume, mute, digital audio), colour adjust, image adjust (auto adjust, H. position, V. position, clock, phase, sharpness, video mode adjust), language, setup (OSD position, OSD timeout, opening logo, auto power off), display information, reset
Speakers	2 x 1W
Convenience	Kensington-lock™ prepared, DDC2B, Mac OSX

## 04 MECHANICAL

Display position adjustments	height, pivot (rotation), swivel, tilt
Height adjustment	130mm
Rotation (PIVOT function)	90°
Swivel stand	90°; ° left; 45° right
Tilt angle	22° up; 5° down
VESA mounting	100 x 100mm

## 05 ACCESSORIES INCLUDED

Cables	power, HDMI
Other	quick start guide, safety guide

## 06 POWER MANAGEMENT

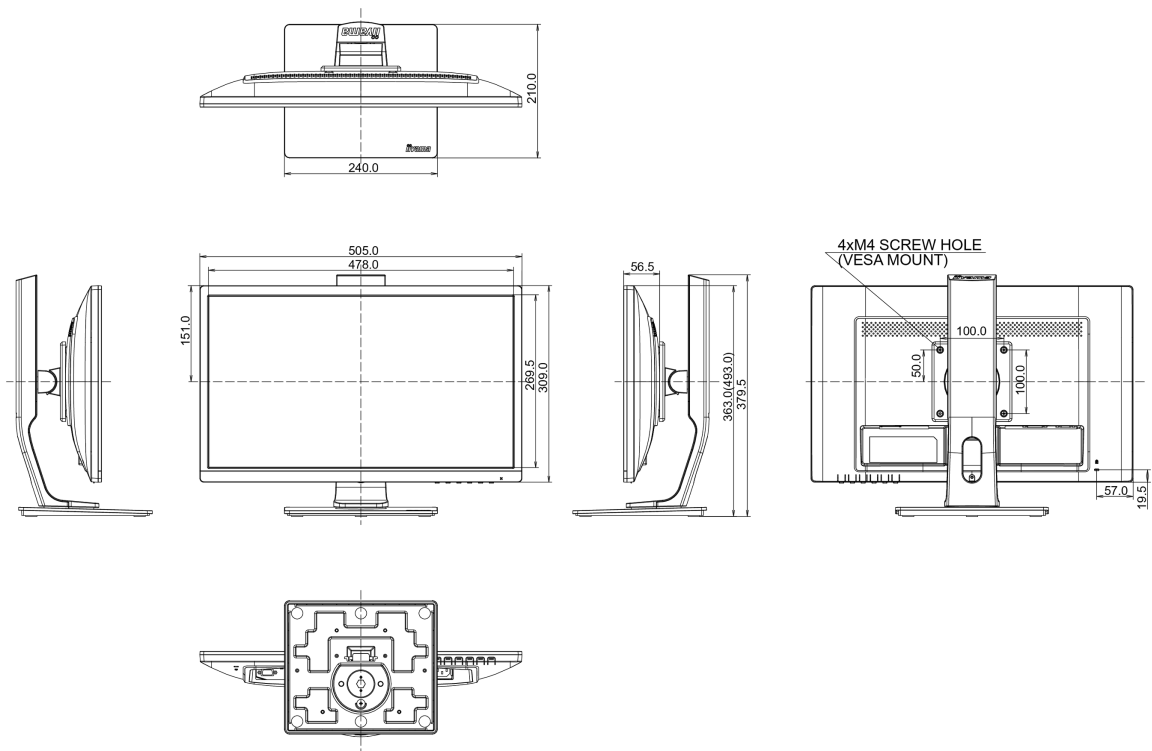
Power supply unit	internal
Power supply	AC AC - 100V, 240/V, 50Hz
Power usage	21W typical, 0.5W stand by, 0.5W off mode

## 07 SUSTAINABILITY

Regulations	TCO, CE, TÜV-GS, VCCI-B, Energy Star , EPEAT, CU
Energy efficiency class	B
Other	REACH SVHC above 0.1%: Lead

## 08 DIMENSIONS / WEIGHT

Product dimensions W x H x D	505 x 371.5 (501.5) x 230mm
Weight (without box)	4.8kg
EAN code	4948570115600



## 10 EU ENERGY EFFICIENCY LABEL

Manufacturer	iiyama
Model	ProLite B2283HS-B3
Energy efficiency class	B
Visible screen diagonal	55cm;"; (21.5" segment)

ON mode power consumption	21.8W
Annual energy consumption	32kWh/annum*
Power in Standby	0.5W stand by
Power in OFF Mode	0.5W off mode
Resolution	1920 x 1080

*This is information under Regulation (EU) No 1062/2010.\*Based on the power consumption of the television operating 4 hours per day for 365 days. The actual energy consumption will depend on how the television is used.*

*All trademarks and registered trademarks acknowledged. E & O E. Specification subject to change without notice. All LCD's comply with ISO-9241-307:2008 in connection with pixel defects.*

© Iiyama Corporation. All rights reserved