

21.5" Full HD Widescreen LED Monitor

L215ADS

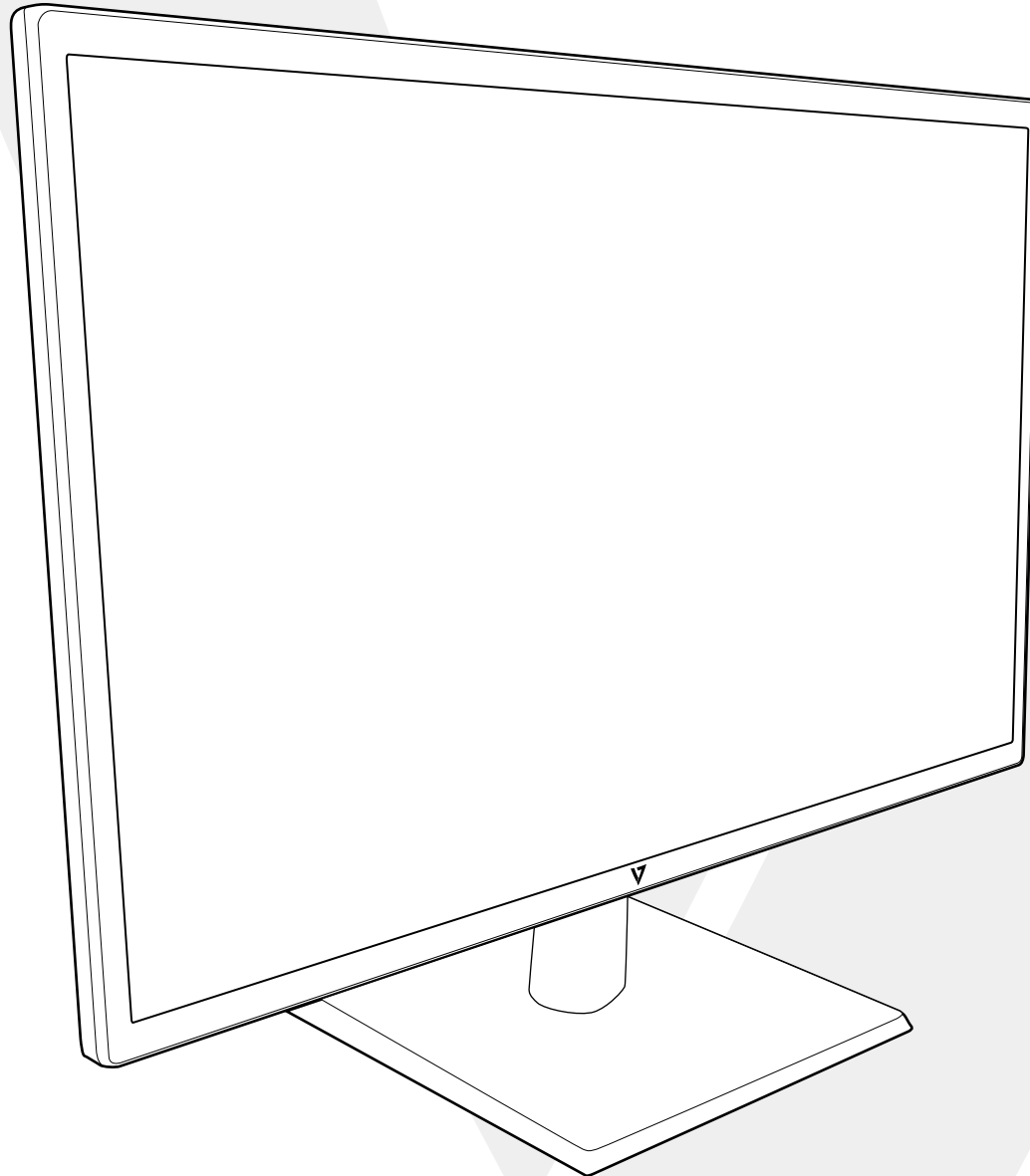


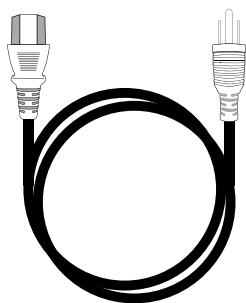
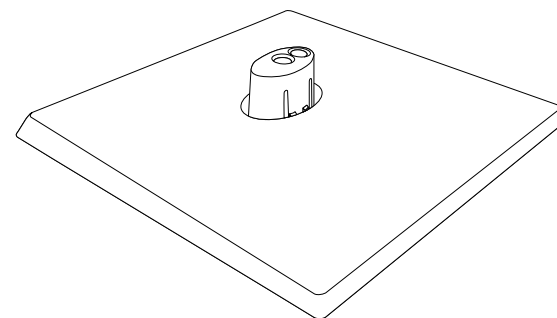
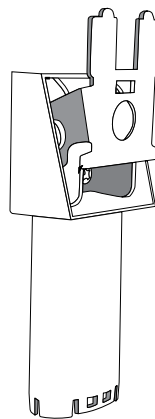
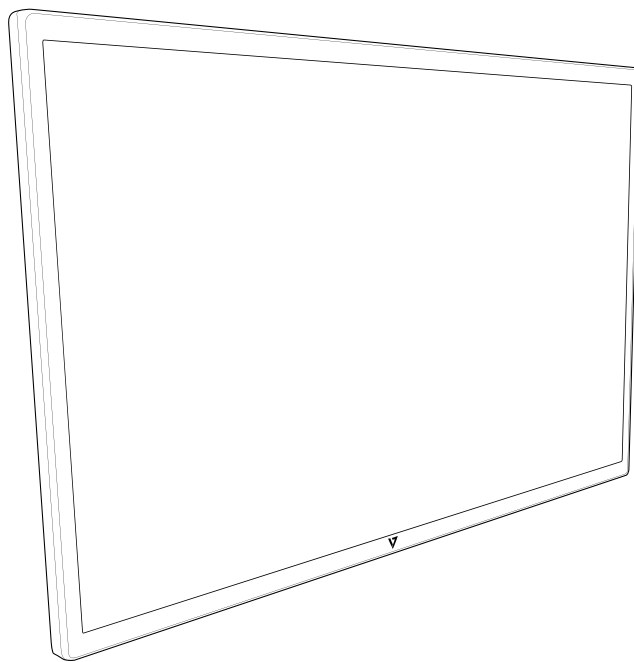
TABLE OF CONTENTS

- 1 Getting Started**
- 2 Control Panel/ Back Panel**
- 3 On Screen Display**
- 4 Technical Specs**
- 5 Care & Maintenance**
- 6 Troubleshooting**
- 7 Safety Info & FCC warning**

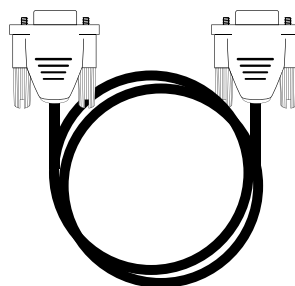
1 GETTING STARTED

Package includes

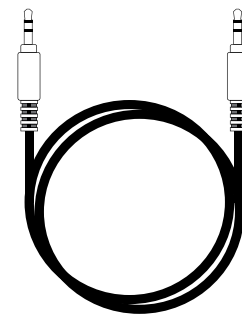
- AC power cord
- VGA cable
- Audio cable
- Quick start guide



AC Power Cord



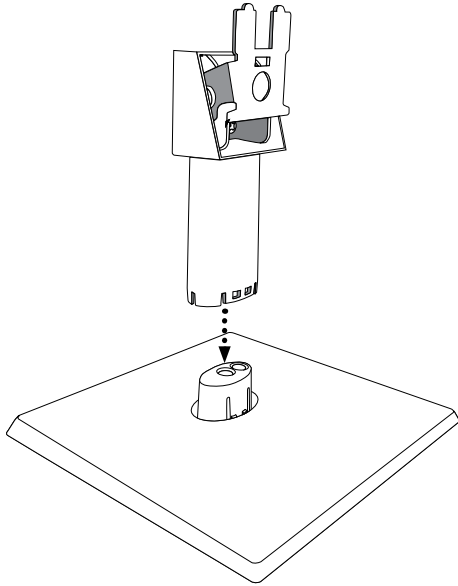
VGA Cable



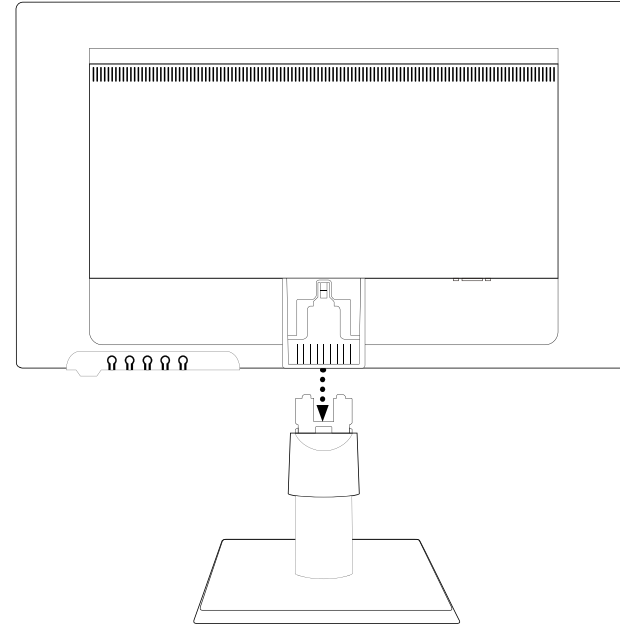
Audio Cable

Installation

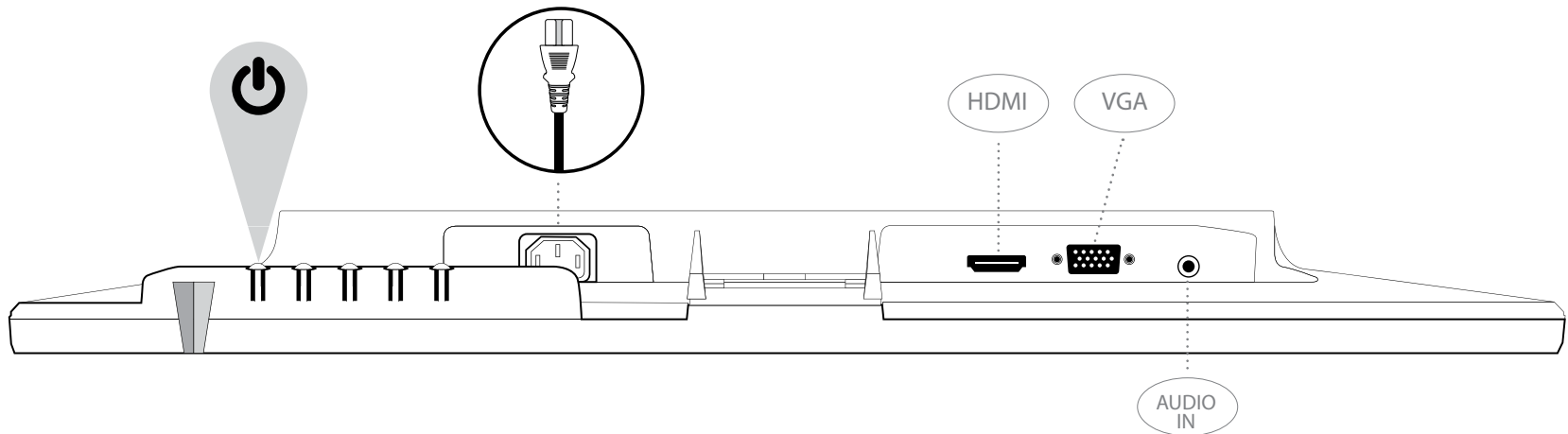
1. Insert post into base



2. Slide post into monitor slot

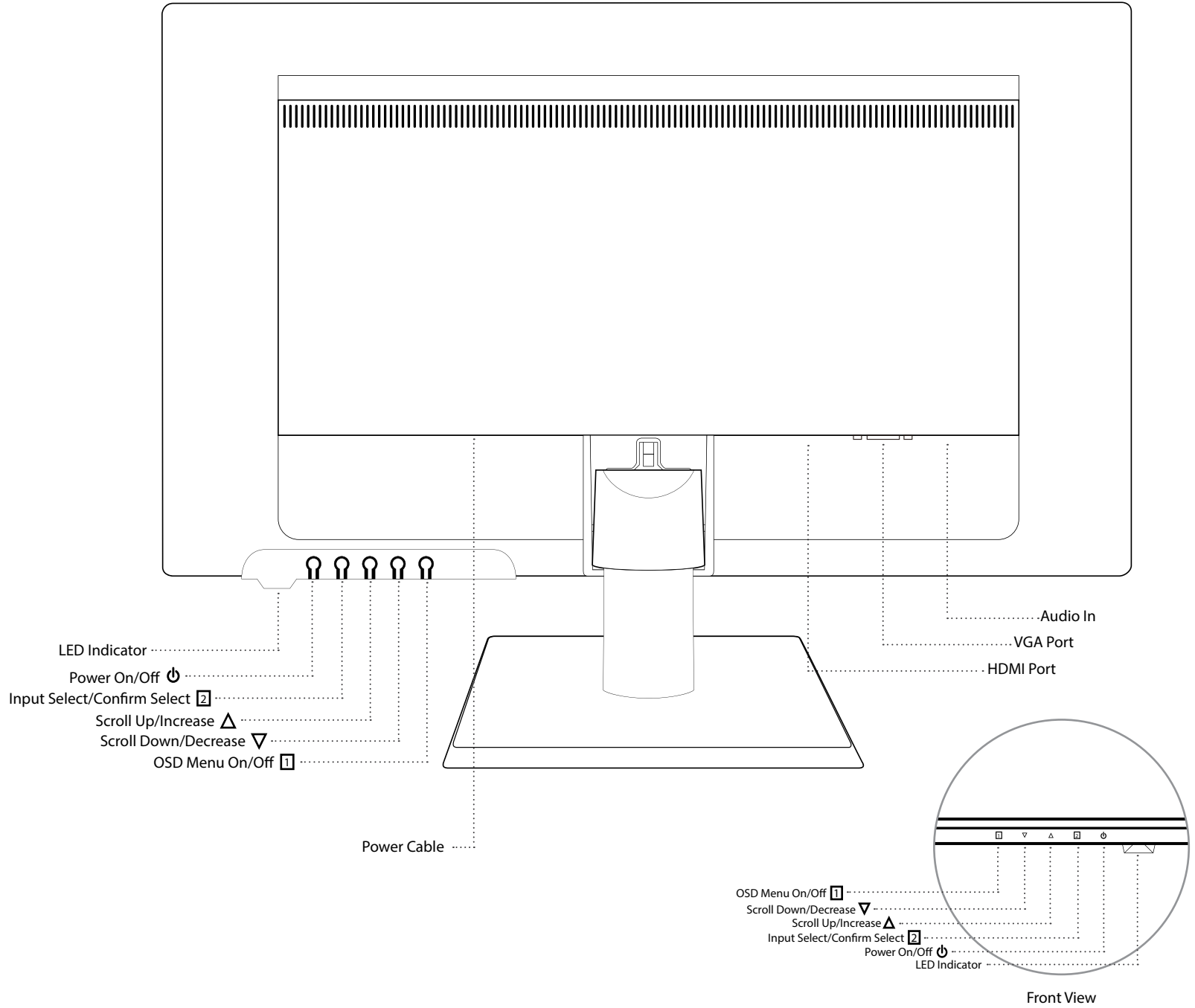


3. Connect Video Cable, Connect Power Cord



4. Power on Computer and Monitor

Control Panel/Back Panel



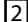








Using On Screen Display (OSD) Functions

Main Menu



Button Function		
	Automatic Adjustment	To auto adjust Horizontal Position, Vertical Position, Phase (Fine Tune) and Clock (H. Size) of the screen.
	Contrast/Brightness	To manually adjust the Contrast, Brightness, DCR and ECO of screen image.
		Contrast: To adjust the foreground white level of screen image. ▲ increase contrast, ▼ decrease contrast.
		Brightness: To adjust the luminance of the video. ▲ increase brightness, ▼ decrease brightness.
		DCR: To detect the distribution of the visual signals inputs, and create an optimized contrast. Brightness and ECO adjustment will be disabled when DCR is active.
ECO: Allows the user to change the ECO mode. Contrast, Brightness and DCR adjustment will be disabled when ECO is active.		
	Input Source	When Input Select is pressed, change Input signal to VGA, HDMI, or Auto.

Button Function		
	Audio Adjustment	To adjust the audio functions.
		Volume: To adjust the volume of speaker output.
		Mute: To turn the Mute ON/OFF.
		Audio input: When in HDMI input, select where the audio source comes from Line-In or HDMI.
	Color Setting	Color modes: cool, normal, warm and user color
		User color: Individual adjustments for red (R), green (G), blue (B). 1. Press button  to select the desired color. 2. Press  or  button to adjust selected color.
		Blue Light Reducer: Reduces the amount of blue light that is emitted from the monitor. It contains 3 user-selectable presets
		Picture mode: Provides an optimum display environment depending on the contents displayed. It contains 5 user-selectable presets. <ul style="list-style-type: none"> • Standard is for general windows environment and monitor default setting. • Game optimized for PC game environment • Video optimized for movie and video environment • Landscape optimized for displaying outdoor scenery images. • Text optimized for text editing and viewing in a word processing environment
	Information	To display the information, regarding the current input signal coming from the graphic card in your computer. Note: See your graphic card user guide for more information about changing the resolution and refresh rate.

Button Function		
	Manual Image Adjustment	<p>To manually adjust the H. /V. Position, Horizontal size, Fine tune and Sharpness.</p> <p>H. /V. Position: To adjust the horizontal and vertical position of the video.</p> <p>H. Position: ▲ : move screen to the right, ▼: move screen to the left. V. Position: ▲ : move screen up, ▼: move screen down.</p> <p>Horizontal Size: To adjust the width of the screen image. ▲ : increase the width of the screen image, ▼: decrease the width of the screen image</p> <p>Fine Tune: To adjust the delay time of data and clock. Press ▲ or ▼ to adjust to your preference.</p> <p>Sharpness: To adjust the clarity of a non-Full HD Resolution (1920x1080) signal with ▲ or ▼ button</p> <p>Video mode adjust: To select the video mode from 16:9 or 4:3.</p>
	Menu Setting	<p>To set up Language select, OSD Position, OSD time out and OSD background.</p> <p>Language Select: To allow users to choose from available languages</p> <p>OSD Position: Press ▲ or ▼ button to select between horizontal and vertical OSD Position Adjustment. OSD H. Position: To horizontally adjust the OSD Position ▲ : move OSD to the right, ▼ : move OSD to the left OSD V. Position: To vertically adjust the OSD position. ▲ : move OSD up, ▼ : move OSD down.</p> <p>OSD time out: To automatically turn off On Screen Display (OSD) after a preset period of time.</p> <p>OSD background: Allows the user to turn the OSD background On or Off</p>
	Memory recall	<p>To recall factory settings for Video & Audio controls. Press button 2 to select the Memory Recall menu option.</p>

4 TECHNICAL SPECS

Technical Specification

LED Panel	54.7cm (21.5") TFT (with LED back light)
Power Management	VESA DPMS compatible Off Mode, < 0.5 W
Displayable Resolution	Full HD 1920 x 1080 max. Vertical Frequency 60Hz max.
Pixel Dimension	0.24795 x .24795 mm
LED Display Color	16.7M colors
Tilt	-3°~18° (±3°)
Active Display Area	476.64mm x 267.78 mm
Temperature	Operating: 0°C ~ + 40°C Storage: -20°C ~ + 60°C
Compliance	CE, CB, FCC, EPA7.0, NOM, TCO 7.0
Power	Input Voltage AC100-240 V
Speaker	1W x 2

Care

- Avoid exposing your monitor directly to sunlight or other heat source. Place your monitor away from the sun to reduce glare.
- Put your monitor in a well ventilated, clean, dry area.
- Do not place any heavy things on top of your monitor.
- Keep your monitor away from magnets, motors, transformers, speakers, and TV sets.

Safety Tips

- If at any time the monitor emits smoke, odor or abnormal noises, remove the power cord immediately and call the service center.
- Never remove the rear cover of your monitor cabinet. The display unit inside contains high-voltage parts and may cause electric shock.
- Never try to repair your monitor yourself. Always call your service center or a qualified technician to fix it.

6 TROUBLESHOOTING

No Power

- Make sure AC power cord is securely connected to the power adapter and the power supply is firmly connected to the monitor.
- Plug another electrical device into the power outlet to verify that the outlet is supplying proper voltage.
- Make sure all signal cables are installed.

Power on but no screen image

- Make sure the video cable supplied with the monitor is tightly secured to the video output port on back of the computer. If not, tightly secure it.
- Adjust brightness

Wrong or abnormal colors

- If any colors (red, green, blue) are missing, check the video cable to make sure it is securely connected. Loose or broken pins in the cable connector could cause an improper connection
- Connect the monitor to another computer

Safety Precautions

This monitor is manufactured and tested on a ground principle that a user's safety comes first. However, improper use or installation may result danger to the monitor as well as to the user. Carefully go over the following WARNINGS before installation and keep this guide handy.

WARNINGS

- This monitor should be operated only at the correct power sources indicated on the label on the rear end of the monitor. If you're unsure of the power supply in your residence, consult your local dealer or power company.
- Do not try to repair the monitor yourself as it contains no user-serviceable parts. The monitor should only be repaired by a qualified technician.
- Do not remove the monitor cabinet. There is high-voltage parts inside that may cause electric shock to human bodies, even when the power cord is disconnected.
- Stop using the monitor if the cabinet is damaged. Have it checked by a service technician.
- Put your monitor only in a clean, dry environment. Unplug the monitor immediately if gets wet and consult your service technician.
- Always unplug the monitor before cleaning it. Clean the cabinet with a clean, dry cloth. Apply non-ammonia based cleaner onto the cloth, not directly onto the glass screen.
- Keep the monitor away from magnetic objects, motors, TV sets, and transformer.
- Do not place heavy objects on the cable or power cord.
- Due to safety concerns, if the VESA mounting kit is purchased separately, please make sure the mounting kit is UL-Listed, and replaceable only by service personnel.

FCC RADIO FREQUENCY INTERFERENCE STATEMENT WARNING: (FOR FCC CERTIFIED MODELS)

This monitor has been tested and found compliant with the limits for a Class B digital device, pursuant to part 15 of the FCC Rules. These limits are designed to provide proper protection against harmful interference to a residential installation. This monitor generates, uses, and can radiate radio frequency energy. Harmful interference to radio communication may be led as a result if it's not properly installed and used. However, there is no guarantee that interference will not occur in a particular installation. If this monitor does cause serious interference to radio or television reception, resetting the monitor may determine it. Moreover, users are encouraged to correct interference by doing one or more of the following:



- Reorient or relocate the receiving antenna.
- Move the monitor and the receiver further away from each other.
- Connect the monitor into an outlet on a circuit different from that to which the receiver is connected.
- Consult your local dealer or an qualified technician.

FCC Warning:

To assure a continued FCC compliance, a user must use a grounded power supply cord and the provided shielded video interface cable with bonded ferrite cores. Also, any unauthorized changes or modifications to this monitor would void the user's authority to operate this device. Each country in the European Union should have its collection centers for electrical and electronic equipment recycling. For information about your recycling drop off area, please contact your related electrical and electronic equipment waste management authority or the retailer where you bought the product.

Note: If necessary, shielded interface cables and AC power cord must be used to meet the emission level limits.



According to WEEE regulation, this monitor can't be handled as normal trash in Europe when it is out of usage. Please refer to the recycle information from our website to handle it.

CAN ICES-3(B)/NMB-3(B)

This device complies with Part 15 of the FCC Rules.

Operation is subject to the following two conditions:

- (1) this device may not cause harmful interference, and
- (2) this device must accept any interference received, including interference that may cause undesired operation.

CONSUMO DE ENERGÍA:

- 1) En OPERACIÓN: 16.0Wh
- 2) En modo de ESPERA: 0.152Wh

