

# Oculux Series

## *LCD Monitor*

---

Oculux NXG251R (3EA35 / 3EA37)

Oculux NXG252R (3EA36 / 3EA38)

# Contents

Copyright and Trademarks Notice .....	iii
Revision .....	iii
Technical Support .....	iii
Safety Instructions.....	iv
CE Conformity.....	vi
FCC-B Radio Frequency Interference Statement .....	vi
WEEE Statement .....	vii
Chemical Substances Information .....	vii
RoHS Statement .....	vii

## **Getting Started..... 1-1**

Package Contents.....	1-2
Installing the Monitor Stand.....	1-3
Adjusting the Monitor .....	1-5
Monitor Overview .....	1-6
Connecting the Monitor to PC.....	1-8

## **OSD Setup ..... 2-1**

Navi Key.....	2-2
OSD Setup via Navi Key.....	2-4

## **Appendix ..... A-1**

Specifications .....	A-2
Preset Display Modes .....	A-3
Troubleshooting .....	A-4

## Copyright and Trademarks Notice

Copyright © Micro-Star Int'l Co., Ltd. All rights reserved. The MSI logo used is a registered trademark of Micro-Star Int'l Co., Ltd. All other marks and names mentioned may be trademarks of their respective owners. No warranty as to accuracy or completeness is expressed or implied. MSI reserves the right to make changes to this document without prior notice.

## Revision

Revision	Date
V1.0	2018/09

## Technical Support

If a problem arises with your product and no solution can be obtained from the user's manual, please contact your place of purchase or local distributor. Alternatively, please visit <https://www.msi.com/support/> for further guidance.

# Safety Instructions



- ☐ Read the safety instructions carefully and thoroughly.
- ☐ All cautions and warnings on the device or user's manual should be noted.
- ☐ Refer servicing to qualified personnel only.



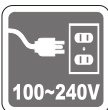
Keep the User's Guide that comes with the package for future reference.



To prevent fire or shock hazard, keep this device away from humidity and high temperature.



Lay this device on a reliable flat surface before setting it up.



- ☐ Make sure that the power voltage is within its safety range and has been adjusted properly to the value of 100~240V before connecting the device to the power outlet. Do not disable the protective earth pin from the plug. The device must be connected to an earthed mains socket-outlet.
- ☐ Always disconnect the power cord or switch the wall socket off if the device would be left unused for a certain time to achieve zero energy consumption.



The ventilator on the device is used for air convection and to prevent the device from overheating. Do not cover the ventilator.



Do not leave the device in an unconditioned environment with a storage temperature above 60°C or below -20°C, which may damage the device.

**NOTE:** The maximum operating temperature is around 40°C.



When cleaning the device, be sure to remove the power plug. Use a piece of soft cloth rather than industrial chemical to clean the device. Never pour any liquid into the opening; that could damage the device or cause electric shock.



Place the power cord in a way that people are unlikely to step on it. Do not place anything on the power cord.



Always keep strong magnetic or electrical objects away from the device.



If any of the following situations arises, get the device checked by service personnel:

- ☑ The power cord or plug is damaged.
- ☑ Liquid has penetrated into the device.
- ☑ The device has been exposed to moisture.
- ☑ The device does not work well or you can not get it work according to user's manual.
- ☑ The device has dropped and damaged.
- ☑ The device has obvious sign of breakage.

#### Green Product Features

- ☑ Reduced energy consumption during use and stand-by
- ☑ Limited use of substances harmful to the environment and health
- ☑ Easily dismantled and recycled
- ☑ Reduced use of natural resources by encouraging recycling
- ☑ Extended product lifetime through easy upgrades
- ☑ Reduced solid waste production through take-back policy



#### Environmental Policy

- ☑ The product has been designed to enable proper reuse of parts and recycling and should not be thrown away at its end of life.
- ☑ Users should contact the local authorized point of collection for recycling and disposing of their end-of-life products.
- ☑ Visit the MSI website and locate a nearby distributor for further recycling information.
- ☑ Users may also reach us at [gpcontdev@msi.com](mailto:gpcontdev@msi.com) for information regarding proper disposal, take-back, recycling, and disassembly of MSI products.

★ Warning! Overuse of screens is likely to affect eyesight.

★ Recommendations:

1. Take a 10-minute break for every 30 minutes of screen time.
2. Children under 2 years of age should have no screen time. For children aged 2 years and over, screen time should be limited to less than one hour per day.

## CE Conformity

This device complies with the requirements set out in the Council Directive on the Approximation of the Laws of the Member States relating to Electromagnetic Compatibility (2014/30/EU), Low-voltage Directive (2014/35/EU), ErP Directive (2009/125/EC) and RoHS directive (2011/65/EU).



This product has been tested and found to comply with the harmonized standards for Information Technology Equipment published under Directives of Official Journal of the European Union.

## FCC-B Radio Frequency Interference Statement



This equipment has been tested and found to comply with the limits for a Class B digital device, pursuant to Part 15 of the FCC Rules. These limits are designed to provide reasonable protection against harmful interference in a residential installation. This equipment generates, uses and can radiate radio frequency energy and, if not installed and used in accordance with the instruction manual, may cause harmful interference to radio communications. However, there is no guarantee that interference will not occur in a particular installation. If this equipment does cause harmful interference to radio or television reception, which can be determined by turning the equipment off and on, the user is encouraged to try to correct the interference by one or more of the measures listed below:

- Reorient or relocate the receiving antenna.
- Increase the separation between the equipment and receiver.
- Connect the equipment into an outlet on a circuit different from that to which the receiver is connected.
- Consult the dealer or an experienced radio/television technician for help.

### Notice 1

The changes or modifications not expressly approved by the party responsible for compliance could void the user's authority to operate the equipment.

### Notice 2

Shielded interface cables and AC power cord, if any, must be used in order to comply with the emission limits.

This device complies with Part 15 of the FCC Rules. Operation is subject to the following two conditions:

1. this device may not cause harmful interference, and
2. this device must accept any interference received, including interference that may cause undesired operation.

MSI Computer Corp.  
901 Canada Court, City of Industry, CA 91748, USA  
(626)913-0828  
www.msi.com

## WEEE Statement

Under the European Union ("EU") Directive on Waste Electrical and Electronic Equipment, Directive 2002/96/EC, which takes effect on August 13, 2005, products of "electrical and electronic equipment" cannot be discarded as municipal waste anymore and manufacturers of covered electronic equipment will be obligated to take back such products at the end of their useful life.



## Chemical Substances Information

In compliance with chemical substances regulations, such as the EU REACH Regulation (Regulation EC No. 1907/2006 of the European Parliament and the Council), MSI provides the information of chemical substances in products at:

[https://www.msi.com/html/popup/csr/evmtprrt\\_pcm.html](https://www.msi.com/html/popup/csr/evmtprrt_pcm.html)

## RoHS Statement

### Japan JIS C 0950 Material Declaration

A Japanese regulatory requirement, defined by specification JIS C 0950, mandates that manufacturers provide material declarations for certain categories of electronic products offered for sale after July 1, 2006.

[https://www.msi.com/html/popup/csr/cemm\\_jp.html](https://www.msi.com/html/popup/csr/cemm_jp.html)

[https://tw.msi.com/html/popup/csr\\_tw/cemm\\_jp.html](https://tw.msi.com/html/popup/csr_tw/cemm_jp.html)

### India RoHS

This product complies with the "India E-waste (Management and Handling) Rule 2011" and prohibits use of lead, mercury, hexavalent chromium, polybrominated biphenyls or polybrominated diphenyl ethers in concentrations exceeding 0.1 weight % and 0.01 weight % for cadmium, except for the exemptions set in Schedule 2 of the Rule.

### Turkey EEE Regulation

Conforms to the EEE Regulations of the Republic Of Turkey

### Ukraine Restriction of Hazardous Substances

The equipment complies with requirements of the Technical Regulation, approved by the Resolution of Cabinet of Ministry of Ukraine as of December 3, 2008 № 1057, in terms of restrictions for the use of certain dangerous substances in electrical and electronic equipment.

### Vietnam RoHS

As from December 1, 2012, all products manufactured by MSI comply with Circular 30/2011/TT-BCT temporarily regulating the permitted limits for a number of hazardous substances in electronic and electric products.





# 1

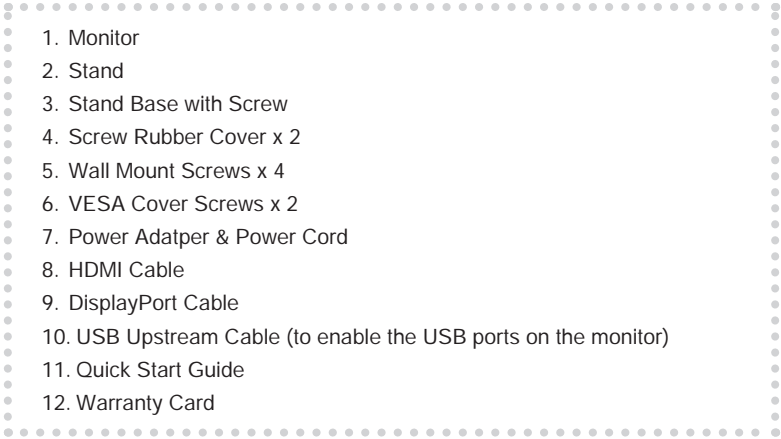
## Getting Started

This chapter provides you with the information on hardware setup procedures. While connecting devices, be careful in holding the devices and use a grounded wrist strap to avoid static electricity.

### **IMPORTANT**

- *The illustrations are for reference only. Your monitor may vary in appearance.*
- *Do not use any sharp objects on the monitor.*

# Package Contents

- 
1. Monitor
  2. Stand
  3. Stand Base with Screw
  4. Screw Rubber Cover x 2
  5. Wall Mount Screws x 4
  6. VESA Cover Screws x 2
  7. Power Adatper & Power Cord
  8. HDMI Cable
  9. DisplayPort Cable
  10. USB Upstream Cable (to enable the USB ports on the monitor)
  11. Quick Start Guide
  12. Warranty Card

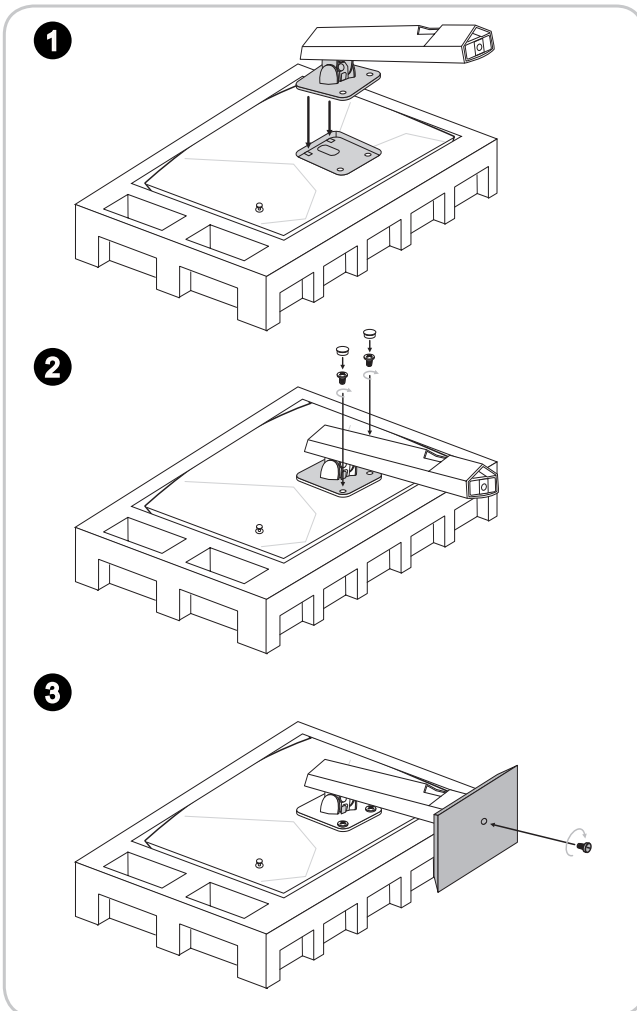
- \* Contact your place of purchase or local distributor if any of the items is damaged or missing.
- \* Package contents may vary by country.

# Installing the Monitor Stand

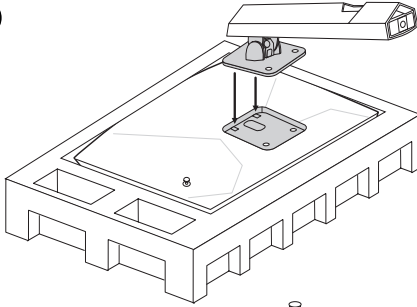
1. Fit the stand to the monitor.
2. Tighten the stand with the screws. Place the screw rubber covers on the screws.
3. Connect the base to the stand and tighten the base screw to secure the base.

## **IMPORTANT**

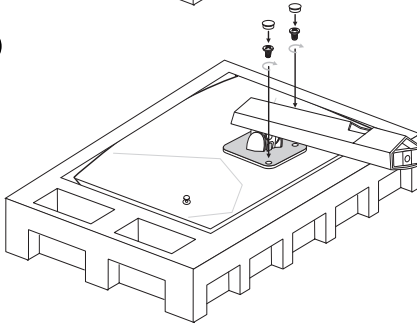
*Place the monitor on a soft, protected surface to avoid scratching the display panel.*



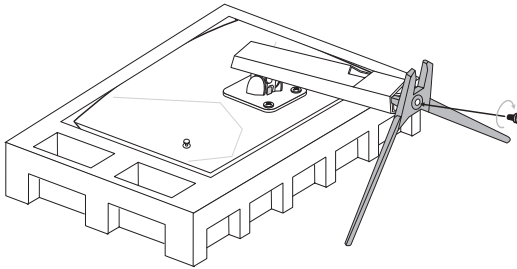
1



2



3



**IMPORTANT**

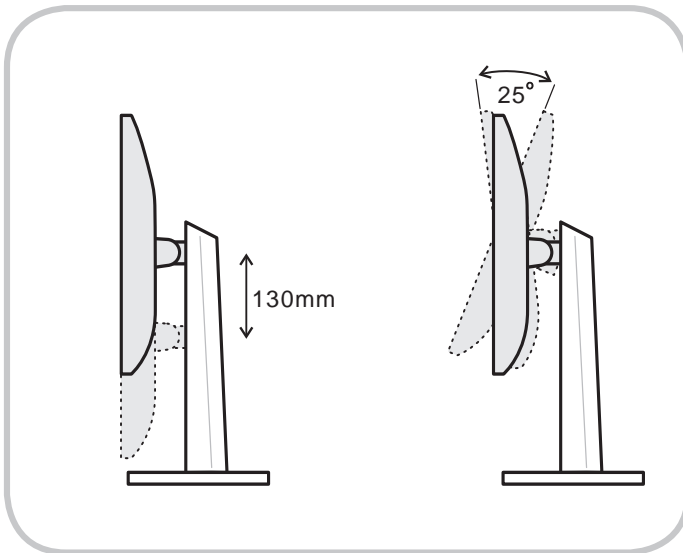
*The holes for installing the stand can be also used for wall mount. Please contact your dealer for proper wall mount kit.*

## Adjusting the Monitor

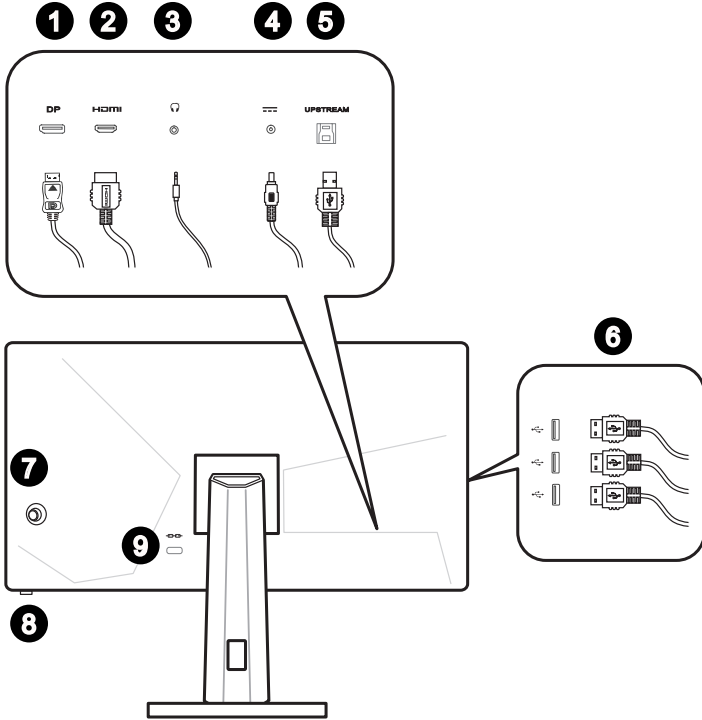
This monitor is designed to maximize your viewing comfort with its adjustment capabilities.

### **IMPORTANT**

*Avoid touching the display panel when adjusting the monitor.*



# Monitor Overview



**1** DisplayPort

**2** HDMI Port **HDMI™**  
HIGH-DEFINITION MULTIMEDIA INTERFACE

**3** Headphone Jack

**4** Power Jack

**5** USB Type B Upstream Port  
For USB Upstream Cable.

**IMPORTANT**

*Check the package for USB Upstream Cable and connect it to the PC and monitor. Once this cable is connected, the USB Type A Downstream Ports on the monitor will be ready for use.*



**6** USB Type A Downstream Port

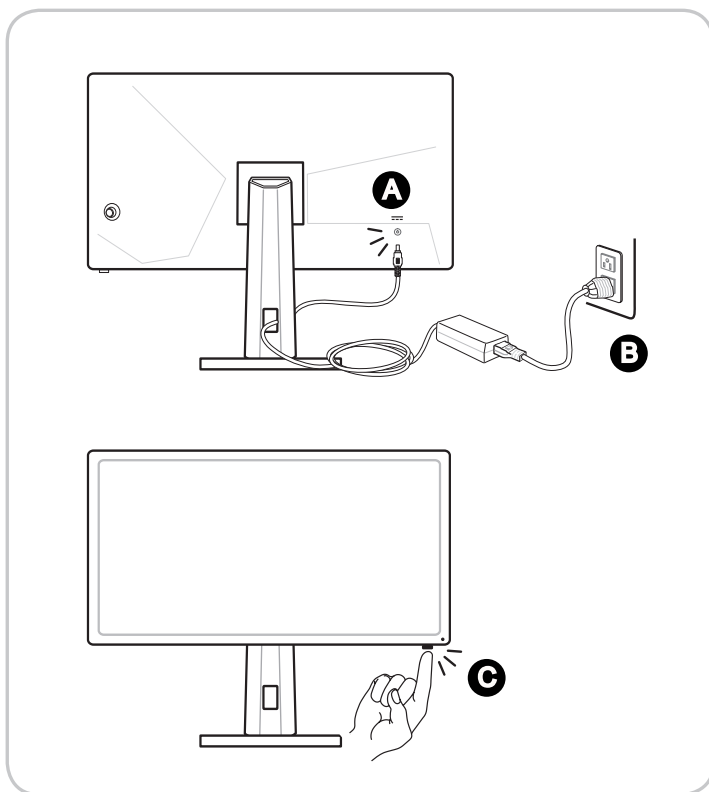
**7** Navi Key

**8** Power Button

**9** Kensington Lock

## Connecting the Monitor to PC

1. Turn off your computer.
2. Connect the HDMI/DisplayPort cable from the monitor to your computer.
3. Connect the power adapter to the monitor power jack. (Figure A)
4. Plug the power cord into the electrical outlet. (Figure B)
5. Turn on the monitor. (Figure C)
6. Power on the computer and select your input source in OSD menu.





# 2

## OSD Setup

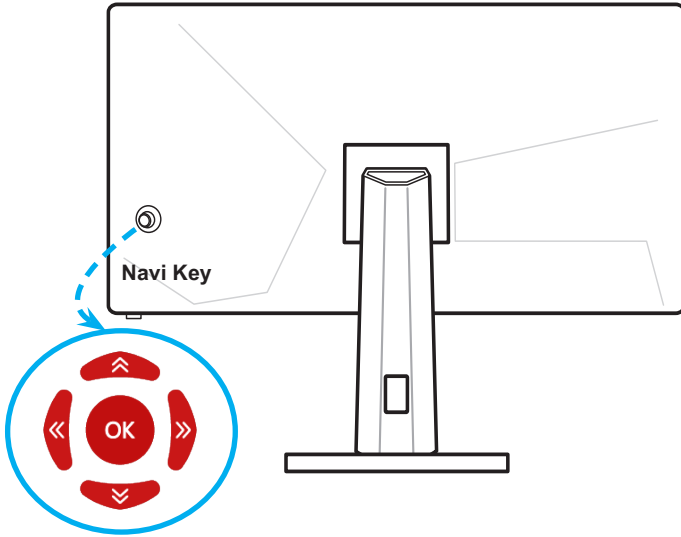
This chapter provides you with essential information on OSD Setup.

### **IMPORTANT**


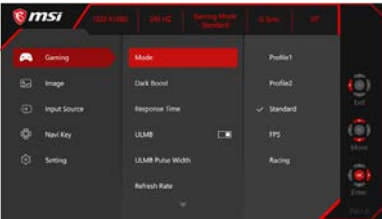

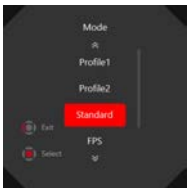



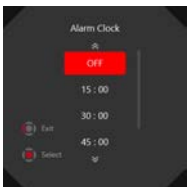

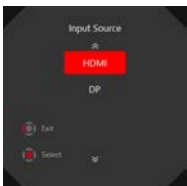
*All information is subject to change without prior notice.*

# Navi Key

The monitor comes with a Navi Key, a multi-directional control that helps navigate the On-Screen Display (OSD) menu.

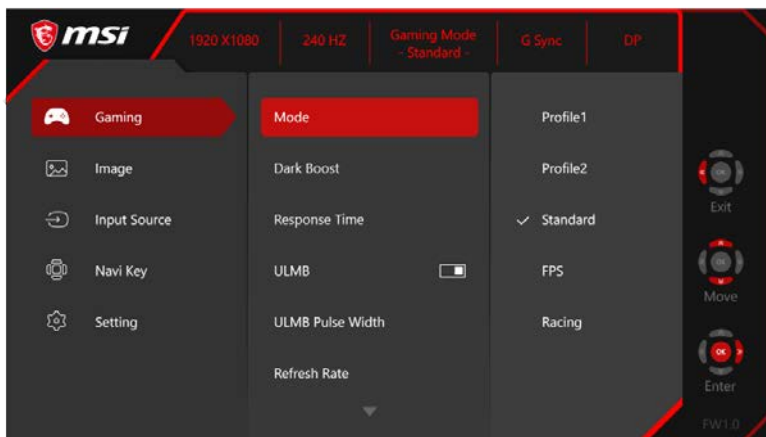


The Navi Key default settings are as follows. Users may enter the OSD Menu to customize their own Navi Key Hot Keys.

Navi Key	Hot Key (When OSD menu is OFF)	Basic Operations (When OSD menu is ON)
Middle Button 	OSD Main Menu 	<ul style="list-style-type: none"> <li>■ Entering submenus</li> <li>■ Confirming a selection or setting</li> </ul>
Up 	Mode 	<ul style="list-style-type: none"> <li>■ Selecting function menus and items</li> <li>■ Allowing upward adjustment in function values</li> </ul>
Down 	Screen Assistance 	<ul style="list-style-type: none"> <li>■ Selecting function menus and items</li> <li>■ Allowing downward adjustment in function values</li> </ul>
Left 	Alarm Clock 	<ul style="list-style-type: none"> <li>■ Selecting function menus and items</li> <li>■ Exiting the current menu</li> </ul>
Right 	Input Source 	<ul style="list-style-type: none"> <li>■ Selecting function menus and items</li> <li>■ Entering submenus</li> </ul>


# OSD Setup via Navi Key

Press the Middle button of Navi Key to launch the On-Screen Display (OSD) main menu. Use the Up, Down, Left, Right buttons to tune the desired function menus to suit your personal preferences.



## ➤ GAMING

1st Level Menu	2nd/3rd Level Menu	Description
Mode	Profile 1	
	Profile 2	
	Standard	
	FPS	
	Racing	
	RTS	
	RPG	
Darkboost	Off	<ul style="list-style-type: none"> <li>This function improves background brightness and is recommended for FPS games.</li> </ul>
	Level 1	
	Level 2	
	Level 3	
Response Time	Normal	<ul style="list-style-type: none"> <li>This function is unavailable if ULMB is enabled.</li> </ul>
	Fast	
	Fastest	
ULMB	<input type="checkbox"/> (Off)	<ul style="list-style-type: none"> <li>This function is unavailable if your graphics card supports G-Sync.</li> <li>This function is unavailable if the input source is HDMI.</li> <li>This function is unavailable if the refresh rate is lower than 100 Hz.</li> </ul>
	<input checked="" type="checkbox"/> (On)	

1st Level Menu	2nd/3rd Level Menu		Description
ULMB Pulse Width	10-100		<ul style="list-style-type: none"> <li>This function is available if ULMB is enabled.</li> </ul>
Refresh Rate	Off		<ul style="list-style-type: none"> <li>This function is available only if your graphics card support G-Sync.</li> <li>This function is unavailable if the input source is HDMI.</li> <li>This function sets the location where Refresh Rate to be shown.</li> </ul>
	Left Top		
	Right Top		
	Left Bottom		
	Right Bottom		
Alarm Clock	Location	Left Top	<ul style="list-style-type: none"> <li>This function sets the Alarm Clock and the location where Alarm Clock to be shown.</li> </ul>
		Right Top	
		Left Bottom	
		Right Bottom	
	Off		
	15:00	00:00-99:59	
	30:00		
45:00			
Screen Assistance	None		<ul style="list-style-type: none"> <li>When Refresh Rate function is on, this function will be off automatically.</li> </ul>
			
Eye Saver	<input type="checkbox"/> (Off)		<ul style="list-style-type: none"> <li>Eye Saver protects your eyes against blue light. When enabled, Eye Saver adjusts the screen color temperature to a more yellow glow.</li> </ul>
	<input type="checkbox"/> (On)		

## ► Image

1st Level Menu	2nd/3rd Level Menu		Description
Brightness	0-100		<ul style="list-style-type: none"> <li>This function is available in Profile 1, Profile 2 and Standard modes.</li> </ul>
Contrast	0-100		<ul style="list-style-type: none"> <li>This function is available in Profile 1, Profile 2 and Standard modes.</li> </ul>
Adaptive Contrast	<input type="checkbox"/> (Off)		<ul style="list-style-type: none"> <li>This function can enhance the image contrast effect dynamically.</li> </ul>
	<input type="checkbox"/> (On)		
Color Temperature	Cool		<ul style="list-style-type: none"> <li>This function is available in Profile 1 and Profile 2 modes.</li> </ul>
	Normal		
	Warm		
	Customization	R (0-100)	
G (0-100)			
B (0-100)			

## ➤ Input Source

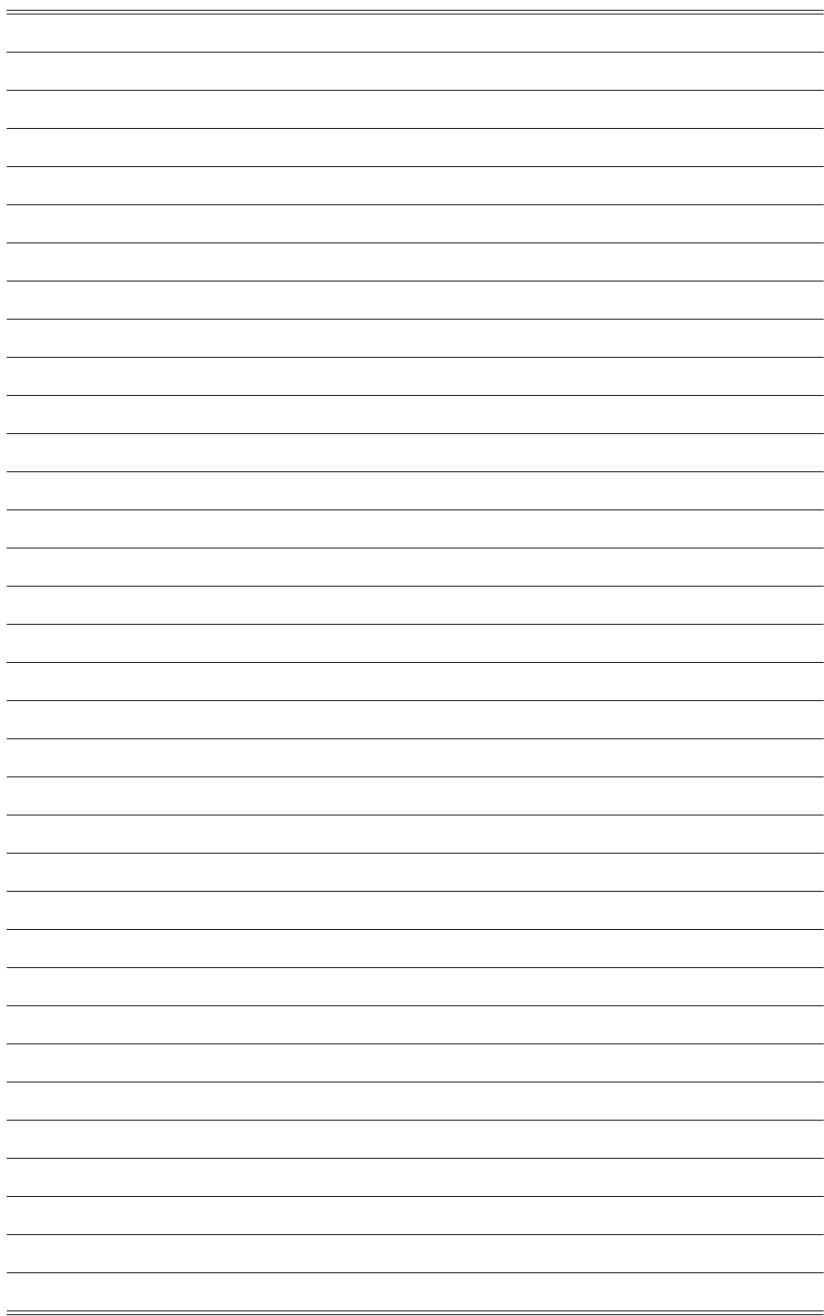
1st Level Menu	Description
DP	This function sets the input source.
HDMI	

## ➤ Navi Key

1st Level Menu	2nd Level Menu	Description
Up	Off	<ul style="list-style-type: none"> <li>■ This function allows users to set the default of each Navi Key.</li> </ul>
	Brightness	
	Gaming Mode	
	Screen Assistance	
	Alarm Clock	
	Input Source	
	Refresh Rate	
Down	Off	
	Brightness	
	Gaming Mode	
	Screen Assistance	
	Alarm Clock	
	Input Source	
	Refresh Rate	
Left	Off	
	Brightness	
	Gaming Mode	
	Screen Assistance	
	Alarm Clock	
	Input Source	
	Refresh Rate	
Right	Off	
	Brightness	
	Gaming Mode	
	Screen Assistance	
	Alarm Clock	
	Input Source	
	Refresh Rate	

## ► Setting

1st Level Menu	2nd Level Menu	Description
Language	繁體中文 English Français Deutsch Italiano Español 한국어 日本語 Русский Português 简体中文 ไทย Bahasa Indonesia हिन्दी Türkçe (More languages coming soon)	<ul style="list-style-type: none"> <li>When users set Reset to Yes, Language will not be changed.</li> </ul>
DP Deep Sleep	<input type="checkbox"/> (Off) <input checked="" type="checkbox"/> (On)	<ul style="list-style-type: none"> <li>This function sets DP into deep sleep mode.</li> </ul>
HDMI Deep Sleep	<input type="checkbox"/> (Off) <input checked="" type="checkbox"/> (On)	<ul style="list-style-type: none"> <li>This function sets HDMI into deep sleep mode.</li> </ul>
Transparency	0-5	<ul style="list-style-type: none"> <li>This function sets the transparency of the OSD.</li> </ul>
OSD Time Out	5-30	<ul style="list-style-type: none"> <li>This function sets the automatic power off function if no signal.</li> </ul>
RGB LED	<input type="checkbox"/> (Off) <input checked="" type="checkbox"/> (On)	<ul style="list-style-type: none"> <li>This function sets to turn on or off the RGB LED.</li> </ul>
Reset	YES NO	<ul style="list-style-type: none"> <li>This function can reset all values to default except language.</li> </ul>






# A

## Appendix

### IMPORTANT

*All information is subject to change without prior notice.*

# Specifications

Model	NXG251R 3EA35	NXG251R 3EA37	NXG252R 3EA36	NXG252R 3EA38
Size	24.5 inch			
Curvature	N/A			
Panel Type	TN			
Resolution	1920 x 1080 (FHD)			
Aspect Ratio	16:9			
Brightness (nits)	400			
Contrast Ratio	1000:1			
Refresh Rate	240Hz			
Response Time	1ms (OD)		0.5ms (OD)	
Input Interface	HDMI x1, DP x1			
I/O	USB 3.1 Gen 1 Type A x3 USB 3.1 Gen 1 Type B x1 (for PC to Monitor) Earphone x1			
View Angles	170°(H) , 160°(V)			
NTSC	72%			
Surface Treatment	Anti-glare			
Display Colors	16.7M			
Power Type	External Adapter			
Power Consumption (Typical)	65W			
Power Input	AC 100~240V, 50~60Hz, 1.5A			
Power Output	19V  3.42A			
Adjustment (Tilt)	-5° - 20°			
Adjustment (Swival)	N/A			
Adjustment (Height)	0 ~ 130mm			
Kensington Lock	Yes			
VESA Mounting	Plate Type: 100 x 100mm			
Dimension (W x D x H)	560.10 x 213.49 x 523.51	506.1 x 182.4 x 507	560.10 x 213.49 x 523.51	506.1 x 182.4 x 507
Net Weight	5.5 kg (12.13 lb)	6 kg (13.23 lb)	5.5 kg (12.13 lb)	6 kg (13.23 lb)
Environment	Operating	Temperature: 0°C to 40°C Humidity: 20% to 90%, non-condensing Altitude: 0 - 5000m		
	Storage	Temperature: -20°C to 60°C Humidity: 10% to 90%, non-condensing		

## Preset Display Modes

Resolution	Oculux NXG251R/ NXG252R	
	HDMI	DP
640x480 @60Hz	V	V
720x480 @60Hz	V	V
720x576 @50Hz	V	V
800x600 @60Hz	V	V
1024x768 @60Hz	V	V
1280x720 @50Hz	V	V
1280x720 @60Hz	V	V
1920x1080 @50Hz	V	V
1920x1080 @60Hz	V	V
1920x1080 @100Hz		V
1920x1080 @120Hz		V
1920x1080 @144Hz		V
1920x1080 @200Hz		V
1920x1080 @240Hz		V

# Troubleshooting

## The power LED is off.

- Press the monitor power button again.
- Check if the monitor power cable is properly connected.

## No image.

- Check if the computer graphics card is properly installed.
- Check if the computer and monitor are connected to electrical outlets and are turned on.
- Check if the monitor signal cable is properly connected.
- The computer may be in Standby mode. Press any key to activate the monitor.

## The screen image is not properly sized or centered.

Refer to Preset Display Modes to set the computer to a setting suitable for the monitor to display.

## No Plug & Play.

- Check if the monitor power cable is properly connected.
- Check if the monitor signal cable is properly connected.
- Check if the computer and graphics card are Plug & Play compatible.

## The icons, font or screen are fuzzy, blurry or have color problems.

- Avoid using any video extension cables.
- Adjust brightness and contrast.
- Adjust RGB color or tune color temperature.
- Check if the monitor signal cable is properly connected.
- Check for bent pins on the signal cable connector.

## The monitor starts flickering or shows waves.

- Change the refresh rate to match the capabilities of your monitor.
- Update your graphics card drivers.
- Keep the monitor away from electrical devices that may cause electromagnetic interference (EMI).