

Acer LCD Monitor

User Guide

Copyright © 2019. Acer Incorporated.
All Rights Reserved.

Acer LCD Monitor User Guide
Original Issue: 06/2019

Changes may be made periodically to the information in this publication without obligation to notify any person of such revisions or changes. Such changes will be incorporated in new editions of this manual or supplementary documents and publications. This company makes no representations or warranties, either expressed or implied, with respect to the contents hereof and specifically disclaims the implied warranties of merchantability or fitness for a particular purpose.

Record the model number, serial number, purchase date and place of purchase information in the space provided below. The serial number and model number are recorded on the label affixed to your computer. All correspondence concerning your unit should include the serial number, model number and purchase information.

No part of this publication may be reproduced, stored in a retrieval system, or transmitted, in any form or by any means, electronically, mechanically, by photocopy, recording or otherwise, without the prior written permission of Acer Incorporated.

Acer LCD Monitor User Guide

Model number: _____
Serial number: _____
Date of purchase: _____
Place of purchase: _____

Acer and the Acer logo are registered trademarks of Acer Incorporated. Other companies' product names or trademarks are used herein for identification purposes only and belong to their respective companies.

Information for your safety and comrt

Safety instructions

Read these instructions carefully. Keep this document for future reference. Follow all warnings and instructions marked on the product.

Special notes on LCD monitors

The following are normal with the LCD monitor and do not indicate a problem.

- Due to the nature of the fluorescent light, the screen may flicker during initial use. Turn off the power switch and then turn it on again to make sure the flicker disappears.
- You may find slightly uneven brightness on the screen depending on the desktop pattern you use.
- The LCD screen has 99.99% or more effective pixels. It may include blemishes of 0.01% or less such as a missing pixel or pixel lit all the time.
- Due to the nature of the LCD screen, an afterimage of the previous screen may remain after switching the image, when the same image is displayed for hours. In this case, the screen is recovered slowly by changing the image or turning off the power switch for a few hours.

Cleaning your monitor

Please carefully follow these guidelines when cleaning the monitor:

- Always unplug the monitor before cleaning.
- Use a soft cloth to wipe the screen and cabinet front and sides.

Accessibility

Be sure that the power outlet you plug the power cord into is easily accessible and located as close to the equipment operator as possible. When you need to disconnect power from the equipment, be sure to unplug the power cord from the electrical outlet.

Safe listening

To protect your hearing, follow these instructions.

- Gradually increase the volume until you can hear it clearly and comfortably and without distortion.
- After setting the volume level, do not increase it after your ears have adjusted.
- Limit the amount of time listening to music at high volume.
- Avoid turning up the volume to block out noisy surroundings.
- Turn the volume down if you can't hear people speaking near you.

Warnings

- Do not use this product near water.
- Do not place this product on an unstable cart, stand or table. If the product falls, it could be seriously damaged.
- Slots and openings are provided for ventilation to ensure reliable operation of the product

and to protect it from overheating. These openings must not be blocked or covered. The openings should never be blocked by placing the product on a bed, sofa, rug or other similar surface. This product should never be placed near or over a radiator or heat register, or in a built-in installation unless proper ventilation is provided.

- Never push objects of any kind into this product through cabinet slots as they may touch dangerous voltage points or short-out parts that could result in a fire or electric shock. Never spill liquid of any kind onto or into the product.
- To avoid damage of internal components and to prevent battery leakage, do not place the product on a vibrating surface.
- Never use it under sporting, exercising, or any vibrating environment which will probably cause unexpected short current or damage internal devices.
- The adapter is only used for this monitor, do not be used for other purposes.
- Your device uses one of the following power supplies:

Manufacture: DELTA: ADP-230EB T (19.5Vdc/230W)

Using electrical power

- This product should be operated from the type of power indicated on the marking label. If you are not sure of the type of power available, consult your dealer or local power company.
- Do not allow anything to rest on the power cord. Do not locate this product where people will walk on the cord.
- If an extension cord is used with this product, make sure that the total ampere rating of the equipment plugged into the extension cord does not exceed the extension cord ampere rating. Also, make sure that the total rating of all products plugged into the wall outlet does not exceed the fuse rating.
- Do not overload a power outlet, strip or receptacle by plugging in too many devices. The overall system load must not exceed 80% of the branch circuit rating. If power strips are used, the load should not exceed 80% of the power strip's input rating.
- This product's power cord is equipped with a three-wire grounded plug. The plug only fits in a grounded power outlet. Make sure the power outlet is properly grounded before inserting the power cord plug. Do not insert the plug into a non-grounded power outlet. Contact your electrician for details.

Warning!

The grounding pin is a safety feature. Using a power outlet that is not properly grounded may result in electric shock and/or injury.

Note:

The grounding pin also provides good protection from unexpected noise produced by other nearby electrical devices that may interfere with the performance of this product.

- Use the product only with the supplied power supply cord set. If you need to replace the power cord set, make sure that the new power cord meets the following requirements: detachable type, UL listed/CSA certified, type SPT-2, rated 7 A 125 V minimum, VDE approved or its equivalent, 4.6 meters (15 feet) maximum length.

Product servicing

Do not attempt to service this product yourself, as opening or removing covers may expose you to dangerous voltage points or other risks. Refer all servicing to qualified

service personnel.

Unplug this product from the wall outlet and refer servicing to qualified service personnel when:

- the power cord or plug is damaged, cut or frayed
- liquid was spilled into the product
- the product was exposed to rain or water
- the product has been dropped or the case has been damaged
- the product exhibits a distinct change in performance, indicating a need for service
- the product does not operate normally after following the operating instructions

Note:

Adjust only those controls that are covered by the operating instructions, since improper adjustment of other controls may result in damage and will often require extensive work by a qualified technician to restore the product to normal condition.

Potentially explosive environments

Switch off your device in any area with a potentially explosive atmosphere and obey all signs and instructions. Potentially explosive atmospheres include areas where you would normally be advised to turn off your vehicle engine. Sparks in such areas could cause an explosion or fire resulting in bodily injury or even death. Switch off the device near depots, storage and distribution areas; chemical plants; or where blasting operations are in progress. Areas with a potentially explosive atmosphere are often, but not always, marked. They include below deck on boats, chemical transfer or storage facilities, vehicles using liquefied petroleum gas (such as propane or butane), and areas where the air contains chemicals or particles such as grain, dust or metal powders.

Additional safety information

Your device and its enhancements may contain small parts. Keep them out of the reach of small children.

IT Equipment Recycling Information

Acer is strongly committed to environmental protection and views recycling, in the form of salvaging and disposal of used equipment, as one of the company's top priorities in minimizing the burden placed on the environment.

We at Acer are very conscious of the environmental effects of our business and strive to identify and provide the best working procedures to reduce the environmental impact of our products.

For more information and help when recycling, please go to this website:

<http://www.acer-group.com/public/Sustainability/sustainability01.htm>

Visit www.acer-group.com for further information on the features and benefits of our other products.

Disposal instructions



Do not throw this electronic device into the trash when discarding. To minimize pollution and ensure utmost protection of the global environment, please

recycle. For more information on the Waste from Electrical and Electronics Equipment (WEEE) regulations, visit <http://www.acer-group.com/public/Sustainability/sustainability01.htm>

LCD pixel statement

The LCD unit is produced with high-precision manufacturing techniques. Nevertheless, some pixels may occasionally misfire or appear as black or red dots. This has no effect on the recorded image and does not constitute a malfunction.

Power management statement should be as below.

- Activate display's Sleep mode within 15 minutes of user inactivity.
- Wake the monitor when it is in Active Off mode, move the mouse or press any keyboard key.

Tips and information for comfortable use

Computer users may complain of eyestrain and headaches after prolonged use. Users are also at risk of physical injury after long hours of working in front of a computer. Long work periods, bad posture, poor work habits, stress, inadequate working conditions, personal health and other factors greatly increase the risk of physical injury.

Incorrect computer usage may lead to carpal tunnel syndrome, tendonitis, tenosynovitis or other musculoskeletal disorders. The following symptoms may appear in the hands, wrists, arms, shoulders, neck or back:

- numbness, or a burning or tingling sensation
- aching, soreness or tenderness
- pain, swelling or throbbing
- stiffness or tightness
- coldness or weakness

If you have these symptoms, or any other recurring or persistent discomfort and/or pain related to computer use, consult a physician immediately and inform your company's health and safety department.

The following section provides tips for more comfortable computer use.

Finding your comfort zone

Find your comfort zone by adjusting the viewing angle of the monitor, using a footrest, or raising your sitting height to achieve maximum comfort. Observe the following tips:

- refrain from staying too long in one fixed posture
- avoid slouching forward and/or leaning backward
- stand up and walk around regularly to remove the strain on your leg muscles

Taking care of your vision

Long viewing hours, wearing incorrect glasses or contact lenses, glare, excessive room lighting, poorly focused screens, very small typefaces and low-contrast displays could stress your eyes. The following sections provide suggestions on how to reduce

eyestrain.

Eyes

- Rest your eyes frequently.
- Give your eyes regular breaks by looking away from the monitor and focusing on a distant point.
- Blink frequently to keep your eyes from drying out.

Display

- Keep your display clean.
- Keep your head at a higher level than the top edge of the display so your eyes point downward when looking at the middle of the display.
- Adjust the display brightness and/or contrast to a comfortable level for enhanced text readability and graphics clarity.
- Eliminate glare and reflections by:
 - placing your display in such a way that the side faces the window or any light source
 - minimizing room light by using drapes, shades or blinds
 - using a task light
 - changing the display's viewing angle
 - using a glare-reduction filter
 - using a display visor, such as a piece of cardboard extended from the display's top front edge
- Avoid adjusting your display to an awkward viewing angle.
- Avoid looking at bright light sources, such as open windows, for extended periods of time.

Developing good work habits

Develop the following work habits to make your computer use more relaxing and productive:

- Take short breaks regularly and often.
- Perform some stretching exercises.
- Breathe fresh air as often as possible.
- Exercise regularly and maintain a healthy body.



Acer Incorporated
 8F, 88, Sec. 1, Xintai 5th Rd., Xizhi
 New Taipei City 221, Taiwan

Declaration of Conformity

We,

Acer Incorporated

8F, 88, Sec. 1, Xintai 5th Rd., Xizhi, New Taipei City 221, Taiwan

And,

Acer Italy s.r.l.

Via Lepetit, 40, 20020 Lainate (MI) Italy

Tel: +39-02-939-921 ,Fax: +39-02 9399-2913

www.acer.it

Product:	LCD Monitor
Trade Name:	Acer
Model Number:	CP7271K
SKU Number:	CP7271K xxxxxx;
	("x" = 0~9, a ~ z, A ~ Z, or blank)

We, Acer Incorporated, hereby declare under our sole responsibility that the product described above is in conformity with the relevant Union harmonization legislations as below Directive and following harmonized standards and/or other relevant standards have been applied:

EMC Directive: 2014/30/EU

<input checked="" type="checkbox"/> EN 55032:2012/AC:2013 Class B	<input checked="" type="checkbox"/> EN 55024:2010
<input checked="" type="checkbox"/> EN 55032:2015/AC:2016 Class B	<input checked="" type="checkbox"/> EN 61000-3-3:2013
<input checked="" type="checkbox"/> EN 61000-3-2:2014 Class D	

LVD Directive: 2014/35/EU

<input checked="" type="checkbox"/> EN 60950-1:2006/A11:2009/A1:2010/A12:2011/A2:2013

RoHS Directive: 2011/65/EU

<input checked="" type="checkbox"/> EN 50581:2012

ErP Directive: 2009/125/EC

<input checked="" type="checkbox"/> Regulation (EC) No. 1275/ 2008; EN 50564:2011

Year to begin affixing CE marking: 2019.

RU Jan / Sr. Manager
Acer Incorporated (Taipei, Taiwan)

Jun.30,2019

Date



Acer America Corporation
333 West San Carlos St., San Jose
Suite 1500
CA 95110, U. S. A.
Tel : 254-298-4000
Fax : 254-298-4147
www.acer.com



Federal Communications Commission Supplier's Declaration of Conformity

This device complies with Part 15 of the FCC Rules. Operation is subject to the following two conditions: (1) this device may not cause harmful interference, and (2) this device must accept any interference received, including interference that may cause undesired operation.

The following local Manufacturer /Importer is responsible for this declaration:

Product:	LCD Monitor
Model Number:	CP7271K
SKU Number:	CP7271K xxxxxx ("x" = 0~9, a ~ z, or A ~ Z)
Name of Responsible Party:	Acer America Corporation
Address of Responsible Party:	333 West San Carlos St. Suite 1500 San Jose, CA 95110 U. S. A.
Contact Person:	Acer Representative
Phone No.:	254-298-4000
Fax No.:	254-298-4147

Table of Contents

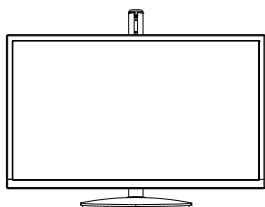
Information for your safety and comrt	ii
Safety instructions.....	ii
Special notes on LCD monitors	ii
Cleaning your monitor	ii
Accessibility	ii
Safe listening	ii
Warnings	ii
Using electrical power	iii
Product servicing	iii
Potentially explosive environments	iv
Additional safety information.....	iv
IT Equipment Recycling Information	iv
Disposal instructions	iv
LCD pixel statement.....	v
Tips and information for comfortable use.....	v
Finding your comfort zone.....	v
Taking care of your vision.....	v
Developing good work habits	vi
Unpacking	1
Adjusting the monitor	2
Height Adjustment.....	2
Tilt	2
Swivel.....	3
Monitor Pivot.....	3
Monitor shading hood installation	4
Monitor introduction	6
Connecting the cables	7
Connecting the adapter and AC Power cord.....	8
Power saving	8
Display Data Channel (DDC).....	9
Standard timing table	11
Using the Shortcut Menu	12
Main page	12
Hot key1 (default: Modes)	12
Hot key2 (default: Brightness).....	12

Hot key3 (Selecting the input)	13
Main Menu.....	13
Troubleshooting	19

Unpacking

Please check that the following items are present when you unpack the box, and save the packing materials in case you need to ship or transport the monitor in the future.

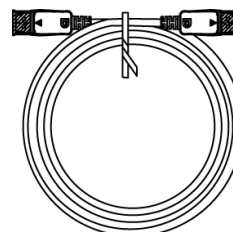
LCD monitor



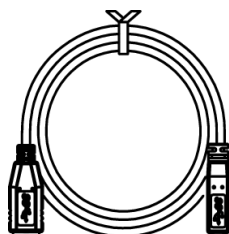
Quick start guide



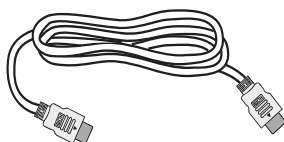
DP Cable
(Optional)



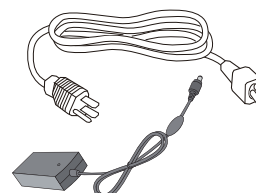
USB cable
(Optional)



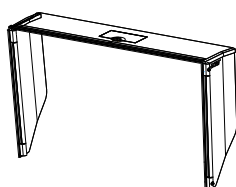
HDMI cable
(Optional)



AC Power cord



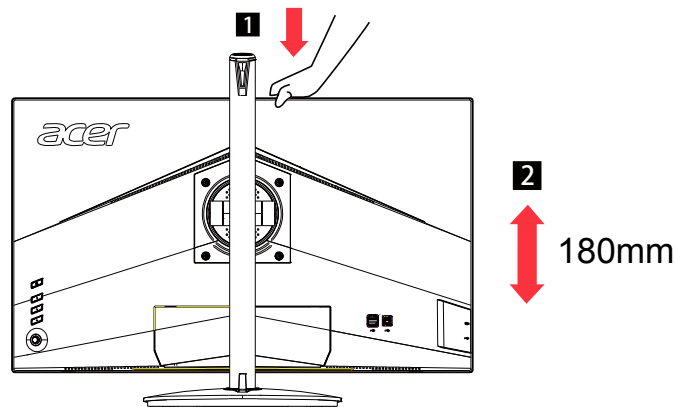
Shading Hood Packet



Adjusting the monitor

- For optimal viewing, we recommend that you look at the full face of the monitor, then adjust the monitor to the angle that is most comfortable for you.
- Hold the stand to prevent the monitor from falling when you change its angle.
- You can adjust the monitor's angle from +35° to -5° only at the highest position, and it allows 360° swivel adjustment from either left or right. You can also adjust the monitor's height within +/- 180 mm.

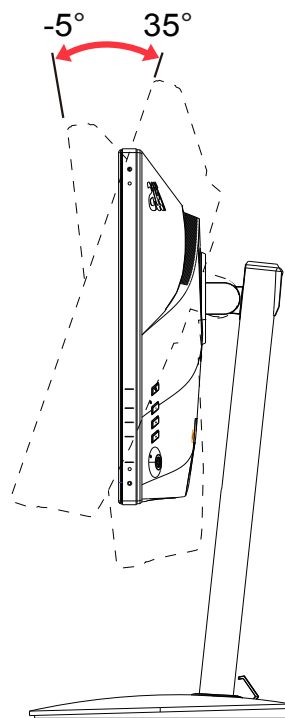
Height Adjustment



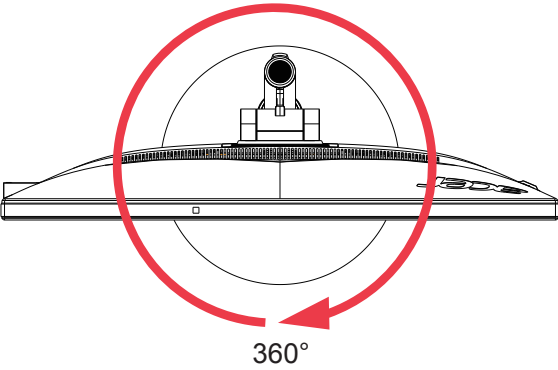
Note:

Please adjust the height of the monitor after pressing the top of the monitor.

Tilt

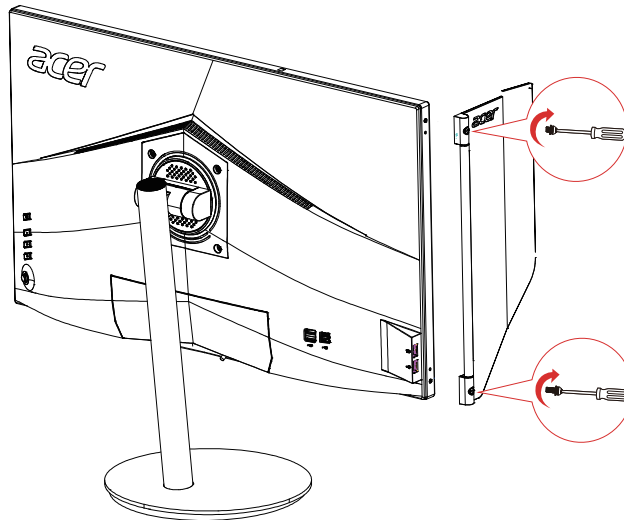


Swivel

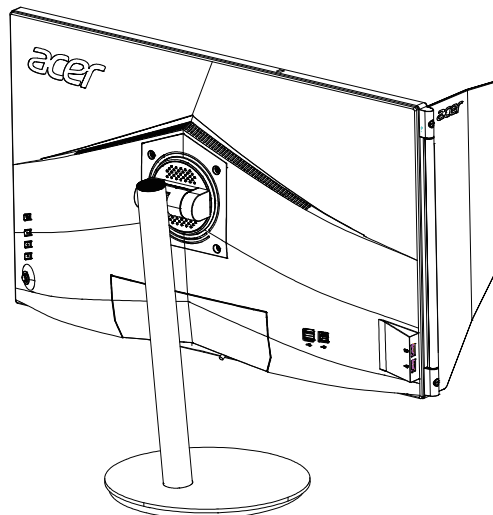


Monitor shading hood installation

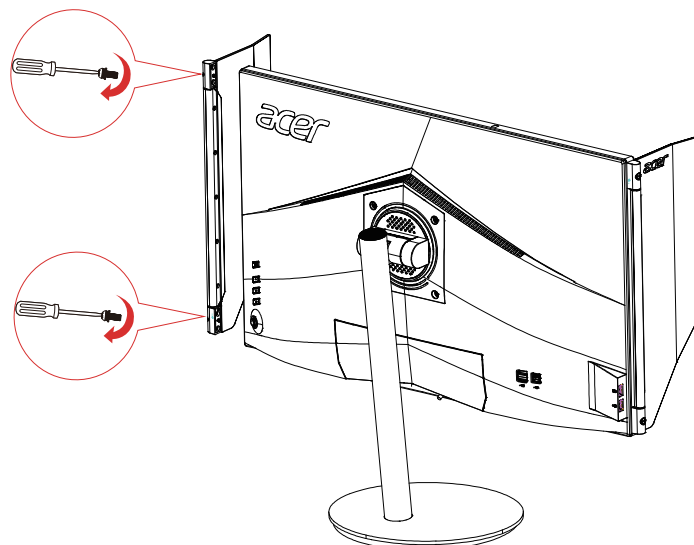
1. Align the screw holes on the side of monitor.



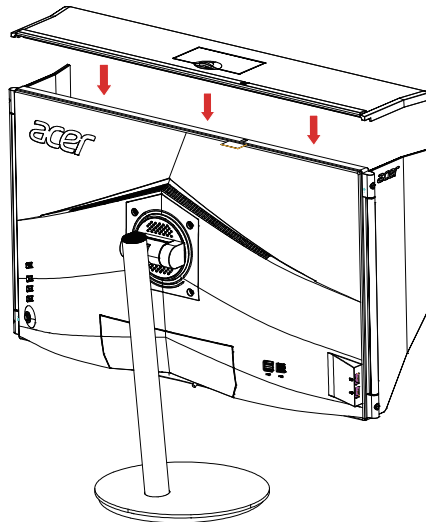
2. Use screwdriver or coin to fasten screw and fix door on the head.



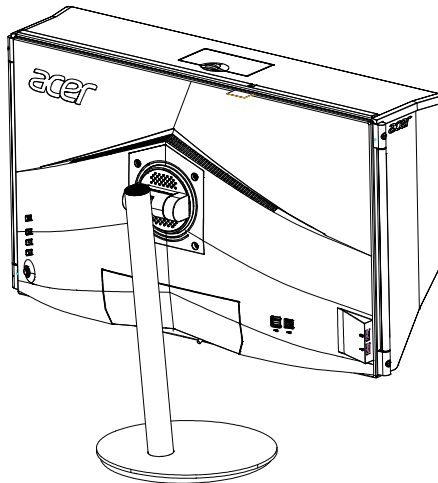
3. Repeat the same process to fix door on the other side.



4. Put down top shield and fix on the head.



5. Shading hood installation complete.



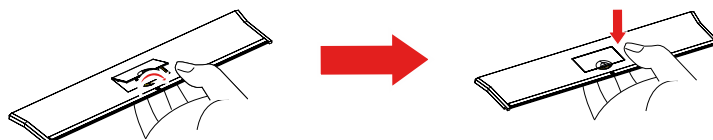
* How to open top small door

1. Use fingers to push up under cover.
2. Slide small door to the end as shown in the direction of the picture.



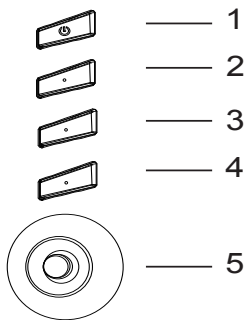
* How to close top small door

1. Slide small door back to the end.
2. Push down to lock the door.







Monitor introduction

User Controls



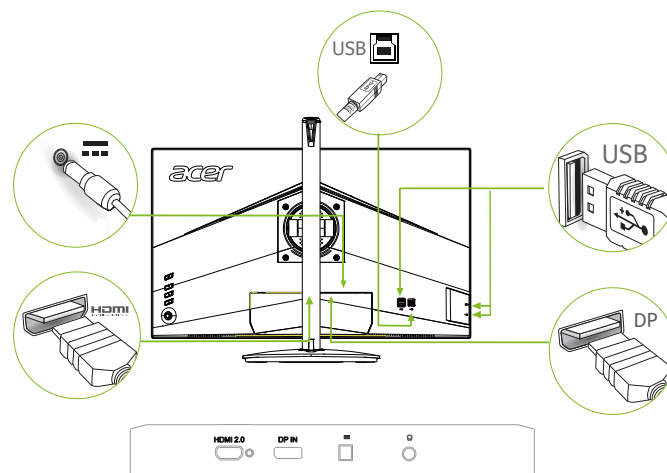
External controls

1	Power button	Turns the monitor on/off. Amber indicates power on. Blinking amber indicates standby/ power saving mode.
2	Function key 	a. Press to view Main page. Press again to enter hotkey1 function. b. When the Function Menu is active, press this key to view the basic information for your monitor and current input or reset the custom color settings to the factory defaults.
3	Function key 	a. Press to view Main page. Press again to enter hotkey2 function. b. When the Function Menu is active, press this button to select scenario mode or game mode .
4	Function key 	a. Press to view Main page. Press again to enter Input select function. b. When the Function Menu is active, this button will quit the OSD.
5	Function key 	a. Press to view Main page. Press again to enter next function in the Function Menu. b. The single toggle button on the backside of the Display bezel operates like a joystick. To move the cursor, simply toggle the button in four directions. Press the button to select desired option. Bright gray indicates operable. Dark gray indicates inoperable.

Connecting the cables

To install the monitor on your host system, please follow the steps below:

1. Turn off your computer and unplug your computer's power cord.
2. Connect the signal cable to the DP (optional) and/or HDMI (optional) input socket of the monitor, and the DP (optional) and/or HDMI (optional) output socket of the graphics card on the computer.
3. Connect the USB Cable(Optional)
Connect the USB 3.0 cable to port for fast charge.
Connect the USB 3.0 cable to port.
4. Insert the monitor power cable into the power port at the back of the monitor.
5. Plug the power cords of your computer and your monitor into a nearby electrical outlet.



Note:

- Audio output is only for audio output model. Please check user manual for more instruction.
- Charging USB devices just in DC on mode.

Connecting the adapter and AC Power cord

- Check first to make sure that the power cord you use is the correct type required for your area.
- The monitor has a universal power supply that allows operation in either 100/120 V AC or 220/240 V AC voltage area. No user-adjustment is required.
- Plug one end of the AC power cord to the Adapter, and plug the other end into an AC outlet.
- For units using 120 V AC:
 - Use a UL-listed cord set, type SVT wire and plug rated 10 A/125 V.
- For units using 220/240 V AC:
 - Use a cord set consisting of H05VV-F cord and plug rated 10 A/250 V. The cord set should have the appropriate safety approvals for the country in which the equipment will be installed.

Power saving

The monitor will be driven into "Power Saving" mode by the control signal from the display controller, as indicated by the Blinking amber -color power LED.

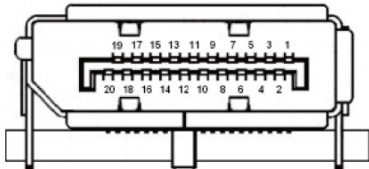
State	LED Light
ON	Amber
Power Saving Mode	Blinking amber

The power saving states will be kept until a control signal has been detected or the keyboard or mouse is activated. The recovery time from Active OFF state back to ON state is around 3 seconds.

Display Data Channel (DDC)

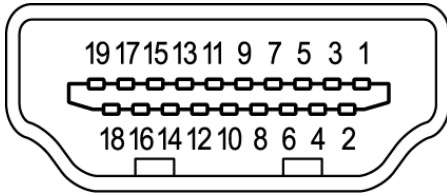
To make installation easier, so long as your system supports the DDC protocol, the monitor is able to plug-and-play. The DDC is a communication protocol through which the monitor automatically informs the host system about its capabilities; for example, supported resolutions and corresponding timing. The monitor supports the DDC2B standard.

20-pin color display signal cable



PIN No.	Description	PIN No.	Description
1	ML_Lane 0+	2	GND
3	ML_Lane 0-	4	ML_Lane 1+
5	GND	6	ML_Lane 1-
7	ML_Lane 2+	8	GND
9	ML_Lane 2-	10	ML_Lane 3+
11	GND	12	ML_Lane 3-
13	KONFIG1	14	CONFIG2
15	AUX CH+	16	GND
17	AUX CH-	18	Hot Plug
19	Return	20	DP_PWR

19-pin color display signal cable



PIN No.	Description	PIN No.	Description
1	TMDS Data2+	2	TMDS Data2 Shield
3	TMDS Data2-	4	TMDS Data1+
5	TMDS Data1 Shield	6	TMDS Data1-
7	TMDS Data0+	8	TMDS Data0 Shield
9	TMDS Data0-	10	TMDS Clock+
11	TMDS Clock Shield	12	TMDS Clock-
13	CEC	14	Reserved (N.C. on device)
15	SCL	16	SDA
17	DDC/CEC Ground	18	+5V Power
19	Hot Plug Detect		

Standard timing table

VESA MODE			
MODE	Resolution		
1	VGA	640x480	60Hz
2	SVGA	800x600	60Hz
3	XGA	1024x768	60Hz
4	SXGA	1280x1024	60Hz
5	VESA	1280x720	60Hz
6	WXGA	1280x800	60Hz
7	WXGA+	1680x1050	60Hz
8	UXGA	1920x1080	60Hz
9	UXGA*	2560x1440	60Hz
10	UHD	3840x2160	60Hz
11	UHD	3840x2160	100Hz
12	UHD	3840x2160	120Hz
13	UHD	3840x2160	144Hz

Note:

Item 1,2,3,10 is standard timing table.

Item 4,5,6,7,8,9 is PC graphic card generate timing.

Item 11,12,13 is DP timing only.

Item 13 is over clock timing.

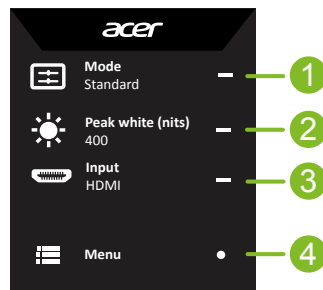
Using the Shortcut Menu

Note:

The following content is for general reference only. Actual product specifications may vary.

The OSD (on screen display) can be used to adjust the settings of your LCD monitor. Press the key to open the OSD. You can use the OSD to adjust the picture quality, OSD position and general settings. For advanced settings, please refer to following page:

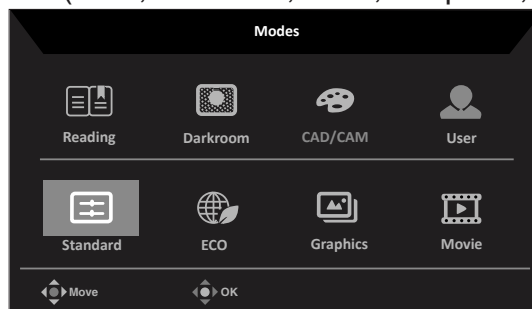
Main page



1. Hot Key1
Modes, Brightness, Volume, Gamma, Contrast, Blue Light, Over Drive
2. Hot Key2
Modes, Brightness, Contrast, Volume, Gamma, Blue Light, Over Drive
3. Hot Key3
Input Switch Hot Key
4. Main Menu

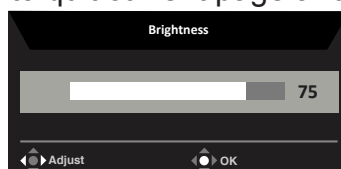
Hot key1 (default: Modes)

To choose scenario mode (Reading, DarkRoom, CAD/CAM) which user-defined profile to use or scenario mode (User, Standard, ECO, Graphics, Movie)



Hot key2 (default: Brightness)

Open the Brightness control and select your preferred brightness setting. When you are done, press the joystick to quit current page and store.












Hot key3 (Selecting the input)

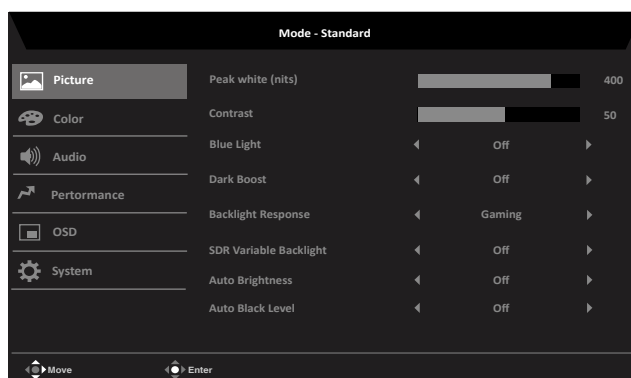
Open the Input control and select HDMI1 (2.0), DP IN or Auto Source. When you are done, press the joystick to exit current page and store.



Main Menu

- » Press the **MENU** key to open the OSD.
- » Toggle the joystick  to the up  or down  to select Picture from the OSD. Then toggle to the right to navigate to the element you wish to adjust and press the joystick to enter it.
- » Toggle the joystick  to the left  or right  to adjust the sliding scales.
- » Information Hot Key  : Show Monitor Information and Reset control function.
- » Modes Hot Key  : To change Modes Hot Key menu.
- » Exit Hot Key  to exit current page and store.

Picture



- **Brightness:** Adjust the brightness from 20 to 400.
Note: Adjusts the balance between light and dark shades.
- **Contrast:** Adjust the contrast from 0 to 100.
Note: Sets the degree of difference between light and dark areas.
- **Blue Light:** Filters out blue light to protect your eyes by adjusting how much blue light is shown -- Off, 80%, 70%, 60%, or 50%.
Note: Higher values allow more blue light through. For the best protection select a lower value.
When "Blue Light" is on, Brightness & Contrast will show each level of "Blue Light" value.
- **Dark Boost:** Adjust the Dark Boost from off to level3. Enhances shadows by increasing the brightness without changing lighter shades. Note: If the image is very bright or has few shadow.
Note: If the image is very bright or has few shadow areas, adjusting this setting may not result in any noticeable changes to the image.
- **Backlight Response:**
nVIDIA function.
This sets the basic response time to the variable backlight
- **SDR Variable Backlight:**

nVIDIA function.

This sets the backlight mode that is used in SDR mode

- **Auto Brightness:**

nVIDIA function.

Display maximum luminance control (automatic brightness control)

Off: Use fixed value.

On: Use automatic value guided by light sensor.

Default is: On

- **Auto Black Level:**

nVIDIA function.

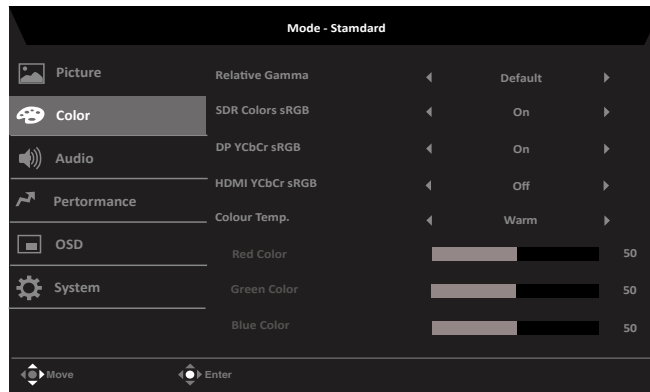
Display minimum luminance control (automatic blacklevel control)

Off: Use fixed value.

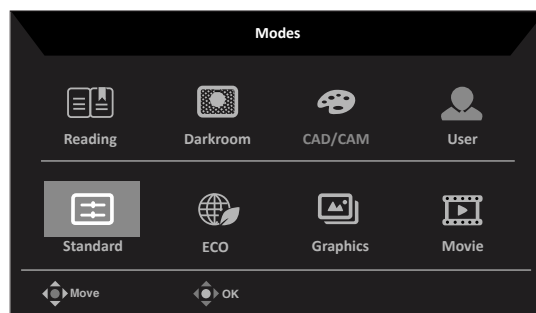
On: Use automatic value guided by light sensor.

Default is: Off

Color

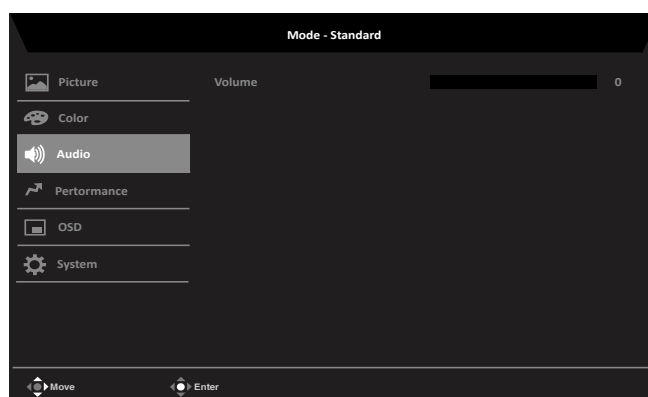


- **Relative Gamma:** nVIDIA function. Only enable on SDR mode.
- **SDR Colors sRGB:**
nVIDIA function
Only enable on SDR mode.
Off: Disable color space sRGB
ON: Enable color space sRGB
Windows systems require sRGB. (on)
Mac systems require the Wide Gamut mode (off)
- **DP YCbCr sRGB:**
nVIDIA function
Gamma curve selection for YCbCr formats on DP input in SDR mode; get/set methods (returns 0 or 1):
When enabled (default), the DP input will use sRGB gamma to display YCbCr inputs.
When disabled, the DP input will use BT1886 gamma to display YCbCr inputs.
Default is: TRUE
- **HDMI YCbCr sRGB:**
nVIDIA function
Gamma curve selection for YCbCr formats on HDMI input in SDR mode; get/set methods (returns 0 or 1):
When enabled, the HDMI input will use sRGB gamma to display YCbCr inputs.
When disabled (default), the HDMI input will use BT1886 gamma to display YCbCr inputs.
Default is: FALSE
- **Color temperature:** You can choose color temperature as **Warm, Normal, Cool, Bluelight** or **User**.
Warm: Increases the color temperature. The screen appears warmer with a red/yellow tint. This is the default preset mode.
Normal: Loads the monitor's normal color settings.
Cool: Decreases the color temperature. The screen appears cooler with a blue tint.
Bluelight: Decreases the level of blue light emitted from the screen to make viewing more comfortable for your eyes.
User: Allows you to manually adjust the color settings.
- **Modes:** Open Modes Hot Key Menu. Detail rules please refer Modes Spec.



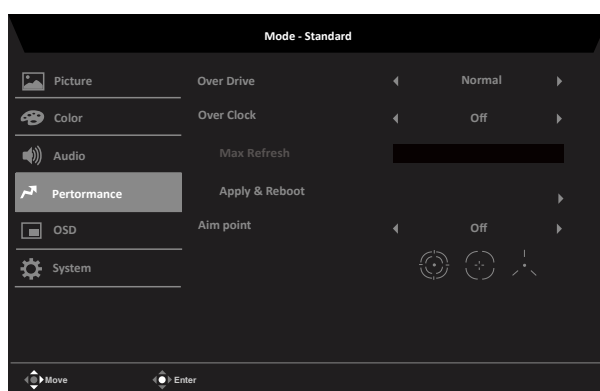
- User:** Applies a combination of picture settings defined by users.
- Standard:** For basic PC application (Default Setting).
- ECO:** For saving electricity with low power consumption by providing minimum brightness for all running programs.
- Graphics:** For better color matching representation with the graphics.
- Movie:** For better color matching representation with the movie.

Audio



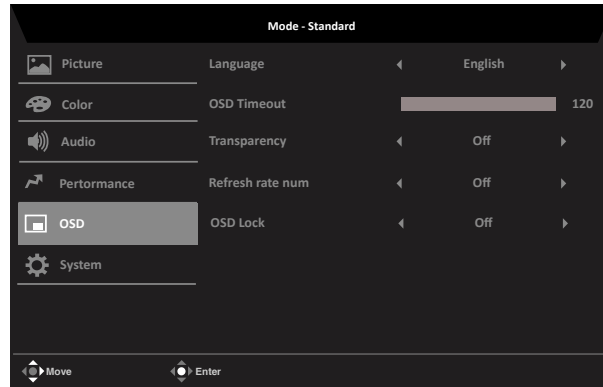
- **Volume:** Adjust the volume.
- **Mute:** Toggles the monitor sound between on and off. The default is off.

Performance



- **Over Drive:** Select Off, Normal, or Extreme.
- **Over Clock:** V frequency over clocking control options.
Enable: Default is "Off"
Max Refresh: V frequency just can select:144Hz
Apply & Reboot
- **Aim point:** Show an Aim point on the screen for shooting games.

OSD



- **Language:** Set the OSD menu language.
- **OSD timeout:** Adjust the delay before turning off the OSD menu.
- **Transparency:** Select the transparency when using gaming mode. The transparency can be 0% (OFF), 20%, 40%, 60%, or 80%.
- **Refresh Rate Num:** Display the panel's current refresh rate on the screen.
Note: If FreeSync set "On" you can see the V Frequency to changes in the OSD.
- **OSD Lock:** To choose OSD lock On/Off.

Note:

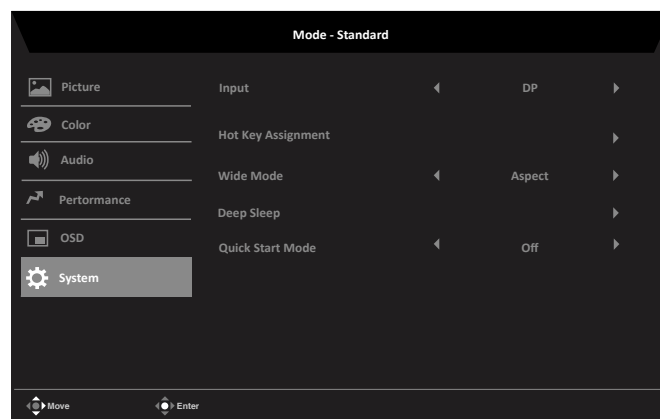
OSD Locked:

- Set the OSD Lock to "On" by the OSD option and press "Enter" to execute the All Key lock function.
- The "OSD Locked" message will be displayed in the middle of the screen.
- LED lights will be changed from blue light to orange light.
- Press any Key screen to prompt "OSD Locked" message.

OSD Unlocked:

- In normal display condition to press the "Navi Key" in the middle of more than 3 seconds to trigger "OSD Unlock".
- The "OSD Unlock" message will be displayed in the middle of the screen.
- LED lights will be restored to blue light.

System



- **Input:** Select the source from HDMI and DP.
- **Wide Mode:** You can select which screen aspect you are using. The options are Aspect, and 1:1.
- **Hotkey Assigment:** Select the function of shortcut key 1(Modes, Brightness, Contrast,

Blue Light, Volume, Over Drive, Relative Gamma) and shortcut keys 2 (Modes, Brightness, Contrast, Blue Light, Volume, Over Drive, Relative Gamma)

Note: Hot Key 1 and Hot Key 2 can't repeat the same function.

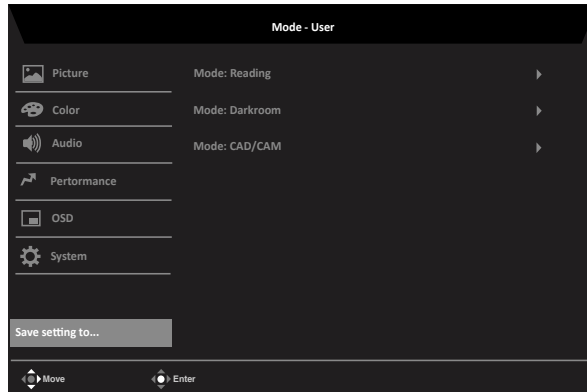
- **Deep Sleep:** nVIDIA function.

When Deep sleep is set to on and no signal, the monitor will go to sleep mode after 15 minutes,

When Deep sleep is set to off and no signal, the monitor will not go to sleep mode.

- **Quick start mode:** Select Off or On. Turn on to speed up boot speed.

Save Setting to...(User mode only)



- Press the MENU key to open the OSD.
- Toggle the joystick to the up or down to select "Save Setting to..." from the OSD. Then toggle to the right to navigate to the element you wish to adjust and press the joystick to enter it.
- Save Setting to Game mode: There are three user-defined profiles available. When you have decided what settings suit you, save them and system will be able to recall the settings in the future when you turn on gaming mode .
- Use a PC with at least 16 GB of memory and a 'decent' CPU (> 3 GHz i5 or i7)
- Install Windows 10 64b
other version of Windows are not supported by the provided HDR driver !
- Install a NVIDIA Pascal graphics card. Recommended GTX1080. Minimum GTX1070.
- OSD menu do "overclock" to 144Hz, then reboot the monitor.
- First thing to check the resolution is 3480 x 2160 @ 144Hz , Output color format is Ycbcr4:2:2 , Output color path : 10 bit
- PC OS "HDR" button select to enable.

Troubleshooting

Before sending your LCD monitor for servicing, please check the troubleshooting list below to see if you can self-diagnose the problem.

HDMI/DP Mode (Optional)

Problem	LED status	Remedy
No picture visible	Amber	Using the OSD menu, adjust brightness and contrast to maximum or reset to their default setting.
	Off	Check the power switch. Check if the AC power cord is properly connected to the monitor.
	Blinking amber	Check if the video signal cable is properly connected at the back of monitor. Check if the computer system is switched on and in power saving/standby mode.

Note: Acer monitor is purposed for video and visual display of information obtained from electronic devices.

Regulatory Compliance

