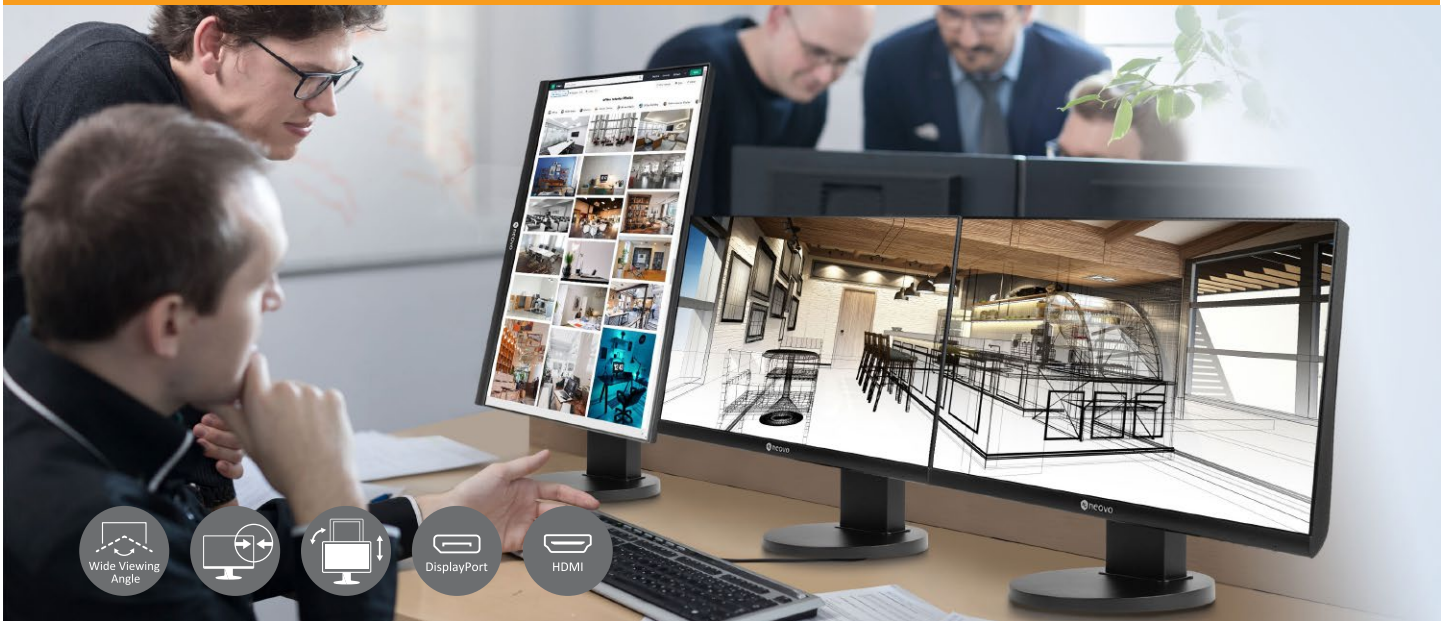


FS-Series LCD Monitor 24" | 27"



Borderless Displays With Ergonomic Stand for Seamless Multi-monitor Setup

The FS-Series 3-sided narrow bezel monitors for home, office, and workplace are designed for multi-display setups. A fully adjustable ergonomic stand with VESA mount provides unlimited installation options. Full HD screen resolution and 20,000,000:1 dynamic contrast ratio provide exceptional viewing clarity, while built-in blue-light filter and flicker-free display technologies increase eye comfort. The FS-Series also support DisplayPort, HDMI and VGA input options, making swift workstation setup and providing an immersive multimedia experience.



FS-27G



FS-27G / FS-24G



FS-27G



FS-24G



FS-27G



178°

178°

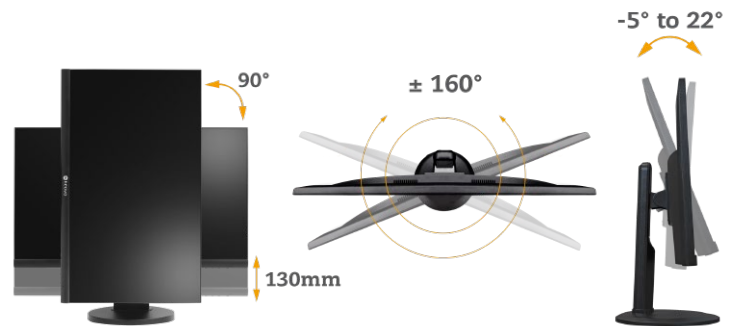
Wide Viewing Angle

3-sided Narrow Bezel and Wide Viewing Angle

The 3-sided narrow bezel design broadens the screen space; it also allows for easy setup of multiple monitors with a reduced bezel gap, making users to enjoy an expansive viewing experience, meanwhile, enhancing productivity at work. And the wide viewing angle of 178/178 degrees offers true colour accuracy for viewing from almost any angle to the screen.

Highly Adjustable Stand

The height-adjustable stand allows effortless adjustment in any direction, including screen orientation, to attain the perfect workstation setup. Tilt, swivel, and height all offer ample flexibility and room to suit unique requirements. Switching from portrait to landscape is just an easy twist, with a pivot designed just for that purpose.



FS-27G



LOW BLUE LIGHT

Eye Comfort

Eye comfort figures high on the list of strengths that define the FS-Series. The flicker-free backlight and blue light filter of the FS-Series ensure a comfortable viewing experience by reducing eyestrain after long periods of use.

Features

- Full HD 1920 x 1080 resolution
- Crisp 20,000,000 dynamic contrast ratio
- 3-sided narrow bezel design for seamless multi-display setups
- Versatile connectivity: DisplayPort, HDMI, VGA
- Blue-light filter and Flicker-free display technology reduces eye discomfort
- VESA mount compatibility for flexible installation
- Height adjustable stand allows users to tilt, pivot and swivel

Specifications

FS-24G

FS-27G

Panel

| | | |
|---------------------|-------------------------------------|--------------------------------------|
| Panel Type | LED-Backlit TFT LCD (VA Technology) | LED-Backlit TFT LCD (IPS Technology) |
| Panel Size | 23.8" | 27.0" |
| Max. Resolution | FHD 1920 x 1080 | FHD 1920 x 1080 |
| Pixel Pitch | 0.275 mm | 0.314 mm |
| Brightness | 250 cd/m ² | 250 cd/m ² |
| Contrast Ratio | 20,000,000:1 (DCR) | 20,000,000:1 (DCR) |
| Viewing Angle (H/V) | 178°/178° | 178°/178° |
| Display Colour | 16.7M | 16.7M |
| Response Time | 5 ms | 5 ms |

Frequency

| | | |
|---------------|---------------|---------------|
| Frequency (H) | 30 kHz-83 KHz | 30 kHz-83 KHz |
| Frequency (V) | 50 Hz-75 Hz | 50 Hz-75 Hz |

Signal Input

| | | |
|-------------|------------------|------------------|
| DisplayPort | x 1 | x 1 |
| HDMI | 1.3 x 1 | 1.3 x 1 |
| VGA | 15-Pin D-Sub x 1 | 15-Pin D-Sub x 1 |

Audio

| | | |
|-------------------|----------------------------|----------------------------|
| Audio In | Stereo Audio Jack (3.5 mm) | Stereo Audio Jack (3.5 mm) |
| Audio Out | Stereo Audio Jack (3.5 mm) | Stereo Audio Jack (3.5 mm) |
| Internal Speakers | 2W x 2 | 2W x 2 |

Power

| | | |
|--------------------|-----------------------|-----------------------|
| Power Supply | Internal | Internal |
| Power Requirements | AC 100-240V, 50/60 Hz | AC 100-240V, 50/60 Hz |
| On Mode | 19W (On) | 17W (On) |
| Stand-by Mode | < 0.5W | < 0.5W |
| Off Mode | < 0.3W | < 0.3W |

Operating Conditions

| | | |
|-------------|--------------------------|--------------------------|
| Temperature | 0°C-40°C (32°F-104°F) | 0°C-40°C (32°F-104°F) |
| Humidity | 10%-85% (non-condensing) | 10%-85% (non-condensing) |

Storage Conditions

| | | |
|-------------|---------------------------|---------------------------|
| Temperature | -20°C - 60°C (-4°F-140°F) | -20°C - 60°C (-4°F-140°F) |
| Humidity | 5%-85% (non-condensing) | 5%-85% (non-condensing) |

Mounting

| | | |
|--------------|--------------------|--------------------|
| VESA FPM/PMI | Yes (100 x 100 mm) | Yes (100 x 100 mm) |
|--------------|--------------------|--------------------|

Stand

| | | |
|-------------------|------------|------------|
| Tilt | -5° to 20° | -5° to 22° |
| Pivot | 0° to 90° | 0° to 90° |
| Swivel | ± 160° | ± 160° |
| Height Adjustment | 0-100 mm | 0-130 mm |

Security

| | | |
|--------------------------|-----|-----|
| Kensington Security Slot | Yes | Yes |
|--------------------------|-----|-----|

Dimensions

| | | |
|-------------------------------|---|---|
| Product with Base (W x H x D) | 540.0 x 515.9 x 204.3 mm (21.3" x 20.3" x 8.0") | 613.8 x 563.3 x 244.6 mm (24.2" x 22.2" x 9.6") |
| Product w/o Base (W x H x D) | 540.0 x 324.4 x 51.4 mm (21.3" x 12.8" x 2.0") | 613.8 x 366.6 x 51.4 mm (24.2" x 14.4" x 2.0") |
| Packaging (W x H x D) | 655.0 x 408.0 x 172.0 mm (25.8" x 16.1" x 6.8") | 706.0 x 457.0 x 196.0 mm (27.8" x 18.0" x 7.7") |

Weight

| | | |
|-------------------|------------------|------------------|
| Product w/o Base | 3.3 kg (7.3 lb) | 3.7 kg (8.2 lb) |
| Product with Base | 4.9 kg (10.8 lb) | 6.0 kg (13.2 lb) |
| Packaging | 6.5 kg (14.3 lb) | 7.6 kg (16.8 lb) |

Regulation Approval

| | | |
|-----------------------------|----------------------------|----------------------------|
| Certifications & Compliance | CE, LVD, WEEE, RoHS, REACH | CE, LVD, WEEE, RoHS, REACH |
|-----------------------------|----------------------------|----------------------------|

Accessories

| | | |
|----------|---|---|
| Supplied | Power Cord, HDMI Cable, Audio Cable, Quick Start Guide, Warranty Card | Power Cord, HDMI Cable, Audio Cable, Quick Start Guide, Warranty Card |
|----------|---|---|

Optional Accessories

| | | |
|--------------------------------|--|--------------------------------|
| Ceiling Mount (Landscape only) | CMP-01+WMK-03 | CMP-01+WMK-03 |
| Wall Mount (Landscape only) | WMA-01, WMK-01, WMK-03, PMK-01 | WMA-01, WMK-01, WMK-03, PMK-01 |
| Desk Mount (Landscape only) | DMC-01, DMC-02D, DMS-01D, DMS-01Q, ES-02 | DMC-01, ES-02 |

Global Headquarters

Taipei, Taiwan

EMEA Regional Headquarters

Capelle a/d IJssel, The Netherlands

North & South America Regional Headquarters

San Jose, CA, U.S.A.

Asia-Pacific Regional Headquarters

Taipei, Taiwan

Canada Sales Office

Vancouver, B.C., Canada

China Sales Office

Shanghai, China

Czech Republic Sales Office

Brno, Czech Republic

Denmark Sales Office

Støvring, Denmark

Germany Sales Office

Mechernich, Germany

Italy Sales Office

Livorno, Italy

Poland Sales Office

Warsaw, Poland

Spain Sales Office

Barcelona, Spain

Ukraine Sales Office

Lviv, Ukraine

www.agneovo.com