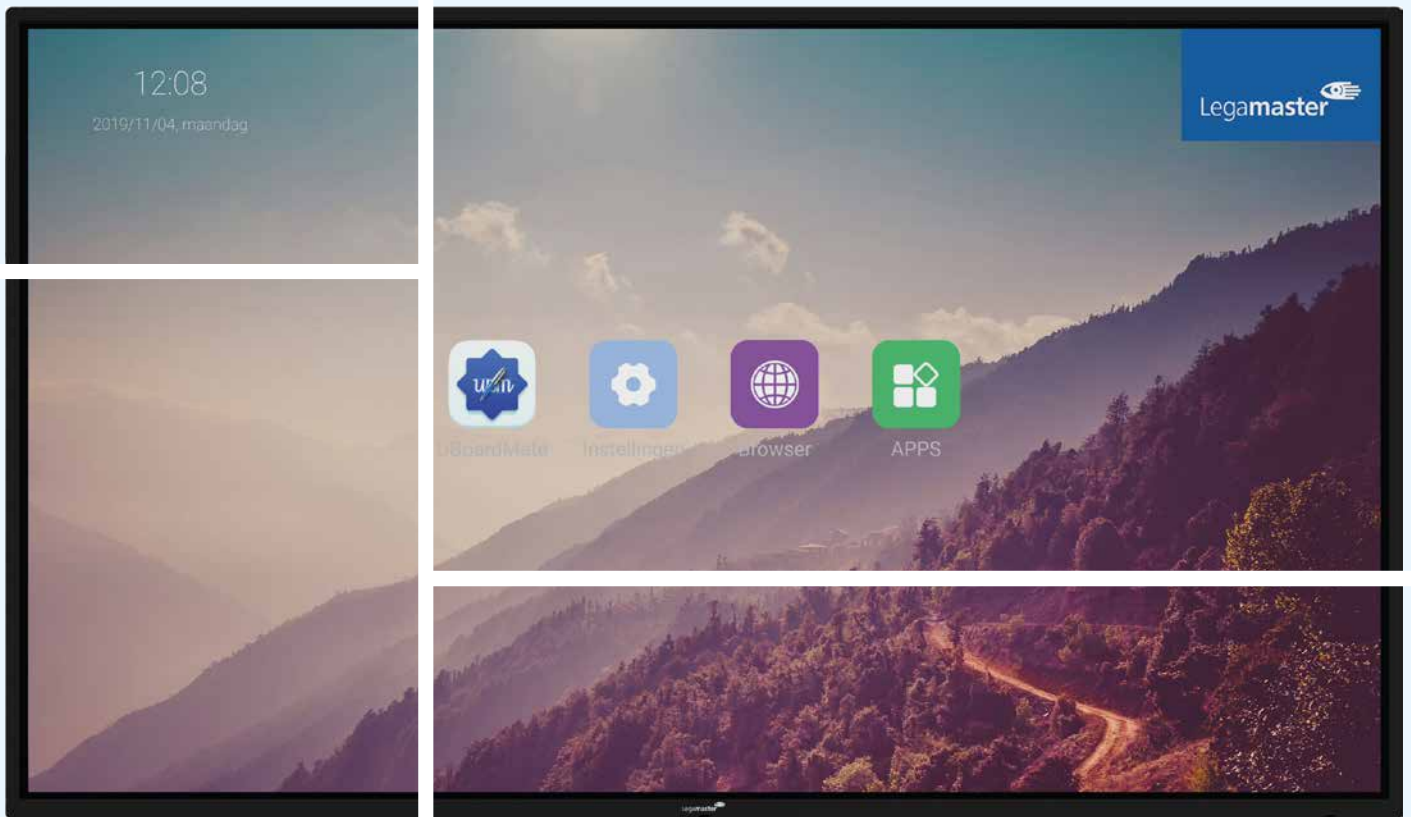


# Legamaster

We make communication visible



ENGLISH | DEUTSCH | FRANÇAIS | NEDERLANDS | ESPAÑOL

## ETX series USER MANUAL

Version 2.0



## LANGUAGES

GB	ENGLISH		2
DE	GERMAN	DEUTSCH	30
FR	FRENCH	FRANÇAIS	58
NL	DUTCH	NEDERLANDS	86
ES	SPANISH	ESPAÑOL	114

## TABLE OF CONTENTS

1. Important Information .....	3
1.1. Use .....	3
1.2. Exemptions .....	3
2. Safety Instructions.....	4
2.1. Safety Precautions .....	4
2.2. Moving and Carrying Notice.....	5
2.3. Installation .....	5
2.4. Wall Mount Safety Notice.....	6
2.5. Recommended Use .....	7
2.6. Cleaning .....	8
3. Package Contents .....	9
3.1. Unpacking.....	9
3.2. Included Accessories.....	9
4. Installation .....	9
4.1. Environment State.....	9
4.2. General overview of the screen.....	10
4.3. In- and output connector table.....	12
4.4. Remote Control.....	12
5. Operating the screen .....	13
5.1. Turning the display on and off .....	14
5.2. Quick launch menu .....	14
5.3. Float menu.....	15
5.4. Settings menu .....	15
5.5. Updating the screen .....	18
5.6. Enabling / Disabling Android .....	18
6. Touch Operation .....	18
7. Specifications .....	19
8. Supported Timings.....	21
9. Serial Commands.....	21
9.1. Serial Communications.....	21
9.2. RS-232 Connection and Port Configuration.....	21
9.3. RS232 Interface.....	22
10. Troubleshooting .....	24
11. Compliance .....	24
12. Appendix .....	25
12.1. Dimensions .....	25
13. Accessories .....	29
13.1. EasyFix Video Conferencing Unit .....	29
13.2. EasyFix Proximity Sensor .....	29

## 1. IMPORTANT INFORMATION



### **WARNING:**

TO PREVENT FIRE OR SHOCK HAZARDS, DO NOT EXPOSE THIS UNIT TO RAIN OR MOISTURE. ALSO, DO NOT USE THIS UNIT'S POLARIZED PLUG WITH AN EXTENSION CORD RECEPTACLE OR OTHER OUTLETS UNLESS THE PRONGS CAN BE FULLY INSERTED. REFRAIN FROM OPENING THE E-SCREENS HOUSING AS THERE ARE HIGH VOLTAGE COMPONENTS INSIDE.



### **CAUTION:**

TO REDUCE THE RISK OF ELECTRIC SHOCK, MAKE SURE POWER CORD IS UNPLUGGED FROM WALL SOCKET. TO FULLY DISENGAGE THE POWER TO THE UNIT, PLEASE DISCONNECT THE POWER CORD FROM THE AC OUTLET. DO NOT REMOVE COVER (OR BACK). NO USER SERVICEABLE PARTS INSIDE. REFER SERVICING TO QUALIFIED SERVICE

### 1.1. USE

- Transport the product upright with proper packaging. Avoid placing the product face up or down. Handle with care!
- Do not send a static (non-moving) image to the e-screen, it may cause image 'burn-in' or image retention.
- "Burn in" and/or image retention is not covered under warranty.
- Make sure to change the image on the e-screen periodically. It is recommended to turn off the e-screen for at least 6 hours after 16 hours of usage in a 24 hour period to help avoid image retention.

### 1.2. EXEMPTIONS

- This product isn't warranted for any damage caused by natural disaster (such as earthquake, thunder, etc.), fire, acts by third parties, accidents, owner's intentional misuse and fault, or use in other improper conditions.
- This product isn't warranted for incidental damages (such as profit loss or interruption in business, modification or erasure of record data, etc.) caused by use or inability to use of this product.
- This product isn't warranted for any damage caused by inappropriate operation, or from not following the user manual.
- This product isn't warranted for any damage caused by misuse or malfunction through simultaneous use of this product and the connected equipment or software.
- This product isn't warranted for any damage caused by neglect of the installation instructions.
- This product isn't warranted for any damage caused by improper installation.
- This product isn't warranted for any damage caused by disassembly, modification or repair by non-authorized service centers or people.

## 2. SAFETY INSTRUCTIONS

Before using this e-screen, please read this user manual thoroughly to help protect against property damage and to ensure your personal safety and the safety of others.

- Read and follow all instructions and safety-warnings found in this manual.
- For installation or adjustment, please follow the instructions in this manual and refer all servicing to qualified service personnel.

### 2.1. SAFETY PRECAUTIONS

**If smoke or a peculiar smell comes from the e-Screen, remove the power plug from the outlet immediately.**

Failure to do so may result in fire or electrical shock. Contact your dealer for inspection.

**If the e-Screen has been turned on but there is no picture, remove the power plug from the outlet immediately.**

Failure to do so may result in fire or electrical shock. Contact your dealer for inspection.

**If water is spilled or objects are dropped inside the e-Screen, remove the power plug from the outlet immediately.**

Failure to do so may result in fire or electrical shock. Contact your dealer for inspection.

**If the e-Screen is dropped or the e-screen's housing is damaged, remove the power plug from the outlet immediately.**

Failure to do so may result in fire or electrical shock. Contact your dealer for inspection.

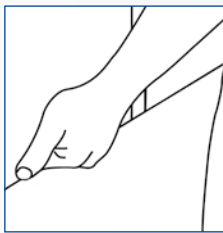
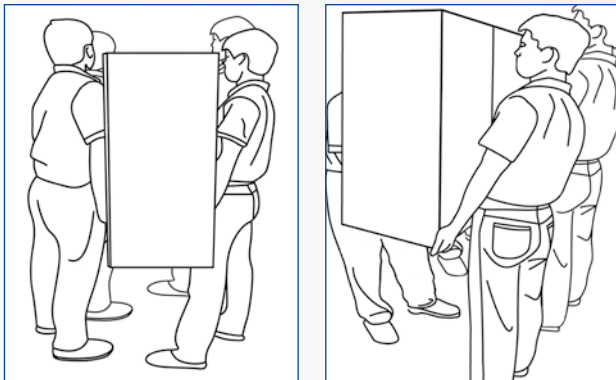
**If the power cord or plug is damaged or becomes hot, turn off the main power switch of the e-Screen, make sure the power plug has cooled down and remove the power plug from the outlet.**

If the e-Screen is still used in this condition, it may cause fire or electrical shock. Contact your dealer for replacement.

## 2.2. MOVING AND CARRYING NOTICE

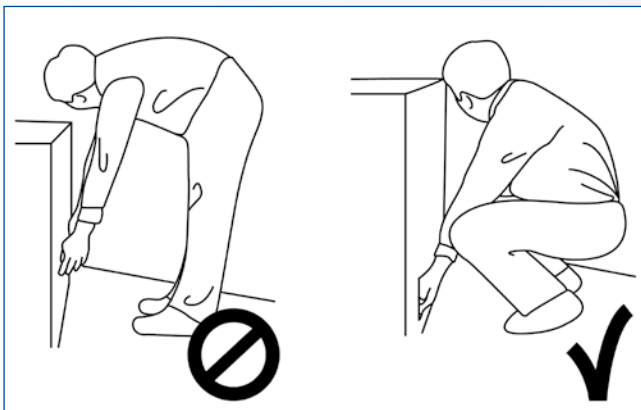
### Moving the product:

Moving the product requires at least four people. Attempting to move the product with fewer people may result in damage to the display or in serious injury of the people handling the screen. When moving a display in its shipping carton, lift the carton using the white handles.



### Carrying the product:

This product is heavy; please follow proper lifting techniques, as pictured below. Failure to do so may cause injury.



## 2.3. INSTALLATION

### Don't install in a high-temperature environment.

If the e-screen is used in high-temperatures or in direct sunlight, it may cause the housing of the product or other parts to become distorted or damaged, resulting in overheating or electrical shock.

### Don't install in a high-humidity environment.

This may cause overheating or electrical shock.

### Don't install near any heat sources such as radiators, heat registers, stoves, or other apparatus that produce heat.

This may cause fire or electrical shock.

### Don't overload outlets or cables beyond electrical capacity.

Don't use extension cords as it may cause fire or electrical shock.

### Don't insert the power plug into an outlet other than 100~240V AC.

This may cause fire or electrical shock.

- Don't use a damaged power plug or worn outlet.
- Don't insert an improper power plug it may cause fire or electric shock.

### Don't place the e-screen on an unstable shelf or surface.

The e-screen may fall, causing injury. Please install on a horizontal, stable, level surface.

### Don't place objects on the e-screen.

- If the e-screen is covered or the vents are blocked, the display could overheat and cause a fire.
- If objects or liquids get inside the e-screen, this may cause fire or electrical shock.
- Do not put heavy objects on the e-screen as they may fall, causing injury.
- Please keep a 10 cm minimum distance between e-screen, wall and/or other objects to ensure sufficient ventilation.

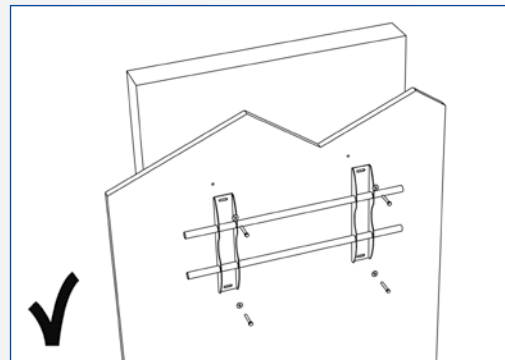
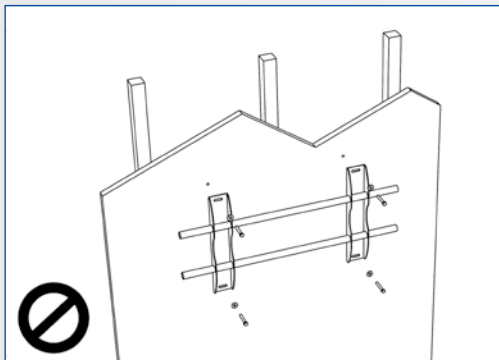
# SAFETY INSTRUCTIONS

## Don't move the e-screen when it is connected to the power cord and AV cables.

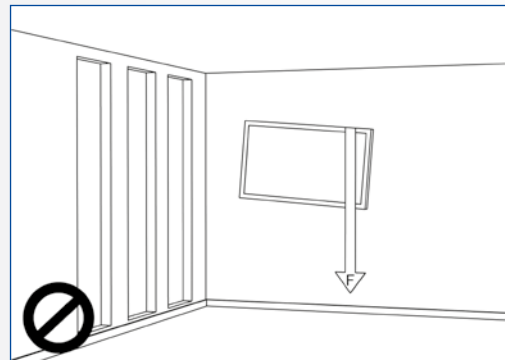
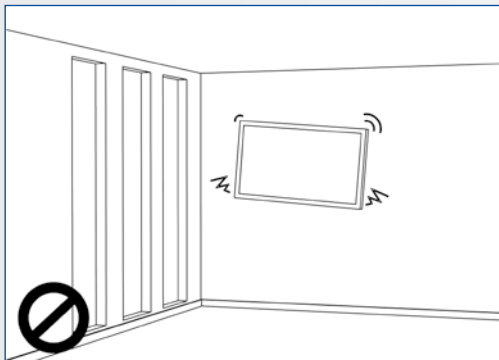
- When moving the e-screen, make sure to remove all cables first.
- When unpacking or carrying the e-screen, at least 4 people are needed. Make sure the e-screen is carried upright.
- Transport the e-screen upright. Avoid placing the e-screen face up or down.
- Handle the e-screen gently. Do not drop.

## 2.4. WALL MOUNT SAFETY NOTICE

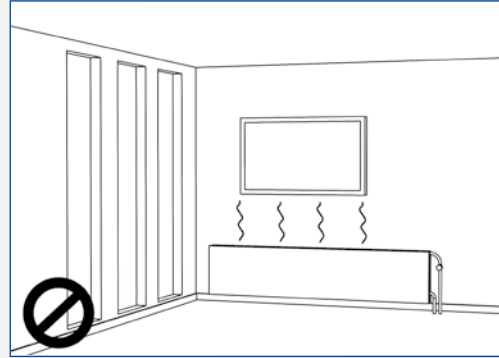
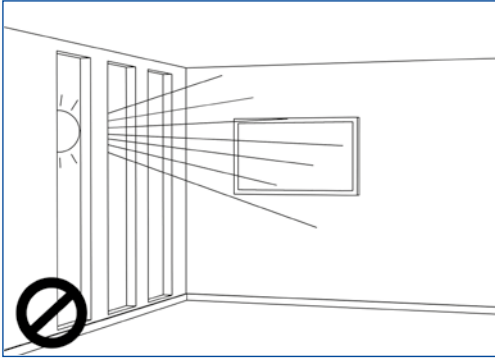
### 1. Please make sure the bracket is mounted on a solid surface.



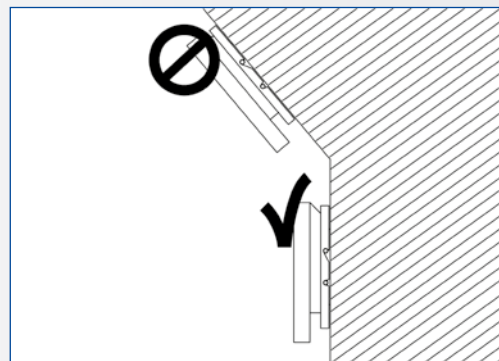
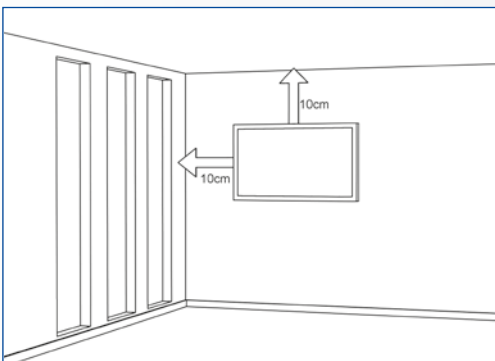
### 2. After mounting the screen, do not pull, push or shake the screen.



### 3. Do not install screens in direct sunlight, humid conditions or high temperatures.



### 4.



## 2.5. RECOMMENDED USE

**If you encounter a problem during installation, please contact your supplier for assistance.**

**Don't repair or open the e-screen by yourself.**  
Failure to do so may result in fire or electrical shock. Contact your dealer for inspection.

**Protect and correctly use the power cord/plug.**

- Don't pinch the power cord/plug between hard surfaces.
- Don't step on the power cord/plug.
- Before inserting the power plug into the wall outlet, connect the power cord to the display.
- Using an e-screen with a damaged or non-original powercord can damage the screen, cause fires or electrical shocks.

**Using extension cords (not recommended)**

If an extension cord must be used, ensure the voltage rating exceeds the max power consumption of the display. If the voltage rating is less than the display, it will cause the extension cord to overheat.

**Do not operate the screen during thunder or lightning.**

Remove the powerplug from the power outlet.

# SAFETY INSTRUCTIONS

## **Don't use any kind of liquid on the e-screen.**

- If liquid is spilled on the e-screen, remove the power plug from the wall socket and ask qualified service personnel to check the product.
- If liquid gets on e-screens glass plate, clean it with a dry and soft cloth immediately.
- Don't use any chemicals on the e-screen.
- If metal or liquids get into the e-screen, it may cause a fire or an electrical shock.

## **Don't install or remove the power plug with wet hands.**

This may cause an electrical shock.

## **If the e-screen will not be used for a long period of time, unplug the display.**

Preventing to do so may cause premature wear of electrical components or fire.

## **Handle the e-screen with care, prevent glass breakage.**

- If the glass of the e-screen is broken, liquids may escape. Please don't touch the liquid.
- If these liquids come into contact with skin or eyes, immediately wash it away with clean water and consult a medical professional.

## **Precautions with the remote control batteries**

- Please only use approved AAA type batteries.
- Please be sure to insert batteries by matching the + and -.
- Don't recharge, heat, disassemble, short or throw batteries into a fire.
- Don't mix a new battery with a used one.
- Don't mix different types of batteries together (only use the specified type).

## 2.6. CLEANING

### **Remove the power plug from the power outlet before cleaning.**

Failure to do so may result in electrical shock or damage.

### **Cleaning the surface of the e-screen**

- When the surface of the e-screen becomes dirty, wipe the surface lightly with a soft clean cloth.
- If the surface requires additional cleaning, lightly moisten the cloth.

- Do not to let any kind of liquid enter the e-screen as it may cause electrical shock or damage.
- Do not clean the e-screen with alcohol, solvents or ammonia, as this could damage the e-screen.



## 3. PACKAGE CONTENTS

### 3.1. UNPACKING

- The e-Screen is packed using cushions to protect the product during shipping.
- Before unpacking, prepare a stable, level, and clean surface near a wall outlet.
- Set the box in an upright position and open from the top of the box before removing the top cushions.
- Step 1: Remove the white handle and cut the banding
- Step 2: Remove the top cushion and take the accessory bag out.

### 3.2. INCLUDED ACCESSORIES

Item
IR Remote Control (Batteries Included)
HDMI Cable
USB Type B to A
Power Cord
2-in-1 stylus
2 x High precision stylus
Easyfix cable clips
USB drive with user manual, UPDD driver (for Apple computers) and latest firmware-version

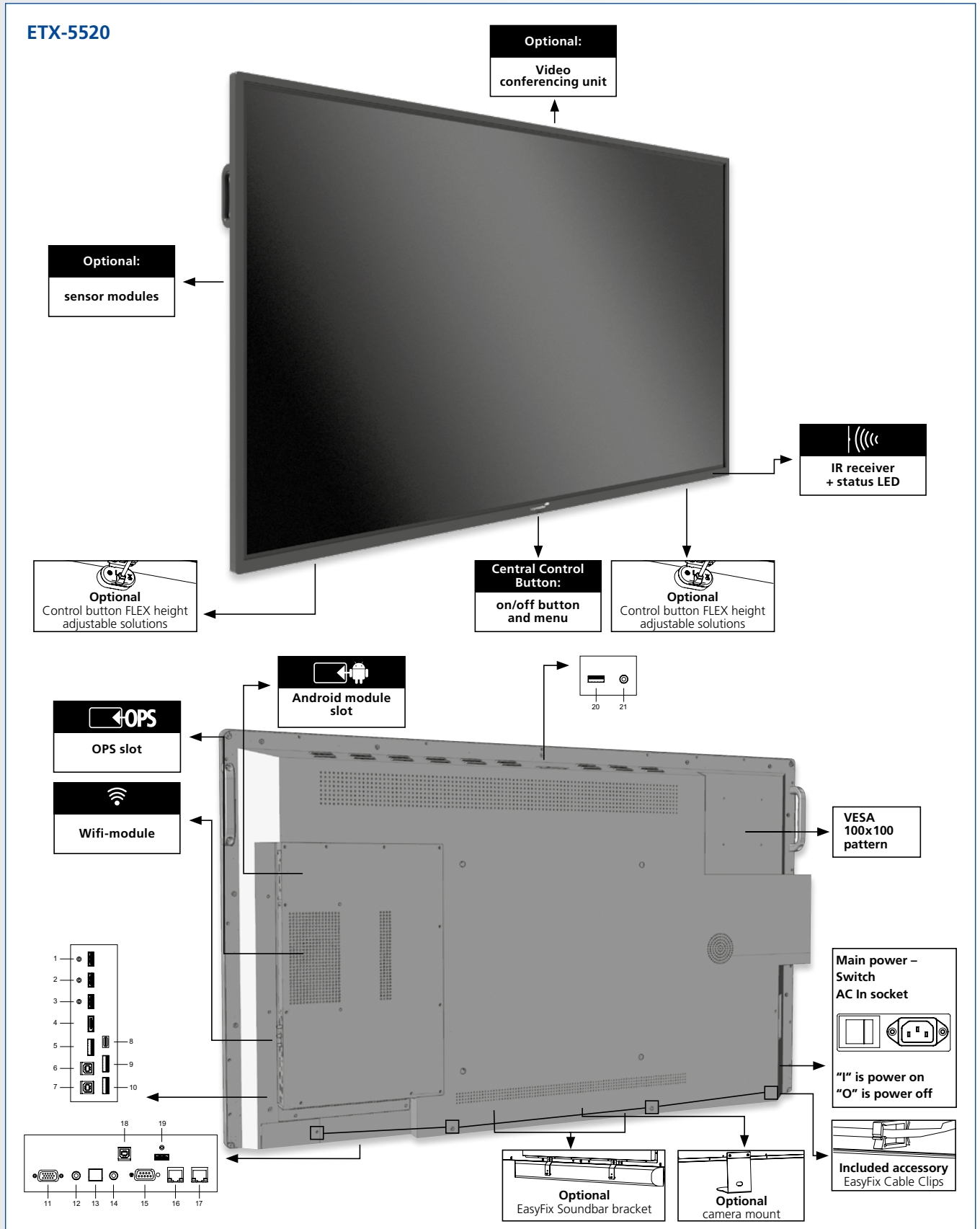
## 4. INSTALLATION

### 4.1. ENVIRONMENT STATE

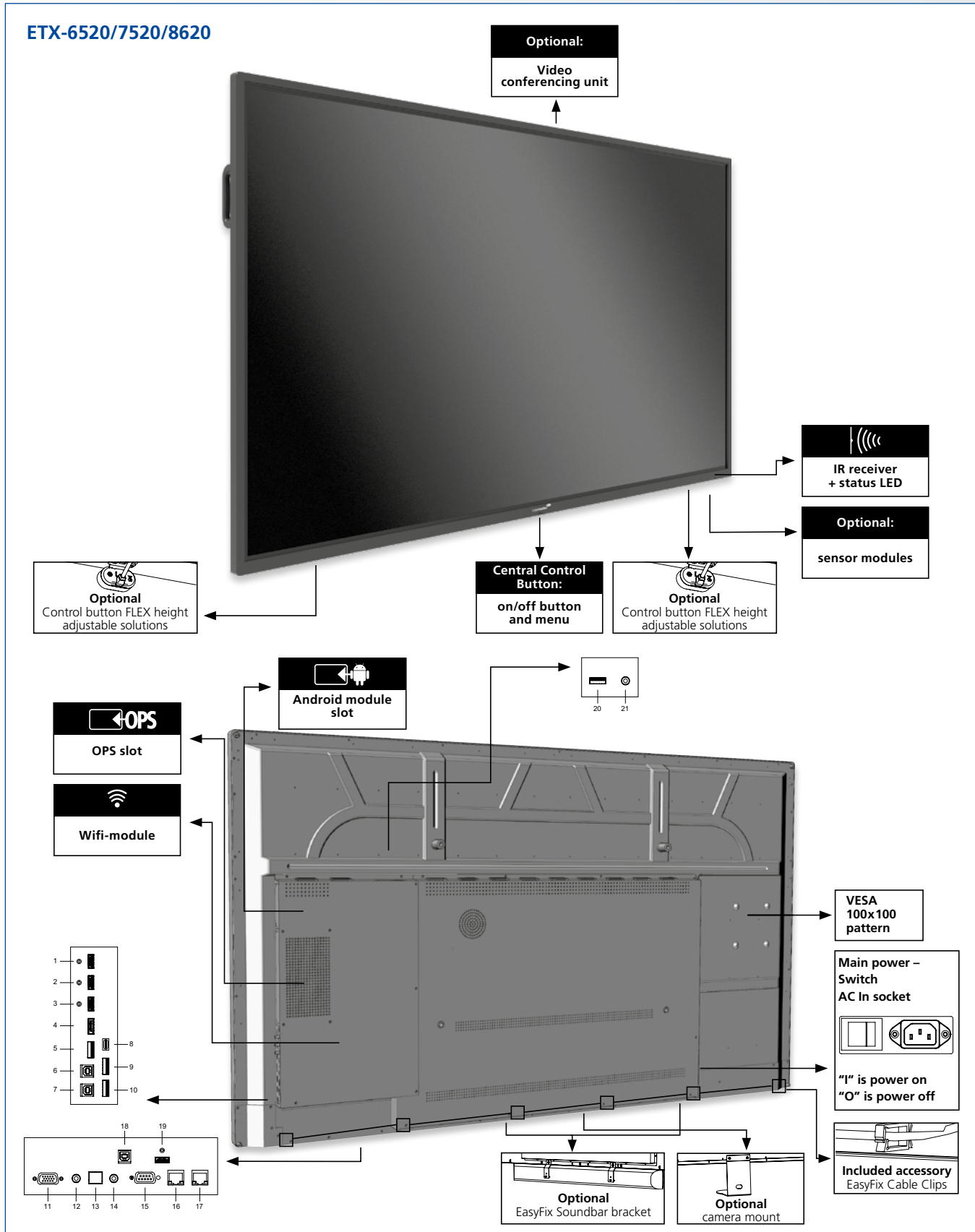
When operating the screen, ambient room conditions should not exceed the following:

- Operating temperature: -5°C to 45°C (41°F to 104°F)
- Humidity: less than 90% RH (Max)

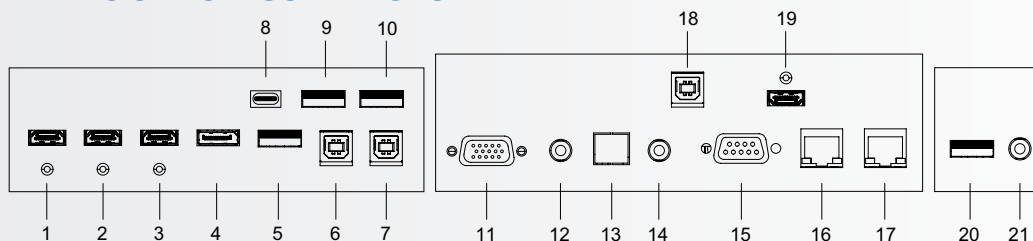
## 4.2. GENERAL OVERVIEW OF THE SCREEN



ETX-6520/7520/8620

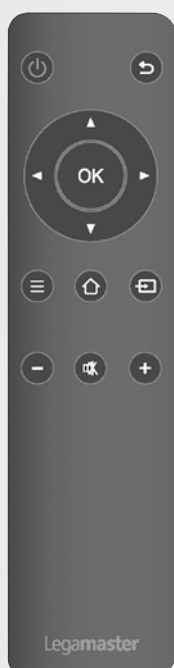


## 4.3. IN- AND OUTPUT CONNECTOR TABLE



1	<b>HDMI out</b> Can be used to connect the e-screen to an external monitor.	12	<b>PC Audio In</b> Connects the audio output from a personal computer
2	<b>HDMI (ARC)</b> HDCP-compliant digital video input for ARC enabled devices	13	<b>SPDIF</b> Connects external, powered digital speakers or audio receiver/amplifier.
3	<b>HDMI 2</b> HDCP-compliant digital video inputs for connecting HDMI sources.	14	<b>Audio Out</b> Connects external, powered speakers or an external audio receiver/amplifier.
4	<b>DisplayPort</b> DisplayPort 1.2, 1.1a and DisplayPort-HDCP 1.1 compliant, SD/HD input for connecting SDTV, EDTV or HDTV component video sources.	15	<b>RS-232C</b> A female, 9-pin D-sub connector for interfacing with a PC or control system.
5	<b>USB-A 2.0</b> USB-A 2.0 port for connecting devices using a usb cable. Also used as service port.	16-17	<b>Ethernet</b> An RJ-45 connector for interfacing with a PC or home theater automation/control system via a Cat 5 cable.
6	<b>Touch USB 1</b> A standard, Type B USB port for the touch functionality of the display. Automatically links to HDMI 1	18	<b>Touch USB 3</b> A standard, Type B USB port for the touch functionality of the display. Linked to HDMI 3.
7	<b>Touch USB 2</b> A standard, Type B USB port for the touch functionality of the display. Linked to HDMI 2, DP and VGA.	19	<b>HDMI 3</b> HDCP-compliant digital video inputs for connecting HDMI sources.
8	<b>USB-C</b> A USB-C port supporting power-delivery, USB 3.0 and DisplayPort. Please make sure that certified cables supporting these features are used.	20	<b>USB-A 3.0</b> USB 3.0 port for connecting the EasyFix Video Conferencing Unit. Also used as service port.
9-10	<b>USB-A 3.0</b> USB-A 3.0 port for connecting devices using a usb cable.	21	<b>PC Audio In</b> Audio input for connecting the EasyFix Video Conferencing Unit
11	<b>VGA (D-Sub 15 pin)</b> Connects components that have RGB or component output jacks, such as a personal computer		

## 4.4. REMOTE CONTROL



Label	Description
	Turn the display on and off
	Back / return to previous menu
	Navigational buttons
	Select / confirm (when in menu) or Freeze screen (press and hold in any source except Android)
	Menu
	Home
	Source selection menu
	Volume down
	Mute
	Volume Up

## 4.4.1. Changing the Remote Control Battery

### 1. Remove the battery cover:

On the backside of the remotecontrol, slide down the battery cover.

### 2. Insert batteries:

use two AAA batteries and insert them according to the plus and minus indicators in the remote control.

### 3. Close the battery cover

by sliding it back into place.

- I. Discard batteries according the local waste reduction and recovery regulations.
- II. Do not keep used, empty batteries in the remote control. They can leak and result in damages to the remote control.
- III. Only use batteries according to the instructions and regulations found in this manual and to the instructions and regulations set forth by the batteries' manufacturer.



### CAUTION

#### About the remote control

- Don't drop, shake or bump.
- Avoid moist conditions, liquids, high-temperatures and/or exposure to direct sunlight.
- Don't dismantle.

## 5. OPERATING THE SCREEN

Before first using the screen, please update it to the latest firmware version. ETX- e-screens can be updated in 2 ways, Over-the-Air (Internet connection required) or using a USB-drive.

To update to the latest firmware version, open the Quick Launch menu by pressing the central control button on the e-Screen. From this menu, click on the settings-button to open up the settings-menu.

In the settings-menu, select 'Device' and then 'System updates'. The update section is pin-code protected (default pin = 0000)

1. Local update: Insert a USB drive containing an update.zip file (supplied with the screen) in the USB 2.0 port on the side of the screen. Select 'local update' and select the USB drive. The update process will start.
2. Over-the-Air updating: Select 'Online update'. The system will check if a new firmware version is available. If a newer version is available, the system will prompt an update. Please confirm, after which the update process will start

FOR FREQUENTLY ASKED QUESTIONS, PLEASE VISIT:

[WWW.FAQ.LEGAMASTER.COM](http://WWW.FAQ.LEGAMASTER.COM)

# OPERATING THE SCREEN

## 5.1. TURNING THE DISPLAY ON AND OFF

Please make sure the display is connected to an AC power-socket using the supplied power cable. Set the AC-switch to „I“. The monitor will be in stand-by mode (indicated by a red light)

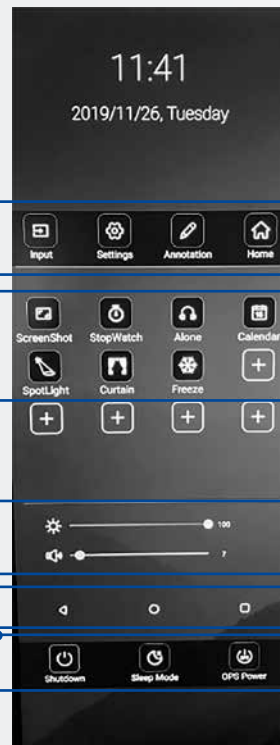
To switch the display on, push the central control button once, or push the power-button on the remote control.

To switch the monitor off, press and hold the central control button for 2 seconds, or push the power button on the remote control. The display will switch to stand-by mode.

To turn off power completely, turn the AC switch to „O“ or disconnect the AC power cord from the power outlet.

## 5.2. QUICK LAUNCH MENU

By pushing the Central command button once, the Quick Launch menu will open up. From this customizable menu, the most commonly used features of the screen can quickly be accessed.



- Input: Click to select the desired input / source
- Settings: Opens the settings-menu (see 5.4)
- Annotation tool
- Home: Opens the Android Launcher

- Screenshot: makes an instant screenshot and saves it to the file system, or when a USB-drive is inserted (in a USB 3.0 port) to the USB drive
- Stopwatch: Opens up a clock-screen with timer, stopwatch and alarm functionality
- Alone: Switches off the screen, but keeps playing audio. Wake-up the screen by touching it with 2 fingers.
- Calendar: opens up a calendar
- Spotlight: Activates a spotlight. Spotlight can be moved, enlarged or decreased in size.
- Curtain: activates the curtain-feature
- Freeze: Freezes the screen. Unfreeze by pressing the Freeze icon again.

- Brightness-slider
- Volume-slider

### Power-buttons:

- Shutdown: shuts down the screen and when applicable the OPS computer.
- Sleep-mode: induces a mode in which screen and audio are switched off, but from which the screen can recover in a snap by touching the screen with 2 fingers, or by pushing the Central control button
- OPS-power: switches the OPS computer on or off.

### Action-buttons:

- < Back / previous screen
- O Home (Legamaster launcher home-screen)
- □ Overview: Shows all open apps and allows users to quickly switch between them, or close all open apps at once.

## 5.3. FLOAT MENU

A float menu appears when you swipe up from the bottom edge of the screen.



In this float-menu, 3 Action-buttons can be found with the following functionality:

- ▲ Back: takes you back to the previous screen
- 🏠 Home: brings you back to the home screen of the Legamaster Launcher
- 🗄 Overview: Shows all open apps and allows users to quickly switch between them, or close all open apps at once.

## 5.4. SETTINGS MENU

Below you can find a full overview of the settings menu of the ETX-XX20 e-Screen, together with an explanation of the settings.

MAIN SETTINGS CATEGORY	SETTING CATEGORY	LEVEL1	LEVEL2	VALUES	EXPLANATION
NETWORK & CONNECTED DEVICES	Ethernet	MAC address			shows the MAC address for the wired connection
		IP address			shows the IP address for the wired connection
		Ethernet		ON/OFF	Toggle ethernet-connection on / off for the screen itself. Disabling this does not disable ethernet for the OPS
	Wi-Fi	MAC address			shows the MAC address for the Wi-Fi connection
		IP address			shows the IP address for the Wi-Fi connection
		Wi-Fi		ON/OFF	Toggle Wi-Fi on and off
	Portable hotspot	Hotspot		ON/OFF	Toggle the hotspot-functionality on / off
		Setup Wi-Fi hotspot			Set-up the hotspot
	Bluetooth	MAC address			show the MAC address for the bluetooth adapter
		Blooth		ON/OFF	Toggle bluetooth on/ off, show / connect with available devices
DEVICE	Picture			Standard	Select pre-set picture modes
		Picture mode		Dynamic	
				Soft	
				User	Picture mode where settings can be adjusted manually in ,Advanced'
				User	Choose a power-mode: User = manual brightness setting, Auto = Automatic brightness setting based on ambient light conditions, balanced = brightness 75, ECO = brightness 50, DCR = 100. Power consumption varies based on these settings.
		Power mode		Auto	
				Balanced	
				ECO Friendly	
				DCR	
				Standard	Select a color temperature mode
		Color temprature		Cool	
				Warm	
		Eye protect		ON/OFF	Toggle Eye Protect mode on / off. When enabled, the brightness will be reduced when writing.
		Anti blue light		ON/OFF	Toggle Anti blue light on / off. When enabled the amount of blue light will be reduced.
		Backlight		0-100	Manually adjust the brightness. Using this setting will change the power mode setting to ,Manual'

# OPERATING THE SCREEN

MAIN SETTINGS CATEGORY	SETTING CATEGORY	LEVEL1	LEVEL2	VALUES	EXPLANATION	
DEVICE	Picture	Advanced	Contrast	0-100	In Picture mode ,User', use these settings to manually adjust the picture settings	
			Brightness	0-100		
			Saturation	0-100		
			Sharpness	0-100		
			PC mode	PC / Video	Allows switching to Video mode, in which ,Overscan' can be used	
			Display mode	16:9/P2P	Toggle picture aspect mode	
			MEMC	Off/Low/Middle/High	Change the MEMC level	
			Overscan	ON/OFF	toggle between overscan on and off.	
			HDR	ON/OFF	toggle between HDR on and off.	
		VGA auto adjust		toggle VGA auto adjust o / off when receiving a VGA signal		
	Sound	Audio output		Speaker/SPDIF/ARC/Bluetooth	Choose the Audio output	
		Sound mode		Standard/Music/Movie/Sports/User	Select a pre-set sound mode. ,User' allows manual sound settings	
		SPDIF mode		RAW/PCM	Toogle SP/DIF mode between RAW / PCM	
		AVC		ON/OFF	toggle AVC on / off	
		Sound Effect		ON/OFF	toggle sound effect on / off	
		Volume		0-100	set volume	
		Balance		0-100	set balance	
		EQ 120Hz		0-100	Manually adjust settings, when sound mode is set to , User'	
		EQ 500Hz		0-100		
EQ 1.5KHz			0-100			
EQ 5KHz		0-100				
	EQ 10KHz		0-100			
SYSTEM	Security	Change password			Change your password	
		Safe mode		ON/OFF	Safe mode password-protects the complete settings menu, file browser and....	
		App lock			Select individual apps that will be password-protected	
		App install/uninstall lock		ON/OFF	App (de)install lock disables (de)installation of apps	
		Touch lock		ON/OFF	Touch lock disables touch functionality	
		Keypad lock		ON/OFF	Keypad lock disables use of the Central Control Button	
		IR lock		ON/OFF	IR lock disables use of the remote control	
		Network lock		ON/OFF	Network lock disables ethernet, Wifi and Bluetooth connections	
	Manage apps	Installed apps			manage user-installed apps(FORCE STOP/UNINSTALL/CLEAR DATA)	
		All apps			manage all apps(FORCE STOP/DISABLE/CLEAR DATA)	
	Power	Power-on / shutdown timer	Shutdown timer			set the shutdown timer
			Power-on timer			set the power-on timer
		Power on settings	Power on mode		Direct	set power on mode to direct
					Standby	set power on mode to standby
					Memory	set power on mode to memory
				Power on source	Memory/Android/PC/HDMI1/HDMI2/HDMI3/DP/USB_C/VGA	Choose the source in which the screen powers-on
				Power on volume	Memory/User	Set the power-on volume. In ,User' users can select a power-on volume manually
				Volume setting	0-100	Set the power-on volume
				Boot OPS at power-on	ON/OFF	Choose wether the OPS boots automatically when the screen is power-on
		Wake on lan		ON/OFF	Enable / disable wake on Lan	
		Motion Wake-up		ON/OFF	Enable / disable motion wake-up by the proximity sensor	
		Motion Detection		Off/1/15/30/45/60 minutes	Dis- / enable the proximity sensor to put the screen in sleep mode when no motion is detected by the proximity sensor	
		Shutdown timer		OFF/1/10/20/30/60/90/120/180 minutes	set a shutdown timer	
Auto shutdown		Off/1/3/5/10 minutes	Shuts down the screen when there's no signal			



MAIN SETTINGS CATEGORY	SETTING CATEGORY	LEVEL1	LEVEL2	VALUES	EXPLANATION	
OTHERS	More	Auto sense		OFF/Prompt/Direct	Select the auto sense mode. In auto sense, the screen will detect new active signals and switch to that source automatically (direct), or when confirmed (prompt). When a signal is switched off, autosense will automatically check for other active sources in the sequence OPS slot, HDMI 1, HDMI 2, HDMI 3, DisplayPort, USB C, VGA always ending in the Android launcher (when enabled)	
		Temperature protection		ON/OFF	With temperature protection, a user can set an alarm temperature in which the screen will shutdown automatically	
		Current temperature		0-100	shows the current temperature of the screen	
		Alarm temperature		50-100	set the alarm temperature value. When reached, the screen will automatically shutdown to prevent further temperature increase	
		HDMI	HDMI out		1080p 60Hz/2160p 30Hz/2160p 60Hz	set the HDMI out signal
			HDMI EDID version		EDID 1.4/EDID 2.0	set the HDMI EDID version
		Date & time	Automatic date & time		ON/OFF	Automatic date and time requires an active internet connection. Disabling this setting allows users to manually set the date & time
			Date			Show or set the current date
			Time			show or set the current time
			Time zone			set the time zone
		Use 24-hour format		ON/OFF		Choose between a 12 or a 24 hr time format
			Languages		Deutsch/English/Francais/Nederlands	set the language
		Keyboard & inputs	Current Keyboard			Shows the current keyboard / allows users to switch keyboards
			Android Keyboard (AOSP)			Configure the default (AOSP) keyboard
			Manage keyboards			Manage keyboards
		Individuation	Set wallpaper			change and set the wallpaper
			Set ,no input' wallpater			change and set the no input wallpaper
			Set source label			Label various sources for easier recognition
		Device	Device name			show or change the device name
	Device model				shows the device model	
	System information		Firmware version		shows all system information	
	System Updates		Local update			Updates the systems firmware using a USB-drive
			Online update			Checks for updates online
Reset				restore factory settings. NOTE! This will erase all custom settings, data and custom apps from your system		

# OPERATING THE SCREEN / TOUCH OPERATION

## 5.5. UPDATING THE SCREEN

The ETX-xx20 (PLUS) e-Screens can be updated with a new firmware version. Updates can be done using a USB-drive or 'over-the-air'.

### 5.5.1 Updating the e-Screen using a USB-drive

Load the update.zip file on a USB drive, and insert it into the USB 2.0 port on the side of the ETX e-Screen. Go to the settings menu of the ETX e-Screen. In the 'Others' section of the menu, select 'Device'. Select 'System updates' and choose 'local update'. Enter the pin-code set for the system, then select the USB-drive with the update.zip file on it. Follow the prompts until ready.

After completing the update process, please power-down the system completely (using the AC-switch).

### 5.5.2 Updating the e-Screen 'over-the-air'

Make sure the ETX e-Screen has an active internet connection. Go to the settings menu of the ETX e-Screen. In the 'Others' section of the menu, select 'Device'. Select 'System updates' and choose 'online update'. Enter the pin-code set for the system. The system will check for available updates. When a newer firmware version is available, click the 'download' button to start the update process.

NOTE: please verify that the correct server URL is entered:

<http://68.66.241.101:8080/ota/upgrade>

After completing the update process, please power-down the system completely (using the AC-switch).

## 5.6. ENABLING / DISABLING ANDROID

ETX-XX20 (PLUS) e-Screens offer users the option to disable Android. To disable or enable Android, use the remote control supplied with the screen.

(slowly) Press: Source / Left / Right / Plus / Minus

A prompt will appear (Android enable); select ON to enable Android, Press OFF to disable Android

NOTE: disabling Android limits the functionalities of the screen. Some settings cannot be accessed or changed after Android has been disabled.

## 6. TOUCH OPERATION

To be able to control various (enabled) sources using the e-screens touch-functionality, a dedicated connection between the e-screen and the source is needed using a (supplied) USB cable:

1. Connect the source with the screen using a video cable (VGA / HDMI / Displayport)
2. Use the supplied USB cable to connect the source with the screen, using the USB-A connector for the source and the USB-B connector with the screen.
3. Turn both the screen and the source on. It may take up to 5 seconds for touch to become active.
4. When a suitable USB-C to USB-C cable is used, video, power-delivery and touch connectivity are managed over 1 cable.

## 7. SPECIFICATIONS

PRODUCT LOGISTICS	ETX-8620	ETX-7520	ETX-6520	ETX-5520
Dimension of Package Carton (W x H x D)	2139x1363x231	1875x1186x231	1676x1097x231	1414x901x232
Weight of Package Carton (Gross)	85	75,8	56	45
Product SAP / EAN / KEA	868007000 / 8713797092500 / 7-803120-86	868006000 / 8713797092494 / 7-803120-75	868005000 / 8713797092487 / 7-803120-65	868004000 / 8713797092470 / 7-803120-55
PRODUCT SPECIFICATIONS				
Screen Size	86" (85.6")	75" (74.52")	65" (64.53")	55" (54.64")
Panel Technology	TFT LCD	TFT LCD	TFT LCD	TFT LCD
Display Resolution	3840 x 2160	3840 x 2160	3840 x 2160	3840 x 2160
Brightness (Typical)	350 cd / m <sup>2</sup>	350 cd / m <sup>2</sup>	350 cd / m <sup>2</sup>	350 cd / m <sup>2</sup>
Contrast (Typical)	1200 : 1	4000:1	4000:1	4000:1
Response Time	8 ms	8 ms	9 ms	9 ms
Frame Rate	60 Hz	60 Hz	60 Hz	60 Hz
Viewing Angle (H / V)	178° / 178°	178° / 178°	178° / 178°	178° / 178°
Display Colors	1.07B (10-bit)	1.07B (10-bit)	1.07B (10-bit)	1.07B (10-bit)
Backlight Type	Direct LED	Direct LED	Direct LED	Direct LED
Service life	> 40.000 Hours	> 40.000 Hours	> 40.000 Hours	> 40.000 Hours
Orientation	Landscape	Landscape	Landscape / Portrait	Landscape / Portrait
CPU	ARM Cortex A73x2; Cortex A53x2	ARM Cortex A73x2; Cortex A53x2	ARM Cortex A73x2; Cortex A53x2	ARM Cortex A73x2; Cortex A53x2
GPU	G51MP4	G51MP4	G51MP4	G51MP4
Operating System	Android 8.0	Android 8.0	Android 8.0	Android 8.0
Memory	4 GB	4 GB	4 GB	4 GB
On-Board Storage	32GB	32GB	32GB	32GB
Detection Method	High Precision Advanced Infrared	High Precision Advanced Infrared	High Precision Advanced Infrared	High Precision Advanced Infrared
Available Touch Points	32 Point Ø5 point Ø3mm	32 Point Ø5 point Ø3mm	32 Point Ø5 point Ø3mm	32 Point Ø5 point Ø3mm
Response Time (Typical)	<= 10 ms	<= 10 ms	<= 10 ms	<= 10 ms
Minimum Response Size	>= Ø 3 mm	>= Ø 3 mm	>= Ø 3 mm	>= Ø 3 mm
Touch Resolution	32771 x 32768	32770 x 32768	32769 x 32768	32768 x 32768
Input Connectors	HDMI 2.0 ARC x 1 / HDMI 2.0 x 2 / DisplayPort x 1 / USB-A 3.0 x 3 + 2.0 x 1 / USB-C x 1 / VGA + 3.5mm jack x 1 / RS-232C x 1 / LAN RJ45 x 2			
Output Connectors	HDMI (4k@60Hz) x 1 / Optical (SPDIF) out x 1 / 3.5mm audio jack x 1 / Touch-out USB-B x 3			
OPS Slot	YES	YES	YES	YES
Android Slot	YES	YES	YES	YES
Wifi (pluggable / removable module)	802.11a/b/g/n/ac, Bluetooth v. 5			
Audio Power Output (RMS)	15 W x 2 / 8 Ω	15 W x 2 / 8 Ω	15 W x 2 / 8 Ω	15 W x 2 / 8 Ω
Subwoofer	15 W	15 W	15 W	15 W
Dimension of Product (W x H x D)	1959.5x1140.2x89.3	1714.7x1002.8x89.3	1490.5x875.5x89.3	1285.5x766.2x90
Weight of Product	66	55,9	43	34,3
VESA® Hole Pitch (W x H)	600 x 800 (mm), M8 Screw. Supplied with mounted 400x600 adapter		400 x 600 (mm), M8 Screw	400 x 400 mm, M8 Screw
Front Glass	4mm Tempered Anti-Glare	4mm Tempered Anti-Glare	4mm Tempered Anti-Glare	4mm Tempered Anti-Glare
Power Supply	AC 100-240 V 50 / 60 Hz	AC 100-240 V 50 / 60 Hz	AC 100-240 V 50 / 60 Hz	AC 100-240 V 50 / 60Hz
Power Consumption (in Operation)	360	295	160	125
Power Consumption (in Standby)	<= 0.5 W	<= 0.5 W	<= 0.5 W	<= 0.5 W
ECO Sensor	Yes	Yes	Yes	Yes
Operation Temperature	0 - 40 °C	0 - 40 °C	0 - 40 °C	0 - 40 °C
Storage Temperature	-20 - 60 °C	-20 - 60 °C	-20 - 60 °C	-20 - 60 °C
Operation Humidity	20 - 80 %RH (No Condensation)	20 - 80 %RH (No Condensation)	20 - 80 %RH (No Condensation)	20 - 80 %RH (No Condensation)
Storage Humidity	10 - 90 %RH	10 - 90 %RH	10 - 90 %RH	10 - 90 %RH
Accessories	remote, HDMI cable 5m, USB cable 5m, High Precision stylus pack (2pcs), Double side stylus, Easy-fix cable clips			

# SPECIFICATIONS

PRODUCT LOGISTICS	ETX-8620 PLUS	ETX-7520 PLUS	ETX-6520 PLUS
Dimension of Package Carton (W x H x D)	2139x1363x231	1875x1186x231	1676x1097x231
Weight of Package Carton (Gross)	tbd	tbd	tbd
Product SAP / EAN / KEA	868034000 / 8713797092814 / 7-803120-86P	868033000 / 8713797092807 / 7-803120-75P	868032000 / 8713797092791 / 7-803120-65P
PRODUCT SPECIFICATIONS			
Screen Size	86" (85.6")	75" (74.52")	65" (64.53")
Panel Technology	TFT LCD	TFT LCD	TFT LCD
Display Resolution	3840 x 2160	3840 x 2160	3840 x 2160
Brightness (Typical)	350 cd / m <sup>2</sup>	350 cd / m <sup>2</sup>	350 cd / m <sup>2</sup>
Contrast (Typical)	1200 : 1	4000:1	4000:1
Response Time	8 ms	8 ms	9 ms
Frame Rate	60 Hz	60 Hz	60 Hz
Viewing Angle (H / V)	178° / 178°	178° / 178°	178° / 178°
Display Colors	1.07B (10-bit)	1.07B (10-bit)	1.07B (10-bit)
Backlight Type	Direct LED	Direct LED	Direct LED
Service life	> 40.000 Hours	> 40.000 Hours	> 40.000 Hours
Orientation	Landscape	Landscape	Landscape / Portrait
CPU	ARM Cortex A73x2; Cortex A53x2	ARM Cortex A73x2; Cortex A53x2	ARM Cortex A73x2; Cortex A53x2
GPU	G51MP4	G51MP4	G51MP4
Operating System	Android 8.0	Android 8.0	Android 8.0
Memory	4 GB	4 GB	4 GB
On-Board Storage	32GB	32GB	32GB
Detection Method	High Precision Advanced Infrared	High Precision Advanced Infrared	High Precision Advanced Infrared
Available Touch Points	32 Point Ø5 point Ø3mm	32 Point Ø5 point Ø3mm	32 Point Ø5 point Ø3mm
Response Time (Typical)	<= 10 ms	<= 10 ms	<= 10 ms
Minimum Response Size	>= Ø 3 mm	>= Ø 3 mm	>= Ø 3 mm
Touch Resolution	32771 x 32768	32770 x 32768	32769 x 32768
Input Connectors	HDMI 2.0 ARC x 1 / HDMI 2.0 x 2 / DisplayPort x 1 / USB-A 3.0 x 3 + 2.0 x 1 / USB-C x 1 / VGA + 3.5mm jack x 1 / RS-232C x 1 / LAN RJ45 x 2		
Output Connectors	HDMI (4k@60Hz) x 1 / Optical (SPDIF) out x 1 / 3.5mm audio jack x 1 / Touch-out USB-B x 3		
OPS Slot	YES	YES	YES
Android Slot	YES	YES	YES
Wifi (pluggable / removable module)	802.11a/b/g/n/ac, Bluetooth v. 5		
Audio Power Output (RMS)	15 W x 2 / 8 Ω	15 W x 2 / 8 Ω	15 W x 2 / 8 Ω
Subwoofer	15 W	15 W	15 W
Dimension of Product (W x H x D)	1959.5x1140.2x89.3	1714.7x1002.8x89.3	1490.5x875.5x89.3
Weight of Product	tbd	tbd	tbd
VESA® Hole Pitch (W x H)	600 x 800 (mm), M8 Screw. Supplied with mounted 400x600 adapter	600 x 800 (mm), M8 Screw. Supplied with mounted 400x600 adapter	400 x 600 (mm), M8 Screw
Front Glass	2mm Optical Bonded Tempered Anti-Glare	2mm Optical Bonded Tempered Anti-Glare	2mm Optical Bonded Tempered Anti-Glare
Power Supply	AC 100-240 V 50 / 60 Hz	AC 100-240 V 50 / 60 Hz	AC 100-240 V 50 / 60 Hz
Power Consumption (in Operation)	360	295	160
Power Consumption (in Standby)	<= 0.5 W	<= 0.5 W	<= 0.5 W
ECO Sensor	Yes	Yes	Yes
Operation Temperature	0 - 40 °C	0 - 40 °C	0 - 40 °C
Storage Temperature	-20 - 60 °C	-20 - 60 °C	-20 - 60 °C
Operation Humidity	20 - 80 %RH (No Condensation)	20 - 80 %RH (No Condensation)	20 - 80 %RH (No Condensation)
Storage Humidity	10 - 90 %RH	10 - 90 %RH	10 - 90 %RH
Accessories	remote, HDMI cable 5m, USB cable 5m, High Precision stylus pack (2pcs), Double side stylus, Easy-fix cable clips		

## 8. SUPPORTED TIMINGS

### VGA SOURCE

No.	Signal format
1	640x480/60HZ
2	640x480/75HZ
3	800x600/60Hz
4	800x600/75Hz
5	1024x768/60Hz
6	1024x768/75Hz
7	1280x768/60HZ
8	1280x1024/60Hz
9	1280x1024/75Hz
10	1600x1024/60Hz
11	1920x1080P/60Hz
12	1920x1080P/50Hz

### DP Source

No.	Signal format
1	640x480/60HZ
2	640x480/75HZ
3	800x600/60Hz
4	800x600/75Hz
5	1024x768/60Hz
6	1024x768/75Hz
7	1280x768/60HZ
8	1280x1024/60Hz
9	1280x1024/75Hz
10	1600x1024/60Hz
11	1920x1080P/60Hz
12	1920x1080P/50Hz
13	3840x2160/30HZ
14	3840x2160/60HZ
15	1280x720P/60Hz
16	1280x720P/50Hz
17	720x480P/60Hz
18	720x576P/50Hz

### HDMI SOURCE

No.	Signal format
1	640x480/60HZ
2	640x480/75HZ
3	800x600/60Hz
4	800x600/75Hz
5	1024x768/60Hz
6	1024x768/75Hz
7	1280x768/60HZ
8	1280x1024/60Hz
9	1280x1024/75Hz
10	1600x1024/60Hz
11	1920x1080P/60Hz
12	1920x1080P/50Hz
13	3840x2160/30Hz
14	3840x2160/60Hz
15	1280x720P/60Hz
16	1280x720P/50Hz
17	720x480P/60Hz
18	720x576P/50Hz
19	1920x1080/60Hz
20	1920x1080/50Hz

## 9. SERIAL COMMANDS

### 9.1. SERIAL COMMUNICATIONS

The display uses a simple text-based control protocol to take requests from control devices and to provide responses to such devices. This section describes how to send control messages over a serial link between the display and an automation/control system or a PC running a terminal emulation program such as Windows® HyperTerminal or Tera Term.

### 9.2. RS-232 CONNECTION AND PORT CONFIGURATION

Connect your control system or PC to the RS-232 input of the display.

Configure the RS-232 controller or PC serial port as follows: Baud rate: 115200, 8bit, non parity, 1 stop bit.

# SERIAL COMMANDS

## 9.3. RS232 INTERFACE

Default Port settings > Baudrate: 115200, Bits:8,Parity: None, Stopbit:1								
Main Item	Control Item	Commando	Type Write / Read	Value in HEX	Reply in HEX Format: STX data ETX (STX=start text / ETX = end tekst)	Reply in Ascii	Range	Note
Power Control and input source	Power control	Power OFF	W	02 50 57 44 3A 30 30 03	4F 4B	OK		
		Power ON	W	02 50 57 44 3A 30 30 31 03	4F 4B	OK		
		Get Power status	R	02 50 57 44 3A 3F 03	02 xx 03	Only second nibble of byte	0-1	0 = power OFF 1 = Power ON
	Backlight	Screen off (Blank)	W	02 42 4C 54 3A 30 30 03	4F 4B	OK		
		Screen on (Blank)	W	02 42 4C 54 3A 30 30 31 03	4F 4B	OK		
		Get Screen Status (blank)	R	02 42 4C 54 3A 3F 03	02 xx 03	Only second nibble of byte	0-1	0 = screen OFF 1 = Screen ON
		Backlight Level	W	02 42 4C 56 3A 3x 3x 03	4F 4B	OK	0 ~ 100	x = 0-9 Example: 30 30 30 = 0 30 35 30 = 50 31 30 30 = 100
	Get Backlight Level	R	02 42 4C 56 3A 3F 03	02 xx xx xx 03	Only second nibble of each byte	0 ~ 100		
	Input source	HDMI 1	W	02 49 4E 50 3A 30 30 38 03	4F 4B	OK		
		HDMI 2	W	02 49 4E 50 3A 30 30 39 03	4F 4B	OK		
		HDMI 3	W	02 49 4E 50 3A 30 31 30 03	4F 4B	OK		
		OPS (PC)	W	02 49 4E 50 3A 30 30 34 03	4F 4B	OK		
		Display Port	W	02 49 4E 50 3A 30 31 32 03	4F 4B	OK		
		USB-C	W	02 49 4E 50 3A 30 31 36 03	4F 4B	OK		
		VGA	W	02 49 4E 50 3A 30 30 35 03	4F 4B	OK		
		Get Current Source	R	02 49 4E 50 3A 3F 03	02 xx xx 03	Only second nibble of byte 5, 8, 9, 10, 12, 14, 16		5 = VGA 8 = HDMI1 9 = HDMI2 10 = HDMI3 12 = DP 14 = OPS 16 = USB-C
Picture	Picture	Set Picture Mode	W	02 50 49 43 3A 30 30 3x 03	4F 4B	OK	x = 0-3	30 = Dynamic 31 = Standard 32 = Soft 33 = User
		Get Picture mode	R	02 50 49 43 3A 3F 03	02 xx 03	Only second nibble of byte	x = 0-3	0 = Dynamic 1 = Standard 2 = Soft 3 = User
	Freeze	Freeze	W	02 4B 45 59 3A 30 33 35 03	4F 4B	OK		
Audio Control	Volume	Volume Down	W	02 4B 45 59 3A 30 31 33 03	4F 4B	OK		
		Volume UP	W	02 4B 45 59 3A 30 31 32 03	4F 4B	OK		
		Set Volume Level	W	02 56 4F 4C 3A 3x 3x 03	4F 4B	OK	0 - 100	x = 0-9 Example: 30 30 30 = 0 30 35 30 = 50 31 30 30 = 100
		Get Volume Level	R	02 56 4F 4C 3A 3F 03	02 xx xx xx 03	Only second nibble of each byte	0 - 100	
	Mute	Mute	W	02 4D 55 54 3A 30 30 31 03	4F 4B	OK		
		Unmute	W	02 4D 55 54 3A 30 30 30 03	4F 4B	OK		
	Sound mode	Sound mode	W	02 53 4E 44 3A 30 30 3x 03	4F 4B	OK	0-4	30 = Standard 31 = Music 32 = Movie 33 = Sport 34=User
		Get Sound mode	R	02 53 4E 44 3A 3F 03	02 xx 03	Only second nibble of Byte	0-4	0 = Standard 1 = Music 2 = Movie 3 = Sport 4=User

Default Port settings > Baudrate: 115200, Bits:8,Parity: None, Stopbit:1								
Commands	Keys	Menu	W	02 4B 45 59 3A 30 31 34 03	4F 4B	OK		
		Home	W	02 4B 45 59 3A 30 36 30 03	4F 4B	OK		
		Back	W	02 4B 45 59 3A 30 31 36 03	4F 4B	OK		
		Screenshot	W	02 4B 45 59 3A 30 36 32 03	4F 4B	OK		
		Input key	W	02 4B 45 59 3A 30 32 32 03	4F 4B	OK		
		Infor Key	W	02 4B 45 59 3A 30 32 34 03	4F 4B	OK		
		1	W	02 4B 45 59 3A 30 30 31 03	4F 4B	OK		
		2	W	02 4B 45 59 3A 30 30 32 03	4F 4B	OK		
		3	W	02 4B 45 59 3A 30 30 33 03	4F 4B	OK		
		4	W	02 4B 45 59 3A 30 30 34 03	4F 4B	OK		
		5	W	02 4B 45 59 3A 30 30 35 03	4F 4B	OK		
		6	W	02 4B 45 59 3A 30 30 36 03	4F 4B	OK		
		7	W	02 4B 45 59 3A 30 30 37 03	4F 4B	OK		
		8	W	02 4B 45 59 3A 30 30 38 03	4F 4B	OK		
		9	W	02 4B 45 59 3A 30 30 39 03	4F 4B	OK		
		0	W	02 4B 45 59 3A 30 30 30 03	4F 4B	OK		
		OK	W	02 4B 45 59 3A 30 31 35 03	4F 4B	OK		
			W	02 4B 45 59 3A 30 31 39 03	4F 4B	OK		
			W	02 4B 45 59 3A 30 32 30 03	4F 4B	OK		
	W	02 4B 45 59 3A 30 31 37 03	4F 4B	OK				
	W	02 4B 45 59 3A 30 31 38 03	4F 4B	OK				
Lock Options	Touch	Touch Lock	W	02 55 53 57 3A 30 30 34 03	4F 4B	OK		
		Touch Unlock	W	02 55 53 57 3A 30 30 35 03	4F 4B	OK		
		Get Touch Lock Status	R	02 55 53 57 3A 3F 03	02 xx 03	Only second nibble of byte	4-5	4 = Touch Lock ON 5 = Touch Lock OFF
	Keypad	Keypad Lock	W	02 55 41 44 3A 30 30 31 03	4F 4B	OK		
		Keypad Unlock	W	02 55 41 44 3A 30 30 30 03	4F 4B	OK		
		Get Keypad Lock Status	R	02 50 41 44 3A 3F 03	02 xx 03	Only second nibble of byte	0-1	0 = Keypad lock OFF 1 = Keypad Lock ON
	Remote	Remote Lock	W	02 49 52 4C 3A 30 30 31 03	4F 4B	OK		
		Remote Unlock	W	02 49 52 4C 3A 30 30 30 03	4F 4B	OK		
		Get Remote Lock Status	R	02 49 52 4C 3A 3F 03	02 xx 03	Only second nibble of byte	0-1	0 = Remote Lock OFF 1 = Remote Lock ON
Screen Info	Lan	Get Ethernet Mac Adress	R	02 4D 41 43 3A 3F 03	4D 41 43 3A xx xx xx xx xx xx xx	MAC: ,adres'		ex: 0:15:45:F3:12:BA
	Software	Get Software Version	R	02 46 56 52 3A 3F 03	46 56 52 3A xx xx xx xx xx xx xx	FVR: ,version'		ex: FVR:568PH0009A 1002
		Get Software Date	R	02 46 56 54 3A 3F 03	46 56 54 3A xx xx xx xx xx xx xx	FVT: ,date'		ex: FVT:20200218
		Get Model	R	02 4D 44 54 3A 3F 03	4D 44 54 3A xx xx xx xx xx xx xx	MDT: ,model'		ex: MDT:Legamaster ETX6520 e-Screen
	Panel	Get Panel ID	R	02 50 49 44 3A 3F 03	02 xx xx xx 03	Only second nibble of each byte		Example: if ID =16 xx xx xx = 016
		Get Panel information	R	02 50 4E 4C 3A 3F 03	50 4E 4C 3A xx xx xx xx xx xx xx xx	PNL: ,panel'		panel in ascii
	Time	Get Total Work Time	R	02 53 53 53 3A 3F 03	53 53 53 3Axx xx xx xx xx 3A xx xx 3A xx	SSS: ,hours': inute': ,seconds'		SSS:00101:44:07

## 10. TROUBLESHOOTING

FOR FREQUENTLY ASKED QUESTIONS, TROUBLESHOOTING AND TIPS AND TRICKS, PLEASE VISIT:

[www.faq.legamaster.com](http://www.faq.legamaster.com)

## 11. COMPLIANCE

**FCC:**

FCC CFR Title 47  
part 15 Subpart B.

**CB:**

IEC62368-1

**CE:**

EN55032  
EN55035  
EN61000-3-2  
EN61000-3-3  
EN62368

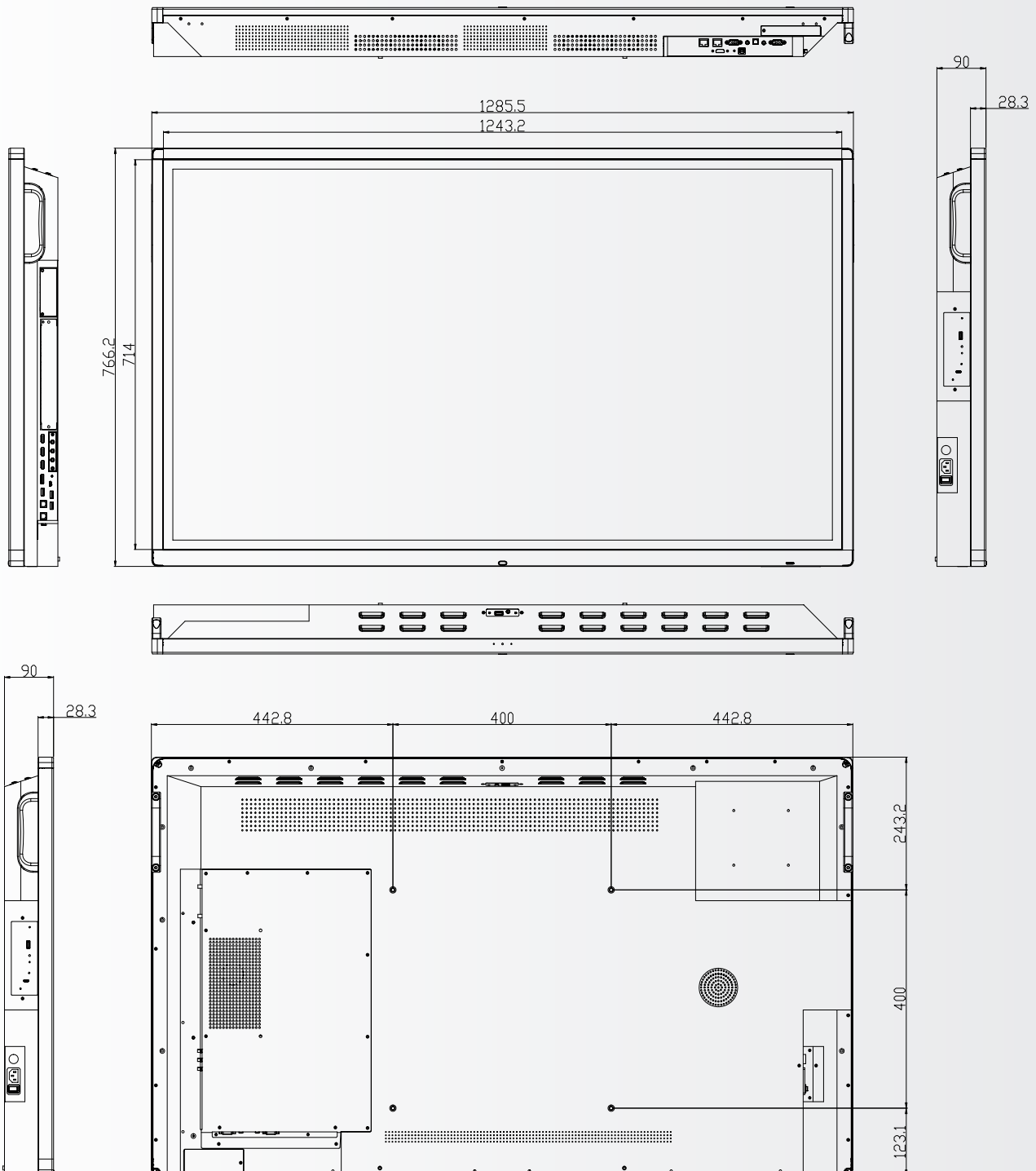


## 12. APPENDIX

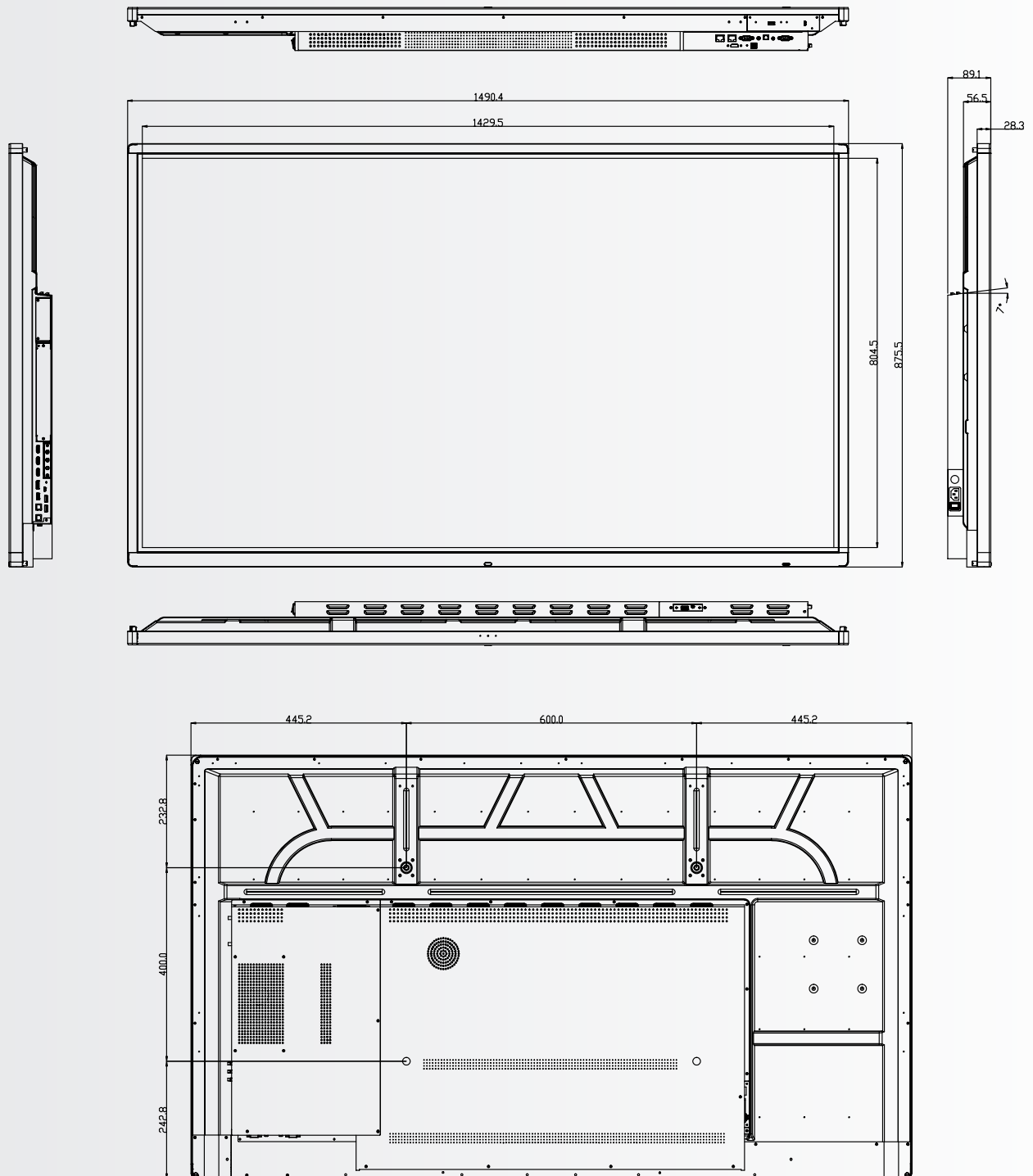
### 12.1. DIMENSIONS

The following illustration shows the overall dimensions of the display:

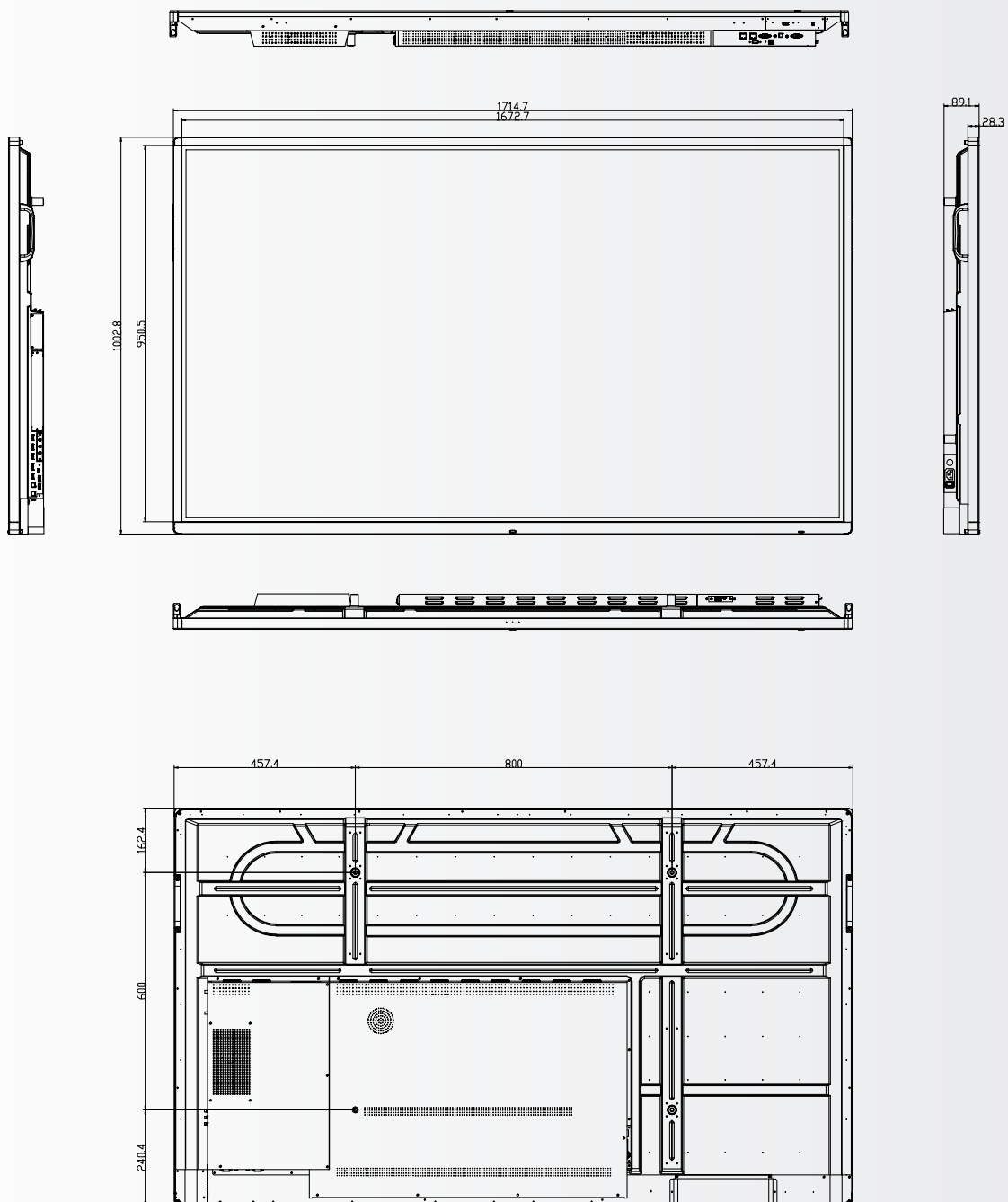
#### ETX-5520



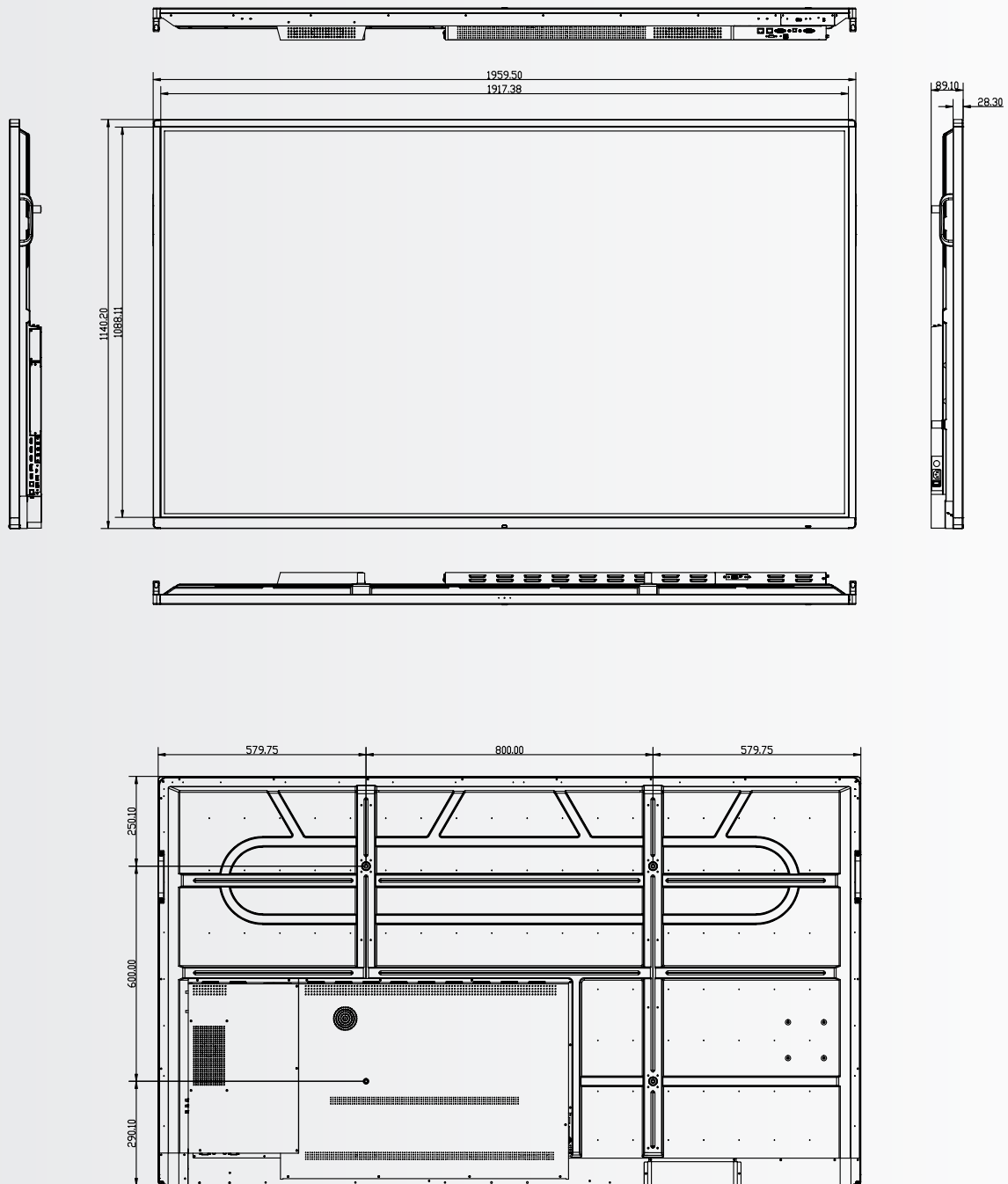
## ETX-6520



## ETX-7520



## ETX-8620



## 13. ACCESSORIES

### 13.1. EASYFIX VIDEO CONFERRING UNIT

Instantly turns the ETX e-Screen into a full video conferencing screen.

#### 13.1.1 Specifications

- Camera resolution: 1920x1080 / 1280x720 @ 30 hz
- Pixels: 2 million
- Angle (diagonal): 85°
- 4 microphone array, Voice pick-up distance up to 8 meters
- Automatic Echo Cancellation
- Power: DC 5V±0.2V, 60 Hz // 370 mA
- Supported operating systems: Windows / Android

#### 13.1.2 Installation

- Use the 2 screws and fix the unit to the top bezel of the ETX-XX20 (PLUS) e-Screen
- Plug the USB cable into the upper USB-slot (No. 20)
- Plug the audio-cable into the upper audio-in port (No. 21)

#### 13.1.3 Operation

- The unit is plug-and-play, open any application on either Android, OPS or any attached PC.

### 13.2. EASYFIX PROXIMITY SENSOR

Allow the ETX e-Screen to switch between sleep and wake based on room presence

#### 13.2.1 Specifications

- Detection method: Infrared
- Detection angle: 100°
- Detection range: 5-7 m
- DC 5V±0.5V
- Connection: USB-A

#### 13.2.2 Installation

- Plug the unit into the USB-A port located on the lower bezel of the screen, or (ETX-5520 only) on the left side of the screen.
- Fix the unit onto the screen using the 2 screws supplied

#### 13.1.3 Operation

The unit is plug-and-play. The unit is controlled by the below settings, found in the settings menu of the ETX-XX20 e-Screen. Navigate to the settings-menu. In the 'system' part of the settings menu, press power:

- Enable the 'motion wake-up' setting to allow the proximity sensor to switch the ETX e-Screen from sleep to working mode
- Use the 'motion detection' setting to allow the ETX e-Screen to switch itself to sleep mode when no presence is detected in the field of view of the proximity sensor for a certain amount of time.



## DEUTSCH

### INHALTSVERZEICHNIS

1. Wichtige Hinweise .....	31
1.1. Benutzung .....	31
1.2. Haftungsausschluss .....	31
2. Sicherheitsvorschriften .....	32
2.1. Vorsichtsmaßnahmen zur Sicherheit .....	32
2.2. Hinweise zum Transportieren und Tragen des Gerätes .....	33
2.3. Installation .....	33
2.4. Sicherheitshinweise für die Wandmontage .....	34
2.5. Empfehlungen für die Benutzung .....	35
2.6. Reinigung .....	36
3. Packungsinhalt .....	37
3.1. Auspacken .....	37
3.2. Mitgeliefertes Zubehör .....	37
4. Installation .....	37
4.1. Umgebungsbedingungen .....	37
4.2. Allgemeine Übersicht über den Balken .....	38
4.3. Tabelle [der Ein- und Ausgangsanschlüsse] .....	40
4.4. Fernbedienung .....	40
5. Betrieb .....	41
5.1. Ein- und Ausschalten der Anzeige .....	42
5.2. Schnellstart-Menü .....	42
5.3. Float menu .....	43
5.4. Settings menu .....	43
5.5. Aktualisierung des Bildschirms .....	46
5.6. Android aktivieren/deaktivieren .....	46
6. Touch-Bedienung .....	46
7. Technische Daten .....	47
8. Unterstützte Taktfrequenzen .....	49
9. Serielle Befehle .....	49
9.1. Serielle Kommunikation .....	49
9.2. RS-232-Anschluss und Port-Konfiguration .....	49
9.3. RS232 Interface .....	50
10. Fehlersuche .....	52
11. Konformität .....	52
12. Anhang .....	53
12.1. Abmessungen .....	53
13. Zubehör .....	57
13.1. EasyFix Video Conferencing Unit .....	57
13.2. EasyFix Proximity Sensor .....	57

## 1. WICHTIGE HINWEISE



### WARNHINWEIS:

UM EINEN BRAND ODER STROMSCHLAG ZU VERMEIDEN, DARF DAS GERÄT NIEMALS DEM REGEN ODER DER FEUCHTIGKEIT AUSGESETZT WERDEN. DER VERPOLUNGSSICHERE STECKER DIESES GERÄTES DARF NIEMALS AN DIE ANSCHLUSSBUCHSE EINES VERLÄNGERUNGSKABELS ODER ANDERE STECKDOSEN ANGESCHLOSSEN WERDEN, WENN DIE KONTAKTSTIFTE NICHT VOLLSTÄNDIG EINGESTECKT WERDEN KÖNNEN.

ÖFFNEN SIE NIEMALS DAS GEHÄUSE DES GERÄTES, DA ES HOCHSPANNUNGSKOMPONENTEN ENTHÄLT.



### VORSICHT:

UM DIE GEFAHR EINES STROMSCHLAGS ZU VERMEIDEN, ZIEHEN SIE STETS DAS NETZKABEL VON DER WANDSTECKDOSE AB. UM DAS GERÄT VOLLSTÄNDIG VOM NETZ ZU TRENNEN, ZIEHEN SIE BITTE DAS NETZKABEL VON DER NETZSTECKDOSE AB. NIEMALS DIE ABDECKUNG (ODER RÜCKSEITE) DES GERÄTES ABNEHMEN. IM GERÄT BEFINDEN SICH KEINE TEILE, DIE VOM BENUTZER GEWARTET WERDEN KÖNNEN. LASSEN SIE WARTUNGSARBEITEN NUR VON QUALIFIZIERTEM SERVICEPERSONAL AUSFÜHREN.

### 1.1. BENUTZUNG

- Das Produkt aufrecht in geeigneter Verpackung transportieren. Das Produkt nicht mit der Anzeigefläche nach oben oder unten abstellen. Mit Vorsicht zu handhaben!
- Verwenden Sie kein statisches (unbewegliches) Bild auf diesem e-Screen, da dies zum 'Einbrennen' oder zu Nachbildefeffekten führen kann.
- "Einbrennen" und/oder Nachbildefeffekte sind nicht von der Garantie abgedeckt.
- Achten Sie auf einen regelmäßigen Wechsel des Bildes auf dem e-Screen. Es wird empfohlen, innerhalb eines Zeitraums von 24 Stunden den e-Screen nach 16 Stunden Betrieb mindestens 6 Stunden lang ausgeschaltet zu lassen, um Nachbildefeffekte zu vermeiden.

### 1.2. HAFTUNGSAUSSCHLUSS

- Von der Produktgarantie ausgenommen sind Schäden, die durch Naturkatastrophen (Erdbeben, Gewitter usw.), Feuer, Handlungen von Dritten, Unfälle, vorsätzlichen Fehlgebrauch oder Verschulden des Benutzers oder durch Benutzung unter ungeeigneten Bedingungen verursacht wurden.
- Von der Produktgarantie ausgenommen sind Nebenschäden (wie der Verlust von Gewinnen, Betriebsunterbrechungen, Veränderung oder Löschung von aufgezeichneten Daten usw.), die durch die Nutzung oder Unfähigkeit zur Nutzung dieses Produkts verursacht wurden.
- Von der Produktgarantie ausgenommen sind Schäden, die durch unsachgemäßen Betrieb oder durch Nichtbeachtung der Anweisungen im Benutzerhandbuch entstanden sind.
- Von der Produktgarantie ausgenommen sind Schäden, die durch Fehlgebrauch oder Fehlfunktionen bei gleichzeitiger Benutzung des Produktes und der angeschlossenen Ausrüstung oder Software verursacht wurden.
- Von der Produktgarantie ausgenommen sind alle Schäden, die durch Nichtbeachtung der Installationsanweisungen verursacht wurden.
- Von der Produktgarantie ausgenommen sind alle durch unsachgemäße Installation verursachten Schäden.
- Von der Produktgarantie ausgenommen sind alle Schäden, die durch eine von nicht autorisierten Servicezentren oder unbefugten Personen durchgeführte Demontage, Veränderung oder Reparatur verursacht wurden.

## 2. SICHERHEITSVORSCHRIFTEN

Bitte lesen Sie dieses Benutzerhandbuch sorgfältig durch, bevor Sie den e-Screen in Betrieb nehmen. So vermeiden Sie Schäden an eigenem oder fremdem Eigentum und sorgen für Ihre persönliche Sicherheit und die anderer Personen.

- Lesen und befolgen Sie alle Anweisungen und Sicherheitswarnungen in diesem Handbuch.
- Zur Installation oder Anpassung folgen Sie bitte den Anweisungen in diesem Handbuch. Sämtliche Wartungsarbeiten dürfen nur von qualifiziertem Fachpersonal ausgeführt werden.

### 2.1. VORSICHTSMASSNAHMEN ZUR SICHERHEIT

**Wenn Rauch oder ein eigenartiger Geruch aus dem e-Screen strömt, ziehen Sie unverzüglich den Netzstecker aus der Steckdose.**

Bei Nichtbeachtung besteht die Gefahr eines Brandes oder Stromschlags. Wenden Sie sich zur Überprüfung des Gerätes an Ihren Händler.

**Wenn bei eingeschaltetem e-Screen kein Bild erscheint, ziehen Sie unverzüglich den Netzstecker aus der Steckdose.**

Bei Nichtbeachtung besteht die Gefahr eines Brandes oder Stromschlags. Wenden Sie sich zur Überprüfung des Gerätes an Ihren Händler.

**Wenn Wasser oder Gegenstände in den e-Screen gelangt sind, ziehen Sie unverzüglich den Netzstecker aus der Steckdose.**

Bei Nichtbeachtung besteht die Gefahr eines Brandes oder Stromschlags. Wenden Sie sich zur Überprüfung des Gerätes an Ihren Händler.

**Wenn der e-Screen fallen gelassen wurde oder das Gehäuse beschädigt worden ist, ziehen Sie unverzüglich den Netzstecker aus der Steckdose.**

Bei Nichtbeachtung besteht die Gefahr eines Brandes oder Stromschlags. Wenden Sie sich zur Überprüfung des Gerätes an Ihren Händler.

**Wenn das Netzkabel oder der Stecker beschädigt ist oder sich stark erhitzt, schalten Sie das Gerät über den Netzschalter aus. Vergewissern Sie sich, dass der Stecker sich abkühlt und ziehen Sie das Netzkabel aus der Steckdose.**

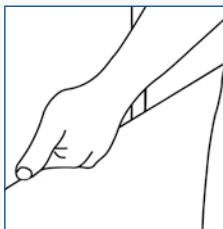
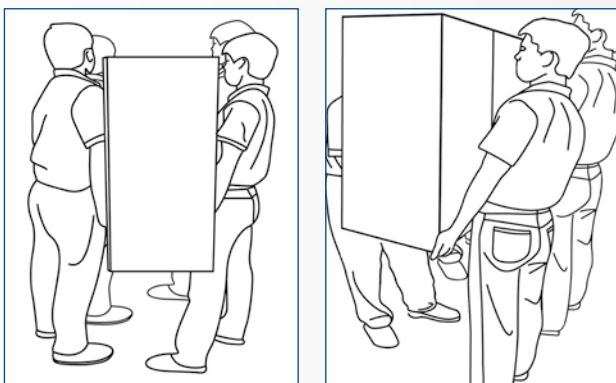
Wird der e-Screen in diesem Zustand weiter benutzt, besteht die Gefahr eines Brandes oder Stromschlags. Wenden Sie sich wegen eines Austauschs an Ihren Händler.



## 2.2. HINWEISE ZUM TRANSPORTIEREN UND TRAGEN DES GERÄTES

### Transportieren des Produktes:

Zum Transportieren des Produktes werden mindestens vier Personen benötigt. Versuchen Sie nicht, das Produkt alleine zu transportieren. Es besteht die Gefahr, dass der Monitor fallengelassen wird und/oder Sie sich ernsthaft verletzen. Beim Transportieren eines Monitors in der Originalverpackung halten Sie den Karton bitte an den weißen Griffen.



### Tragen des Produktes:

Dieses Produkt ist schwer. Bitte wenden Sie die richtige Hebeteknik an, wie unten dargestellt. So vermeiden Sie Verletzungen.



## 2.3. INSTALLATION

### Das Gerät nicht in Räumen mit hoher Temperatur installieren.

Bei einer Benutzung des e-Screen in sehr warmen Räumen oder unter direkter Sonneneinstrahlung kann es zu Verformungen oder Beschädigungen des Gehäuses oder anderer Bauteile kommen. Dies kann zu Überhitzung oder Stromschlag führen.

### Das Gerät nicht in Räumen mit hoher Luftfeuchtigkeit installieren.

Dies kann zu Überhitzung oder Stromschlag führen.

### Installieren Sie das Gerät nicht in der Nähe von Wärmequellen, wie Heizkörpern, Warmluftauslässen, Öfen oder anderen Wärme erzeugenden Geräten.

Es besteht die Gefahr eines Brandes oder Stromschlags.

### Steckdosen oder Kabel nicht über die elektrische Leistungsgrenze hinaus belasten.

Benutzen Sie keine Verlängerungskabel, da die Gefahr eines Brandes oder Stromschlags besteht.

### Schließen Sie den Netzstecker nur an Steckdosen mit 100~240V Wechselspannung an.

Andernfalls besteht die Gefahr eines Brandes oder Stromschlags.

- Benutzen Sie niemals beschädigte Netzstecker oder abgenutzte Steckdosen.
- Benutzen Sie keine ungeeigneten Netzstecker, da die Gefahr eines Brandes oder Stromschlags besteht.

### Stellen Sie den e-Screen nicht auf instabile Regalböden oder Flächen.

Er könnte herunterfallen und dadurch Schäden/Verletzungen verursachen. Installieren Sie das Gerät nur auf einer waagerechten, stabilen und ebenen Fläche.

### Stellen Sie keine Gegenstände auf den e-Screen.

- Bei zugedektem e-Screen oder blockierten Lüftungsöffnungen kann durch die Überhitzung des Gerätes ein Brand verursacht werden.
- In den e-Screen gelangte Flüssigkeit oder Metallteile können einen Brand oder Stromschlag verursachen.
- Niemals schwere Gegenstände auf den e-Screen stellen. Sie könnten herunterfallen und Schäden/Verletzungen verursachen.
- Um eine ausreichende Belüftung zu gewährleisten, zwischen Monitor, Wand und/oder anderen Gegenständen einen Mindestabstand von 10 cm einhalten.

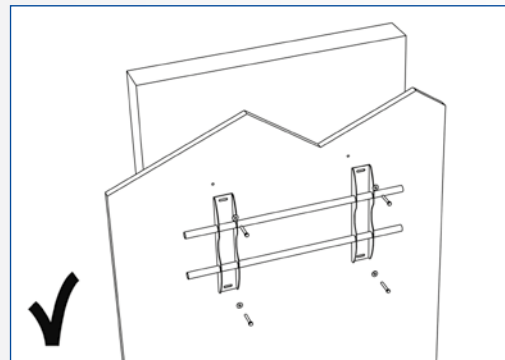
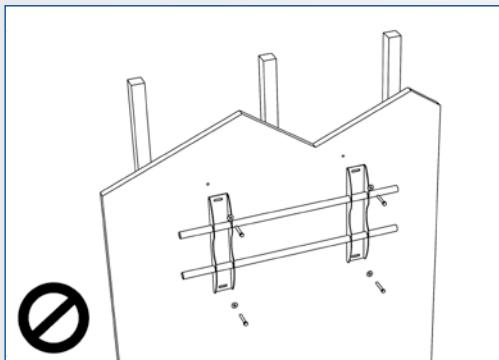
# SICHERHEITSVORSCHRIFTEN

## Den e-Screen nicht bewegen, wenn das Netzkabel und die AV-Kabel angeschlossen sind.

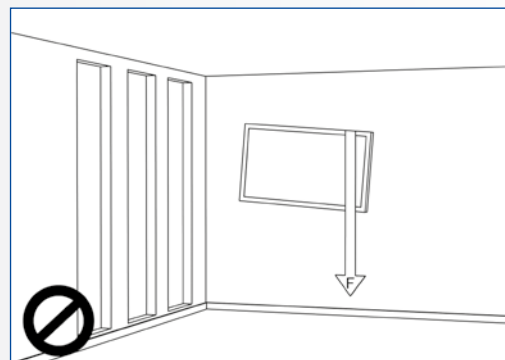
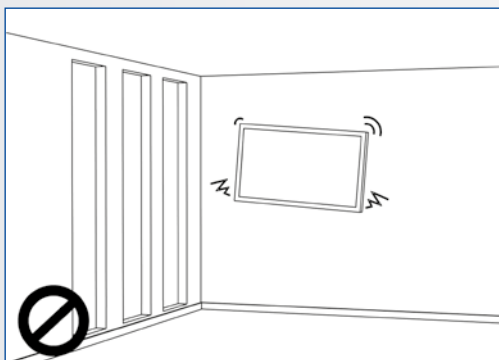
- Wenn der e-Screen bewegt werden muss, ziehen Sie unbedingt vorher den Netzstecker und die Kabel ab.
- Zum Auspacken oder Tragen des e-Screen werden mindestens 4 Personen benötigt. Achten Sie darauf, dass der e-Screen in aufrechter Position getragen wird.
- Transportieren Sie den e-Screen aufrecht. Den e-Screen nicht mit der Anzeigefläche nach oben oder unten abstellen.
- Den e-Screen vorsichtig behandeln. Nicht fallen lassen.

## 2.4. SICHERHEITSHINWEISE FÜR DIE WANDMONTAGE

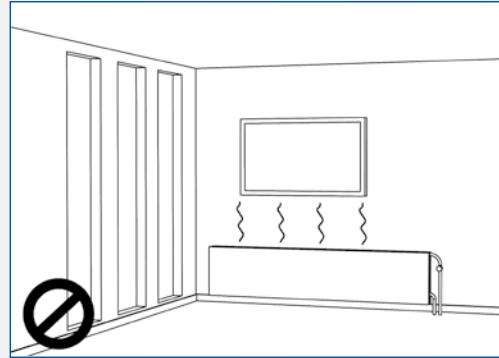
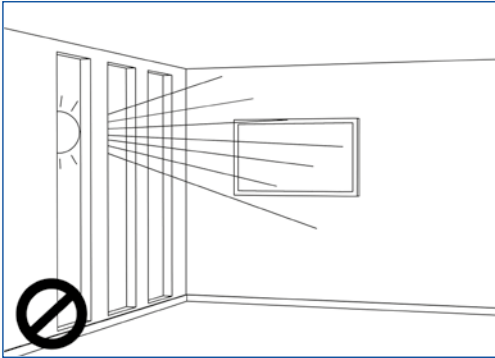
1. Vergewissern Sie sich, dass die Klemme an einer festen Wand / einem soliden Pfeiler angebracht ist. Andernfalls könnte der Monitor aufgrund seines hohen Gewichts herunterfallen.



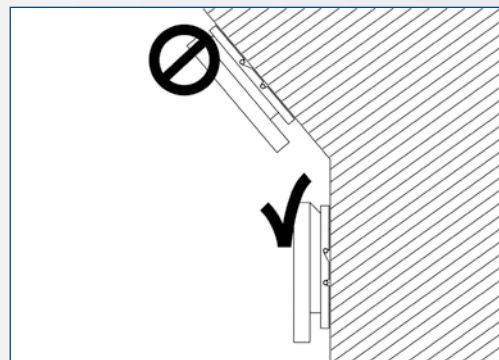
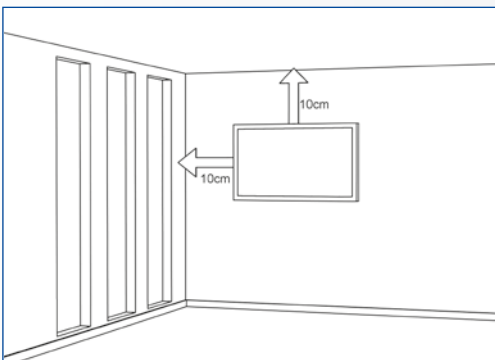
2. Nach der Montage den Bildschirm nicht stark ziehen, stoßen oder schütteln.



3. Bildschirme nicht an Orten installieren, wo sie direktem Sonnenlicht, Feuchtigkeit oder hohen Temperaturen ausgesetzt sind.



4. Bildschirme immer mit mehr als 10 cm Abstand von Wänden, Decken oder anderen Hindernissen installieren. Bildschirme immer senkrecht zum Boden anbringen.



## 2.5. EMPFEHLUNGEN FÜR DIE BENUTZUNG

**Wenn während der Installation ein Problem auftritt, wenden Sie sich bitte an Ihren Lieferanten. Sie dürfen den e-Screen nicht selbst reparieren oder öffnen.**

Bei Nichtbeachtung besteht die Gefahr eines Brandes oder Stromschlags. Wenden Sie sich zur Überprüfung des Gerätes an Ihren Händler.

**Achten Sie auf den Schutz und die richtige Benutzung des Netzkabels/-steckers.**

- Das Netzkabel/den Netzstecker nicht zwischen harte Oberflächen einklemmen.
- Nicht auf das Netzkabel/ den Netzstecker treten.
- Schließen Sie zuerst das Netzkabel an den Monitor an. Erst danach stecken Sie den Netzstecker in die Steckdose.
- Die Verwendung von beschädigten oder nicht originalen Netzkabeln kann den Bildschirm beschädigen, Brände oder Stromschläge verursachen.

**Benutzung von Verlängerungskabeln (nicht empfohlen)**

Wenn ein Verlängerungskabel benutzt werden muss, vergewissern Sie sich, dass die Betriebsspannung größer als die maximale Leistungsaufnahme des Monitors ist. Andernfalls wird das Verlängerungskabel zu heiß.

**Den Bildschirm nicht bei Gewitter benutzen.**

Ziehen Sie den Netzstecker aus der Steckdose.

## **Benutzen Sie am e-Screen keine Flüssigkeiten.**

- Wenn Flüssigkeit auf dem e-Screen verschüttet wurde, ziehen Sie den Netzstecker aus der Steckdose und bitten Sie einen qualifizierten Servicetechniker, das Produkt zu überprüfen.
- Wenn Flüssigkeit auf den Bildschirm des Monitors gelangt ist, reinigen Sie ihn bitte sofort mit einem trockenen weichen Tuch.
- Benutzen Sie für den e-Screen keine Chemikalien.
- In den e-Screen gelangte Flüssigkeit oder Metallteile können einen Brand oder Stromschlag verursachen.

## **Den Netzstecker niemals mit nassen Händen installieren oder abziehen.**

Es besteht die Gefahr eines Stromschlags.

## **Wenn der e-Screen über längere Zeit nicht benutzt wird, ziehen Sie die Stecker ab.**

So vermeiden Sie vorzeitigen Verschleiß der elektrischen Bauteile und Brandgefahr.

## **Den e-Screen vorsichtig behandeln, um Glasbruch zu vermeiden.**

- Wenn das Glas des e-Screens gebrochen ist, kann Flüssigkeit austreten. Diese Flüssigkeit bitte nicht berühren.
- Wenn diese Flüssigkeiten mit Haut oder Augen in Berührung kommen, sofort mit sauberem Wasser abwaschen und ärztliche Hilfe aufsuchen.

## **Vorsichtsmaßnahmen für die Batterien der Fernbedienung**

- Bitte verwenden Sie nur zugelassene Batterien vom Typ AAA.
- Achten Sie auf das richtige Einlegen der Batterien: Das mit + bzw. mit - markierte Ende muss an der entsprechenden Seite eingesetzt werden.
- Batterien nicht aufladen, erhitzen, demontieren, kurzschließen oder ins Feuer werfen.
- Verwenden Sie niemals eine neue Batterie zusammen mit einer gebrauchten. Unterschiedliche Batterietypen niemals mischen (nur den angegebenen Typ verwenden).

## 2.6. REINIGUNG

### **Ziehen Sie vor dem Reinigen den Netzstecker ab.**

Bei Nichtbeachtung besteht die Gefahr eines Stromschlags oder einer Beschädigung.

### **Reinigen der Screen-Oberfläche**

- Wenn die Bildschirmoberfläche des e-Screen verschmutzt ist, leicht mit einem sauberen, weichen Tuch abreiben.
- Bei hartnäckigen Verschmutzungen das Tuch leicht befeuchten.

- Es dürfen keine Flüssigkeiten in den e-Screen gelangen, da die Gefahr eines Stromschlags oder einer Beschädigung besteht.
- Den e-Screen nicht mit Alkohol, Lösungsmitteln oder Ammoniak reinigen, da diese Stoffe den e-Screen beschädigen könnten.

## 3. PACKUNGSIHALT

### 3.1. AUSPACKEN

- Zur Verpackung des e-Screen werden Schutzpolster verwendet, die den Monitor beim Transport schützen.
- Bereiten Sie vor dem Auspacken eine stabile, ebene und saubere Fläche in der Nähe einer Wandsteckdose vor.
- Bringen Sie den Karton in eine aufrechte Position und öffnen Sie den Karton an der Oberseite, bevor Sie die oberen Schutzpolster herausnehmen.
- Schritt 1: Weißen Griff entfernen und die Bänder durchschneiden
- Schritt 2: Oberes Schutzpolster entfernen und Zubehörtasche herausnehmen.

### 3.2. MITGELIEFERTES ZUBEHÖR

Elemente
OSD-Infrarot-Fernbedienung (Batterien im Lieferumfang)
HDMI-Kabel
USB-Kabel, Typ B-zu-A
Netzkabel
2-in-1 stylus
2 x High precision stylus
Easyfix Cable clip
USB-Laufwerk mit Benutzerhandbuch, UPDD-Treiber (für Apple-Computer) und der neuesten Firmware-Version

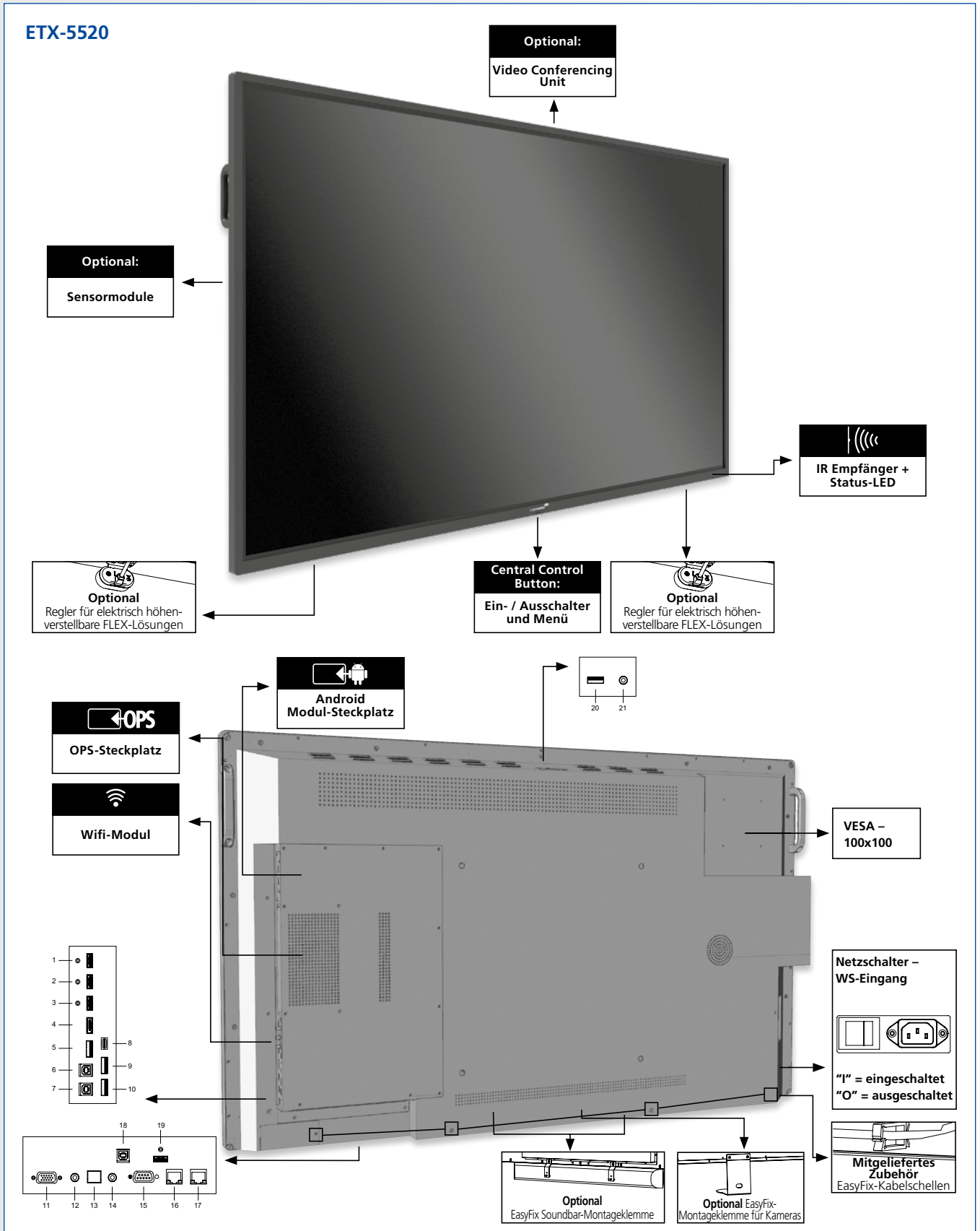
## 4. INSTALLATION

### 4.1. UMGEBUNGSBEDINGUNGEN

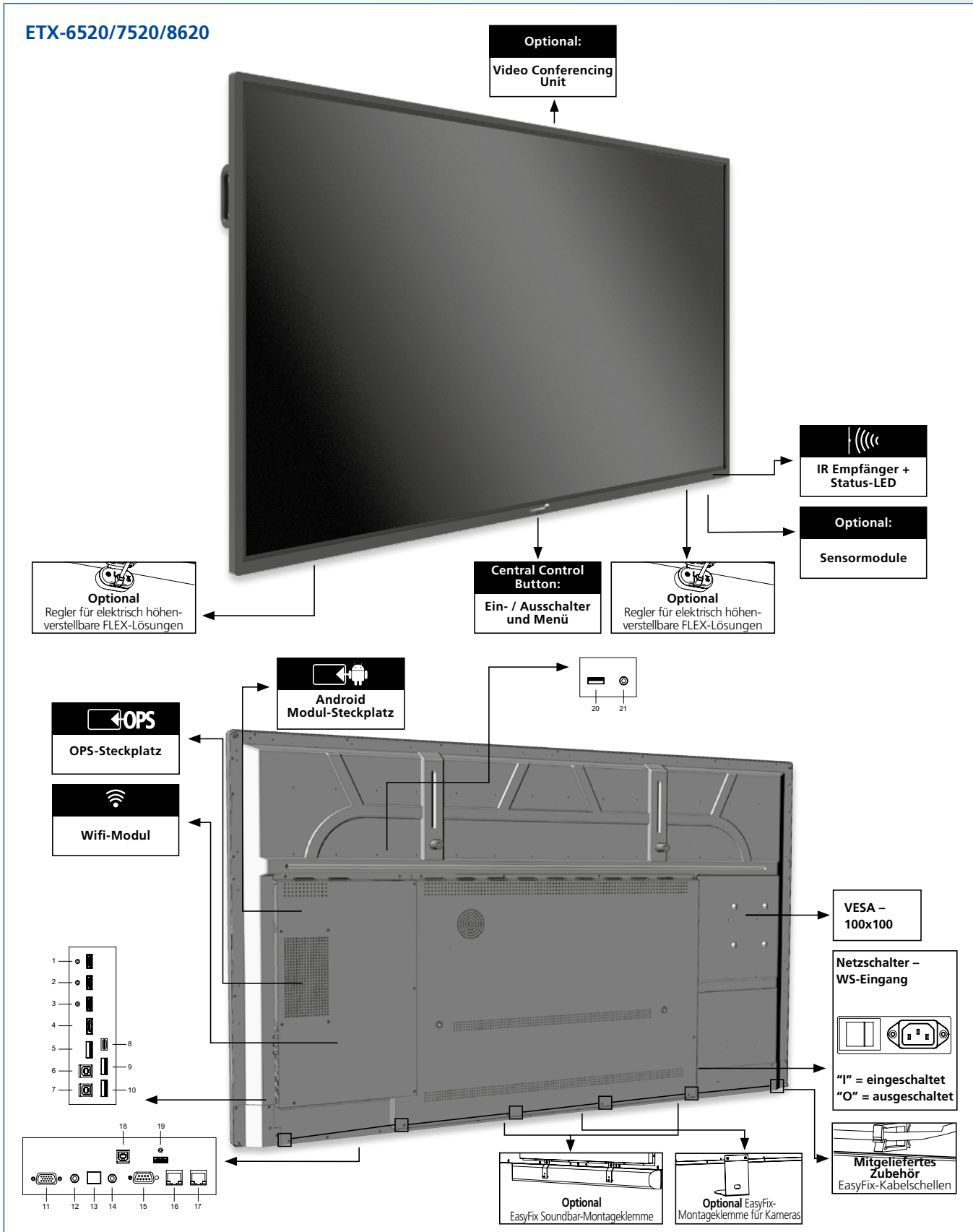
Für den Betrieb des Bildschirms gelten die folgenden Umgebungsbedingungen:

- Betriebstemperatur: 5°C bis 45°C (41°F bis 104°F)
- Luftfeuchtigkeit: weniger als 90% rel. Luftfeuchtigkeit (Max)

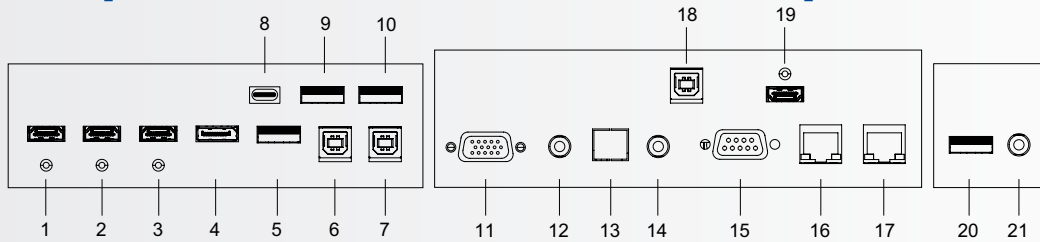
## 4.2. ALLGEMEINE ÜBERSICHT ÜNER DEN BALKEN



ETX-6520/7520/8620

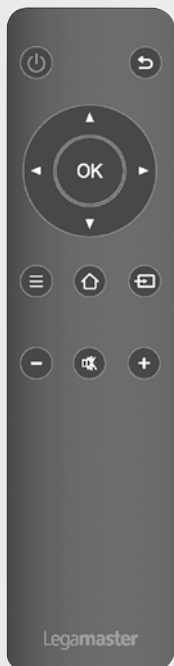


## 4.3. TABELLE [DER EIN- UND AUSGANGSANSCHLÜSSE]



1	<b>HDMI out</b> Über diesen Anschluss kann der e-Screen an einen externen Monitor angeschlossen werden.	11	<b>VGA-Ein (15-Pin D-Sub)</b> Anschluss von Komponenten mit RGB- oder Komponenten-Ausgangsbuchsen, wie Personal Computer
2	<b>HDMI (ARC)</b> HDCP-konformer digitaler Videoeingang für ARC-fähige Geräte	12	<b>PC Audio Ein</b> Zum Anschließen des Audio-Ausgangs von einem Personal Computer.
3	<b>HDMI 2</b> HDCP-konformer digitaler Videoeingang für den Anschluss von HDMI-Quellen	13	<b>SPDIF</b> Zum Anschließen von externen digitalen Aktivlautsprechern oder eines Audio-Receivers/Verstärkers
4	<b>DisplayPort</b> DisplayPort 1.2, 1.1a- und DisplayPort-HDCP 1.1-konformer SD-/HD-Eingang für den Anschluss von SDTV-, EDTV- oder HDTV-Komponenten als Videoquelle.	14	<b>Audio Aus</b> Zum Anschließen von externen Aktivlautsprechern oder eines externen Audio-Receivers/Verstärkers.
5	<b>USB-A 2.0</b> USB-A 2.0-Port zum Anschluss von Geräten über ein USB-Kabel. Wird auch als Wartungsanschluss verwendet.	15	<b>RS-232C</b> Eine 9-polige D-Sub-Anschlussbuchse (weiblich) für die Verbindung mit einem PC oder Steuerungssystem.
6	<b>Touch USB 1</b> Ein Standard-USB-Port (Typ B) für die Touch-Funktion des Monitors. Automatisch verknüpft mit HDMI 1.	16-17	<b>LAN-Port</b> Ein RJ-45-Anschluss für die Verbindung mit einem PC oder Heimkino-Automation/Steuerungssysteme über ein Cat 5-Kabel.
7	<b>Touch USB 2</b> Ein Standard-USB-Port (Typ B) für die Touch-Funktion des Monitors. Verknüpft mit HDMI 2, DP und VGA.	18	<b>Touch USB 3</b> Ein Standard-USB-Anschluss vom Typ B für die Touch-Funktionalität des Displays. Verbunden mit HDMI 3.
8	<b>USB-C</b> Ein USB-C-Anschluss, der die Stromversorgung, USB 3.0 und DisplayPort unterstützt. Bitte stellen Sie sicher, dass zertifizierte Kabel verwendet werden, die diese Funktionen unterstützen.	19	<b>HDMI 3</b> HDCP-konforme digitale Videoeingänge zum Anschluss von HDMI-Quellen.
9-10	<b>USB-A 3.0</b> USB-A 3.0-Port zum Anschluss von Geräten über ein USB-Kabel	20	<b>USB-A 3.0</b> USB 3.0-Anschluss für den Anschluss der EasyFix Video Conferencing Unit
		21	<b>PC Audio In</b> Audio-Eingang zum Anschluss der EasyFix Video Conferencing Unit

## 4.4. FERNBEDIENUNG



Beschriftung	Beschreibung
	Schaltet den Monitor ein und aus
	Zurück/Rückkehr zum vorigen Menü
	Navigationstasten
	Auswählen / Bestätigen (im Menü) oder Freeze press and hold in jeder Quelle außer Android
	Menü
	Home
	Auswahl der jeweiligen Quelle
	Vermindert die Lautstärke
	Schaltet den Ton ab
	Erhöht die Lautstärke



#### 4.4.1. Die Batterie der Fernbedienung auswechseln

##### 1. Batterieabdeckung entfernen

Batterieabdeckung in Pfeilrichtung zurückschieben und abnehmen.

##### 2. Batterien einlegen

Zwei AAA-Batterien entsprechend der Plus- und Minuspolmarkierung (wie in der Fernbedienung angegeben) ausrichten und einlegen.

##### 3. Batterieabdeckung schließen

Batterieabdeckung in Pfeilrichtung wieder einsetzen und einrasten lassen.

- I. Beachten Sie die örtlichen Vorschriften zur Entsorgung gebrauchter Batterien.
- II. Gebrauchte alte Batterien nicht in der Fernbedienung lassen, da sie auslaufen könnten. Dadurch kann sich Rost an Metallteilen bilden und die Fernbedienung irreparabel beschädigt werden.
- III. Batterie immer nach Anweisung benutzen.



**VORSICHT**

##### Hinweise zur Fernbedienung

- Nicht fallen lassen, schütteln oder stoßen.
- Feuchtigkeit, Flüssigkeiten, hohe Temperaturen und / oder direkte Sonneneinstrahlung vermeiden.
- Nicht auseinandernehmen.

## 5. BETRIEB

Bitte aktualisieren Sie den Bildschirm vor der ersten Benutzung auf die neueste Firmware-Version. ETX-e-Bildschirme können auf 2 Arten aktualisiert werden: Over-the-Air (Internetverbindung erforderlich) oder mit Hilfe eines USB-Laufwerks.

Um auf die neueste Firmware-Version zu aktualisieren, öffnen Sie das Schnellstart-Menü durch Drücken der zentralen Steuertaste auf dem e-Screen. Klicken Sie in diesem Menü auf die Schaltfläche „Einstellungen“, um das Einstellungsmenü zu öffnen.

Wählen Sie im Einstellungsmenü ‚Gerät‘ und dann ‚Systemaktualisierungen‘. Der Update-Bereich ist pin-code-geschützt (Standard-Pin = 0000).

1. Lokales Update: Stecken Sie ein USB-Laufwerk mit einer update.zip-Datei (im Lieferumfang des Bildschirms enthalten) in den USB 2.0-Anschluss an der Seite des Bildschirms. Wählen Sie ‚lokales Update‘ und wählen Sie das USB-Laufwerk. Der Aktualisierungsvorgang wird gestartet.
2. Over-the-Air-Aktualisierung: Wählen Sie ‚Online-Aktualisierung‘. Das System prüft, ob eine neue Firmware-Version verfügbar ist. Wenn eine neuere Version verfügbar ist, fordert das System zu einer Aktualisierung auf. Bitte bestätigen Sie, woraufhin der Update-Vorgang beginnt.

FÜR HÄUFIG GESTELLTE FRAGEN BESUCHEN SIE BITTE:

[WWW.FAQ.LEGAMASTER.COM](http://WWW.FAQ.LEGAMASTER.COM)

## 5.1. EIN- UND AUSSCHALTEN DER ANZEIGE

Bitte stellen Sie sicher, dass das Display mit dem mitgelieferten Netzkabel an eine Wechselstrom-Steckdose angeschlossen ist. Stellen Sie den AC-Schalter auf „I“. Der Monitor befindet sich dann im Standby-Modus (durch ein rotes Licht angezeigt).

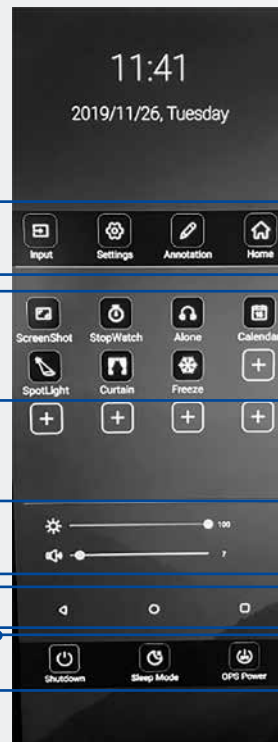
Um die Anzeige einzuschalten, drücken Sie einmal die zentrale Steuertaste oder die Netztaste auf der Fernbedienung.

Um den Monitor auszuschalten, halten Sie die zentrale Steuertaste 2 Sekunden lang gedrückt oder drücken Sie die Einschalttaste der Fernbedienung. Das Display schaltet in den Standby-Modus.

Um den Strom vollständig auszuschalten, stellen Sie den Wechselstromschalter auf „O“ oder ziehen Sie das Netzkabel aus der Steckdose.

## 5.2. SCHNELLSTART-MENÜ

Wenn Sie die zentrale Befehlstaste einmal drücken, öffnet sich das Schnellstart-Menü. Von diesem anpassbaren Menü aus kann schnell auf die am häufigsten verwendeten Funktionen des Bildschirms zugegriffen werden.



- Eingabe: Klicken Sie, um die gewünschte Eingabe / Quelle zu wählen
- Einstellungen: Öffnet das Einstellungsmenü (siehe 5.4)
- Anmerkungs-Werkzeug
- Home: Öffnet die Android-Trägerrakete

- Screenshot: macht sofort einen Screenshot und speichert ihn im Dateisystem oder wenn ein USB-Laufwerk (in einem USB 3.0-Anschluss) an das USB-Laufwerk angeschlossen wird.
- Stoppuhr: Öffnet einen Uhrenbildschirm mit Timer-, Stoppuhr- und Alarmfunktion
- Allein: Schaltet den Bildschirm aus, spielt aber weiterhin Audio ab. Wecken Sie den Bildschirm, indem Sie ihn mit 2 Fingern berühren.
- Kalender: Öffnet einen Kalender.
- Rampenlicht: Aktiviert ein Spotlight. Spotlight kann verschoben, vergrößert oder verkleinert werden.
- Vorhang: Aktiviert die Vorhangfunktion.
- Einfrieren: Friert den Bildschirm ein. Durch erneutes Drücken des Einfrieren-Symbols wird das Einfrieren wieder aufgehoben.

- Helligkeits-Schieberegler
- Volumen-Schieberegler

### Power-Tasten:

- Herunterfahren: Führt den Bildschirm und gegebenenfalls den OPS-computer herunter.
- Ruhemodus: induziert einen Modus, in dem Bildschirm und Audio ausgeschaltet sind, aus dem sich der Bildschirm jedoch durch Berühren des Bildschirms mit 2 Fingern oder durch Drücken der zentralen Steuertaste im Handumdrehen wieder erholen kann.
- OPS-Strom: Schaltet den OPS-computer ein oder aus.

### Action-Tasten:

- < Zurück / vorheriger Bildschirm
- O Home (Startseite des Legamaster-Startprogramms)
- □ im Überblick: Zeigt alle geöffneten Apps an und ermöglicht es den Benutzern, schnell zwischen ihnen zu wechseln oder alle geöffneten Apps auf einmal zu schließen.

### 5.3. FLOAT MENU

Wenn Sie vom unteren Rand des Bildschirms nach oben streichen, erscheint ein float-Menü.



In diesem Float-Menü finden Sie 3 Aktionstasten mit folgender Funktionalität:

- Zurück: bringt Sie zum vorherigen Bildschirm zurück.
- ⦿ Startseite: bringt Sie zurück zum Startbildschirm des Legamaster Launchers
- ▣ Übersicht: Zeigt alle geöffneten Apps an und ermöglicht es den Benutzern, schnell zwischen ihnen zu wechseln oder alle geöffneten Apps auf einmal zu schließen.

### 5.4. SETTINGS MENU

Nachfolgend finden Sie eine vollständige Übersicht über das Einstellungsmenü des ETX-XX20 e-Screen, zusammen mit einer Erklärung der Einstellungen.

MAIN SETTINGS CATEGORY	SETTING CATEGORY	LEVEL1	LEVEL2	VALUES	EXPLANATION
NETWORK & CONNECTED DEVICES	Ethernet	MAC address			shows the MAC address for the wired connection
		IP address			shows the IP address for the wired connection
		Ethernet		ON/OFF	Toggle ethernet-connection on / off for the screen itself. Disabling this does not disable ethernet for the OPS
	Wi-Fi	MAC address			shows the MAC address for the Wi-Fi connection
		IP address			shows the IP address for the Wi-Fi connection
		Wi-Fi		ON/OFF	Toggle Wi-Fi on and off
	Portable hotspot	Hotspot		ON/OFF	Toggle the hotspot-functionality on / off
		Setup Wi-Fi hotspot			Set-up the hotspot
	Bluetooth	MAC address			show the MAC address for the bluetooth adapter
		Blooth		ON/OFF	Toggle bluetooth on/ off, show / connect with available devices
DEVICE	Picture			Standard	Select pre-set picture modes
		Picture mode		Dynamic	
				Soft	
					User
		Power mode		User	Choose a power-mode: User = manual brightness setting, Auto = Automatic brightness setting based on ambient light conditions, balanced = brightness 75, ECO = brightness 50, DCR = 100. Power consumption varies based on these settings.
				Auto	
				Balanced	
				ECO Friendly	
				DCR	
	Color temprature			Standard	Select a color temperature mode
				Cool	
				Warm	
	Eye protect			ON/OFF	Toggle Eye Protect mode on / off. When enabled, the brightness will be reduced when writing.
	Anti blue light			ON/OFF	Toggle Anti blue light on / off. When enabled the amount of blue light will be reduced.
	Backlight			0-100	Manually adjust the brightness. Using this setting will change the power mode setting to ‚Manual‘

MAIN SETTINGS CATEGORY	SETTING CATEGORY	LEVEL1	LEVEL2	VALUES	EXPLANATION		
DEVICE	Picture	Advanced	Contrast	0-100	In Picture mode ,User', use these settings to manually adjust the picture settings		
			Brightness	0-100			
			Saturation	0-100			
			Sharpness	0-100			
			PC mode	PC / Video	Allows switching to Video mode, in which ,Overscan' can be used		
			Display mode	16:9/P2P	Toggle picture aspect mode		
			MEMC	Off/Low/Middle/High	Change the MEMC level		
			Overscan	ON/OFF	toggle between overscan on and off.		
			HDR	ON/OFF	toggle between HDR on and off.		
		VGA auto adjust		toggle VGA auto adjust o / off when receiving a VGA signal			
	Sound	Audio output		Speaker/SPDIF/ARC/Bluetooth	Choose the Audio output		
		Sound mode		Standard/Music/Movie/Sports/User	Select a pre-set sound mode. ,User' allows manual sound settings		
		SPDIF mode		RAW/PCM	Toogle SP/DIF mode between RAW / PCM		
		AVC		ON/OFF	toggle AVC on / off		
		Sound Effect		ON/OFF	toggle sound effect on / off		
		Volume		0-100	set volume		
		Balance		0-100	set balance		
		EQ 120Hz		0-100	Manually adjust settings, when sound mode is set to , User'		
		EQ 500Hz		0-100			
EQ 1.5KHz			0-100				
EQ 5KHz		0-100					
EQ 10KHz		0-100					
SYSTEM	Security	Change password			Change your password		
		Safe mode		ON/OFF	Safe mode password-protects the complete settings menu, file browser and....		
		App lock			Select individual apps that will be password-protected		
		App install/uninstall lock		ON/OFF	App (de)install lock disables (de)installation of apps		
		Touch lock		ON/OFF	Touch lock disables touch functionality		
		Keypad lock		ON/OFF	Keypad lock disables use of the Central Control Button		
		IR lock		ON/OFF	IR lock disables use of the remote control		
		Network lock		ON/OFF	Network lock disables ethernet, Wifi and Bluetooth connections		
	Manage apps	Installed apps			manage user-installed apps(FORCE STOP/UNINSTALL/CLEAR DATA)		
		All apps			manage all apps(FORCE STOP/DISABLE/CLEAR DATA)		
	Power	Power-on / shutdown timer	Shutdown timer			set the shutdown timer	
			Power-on timer			set the power-on timer	
		Power on settings	Power on mode	Direct			set power on mode to direct
				Standby			set power on mode to standby
				Memory			set power on mode to memory
			Power on source	Memory/Android/PC/HDMI1/HDMI2/HDMI3/DP/USB_C/VGA			Choose the source in which the screen powers-on
			Power on volume	Memory/User			Set the power-on volume. In ,User' users can select a power-on volume manually
			Volume setting	0-100			Set the power-on volume
			Boot OPS at power-on	ON/OFF			Choose wether the OPS boots automatically when the screen is power-on
		Wake on lan		ON/OFF		Enable / disable wake on Lan	
		Motion Wake-up		ON/OFF		Enable / disable motion wake-up by the proximity sensor	
		Motion Detection		Off/1/15/30/45/60 minutes		Dis- / enable the proximity sensor to put the screen in sleep mode when no motion is detected by the proximity sensor	
		Shutdown timer		OFF/1/10/20/30/60/90/120/180 minutes		set a shutdown timer	
Auto shutdown		Off/1/3/5/10 minutes		Shuts down the screen when there's no signal			

MAIN SETTINGS CATEGORY	SETTING CATEGORY	LEVEL1	LEVEL2	VALUES	EXPLANATION	
OTHERS	More	Auto sense		OFF/Prompt/Direct	Select the auto sense mode. In auto sense, the screen will detect new active signals and switch to that source automatically (direct), or when confirmed (prompt). When a signal is switched off, autosense will automatically check for other active sources in the sequence OPS slot, HDMI 1, HDMI 2, HDMI 3, DisplayPort, USB C, VGA always ending in the Android launcher (when enabled)	
		Temperature protection		ON/OFF	With temperature protection, a user can set an alarm temperature in which the screen will shutdown automatically	
		Current temperature		0-100	shows the current temperature of the screen	
		Alarm temperature		50-100	set the alarm temperature value. When reached, the screen will automatically shutdown to prevent further temperature increase	
		HDMI	HDMI out		1080p 60Hz/2160p 30Hz/2160p 60Hz	set the HDMI out signal
			HDMI EDID version		EDID 1.4/EDID 2.0	set the HDMI EDID version
		Date & time	Automatic date & time		ON/OFF	Automatic date and time requires an active internet connection. Disabling this setting allows users to manually set the date & time
			Date			Show or set the current date
			Time			show or set the current time
			Time zone			set the time zone
		Use 24-hour format		ON/OFF		Choose between a 12 or a 24 hr time format
			Languages		Deutsch/English/Francais/Nederlands	set the language
		Keyboard & inputs	Current Keyboard			Shows the current keyboard / allows users to switch keyboards
			Android Keyboard (AOSP)			Configure the default (AOSP) keyboard
			Manage keyboards			Manage keyboards
		Individuation	Set wallpaper			change and set the wallpaper
			Set ,no input' wallpater			change and set the no input wallpaper
			Set source label			Label various sources for easier recognition
		Device	Device name			show or change the device name
	Device model				shows the device model	
	System information		Firmware version		shows all system information	
	System Updates		Local update			Updates the systems firmware using a USB-drive
			Online update			Checks for updates online
Reset				restore factory settings. NOTE! This will erase all custom settings, data and custom apps from your system		

## 5.5. AKTUALISIERUNG DES BILDSCHIRMS

Die ETX-xx20 (PLUS) e-Screens können mit einer neuen Firmware-Version aktualisiert werden. Updates können mit einem USB-Laufwerk oder ‚Over-the-Air‘.

### 5.5.1 Aktualisieren des e-Screens mit einem USB-Laufwerk

Laden Sie die Datei update.zip auf ein USB-Laufwerk und stecken Sie sie in den USB 2.0-Anschluss an der Seite des ETX e-Screens. Gehen Sie zu das Einstellungsmenü des ETX e-Screen. Wählen Sie im Abschnitt ‚Andere‘ des Menüs ‚Gerät‘. Wählen Sie ‚Systemaktualisierungen‘ und wählen Sie ‚lokale Aktualisierung‘. Geben Sie den für das System festgelegten Pin-Code ein und wählen Sie dann das USB-Laufwerk mit der Datei update.zip darauf. Folgen Sie den Anweisungen, bis Sie bereit sind. Nach Abschluss des Aktualisierungsvorgangs schalten Sie das System bitte vollständig aus (mit dem AC-Schalter).

### 5.5.2 Aktualisierung des e-Screens „über Funk“.

Stellen Sie sicher, dass der ETX e-Screen eine aktive Internetverbindung hat. Gehen Sie zum Einstellungsmenü des ETX e-Screens. Wählen Sie im Abschnitt ‚Andere‘ des Menüs ‚Gerät‘. Wählen Sie ‚System-Updates‘ und wählen Sie ‚Online-Update‘. Geben Sie ein. den für das System festgelegten Pin-Code. Das System prüft auf verfügbare Aktualisierungen. Wenn eine neuere Firmware-Version verfügbar ist, klicken Sie auf die Schaltfläche ‚Herunterladen‘, um den Aktualisierungsprozess zu starten.

HINWEIS: Bitte überprüfen Sie, ob die korrekte Server-URL eingegeben wurde.

<http://68.66.241.101:8080/ota/upgrade>

Nach Abschluss des Update-Vorgangs schalten Sie das System bitte vollständig aus (mit dem AC-Schalter).

## 5.6. ANDROID AKTIVIEREN/DEAKTIVIEREN

ETX-XX20 (PLUS) e-Screens bieten den Benutzern die Möglichkeit, Android zu deaktivieren. Um Android zu deaktivieren oder zu aktivieren, verwenden Sie die Fernbedienung Steuerung, die mit dem Bildschirm geliefert wird.

(langsam) Drücken Sie: Quelle / Links / Rechts / Plus / Minus

Es erscheint ein Prompt (Android aktivieren); wählen Sie ON, um Android zu aktivieren, drücken Sie OFF, um Android zu deaktivieren.

HINWEIS: Die Deaktivierung von Android schränkt die Funktionalitäten des Bildschirms ein. Auf einige Einstellungen kann nicht zugegriffen werden oder sie können nicht geändert werden. nachdem Android deaktiviert wurde.

## 6. TOUCH-BEDIENUNG

Um verschiedene (aktivierte) Quellen über die Touch-Funktionalität des e-Screens steuern zu können, muss zwischen dem e-Screen und der Quelle eine spezielle Verbindung über ein (mitgeliefertes) USB-Kabel hergestellt werden:

1. Verbinden Sie die Quelle über ein Videokabel (VGA/HDMI/Displayport) mit dem Bildschirm.
2. Verwenden Sie den USB-A-Anschluss des mitgelieferten USB-Kabels für die Quelle und den USB-B-Anschluss für den Bildschirm, um die Verbindung herzustellen.
3. Schalten Sie sowohl den Bildschirm als auch die Quelle ein. Es kann bis zu 5 Sekunden dauern, bis die Touchfunktion aktiv wird.
4. bei Verwendung eines geeigneten USB-C-zu-USB-C-Kabels sind die Video-, Stromversorgungs- und Touch-Konnektivität über 1 Kabel geführt.

## 7. TECHNISCHE DATEN

PRODUKT LOGISTIK	ETX-8620	ETX-7520	ETX-6520	ETX-5520
Abmessung Verpackung (B x H x T)	2139x1363x231	1875x1186x231	1676x1097x231	1414x901x232
Brutto Gewicht	85 kg	75,8 kg	56 kg	45 kg
SAP / EAN (GTIN) / Art.-Nr	868007000 / 8713797092500 / 7-803120-86	868006000 / 8713797092494 / 7-803120-75	868005000 / 8713797092487 / 7-803120-65	868004000 / 8713797092470 / 7-803120-55
PRODUKT SPEZIFIKATIONEN				
Bild diagonale	86" (85.6")	75" (74.52")	65" (64.53")	55" (54.64")
Display	TFT LCD	TFT LCD	TFT LCD	TFT LCD
Display-Auflösung	3840 x 2160 px	3840 x 2160 px	3840 x 2160 px	3840 x 2160 px
Helligkeit	350 cd / m <sup>2</sup>	350 cd / m <sup>2</sup>	350 cd / m <sup>2</sup>	350 cd / m <sup>2</sup>
Kontrastverhältnis	1200 : 1	4000:1	4000:1	4000:1
Reaktionszeit	8 ms	8 ms	9 ms	9 ms
Bildfrequenz	60 Hz	60 Hz	60 Hz	60 Hz
Betrachtungswinkel (H / V)	178° / 178°	178° / 178°	178° / 178°	178° / 178°
Unterstützte Farben	1,07 Mrd. (10-bit)	1,07 Mrd. (10-bit)	1,07 Mrd. (10-bit)	1,07 Mrd. (10-bit)
Hintergrundbeleuchtung	Direct LED	Direct LED	Direct LED	Direct LED
Lebensdauer	> 40.000 Stunden	> 40.000 Stunden	> 40.000 Stunden	> 40.000 Stunden
Bildschirmausrichtung	Querformat	Querformat	Hoch- / Querformat	Hoch- / Querformat
CPU	ARM Cortex A73x2; Cortex A53x2	ARM Cortex A73x2; Cortex A53x2	ARM Cortex A73x2; Cortex A53x2	ARM Cortex A73x2; Cortex A53x2
GPU	G51MP4	G51MP4	G51MP4	G51MP4
Betriebssystem	Android 8.0	Android 8.0	Android 8.0	Android 8.0
Arbeitsspeicher	4 GB	4 GB	4 GB	4 GB
Speicherkapazität	32GB	32GB	32GB	32GB
Touch-Technologie	High Precision Advanced Infrarot	High Precision Advanced Infrarot	High Precision Advanced Infrarot	High Precision Advanced Infrarot
Anzahl Berührungspunkte	32 Punkte Ø5 Punkt Ø3mm	32 Punkte Ø5 Punkt Ø3mm	32 Punkte Ø5 Punkt Ø3mm	32 Punkte Ø5 Punkt Ø3mm
Reaktionszeit	<= 10 ms	<= 10 ms	<= 10 ms	<= 10 ms
Mindest-Eingabegröße	>= Ø 3 mm	>= Ø 3 mm	>= Ø 3 mm	>= Ø 3 mm
Berührungsauflösung	32771 x 32768 px	32770 x 32768 px	32769 x 32768 px	32768 x 32768 px
Eingangsanschlüsse	HDMI 2.0 ARC x 1, HDMI 2.0 x 2, DisplayPort x 1, USB-A 3.0 x 3 + 2.0 x 1, USB-C x 1, VGA + 3,5mm Audio-In x 1, RS-232C x 1, LAN RJ45 x 2			
Ausgangsanschlüsse	HDMI (4k@60Hz) x 1, Optical (SPDIF) out x 1, 3,5mm Audio-Out x 1, Touch-out USB-B x 3			
OPS-Steckplatz	Ja	Ja	Ja	Ja
Android-Steckplatz	Ja	Ja	Ja	Ja
Wifi (steckbares/ausnehmbares Modul)	802.11a/b/g/n/ac, Bluetooth v. 5			
Lautsprecher	15 W x 2 / 8 Ω	15 W x 2 / 8 Ω	15 W x 2 / 8 Ω	15 W x 2 / 8 Ω
Subwoofer	15 W	15 W	15 W	15 W
Abmessung (B x H x T)	1959,5x1140,2x89,3 mm	1714,7x1002,8x89,3 mm	1490,5x875,5x89,3 mm	1285,5x766,2x90 mm
Nettogewicht	66 kg	55,9 kg	43 kg	34,3 kg
Montageschnittstelle	VESA 600 x 800 (mm), M8 Schraube VESA 400 x 600 Adapter vormontiert		VESA 400 x 600 (mm), M8 Schraube	VESA 400 x 400 mm, M8 Schraube
Glas	4mm Tempered Anti-Glare		4mm Tempered Anti-Glare	4mm Tempered Anti-Glare
Stromversorgung	AC 100-240 V 50 / 60 Hz	AC 100-240 V 50 / 60 Hz	AC 100-240 V 50 / 60 Hz	AC 100-240 V 50 / 60Hz
Stromverbrauch (im Betrieb)	360 W	295 W	160 W	125 W
Stromverbrauch (im Standby-Modus)	<= 0.5 W	<= 0.5 W	<= 0.5 W	<= 0.5 W
ECO Sensor	Ja	Ja	Ja	Ja
Betriebstemperatur	0 - 40 °C	0 - 40 °C	0 - 40 °C	0 - 40 °C
Lagerungstemperatur	-20 - 60 °C	-20 - 60 °C	-20 - 60 °C	-20 - 60 °C
Betrieb Luftfeuchtigkeit	20 - 80 %RH (No Condensation)	20 - 80 %RH (No Condensation)	20 - 80 %RH (No Condensation)	20 - 80 %RH (No Condensation)
Lagerung Luftfeuchtigkeit	10 - 90 %RH	10 - 90 %RH	10 - 90 %RH	10 - 90 %RH
Zubehör	Netzkabel, Kurzanleitung, HDMI Kabel 5m, USB Kabel 5m, High Precision stylus pack (2 Stk.), Double sided stylus, Easy-fix cable clips			

# TECHNISCHE DATEN

PRODUKT LOGISTIK	ETX-8620 PLUS	ETX-7520 PLUS	ETX-6520 PLUS
Abmessung Verpackung (B x H x T)	2139x1363x231	1875x1186x231	1676x1097x231
Brutto Gewicht	tbd	tbd	tbd
SAP / EAN (GTIN) / Art.-Nr	868034000 / 8713797092814 / 7-803120-86P	868033000 / 8713797092807 / 7-803120-75P	868032000 / 8713797092791 / 7-803120-65P
PRODUKT SPEZIFIKATIONEN			
Grösse diagonal	86" (85.6")	75" (74.52")	65" (64.53")
Technik Bedienfeld	TFT LCD	TFT LCD	TFT LCD
Display-Auflösung	3840 x 2160 px	3840 x 2160 px	3840 x 2160 px
Helligkeit	350 cd / m <sup>2</sup>	350 cd / m <sup>2</sup>	350 cd / m <sup>2</sup>
Kontrastverhältnis	1200 : 1	4000:1	4000:1
Reaktionszeit	8 ms	8 ms	9 ms
Bildfrequenz	60 Hz	60 Hz	60 Hz
Betrachtungswinkel (H / V)	178° / 178°	178° / 178°	178° / 178°
Unterstützte Farben	1,07 Mrd. (10-bit)	1,07 Mrd. (10-bit)	1,07 Mrd. (10-bit)
Hintergrundbeleuchtung	Direct LED	Direct LED	Direct LED
Lebensdauer	> 40.000 Stunden	> 40.000 Stunden	> 40.000 Stunden
Bildschirmausrichtung	Querformat	Querformat	Hoch- / Querformat
CPU	ARM Cortex A73x2; Cortex A53x2	ARM Cortex A73x2; Cortex A53x2	ARM Cortex A73x2; Cortex A53x2
GPU	G51MP4	G51MP4	G51MP4
Betriebssystem	Android 8.0	Android 8.0	Android 8.0
Arbeitsspeicher	4 GB	4 GB	4 GB
Speicherkapazität	32GB	32GB	32GB
Touch-Technologie	High Precision Advanced Infrarot	High Precision Advanced Infrarot	High Precision Advanced Infrarot
Anzahl Berührungspunkte	32 Punkte Ø5 Punkt Ø3mm	32 Punkte Ø5 Punkt Ø3mm	32 Punkte Ø5 Punkt Ø3mm
Reaktionszeit	<= 10 ms	<= 10 ms	<= 10 ms
Mindest-Eingabegrösse	>= Ø 3 mm	>= Ø 3 mm	>= Ø 3 mm
Berührungsauflösung	32771 x 32768 px	32770 x 32768 px	32769 x 32768 px
Eingangsanschlüsse	HDMI 2.0 ARC x 1, HDMI 2.0 x 2, DisplayPort x 1, USB-A 3.0 x 3 + 2.0 x 1, USB-C x 1, VGA + 3,5mm Audio-In x 1, RS-232C x 1, LAN RJ45 x 2		
Ausgangsanschlüsse	HDMI (4k@60Hz) x 1 / Optical (SPDIF) out x 1 / 3.5mm Audio-Out x 1 / Touch-out USB-B x 3		
OPS-Steckplatz	Ja	Ja	Ja
Android-Steckplatz	Ja	Ja	Ja
Wifi (steckbares/ausnehmbares Modul)	802.11a/b/g/n/ac, Bluetooth v. 5		
Lautsprecher	15 W x 2 / 8 Ω	15 W x 2 / 8 Ω	15 W x 2 / 8 Ω
Subwoofer	15 W	15 W	15 W
Abmessung (B x H x T)	1959,5x1140,2x89,3 mm	1714,7x1002,8x89,3 mm	1490,5x875,5x89,3 mm
Nettogewicht	tbd	tbd	tbd
Montageschnittstelle	VESA 600 x 800 (mm), M8 Schraube VESA 400 x 600 Adapter vormontiert	VESA 600 x 800 (mm), M8 Schraube VESA 400 x 600 Adapter vormontiert	VESA 400 x 600 (mm), M8 Schraube
Glas	2mm Optical Bonded Tempered Anti-Glare		
Stromversorgung	AC 100-240 V 50 / 60 Hz		
Stromverbrauch (im Betrieb)	360 W	295 W	160 W
Stromverbrauch (im Standby-Modus)	<= 0.5 W	<= 0.5 W	<= 0.5 W
ECO Sensor	Ja	Ja	Ja
Betriebstemperatur	0 - 40 °C	0 - 40 °C	0 - 40 °C
Lagerungstemperatur	-20 - 60 °C	-20 - 60 °C	-20 - 60 °C
Betrieb Luftfeuchtigkeit	20 - 80 %RH (No Condensation)	20 - 80 %RH (No Condensation)	20 - 80 %RH (No Condensation)
Lagerung Luftfeuchtigkeit	10 - 90 %RH	10 - 90 %RH	10 - 90 %RH
Zubehör	Netz Kabel, Kurzanleitung, HDMI Kabel 5m, USB Kabel 5m, High Precision stylus pack (2 Stk.), Double sided stylus, Easy-fix cable clips		



## 8. UNTERSTÜTZTE TAKTFREQUENZEN

### VGA SOURCE

No.	Signal format
1	640x480/60HZ
2	640x480/75HZ
3	800x600/60Hz
4	800x600/75Hz
5	1024x768/60Hz
6	1024x768/75Hz
7	1280x768/60HZ
8	1280x1024/60Hz
9	1280x1024/75Hz
10	1600x1024/60Hz
11	1920x1080P/60Hz
12	1920x1080P/50Hz

### DP Source

No.	Signal format
1	640x480/60HZ
2	640x480/75HZ
3	800x600/60Hz
4	800x600/75Hz
5	1024x768/60Hz
6	1024x768/75Hz
7	1280x768/60HZ
8	1280x1024/60Hz
9	1280x1024/75Hz
10	1600x1024/60Hz
11	1920x1080P/60Hz
12	1920x1080P/50Hz
13	3840x2160/30HZ
14	3840x2160/60HZ
15	1280x720P/60Hz
16	1280x720P/50Hz
17	720x480P/60Hz
18	720x576P/50Hz

### HDMI SOURCE

No.	Signal format
1	640x480/60HZ
2	640x480/75HZ
3	800x600/60Hz
4	800x600/75Hz
5	1024x768/60Hz
6	1024x768/75Hz
7	1280x768/60HZ
8	1280x1024/60Hz
9	1280x1024/75Hz
10	1600x1024/60Hz
11	1920x1080P/60Hz
12	1920x1080P/50Hz
13	3840x2160/30Hz
14	3840x2160/60Hz
15	1280x720P/60Hz
16	1280x720P/50Hz
17	720x480P/60Hz
18	720x576P/50Hz
19	1920x1080I/60Hz
20	1920x1080I/50Hz

## 9. SERIELLE BEFEHLE

### 9.1. SERIELLE KOMMUNIKATION

Der Monitor verwendet ein einfaches textbasiertes Steuerprotokoll, mit dessen Hilfe Anfragen von Steuerungsgeräten angenommen und Antworten an diese Geräte zurückgegeben werden. In diesem Abschnitt wird beschrieben, wie Steuermeldungen über eine serielle Verbindung zwischen dem Monitor und einem Automations-/Steuersystem oder einem PC gesendet werden, auf dem ein Terminalemulationsprogramm wie Windows® HyperTerminal oder Tera Term läuft.

### 9.2. RS-232-ANSCHLUSS UND PORT-KONFIGURATION

Schließen Sie Ihr Steuersystem oder den PC an den RS-232-Eingang des Monitors an.

Konfigurieren Sie den RS-232-Controller oder den seriellen Port des PCs wie folgt: Baud rate: 115200, 8bit, non parity, 1 stop bit.

## 9.3. RS232 INTERFACE

Default Port settings > Baudrate: 115200, Bits:8,Parity: None, Stopbit:1								
Main Item	Control Item	Commando	Type Write / Read	Value in HEX	Reply in HEX Format: STX data ETX (STX=start text / ETX = end tekst)	Reply in Ascii	Range	Note
Power Control and input source	Power control	Power OFF	W	02 50 57 44 3A 30 30 03	4F 4B	OK		
		Power ON	W	02 50 57 44 3A 30 30 31 03	4F 4B	OK		
		Get Power status	R	02 50 57 44 3A 3F 03	02 xx 03	Only second nibble of byte	0-1	0 = power OFF 1 = Power ON
	Backlight	Screen off (Blank)	W	02 42 4C 54 3A 30 30 03	4F 4B	OK		
		Screen on (Blank)	W	02 42 4C 54 3A 30 30 31 03	4F 4B	OK		
		Get Screen Status (blank)	R	02 42 4C 54 3A 3F 03	02 xx 03	Only second nibble of byte	0-1	0 = screen OFF 1 = Screen ON
		Backlight Level	W	02 42 4C 56 3A 3x 3x 03	4F 4B	OK	0 ~ 100	x = 0-9 Example: 30 30 30 = 0 30 35 30 = 50 31 30 30 = 100
	Input source	Get Backlight Level	R	02 42 4C 56 3A 3F 03	02 xx xx xx 03	Only second nibble of each byte	0 ~ 100	
		HDMI 1	W	02 49 4E 50 3A 30 30 38 03	4F 4B	OK		
		HDMI 2	W	02 49 4E 50 3A 30 30 39 03	4F 4B	OK		
		HDMI 3	W	02 49 4E 50 3A 30 31 30 03	4F 4B	OK		
		OPS (PC)	W	02 49 4E 50 3A 30 30 34 03	4F 4B	OK		
		Display Port	W	02 49 4E 50 3A 30 31 32 03	4F 4B	OK		
		USB-C	W	02 49 4E 50 3A 30 31 36 03	4F 4B	OK		
		VGA	W	02 49 4E 50 3A 30 30 35 03	4F 4B	OK		
		Get Current Source	R	02 49 4E 50 3A 3F 03	02 xx xx 03	Only second nibble of byte 5, 8, 9, 10, 12, 14, 16		5 = VGA 8 = HDMI1 9 = HDMI2 10 = HDMI3 12 = DP 14 = OPS 16 = USB-C
Picture	Picture	Set Picture Mode	W	02 50 49 43 3A 30 30 3x 03	4F 4B	OK	x = 0-3	30 = Dynamic 31 = Standard 32 = Soft 33 = User
		Get Picture mode	R	02 50 49 43 3A 3F 03	02 xx 03	Only second nibble of byte	x = 0-3	0 = Dynamic 1 = Standard 2 = Soft 3 = User
	Freeze	Freeze	W	02 4B 45 59 3A 30 33 35 03	4F 4B	OK		
Audio Control	Volume	Volume Down	W	02 4B 45 59 3A 30 31 33 03	4F 4B	OK		
		Volume UP	W	02 4B 45 59 3A 30 31 32 03	4F 4B	OK		
		Set Volume Level	W	02 56 4F 4C 3A 3x 3x 03	4F 4B	OK	0 - 100	x = 0-9 Example: 30 30 30 = 0 30 35 30 = 50 31 30 30 = 100
		Get Volume Level	R	02 56 4F 4C 3A 3F 03	02 xx xx xx 03	Only second nibble of each byte	0 - 100	
	Mute	Mute	W	02 4D 55 54 3A 30 30 31 03	4F 4B	OK		
		Unmute	W	02 4D 55 54 3A 30 30 30 03	4F 4B	OK		
	Sound mode	Sound mode	W	02 53 4E 44 3A 30 30 3x 03	4F 4B	OK	0-4	30 = Standard 31 = Music 32 = Movie 33 = Sport 34=User
		Get Sound mode	R	02 53 4E 44 3A 3F 03	02 xx 03	Only second nibble of Byte	0-4	0 = Standard 1 = Music 2 = Movie 3 = Sport 4=User

Default Port settings > Baudrate: 115200, Bits:8,Parity: None, Stopbit:1								
Commands	Keys	Menu	W	02 4B 45 59 3A 30 31 34 03	4F 4B	OK		
		Home	W	02 4B 45 59 3A 30 36 30 03	4F 4B	OK		
		Back	W	02 4B 45 59 3A 30 31 36 03	4F 4B	OK		
		Screenshot	W	02 4B 45 59 3A 30 36 32 03	4F 4B	OK		
		Input key	W	02 4B 45 59 3A 30 32 32 03	4F 4B	OK		
		Infor Key	W	02 4B 45 59 3A 30 32 34 03	4F 4B	OK		
		1	W	02 4B 45 59 3A 30 30 31 03	4F 4B	OK		
		2	W	02 4B 45 59 3A 30 30 32 03	4F 4B	OK		
		3	W	02 4B 45 59 3A 30 30 33 03	4F 4B	OK		
		4	W	02 4B 45 59 3A 30 30 34 03	4F 4B	OK		
		5	W	02 4B 45 59 3A 30 30 35 03	4F 4B	OK		
		6	W	02 4B 45 59 3A 30 30 36 03	4F 4B	OK		
		7	W	02 4B 45 59 3A 30 30 37 03	4F 4B	OK		
		8	W	02 4B 45 59 3A 30 30 38 03	4F 4B	OK		
		9	W	02 4B 45 59 3A 30 30 39 03	4F 4B	OK		
		0	W	02 4B 45 59 3A 30 30 30 03	4F 4B	OK		
		OK	W	02 4B 45 59 3A 30 31 35 03	4F 4B	OK		
			W	02 4B 45 59 3A 30 31 39 03	4F 4B	OK		
			W	02 4B 45 59 3A 30 32 30 03	4F 4B	OK		
	W	02 4B 45 59 3A 30 31 37 03	4F 4B	OK				
	W	02 4B 45 59 3A 30 31 38 03	4F 4B	OK				
Lock Options	Touch	Touch Lock	W	02 55 53 57 3A 30 30 34 03	4F 4B	OK		
		Touch Unlock	W	02 55 53 57 3A 30 30 35 03	4F 4B	OK		
		Get Touch Lock Status	R	02 55 53 57 3A 3F 03	02 xx 03	Only second nibble of byte	4-5	4 = Touch Lock ON 5 = Touch Lock OFF
	Keypad	Keypad Lock	W	02 55 41 44 3A 30 30 31 03	4F 4B	OK		
		Keypad Unlock	W	02 55 41 44 3A 30 30 30 03	4F 4B	OK		
		Get Keypad Lock Status	R	02 50 41 44 3A 3F 03	02 xx 03	Only second nibble of byte	0-1	0 = Keypad lock OFF 1 = Keypad Lock ON
	Remote	Remote Lock	W	02 49 52 4C 3A 30 30 31 03	4F 4B	OK		
		Remote Unlock	W	02 49 52 4C 3A 30 30 30 03	4F 4B	OK		
		Get Remote Lock Status	R	02 49 52 4C 3A 3F 03	02 xx 03	Only second nibble of byte	0-1	0 = Remote Lock OFF 1 = Remote Lock ON
Screen Info	Lan	Get Ethernet Mac Adress	R	02 4D 41 43 3A 3F 03	4D 41 43 3A xx xx xx xx xx xx xx	MAC: ‚adres‘		ex: 0:15:45:F3:12:BA
	Software	Get Software Version	R	02 46 56 52 3A 3F 03	46 56 52 3A xx xx xx xx xx xx xx	FVR: ‚version‘		ex: FVR:568PH0009A 1002
		Get Software Date	R	02 46 56 54 3A 3F 03	46 56 54 3A xx xx xx xx xx xx xx	FVT: ‚date‘		ex: FVT:20200218
		Get Model	R	02 4D 44 54 3A 3F 03	4D 44 54 3A xx xx xx xx xx xx xx	MDT: ‚model‘		ex: MDT:Legamaster ETX6520 e-Screen
	Panel	Get Panel ID	R	02 50 49 44 3A 3F 03	02 xx xx xx 03	Only second nibble of each byte		Example: if ID =16 xx xx xx = 016
		Get Panel information	R	02 50 4E 4C 3A 3F 03	50 4E 4C 3A xx xx xx xx xx xx xx xx	PNL: ‚panel‘		panel in ascii
	Time	Get Total Work Time	R	02 53 53 53 3A 3F 03	53 53 53 3Axx xx xx xx xx 3A xx xx 3A xx	SSS: ‚hours‘: inute‘: ‚seconds‘		SSS:00101:44:07

## 10. FEHLERSUCHE

FÜR HÄUFIG GESTELLTE FRAGEN, FEHLERBEHEBUNG UND TIPPS UND TRICKS BESUCHEN SIE BITTE

[www.faq.legamaster.com](http://www.faq.legamaster.com)

## 11. KONFORMITÄT

**FCC:**

FCC CFR Titel 47 Teil 15 Unterabschnitt B

**CB:**

IEC62368-1

**CE:**

EN55032

EN55035

EN61000-3-2

EN61000-3-3

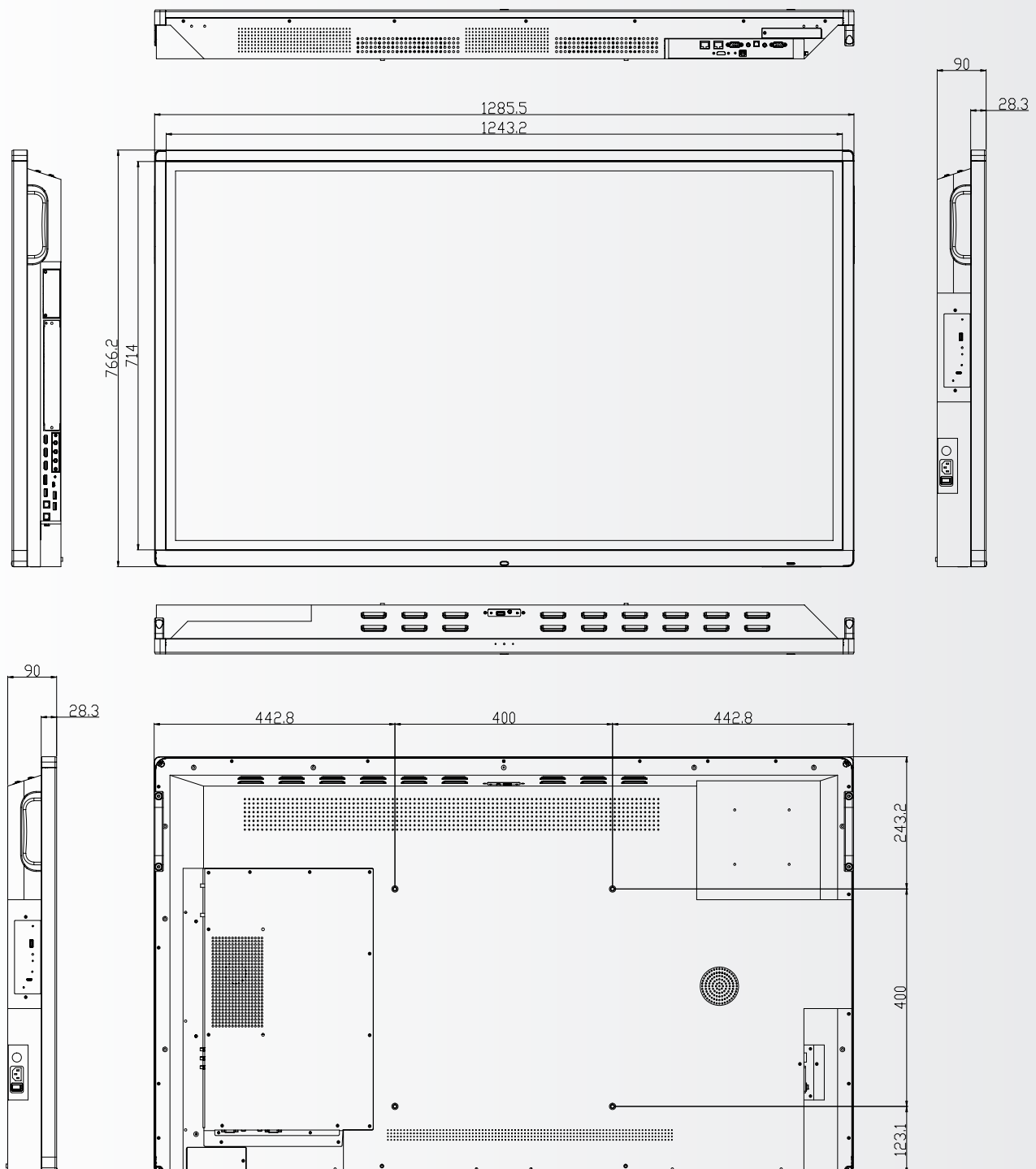
EN62368

## 12. ANHANG

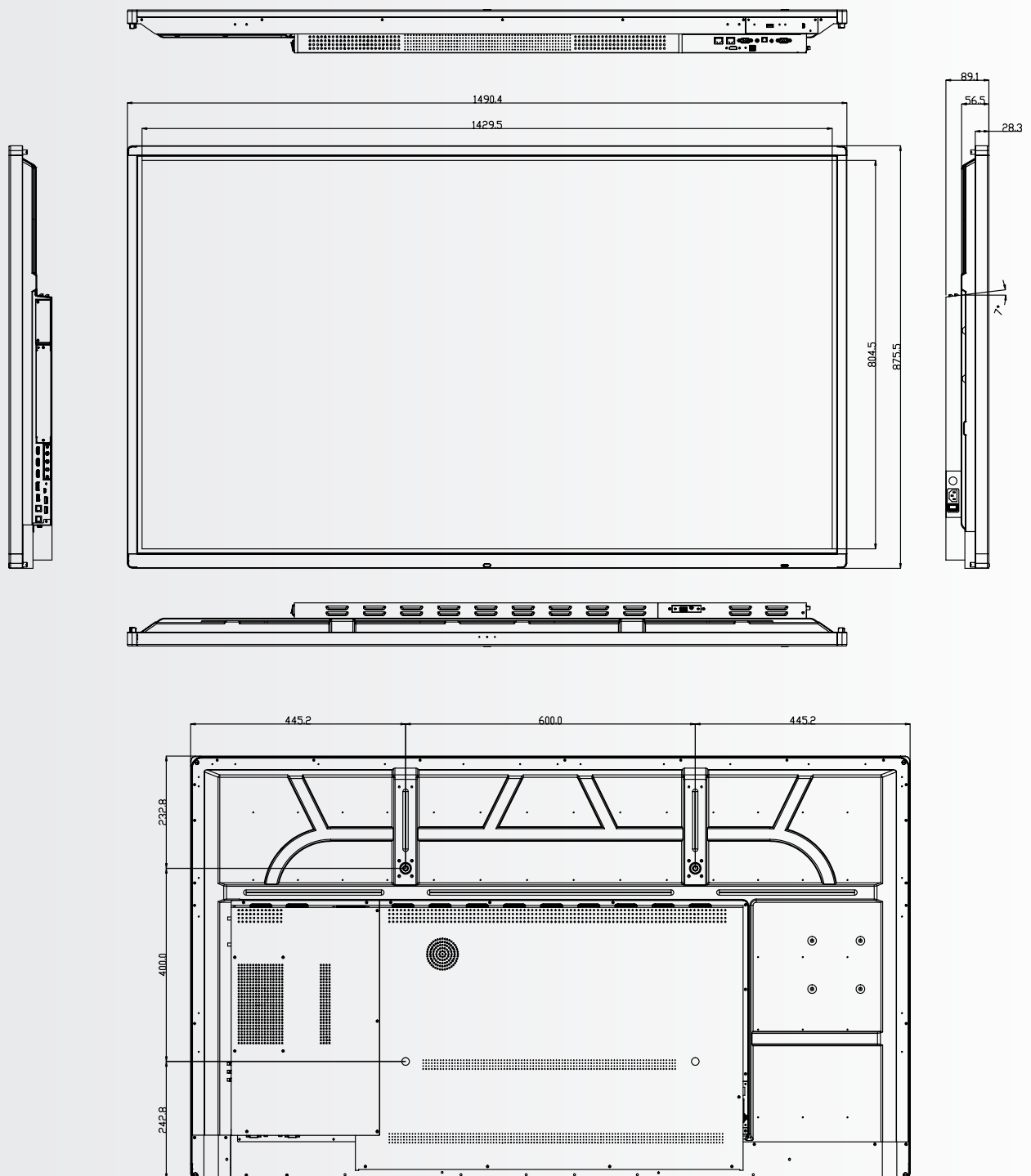
### 12.1. ABMESSUNGEN

Die folgende Abbildung zeigt die Gesamtabmessungen des Monitors:

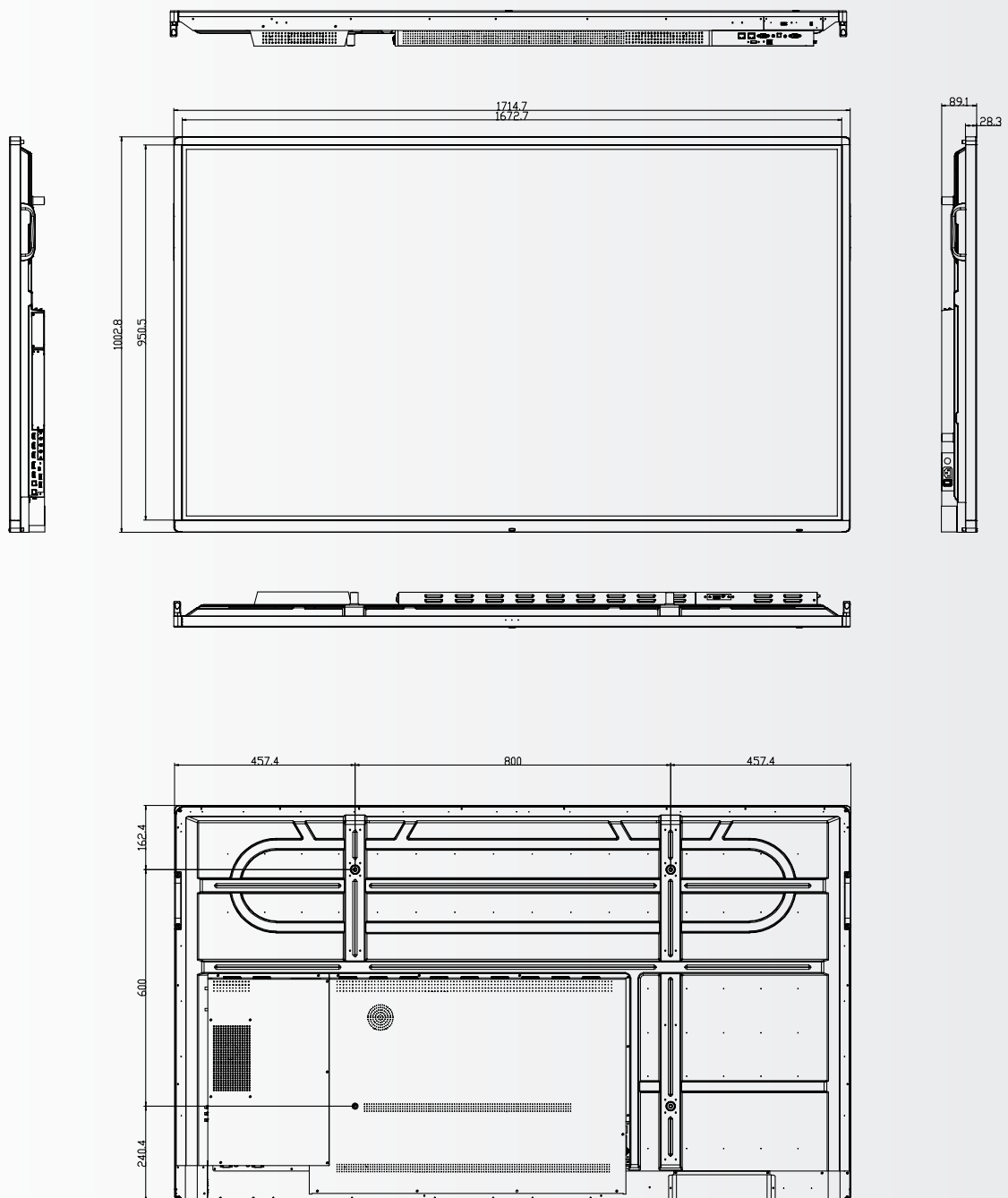
**ETX-5520**



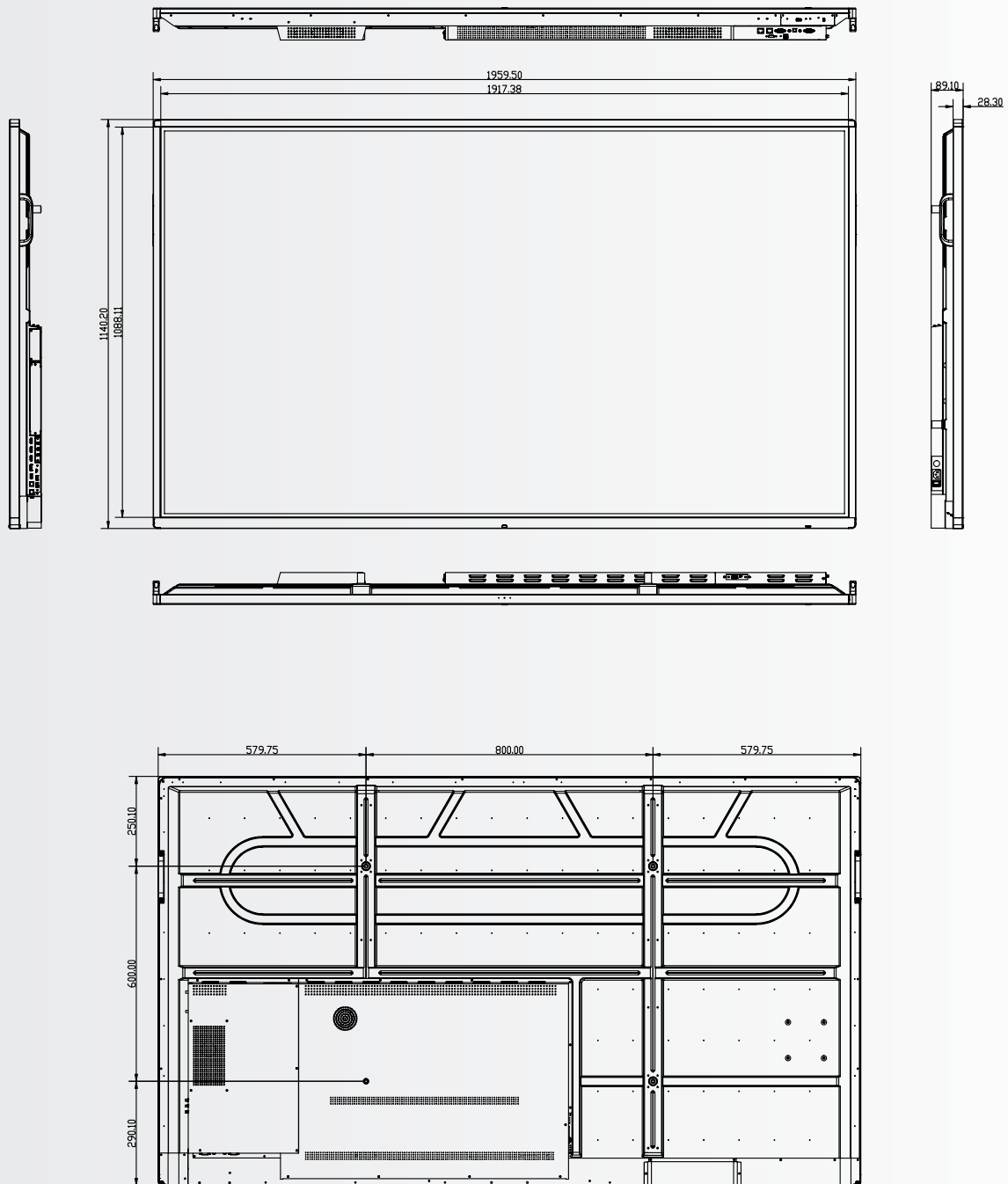
## ETX-6520



ETX-7520



## ETX-8620





## 13. ZUBEHÖR

### 13.1. EASYFIX VIDEO CONFERRING UNIT

Verwandelt den ETX e-Screen sofort in einen vollständigen Videokonferenzbildschirm.

#### 13.1.1 Technische Daten

- Auflösung der Kamera: 1920x1080 / 1280x720 @ 30 hz
- Pixel: 2 Millionen
- Winkel (diagonal): 85°
- 4-Mikrofon-Array, Entfernung der Sprachaufnahme bis zu 8 Meter
- Automatische Echounterdrückung
- Macht: Gleichstrom 5V±0,2V, 60 Hz // 370 mA
- Unterstützte Betriebssysteme: Windows / Android

#### 13.1.2 Installation

- Verwenden Sie die 2 Schrauben und befestigen Sie das Gerät an der oberen Einfassung des ETX-XX20 (PLUS) e-Screens.
- Stecken Sie das USB-Kabel in den oberen USB-Steckplatz (Nr. 20)
- Stecken Sie das Audiokabel in den oberen Audio-Eingang (Nr. 21)

#### 13.1.3 Betrieb

- Das Gerät ist Plug-and-Play, d.h. es kann jede beliebige Anwendung auf Android, OPS oder einem angeschlossenen PC geöffnet werden.

### 13.2. EASYFIX PROXIMITY SENSOR

Erlauben Sie dem ETX e-Screen, je nach Anwesenheit im Raum zwischen Schlaf- und Wachzustand umzuschalten

#### 13.2.1 Spezifikationen

- Erkennungsmethode: Infrarot
- Erfassungswinkel: 100
- Erfassungsbereich: 5-7 m
- GLEICHSTROM 5V±0,5V
- Anschluss: USB-A

#### 13.2.2 Installation

- Schließen Sie das Gerät an den USB-A-Anschluss an, der sich auf der unteren Seite des Bildschirms oder (nur ETX-5520) auf der linken Seite des Bildschirms befindet.
- Befestigen Sie das Gerät mit den 2 mitgelieferten Schrauben auf dem Bildschirm.

#### 13.1.3 Betrieb

Das Gerät ist Plug-and-Play-fähig. Das Gerät wird mit den unten aufgeführten Einstellungen im Einstellungsmenü des ETX-XX20 e-Screen gesteuert. Navigieren Sie zum Einstellungsmenü. Drücken Sie im „System“-Teil des Einstellungsmenüs auf Power:

- Aktivieren Sie die Einstellung ‚Bewegungs-Weckfunktion‘, damit der Näherungssensor den ETX e-Screen vom Ruhe- in den Arbeitsmodus umschalten kann.
- Verwenden Sie die Einstellung ‚Bewegungserkennung‘, damit der ETX e-Screen selbst in den Schlafmodus schaltet, wenn für eine bestimmte Zeit keine Anwesenheit im Sichtfeld des Näherungssensors erkannt wird.



## FRANÇAIS

### TABLE DES MATIÈRES

1. Informations importantes .....	59
1.1. Utilisation .....	59
1.2. Exonérations .....	59
2. Consignes de sécurité .....	60
2.1. Précautions de sécurité .....	60
2.2. Avis de déplacement et de transport .....	61
2.3. Installation .....	61
2.4. Avis de sécurité de montage .....	62
2.5. Utilisation recommandée .....	63
2.6. Nettoyage .....	64
3. Contenu du carton .....	65
3.1. Déballage .....	65
3.2. Accessoires inclus .....	65
4. Installation .....	65
4.1. Conditions ambiantes .....	65
4.2. vue générale de l'écran .....	66
4.3. Panneau de connexion d'entrée et de sortie .....	68
4.4. Télécommande .....	68
5. Utilisations .....	69
5.1. Allumer et éteindre l'écran .....	70
5.2. Menu de lancement rapide .....	70
5.3. Float menu .....	71
5.4. Settings menu .....	71
5.5. Mise à jour de l'écran .....	74
5.6. Activation / désactivation d'Android .....	74
6. Utilisation tactile .....	74
7. Caractéristiques techniques .....	75
8. Synchronisations prises en charge .....	77
9. Commandes série .....	77
9.1. Communications série .....	77
9.2. Connexion RS-232 et configuration du port .....	77
9.3. RS232 Interface .....	78
10. Dépannage .....	80
11. Conformité .....	80
12. Annexe .....	81
12.1. Dimensions .....	81
13. Accessoires .....	85
13.1. EasyFix Video Conferencing Unit .....	85
13.2. EasyFix Proximity Sensor .....	85

## 1. INFORMATIONS IMPORTANTES



### AVERTISSEMENT:

POUR EMPÊCHER LES RISQUES D'INCENDIE OU D'ÉLECTROCUTION, NE PAS EXPOSER CET APPAREIL À LA PLUIE OU À L'HUMIDITÉ. PAR AILLEURS, NE PAS UTILISER LA FICHE POLARISÉE DE CET APPAREIL AVEC LA PRISE FEMELLE D'UNE RALLONGE OU D'AUTRES PRISES DE COURANT SAUF SI LES BROCHES PEUVENT ÊTRE INSÉRÉES COMPLÈTEMENT.

NE PAS OUVRIR LE COFFRET CAR DES COMPOSANTS SOUS HAUTE TENSION SE TROUVENT À L'INTÉRIEUR.



### ATTENTION:

POUR RÉDUIRE LE RISQUE D'ÉLECTROCUTION, S'ASSURER QUE LE CORDON D'ALIMENTATION EST DÉBRANCHÉ DE LA PRISE MURALE. POUR METTRE L'APPAREIL ENTIÈREMENT HORS TENSION, DÉCONNECTER LE CORDON D'ALIMENTATION DE LA PRISE DE COURANT SECTEUR. NE PAS RETIRER LE COUVERCLE (OU LE DOS). PIÈCES NON RÉPARABLES PAR L'UTILISATEUR À L'INTÉRIEUR. CONSULTER ENTRETIEN ET RÉVISION POUR UN SERVICE APRÈS-VENTE

### 1.1. UTILISATION

- Transporter le produit droit avec son emballage approprié. Éviter de placer le produit avec la face orientée vers le haut ou le bas. Manipuler avec précaution.
- Ne pas envoyer une image statique (fixe) à l'e-Screen car cela risque de provoquer une incrustation de image ou un phénomène de rémanence d'image.
- L'incrustation de l'image et/ou la rémanence d'image n'est pas couverte par la garantie.
- Veiller à changer régulièrement l'image à l'e-Screen. Il est recommandé de éteindre l'e-Screen durant au moins 6 heures après 16 heures d'utilisation en 24 heures pour éviter la rémanence d'image.

### 1.2. EXONÉRATIONS

- Ce produit n'est pas garanti pour tout dommage causé par la catastrophe naturelle (telle que les séismes, les orages, etc.), les incendies, les actes commis par les tiers, les accidents, le défaut d'utilisation et la mauvaise utilisation intentionnelle du propriétaire ou l'utilisation dans d'autres conditions inappropriées.
- Ce produit n'est pas garanti pour les dommages indirects (tels que la perte de bénéfices ou l'interruption des affaires, la modification ou l'effacement des données enregistrées, etc.) causés par l'utilisation ou l'incapacité à utiliser ce produit.
- Ce produit n'est pas garanti pour tout dommage causé par une utilisation inappropriée, ou par le non-respect des instructions du manuel de l'utilisateur.
- Ce produit n'est pas garanti pour tout dommage causé par une mauvaise utilisation ou un mauvais fonctionnement dû à l'utilisation simultanée de ce produit et de l'équipement connecté ou du logiciel.
- Ce produit n'est pas garanti pour tout dommage causé par la négligence des instructions d'installation décrites.
- Ce produit n'est pas garanti pour tout dommage causé par une installation incorrecte.
- Ce produit n'est pas garanti pour tout dommage causé par le démontage, la modification ou la réparation par des personnes non agréées ou un centre de service non-agréé.

## 2. CONSIGNES DE SÉCURITÉ

Avant d'utiliser cet e-Screen, veuillez lire attentivement le présent manuel de l'utilisateur afin d'assurer une protection contre les dommages matériels, votre sécurité personnelle et celle des autres personnes.

- Lisez et suivez toutes les instructions et les consignes de sécurité que contient ce manuel.
- Pour l'installation ou les réglages, suivez les instructions du présent manuel et confiez toute révision ou tout entretien à du personnel qualifié de service après-vente.

### 2.1. PRÉCAUTIONS DE SÉCURITÉ

**Si l'e-Screen dégage de la fumée ou une odeur singulière, débranchez immédiatement la prise de courant.**

Le non-respect de cette instruction risque de provoquer un incendie ou une électrocution. Contactez votre revendeur pour faire inspecter l'écran.

**Si l'e-Screen a été allumé mais aucune image n'apparaît, débranchez immédiatement sa fiche électrique de la prise de courant.**

Le non-respect de cette instruction risque de provoquer un incendie ou une électrocution. Contactez votre revendeur pour faire inspecter l'écran.

**En cas de projections d'eau ou de pénétration d'objets à l'intérieur de l'e-Screen, débranchez immédiatement sa fiche électrique de la prise de courant.**

Le non-respect de cette instruction risque de provoquer un incendie ou une électrocution. Contactez votre revendeur pour faire inspecter l'écran.

**Si l'e-Screen tombe ou le coffret est abîmé, débranchez immédiatement sa fiche électrique de la prise de courant.**

Le non-respect de cette instruction risque de provoquer un incendie ou une électrocution. Contactez votre revendeur pour faire inspecter l'écran.

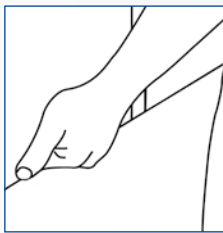
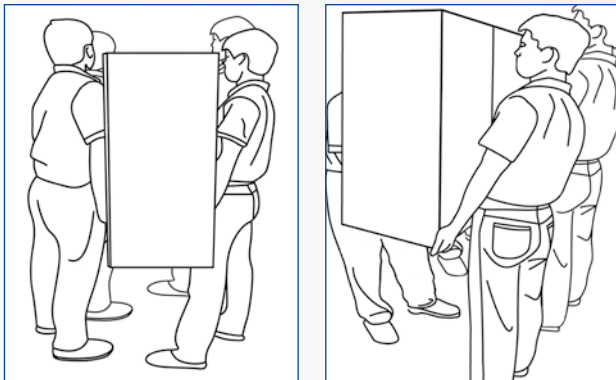
**Si le cordon d'alimentation ou la fiche est abîmé(e) ou s'échauffe, éteignez l'écran à l'aide de son interrupteur Marche-Arrêt principal, assurez-vous que la fiche électrique a refroidi et retirez-la.**

Si l'e-Screen continue à être utilisé dans cet état, il risque de provoquer un incendie ou une électrocution. Contactez votre revendeur pour un remplacement.

## 2.2. AVIS DE DÉPLACEMENT ET DE TRANSPORT

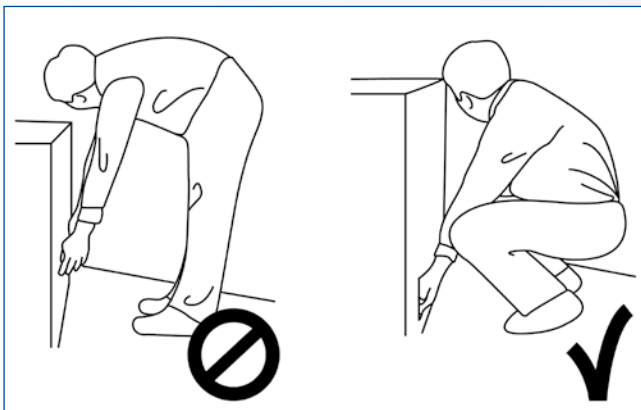
### Déplacement de produit :

Le déplacement de l'produit nécessite au moins quatre personnes. Toute tentative de déplacement de l'produit par une seule personne risque d'entraîner la chute de l'écran et/ou de graves blessures. Lors du déplacement d'un écran dans son carton d'expédition, soulevez le carton à l'aide des poignées blanches.



### Transport du produit :

Ce produit est lourd ; suivez les techniques de levage adéquates, conformément aux images ci-dessous. Le non-respect de cette instruction risque d'entraîner des blessures.



## 2.3. INSTALLATION

### Ne pas installer l'écran dans un environnement très chaud.

Si l'e-Screen est utilisé à haute température ou dans la lumière directe du soleil, le boîtier ou d'autres pièces risquent de se déformer ou de s'abîmer, ce qui entraîne une surchauffe ou une électrocution.

### Ne pas installer l'écran dans un environnement très humide.

Cela risque d'entraîner une surchauffe ou une électrocution.

### Ne pas installer près de sources de chaleur telles que des radiateurs, des bouches d'air chaud, des poêles, ou d'autres appareils qui produisent de la chaleur.

Cela risque de provoquer un incendie ou une électrocution.

### Ne pas surcharger les prises de courant ou les câbles au-delà de leur capacité électrique.

Ne pas utiliser des rallonges car cela risque de provoquer un incendie ou une électrocution.

### Ne pas brancher la fiche électrique sur une prise de courant autre que 100~240 V AC.

Cela risque de provoquer un incendie ou une électrocution.

- Ne pas utiliser une fiche électrique endommagée ou une prise de courant usée.
- Ne pas brancher une fiche électrique inappropriée car cela risque de provoquer un incendie ou une électrocution.

### Ne pas placer l'e-Screen sur une étagère ou une surface instable.

L'e-Screen risque de tomber et de provoquer des blessures. Installer l'écran sur une surface horizontale, stable, plane.

### Ne pas placer des objets sur l'e-Screen.

- Si l'e-Screen est recouvert ou si les orifices de ventilation sont obturés, l'écran risque de surchauffer et de provoquer un incendie.
- La pénétration de pièces métalliques ou d'un liquide dans l'écran risque de provoquer un incendie ou une électrocution.
- Ne pas mettre des objets lourds sur l'e-Screen car ils risquent de tomber et de provoquer des blessures.
- Maintenir la distance minimale de 10 cm entre l'écran, le mur et/ou d'autres objets afin d'assurer une ventilation suffisante.

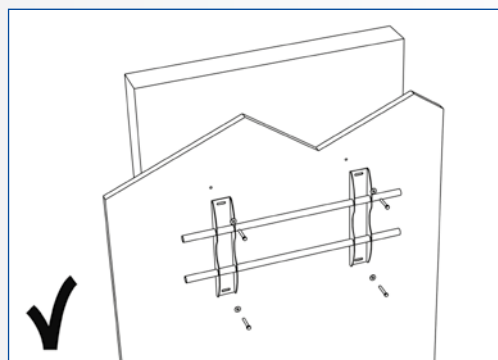
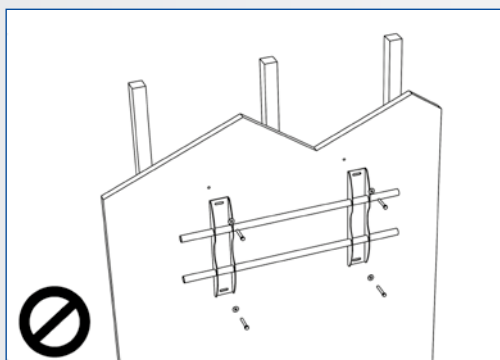
# CONSIGNES DE SÉCURITÉ

## Ne pas déplacer l'e-Screen lorsqu'il est raccordé au cordon d'alimentation et aux câbles AV.

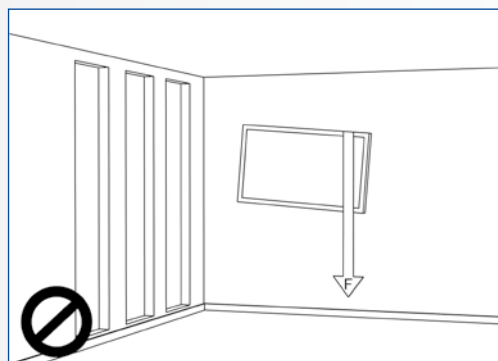
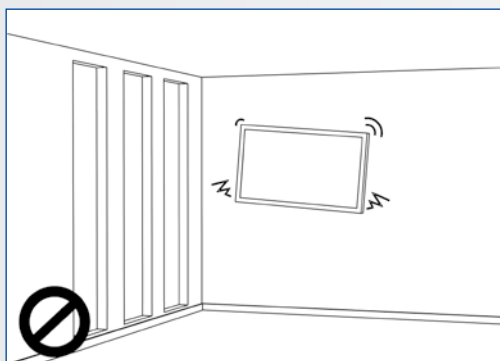
- Lors du déplacement de l'e-Screen, veiller à débrancher la fiche électrique et les câbles de la prise de courant ou de la source.
- Lors du déballage ou du transport de l'e-Screen, au moins 4 personnes sont nécessaires. Veiller à transporter l'e-Screen en position droite.
- Transporter l'e-Screen en position droite. Éviter de placer l'e-Screen avec la face orientée vers le haut ou le bas.
- Manipuler doucement l'e-Screen. Ne pas le laisser tomber.

## 2.4. AVIS DE SÉCURITÉ DE MONTAGE

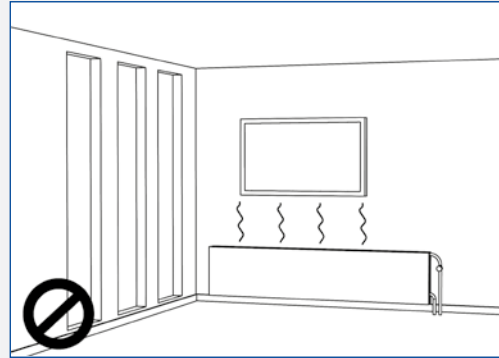
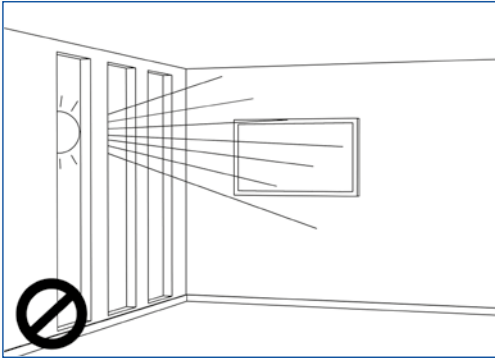
### 1. Assurez-vous que le support est fixé à un mur plein / pilier plein.



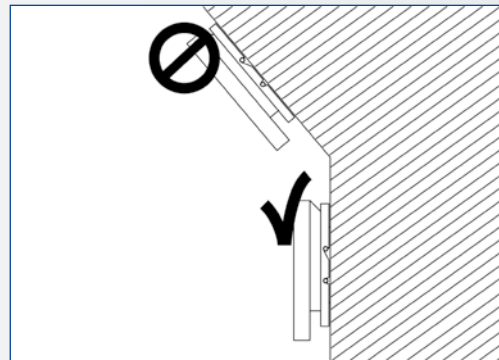
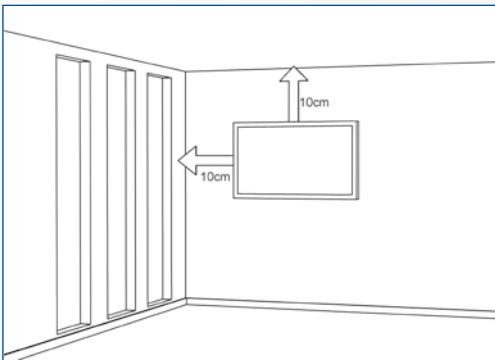
### 2. Après le montage, ne le tirez pas et ne le secouez pas.



3. N'installez pas dans un endroit exposé directement à la lumière du soleil ou dans un endroit humide / chaud.



4. Il est recommandé d'installer le support à plus de 10 cm de chaque angle du mur, verticalement par rapport au sol.



## 2.5. UTILISATION RECOMMANDÉE

**Si vous rencontrez un problème durant une installation, contactez votre distributeur pour obtenir de l'aide. Ne réparez pas et n'ouvrez pas l'e-Screen par vous-même.**

Le non-respect de cette instruction risque de provoquer un incendie ou une électrocution. Contactez votre revendeur pour faire inspecter l'écran.

**Protection et utilisation correcte du cordon d'alimentation et de la fiche électrique.**

- Ne pas pincer le cordon d'alimentation/fiche électrique entre des surfaces dures.
- Ne pas marcher sur le cordon d'alimentation/fiche électrique.
- Avant de brancher la fiche électrique sur la prise de courant murale, il faut raccorder le cordon d'alimentation à l'écran.
- Le fait d'utiliser un e-Screen dont le câble d'alimentation est endommagé ou n'est pas d'origine peut endommager l'écran et provoquer un incendie ou une électrocution.

**Utilisation de rallonges (pas recommandées)**

Si une rallonge doit être utilisée, il convient de vérifier si la tension nominale est supérieure à la consommation maximale de courant de l'écran. Une tension nominale inférieure à celle de l'écran provoquera une surchauffe du cordon d'alimentation.

**Ne pas faire fonctionner l'écran en cas d'orage ou de foudre.**

Débrancher la fiche d'alimentation de la prise secteur.

# CONSIGNES DE SÉCURITÉ

## **Ne pas utiliser n'importe quel liquide sur l'e-Screen.**

- En cas de projection de liquide sur l'e-Screen, débrancher et demander à un membre du personnel de service après-vente qualifié de vérifier le produit.
- En cas de projection de liquide sur la vitre de l'écran, il convient de le nettoyer immédiatement à l'aide d'un chiffon sec et doux.
- Ne pas utiliser un produit chimique abrasif sur l'e-Screen
- La pénétration de pièces métalliques ou d'un liquide dans l'e-Screen risque de provoquer un incendie ou une électrocution.

## **Ne pas installer ou débrancher la fiche électrique avec les mains mouillées.**

Cela risque de provoquer une électrocution.

## **Si l'e-Screen ne sera pas utilisé pendant une longue période, débrancher l'écran.**

Sinon, cela risque de provoquer l'usure prématurée des composants électriques ou un incendie.

## **Manipuler l'e-Screen avec précaution et prévenir les bris de verre.**

- Si la vitre de l'e-Screen est cassée, il se peut qu'il y ait des fuites de liquide. Ne pas toucher le liquide.
- Si ce liquide entre en contact avec la peau ou les yeux, rincer immédiatement à l'eau claire et consulter un médecin.

## **Précautions à prendre avec les piles de la télécommande**

- Utiliser uniquement des piles AAA approuvées.
- Veiller à introduire les piles en respectant la polarité (bornes + et -).
- Ne pas recharger, chauffer, démonter, court-circuiter ou jeter les piles dans un feu.
- Ne pas associer une pile neuve à une pile usagée.
- Ne pas mélanger les différents types de piles (utiliser uniquement le type spécifié).

## 2.6. NETTOYAGE

### **Débrancher la fiche électrique avant le nettoyage.**

Le non-respect de cette instruction risque de provoquer une électrocution ou un dommage.

### **Nettoyage de la surface de l'écran**

- Lorsque la surface de l'écran se salit, essuyer légèrement la surface à l'aide d'un chiffon doux et propre.
- Si la surface doit être davantage nettoyée, humidifier légèrement le chiffon.

- Ne pas laisser un liquide quelconque pénétrer dans l'e-Screen car cela risque de provoquer une électrocution ou un dommage.
- Ne pas nettoyer l'e-Screen avec de l'alcool, des solvants ou de l'ammoniac, car cela pourrait abîmer l'e-Screen.



## 3. CONTENU DU CARTON

### 3.1. DÉBALLAGE

- L'e-Screen est emballé avec des coussins destinés à assurer sa protection au cours de l'expédition.
- Avant de déballer l'écran, préparez une surface stable, plane et propre près d'une prise de courant murale.
- Placez le carton en position droite et ouvrez le haut du carton avant de retirer les coussins supérieurs.
- Étape 1: Retirez la poignée blanche et coupez les bandes
- Étape 2: Retirez le coussin supérieur et sortez le sac accessoire.

### 3.2. ACCESSOIRES INCLUS

Élément
Télécommande infrarouge (piles incluses)
Câble HDMI
Type USB Câble B à A
Cordon d'alimentation
2-in-1 stylus
2 stylets de haute précision
Easyfix Cable clips
Lecteur USB avec manuel d'utilisation, UPDD driver (pour les ordinateurs Apple) et dernière version de firmware

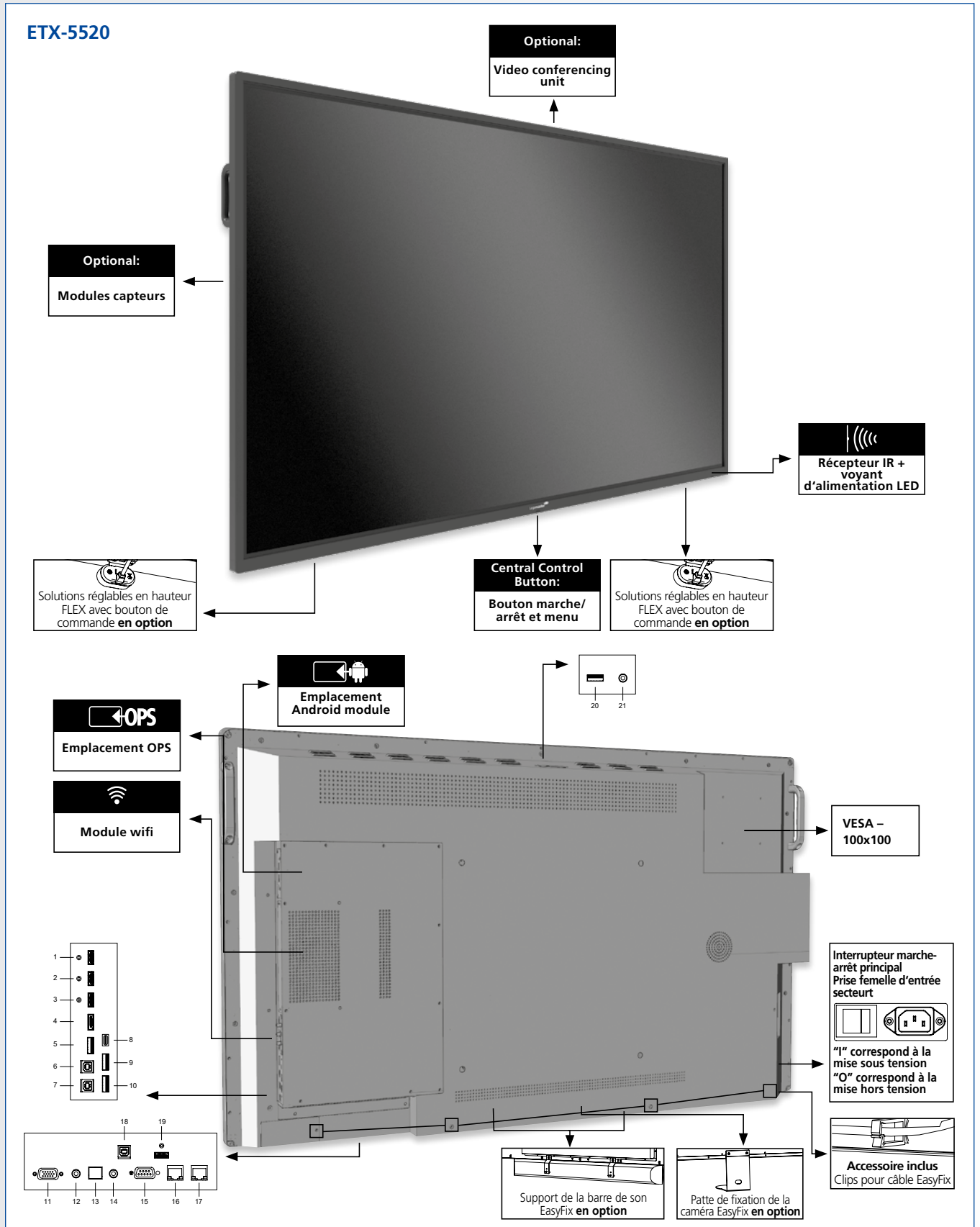
## 4. INSTALLATION

### 4.1. CONDITIONS AMBIANTES

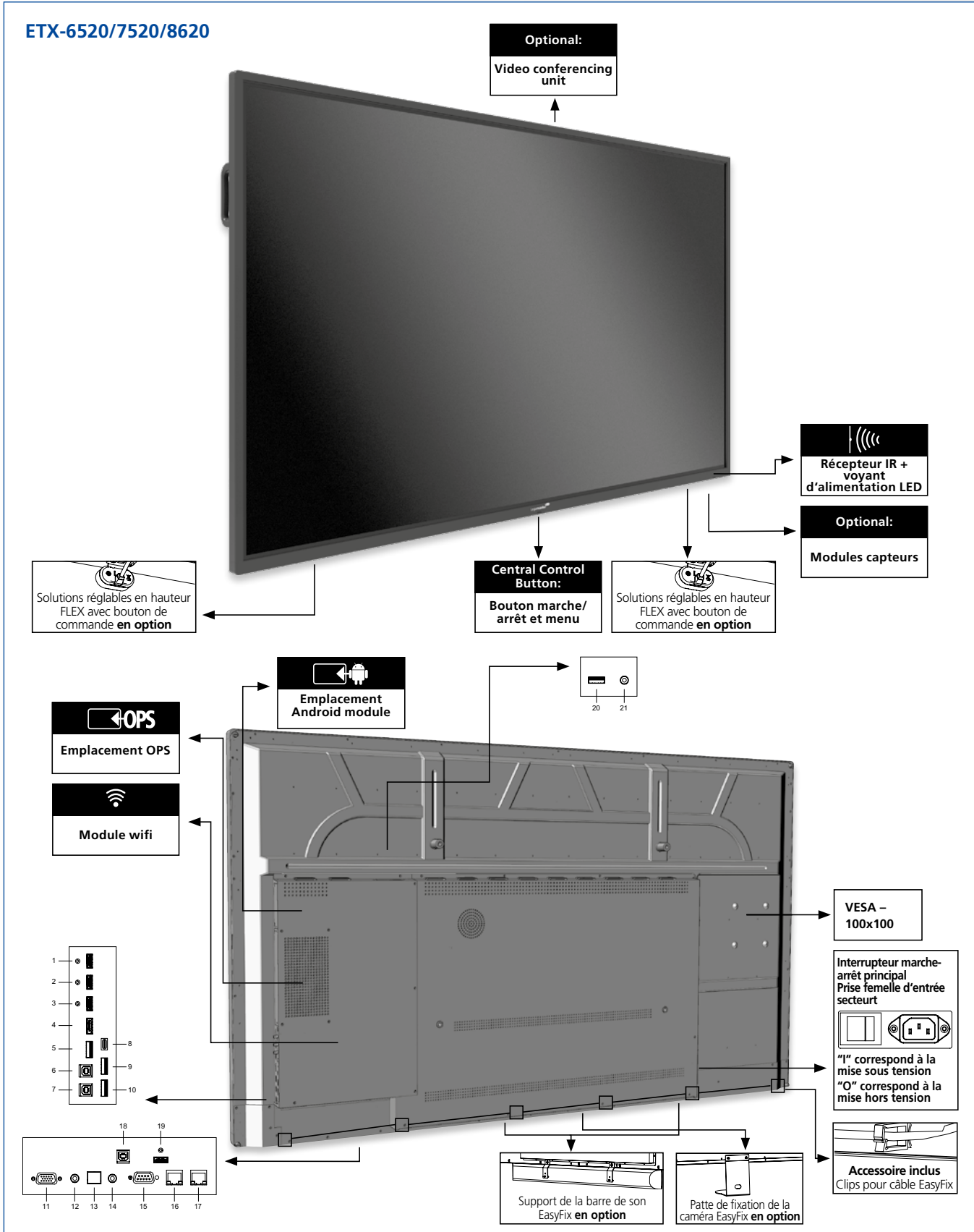
Lors de l'utilisation de l'écran, les conditions ambiantes de la pièce ne doivent pas être supérieures à celles indiquées ci-après:

- Température de fonctionnement : De -5 °C à 45 °C (de 41 °F à 104 °F)
- Humidité : inférieure à 90 % HR (max.)

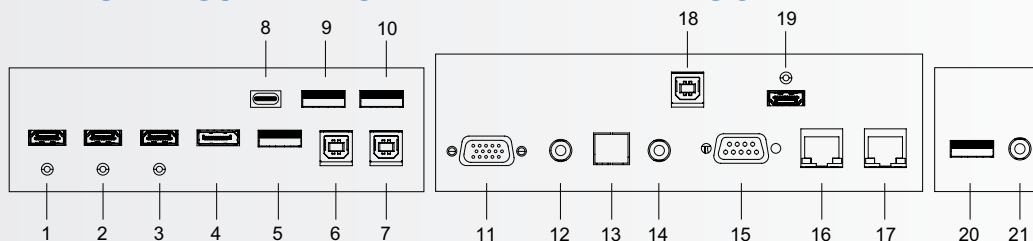
## 4.2. VUE GÉNÉRALE DE L'ÉCRAN



ETX-6520/7520/8620

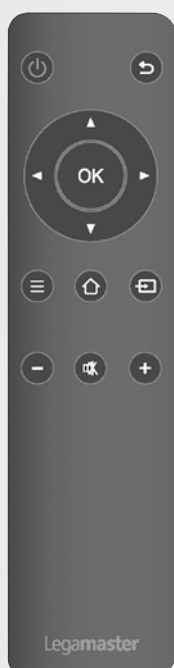


## 4.3. PANNEAU DE CONNEXION D'ENTRÉE ET DE SORTIE



1	<b>Sortie HDMI</b> Peut être utilisée pour raccorder l'e-Screen à un moniteur externe.	11	<b>Entrée VGA (D-Sub 15 broches)</b> Permet de connecter des composants RVB ou des jacks de sortie d'un composant, tels qu'un ordinateur personnel
2	<b>HDMI (ARC)</b> Entrée vidéo numérique conforme à HDCP pour appareils compatibles ARC.	12	<b>Entrée audio du PC</b> Permet de connecter la sortie audio depuis un ordinateur personnel.
3	<b>HDMI 2</b> Entrées vidéo numérique conformes à HDCP permettant de connecter les sources HDMI		<b>SPDIF</b> Permet de connecter les haut-parleurs numériques alimentés externes ou un amplificateur/ récepteur audio
4	<b>DisplayPort</b> Conforme à DisplayPort 1.2, 1.1a et DisplayPort-HDCP 1.1, entrée SD/HD permettant de connecter les sources vidéo des composants SDTV, EDTV ou HDTV.	13	<b>Sortie audio</b> Permet de connecter les haut-parleurs alimentés externes ou un amplificateur/ récepteur audio externe.
5	<b>USB 2.0</b> Port USB-A 2.0 permettant de connecter des appareils à l'aide d'un câble USB. Egalement utilisé comme port de service.	14	<b>Entrée RS232C</b> Un connecteur D-sub 9 broches permettant son raccordement à un PC ou à un système de commande
6	<b>Touch USB 1</b> Port USB standard, de type B, pour la fonctionnalité tactile de l'écran. Permet une liaison automatique à HDMI 1.	15	<b>Port du réseau local (LAN)</b> Un connecteur RJ-45 permettant de raccorder un PC ou le système d'automatisation/commande d'un home cinéma via un câble Cat 5.
7	<b>Touch USB 2</b> Port USB standard, de type B pour la fonctionnalité tactile de l'écran. Liaison à HDMI 2, DisplayPort et VGA.	16-17	<b>Touch USB 3</b> Un port USB standard, de type B, pour la fonctionnalité tactile de l'écran. Lié à HDMI 3.
8	<b>USB-C</b> Un port USB-C prenant en charge l'alimentation électrique, USB 3.0 et DisplayPort. Veuillez vous assurer que des câbles certifiés prenant en charge ces fonctionnalités sont utilisés.	18	<b>HDMI 3</b> Entrées vidéo numériques compatibles HDCP pour la connexion de sources HDMI.
9-10	<b>USB-A 3.0</b> Port USB-A 3.0 permettant de connecter des appareils à l'aide d'un câble USB.	19	<b>USB-A 3.0</b> Port USB 3.0 pour la connexion de l'EasyFix Video Conferencing Unit.
		20	<b>PC Audio In</b> Entrée audio pour la connexion de l'EasyFix Video Conferencing Unit.
		21	

## 4.4. TÉLÉCOMMANDE



Étiquette	Désignation
	Allumer ou éteindre l'écran
	Retour
	Boutons de navigation
	Sélectionner / confirmer (dans le menu) ou Freeze (press and hold enfoncée toute source sauf Android)
	Menu
	Home
	Pour sélectionner chaque source, en séquence
	Pour réduire le volume sonore
	Pour désactiver le son
	Augmenter le volume sonore

## 4.4.1. Remplacement des piles de la télécommande

### 1. Enlevez le couvercle des piles

Faites glisser le couvercle des piles et retirez-le dans le sens de la flèche.

### 2. Insérez les piles

Alignez les deux piles AAA et insérez-les en respectant la polarité (bornes positive et négative indiquées dans la télécommande).

### 3. Fermez le couvercle des piles

Reposez le couvercle des piles dans le sens de la flèche et enclenchez-le en place.

- I. L'élimination des piles usagées doit être conforme aux règlements locaux.
- II. Évitez de conserver d'anciennes piles usagées à l'intérieur de la télécommande, car cela provoque des fuites du liquide interne entraînant la rouille du métal ou l'endommagement irrémédiable de la télécommande.
- III. Piles à utiliser selon les instructions.



**ATTENTION**

### À propos de la télécommande

- Ne la faites pas tomber, ne la secouez pas et ne la cognez pas.
- Ne pas exposer à l'humidité, aux liquides, aux températures élevées et / ou aux lumière directe du soleil.
- Ne la démontez pas.

## 5. UTILISATIONS

Avant d'utiliser l'écran pour la première fois, veuillez le mettre à jour avec la dernière version du micrologiciel. Les écrans électroniques ETX peuvent être mis à jour de deux manières : par voie hertzienne (connexion Internet requise) ou à l'aide d'une clé USB.

Pour mettre à jour la dernière version du micrologiciel, ouvrez le menu de lancement rapide en appuyant sur le bouton de commande central de l'écran électronique. Dans ce menu, cliquez sur le bouton „Paramètres“ pour ouvrir le menu des paramètres.

Dans le menu des paramètres, sélectionnez „Appareil“, puis „Mises à jour du système“. La section des mises à jour est protégée par un code pin (pin par défaut = 0000)

1. Mise à jour locale : insérez une clé USB contenant un fichier update.zip (fourni avec l'écran) dans le port USB 2.0 sur le côté de l'écran. Sélectionnez „mise à jour locale“ et sélectionnez le lecteur USB. Le processus de mise à jour démarre.
2. Mise à jour Over-the-Air : Sélectionnez „Mise à jour en ligne“. Le système vérifiera si une nouvelle version du microprogramme est disponible. Si une version plus récente est disponible, le système demandera une mise à jour. Veuillez confirmer, après quoi le processus de mise à jour commencera

POUR LES QUESTIONS FRÉQUEMMENT POSÉES, VEUILLEZ CONSULTER LE SITE :

[WWW.FAQ.LEGAMASTER.COM](http://WWW.FAQ.LEGAMASTER.COM)

## 5.1. ALLUMER ET ÉTEINDRE L'ÉCRAN

Veillez vous assurer que l'écran est branché sur une prise de courant alternatif à l'aide du câble d'alimentation fourni. Réglez l'interrupteur CA sur „I“. L'écran sera en mode veille (indiqué par un voyant rouge)

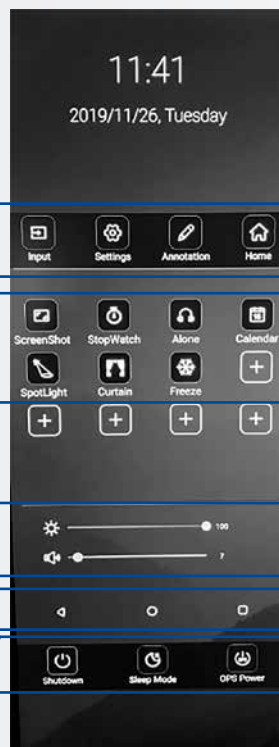
Pour allumer l'écran, appuyez une fois sur le bouton de commande central ou sur le bouton d'alimentation de la télécommande.

Pour éteindre le moniteur, appuyez sur le bouton de commande central et maintenez-le enfoncé pendant 2 secondes, ou appuyez sur le bouton d'alimentation de la télécommande. L'écran passe alors en mode veille.

Pour couper complètement le courant, mettez l'interrupteur CA sur „O“ ou débranchez le cordon d'alimentation CA de la prise de courant.

## 5.2. MENU DE LANCEMENT RAPIDE

En appuyant une fois sur le bouton de commande central, le menu de lancement rapide s'ouvre. Ce menu personnalisable permet d'accéder rapidement aux fonctions les plus courantes de l'écran.



- Entrée : Cliquez pour sélectionner l'entrée / la source souhaitée
- Réglages : Ouvre le menu des paramètres (voir 5.4)
- Outil d'annotation
- Home : Ouvre le lanceur Android

- Capture d'écran : effectue une capture d'écran instantanée et l'enregistre dans le système de fichiers, ou lorsqu'une clé USB est insérée (dans un port USB 3.0) dans le lecteur USB
- Chronomètre : Ouvre un écran d'horloge avec des fonctions de minuterie, de chronomètre et d'alarme
- Seul : Éteint l'écran, mais continue à jouer le son. Réveille l'écran en le touchant avec 2 doigts.
- Calendrier : ouvre un calendrier
- Pleins feux : Active un projecteur. Le projecteur peut être déplacé, agrandi ou réduit.
- Rideau : active la fonction rideau
- Ne bougez plus : Gèle l'écran. Pour le débloquer, appuyez à nouveau sur l'icône „geler“.

- Curseur de luminosité
- Volume-slider

- Boutons d'alimentation :
- Shutdown : éteint l'écran et, le cas échéant, l'ordinateur OPS.
  - Mode veille : induit un mode dans lequel l'écran et l'audio sont éteints, mais dont l'écran peut se remettre en marche en un clin d'œil en touchant l'écran avec 2 doigts, ou en appuyant sur le bouton de contrôle central
  - OPS-power : permet d'allumer ou d'éteindre l'ordinateur OPS.




- Boutons d'action :
- < Retour / écran précédent
  - O Home (écran d'accueil du lanceur Legamaster)
  - □ vue d'ensemble : Montre toutes les applications ouvertes et permet aux utilisateurs de passer rapidement d'une application à l'autre ou de fermer toutes les applications ouvertes en même temps.

## 5.3. FLOAT MENU

Un menu flottant s'affiche lorsque vous glissez vers le haut à partir du bord inférieur de l'écran.



Dans ce menu flottant, vous trouverez 3 boutons d'action dotés des fonctionnalités suivantes:

-  Retour : vous ramène à l'écran précédent
-  Home : vous ramène à l'écran d'accueil du lanceur Legamaster
-  Vue d'ensemble : Affiche toutes les applications ouvertes et permet aux utilisateurs de passer rapidement d'une application à l'autre ou de fermer toutes les applications ouvertes en même temps.

## 5.4. SETTINGS MENU

Ci-dessous, vous trouverez un aperçu complet du menu des paramètres de l'écran électronique de l'ETX-XX20, ainsi qu'une explication des paramètres.

MAIN SETTINGS CATEGORY	SETTING CATEGORY	LEVEL1	LEVEL2	VALUES	EXPLANATION
NETWORK & CONNECTED DEVICES	Ethernet	MAC address			shows the MAC address for the wired connection
		IP address			shows the IP address for the wired connection
		Ethernet		ON/OFF	Toggle ethernet-connection on / off for the screen itself. Disabling this does not disable ethernet for the OPS
	Wi-Fi	MAC address			shows the MAC address for the Wi-Fi connection
		IP address			shows the IP address for the Wi-Fi connection
		Wi-Fi		ON/OFF	Toggle Wi-Fi on and off
	Portable hotspot	Hotspot		ON/OFF	Toggle the hotspot-functionality on / off
		Setup Wi-Fi hotspot			Set-up the hotspot
	Bluetooth	MAC address			show the MAC address for the bluetooth adapter
		Blooth		ON/OFF	Toggle bluetooth on/ off, show / connect with available devices
DEVICE	Picture			Standard	Select pre-set picture modes
		Picture mode		Dynamic	
				Soft	
				User	Picture mode where settings can be adjusted manually in ,Advanced'
				User	Choose a power-mode: User = manual brightness setting, Auto = Automatic brightness setting based on ambient light conditions, balanced = brightness 75, ECO = brightness 50, DCR = 100. Power consumption varies based on these settings.
		Power mode		Auto	
				Balanced	
				ECO Friendly	
				DCR	
				Standard	Select a color temperature mode
		Color temprature		Cool	
				Warm	
		Eye protect		ON/OFF	Toggle Eye Protect mode on / off. When enabled, the brightness will be reduced when writing.
		Anti blue light		ON/OFF	Toggle Anti blue light on / off. When enabled the amount of blue light will be reduced.
		Backlight		0-100	Manually adjust the brightness. Using this setting will change the power mode setting to ,Manual'

# UTILISATIONS

MAIN SETTINGS CATEGORY	SETTING CATEGORY	LEVEL1	LEVEL2	VALUES	EXPLANATION		
DEVICE	Picture	Advanced	Contrast	0-100	In Picture mode ,User', use these settings to manually adjust the picture settings		
			Brightness	0-100			
			Saturation	0-100			
			Sharpness	0-100			
			PC mode	PC / Video	Allows switching to Video mode, in which ,Overscan' can be used		
			Display mode	16:9/P2P	Toggle picture aspect mode		
			MEMC	Off/Low/Middle/High	Change the MEMC level		
			Overscan	ON/OFF	toggle between overscan on and off.		
			HDR	ON/OFF	toggle between HDR on and off.		
		VGA auto adjust		toggle VGA auto adjust o / off when receiving a VGA signal			
	Sound	Audio output		Speaker/SPDIF/ARC/Bluetooth	Choose the Audio output		
		Sound mode		Standard/Music/Movie/Sports/User	Select a pre-set sound mode. ,User' allows manual sound settings		
		SPDIF mode		RAW/PCM	Toogle SP/DIF mode between RAW / PCM		
		AVC		ON/OFF	toggle AVC on / off		
		Sound Effect		ON/OFF	toggle sound effect on / off		
		Volume		0-100	set volume		
		Balance		0-100	set balance		
		EQ 120Hz		0-100	Manually adjust settings, when sound mode is set to , User'		
		EQ 500Hz		0-100			
EQ 1.5KHz			0-100				
EQ 5KHz		0-100					
EQ 10KHz		0-100					
SYSTEM	Security	Change password			Change your password		
		Safe mode		ON/OFF	Safe mode password-protects the complete settings menu, file browser and....		
		App lock			Select individual apps that will be password-protected		
		App install/uninstall lock		ON/OFF	App (de)install lock disables (de)installation of apps		
		Touch lock		ON/OFF	Touch lock disables touch functionality		
		Keypad lock		ON/OFF	Keypad lock disables use of the Central Control Button		
		IR lock		ON/OFF	IR lock disables use of the remote control		
		Network lock		ON/OFF	Network lock disables ethernet, Wifi and Bluetooth connections		
	Manage apps	Installed apps			manage user-installed apps(FORCE STOP/UNINSTALL/CLEAR DATA)		
		All apps			manage all apps(FORCE STOP/DISABLE/CLEAR DATA)		
	Power	Power-on / shutdown timer	Shutdown timer			set the shutdown timer	
			Power-on timer			set the power-on timer	
		Power on settings	Power on mode	Direct		Direct	set power on mode to direct
				Standby		Standby	set power on mode to standby
				Memory		Memory	set power on mode to memory
			Power on source		Memory/Android/PC/HDMI1/HDMI2/HDMI3/DP/USB_C/VGA	Choose the source in which the screen powers-on	
			Power on volume		Memory/User	Set the power-on volume. In ,User' users can select a power-on volume manually	
			Volume setting		0-100	Set the power-on volume	
			Boot OPS at power-on		ON/OFF	Choose wether the OPS boots automatically when the screen is power-on	
		Wake on lan		ON/OFF	Enable / disable wake on Lan		
		Motion Wake-up		ON/OFF	Enable / disable motion wake-up by the proximity sensor		
		Motion Detection		Off/1/15/30/45/60 minutes	Dis- / enable the proximity sensor to put the screen in sleep mode when no motion is detected by the proximity sensor		
		Shutdown timer		OFF/1/10/20/30/60/90/120/180 minutes	set a shutdown timer		
Auto shutdown		Off/1/3/5/10 minutes	Shuts down the screen when there's no signal				



MAIN SETTINGS CATEGORY	SETTING CATEGORY	LEVEL1	LEVEL2	VALUES	EXPLANATION	
OTHERS	More	Auto sense		OFF/Prompt/Direct	Select the auto sense mode. In auto sense, the screen will detect new active signals and switch to that source automatically (direct), or when confirmed (prompt). When a signal is switched off, autosense will automatically check for other active sources in the sequence OPS slot, HDMI 1, HDMI 2, HDMI 3, DisplayPort, USB C, VGA always ending in the Android launcher (when enabled)	
		Temperature protection		ON/OFF	With temperature protection, a user can set an alarm temperature in which the screen will shutdown automatically	
		Current temperature		0-100	shows the current temperature of the screen	
		Alarm temperature		50-100	set the alarm temperature value. When reached, the screen will automatically shutdown to prevent further temperature increase	
		HDMI	HDMI out		1080p 60Hz/2160p 30Hz/2160p 60Hz	set the HDMI out signal
			HDMI EDID version		EDID 1.4/EDID 2.0	set the HDMI EDID version
		Date & time	Automatic date & time		ON/OFF	Automatic date and time requires an active internet connection. Disabling this setting allows users to manually set the date & time
			Date			Show or set the current date
			Time			show or set the current time
			Time zone			set the time zone
		Use 24-hour format		ON/OFF		Choose between a 12 or a 24 hr time format
			Languages		Deutsch/English/Francais/Nederlands	set the language
		Keyboard & inputs	Current Keyboard			Shows the current keyboard / allows users to switch keyboards
			Android Keyboard (AOSP)			Configure the default (AOSP) keyboard
			Manage keyboards			Manage keyboards
		Individuation	Set wallpaper			change and set the wallpaper
			Set ,no input' wallpater			change and set the no input wallpaper
	Set source label				Label various sources for easier recognition	
	Device	Device name			show or change the device name	
		Device model			shows the device model	
		System information	Firmware version		shows all system information	
		System Updates	Local update			Updates the systems firmware using a USB-drive
			Online update			Checks for updates online
Reset				restore factory settings. NOTE! This will erase all custom settings, data and custom apps from your system		

## 5.5. MISE À JOUR DE L'ÉCRAN

Les e-Screens ETX-xx20 (PLUS) peuvent être mis à jour avec une nouvelle version de firmware. Les mises à jour peuvent être effectuées à l'aide d'un\_x000D\_ Clé USB ou over-the-air"

### 5.5.1 Mise à jour de l'écran électronique à l'aide d'une clé USB

Chargez le fichier update.zip sur une clé USB, et insérez-le dans le port USB 2.0 sur le côté de l'écran ETX e-Screen. Allez à le menu des paramètres de l'écran électronique ETX. Dans la section Autres" du menu, sélectionnez „Appareil“. Sélectionnez „Mises à jour du système“ et choisissez „mise à jour locale“. Entrez le code PIN du système, puis sélectionnez la clé USB avec le fichier update.zip Suivez les instructions jusqu'à ce que vous soyez prêt“ .

Après avoir terminé le processus de mise à jour, veuillez éteindre complètement le système (en utilisant l'interrupteur CA).

### 5.5.2 Mise à jour de l'écran électronique „en direct

Assurez-vous que l'ETX e-Screen dispose d'une connexion internet active. Allez dans le menu des paramètres de l'ETX e-Screen. disponible, cliquez sur le bouton „télécharger“ pour lancer le processus de mise à jour“. Dans la section Autres" du menu, sélectionnez „Appareil“. Sélectionnez „Mises à jour du système“ et choisissez „Mise à jour en ligne“. Saisissez le code pin du système. Le système vérifiera les mises à jour disponibles. Lorsqu'une version plus récente du firmware est disponible, cliquez sur le bouton „télécharger“ pour lancer le processus de mise à jour“ .

NOTE : veuillez vérifier que l'URL du serveur est correcte <http://68.66.241.101:8080/ota/upgrade>

Après avoir terminé le processus de mise à jour, veuillez éteindre complètement le système (en utilisant l'interrupteur CA).

## 5.6. ACTIVATION / DÉSACTIVATION D'ANDROID

Les e-Screens ETX-XX20 (PLUS) offrent aux utilisateurs la possibilité de désactiver Android. Pour désactiver ou activer Android, utilisez la télécommande\_x000D\_ contrôle fourni avec l'écran.

(lentement) Appuyez sur : Source / Gauche / Droite / Plus / Moins

Un prompt apparaîtra (Android enable) ; sélectionnez ON pour activer Android, appuyez sur OFF pour le désactiver

NOTE : la désactivation d'Android limite les fonctionnalités de l'écran. Certains paramètres ne sont pas accessibles ou modifiables\_x000D\_ après qu'Android ait été désactivé.

## 6. UTILISATION TACTILE

Pour pouvoir contrôler différentes sources (compatibles) en utilisant les fonctions tactiles de l'e-Screen, il faut une connexion dédiée entre l'e-Screen et la source via un câble USB (fourni):

1. Connectez la source à l'écran à l'aide d'un câble vidéo (VGA, HDMi, DisplayPort)
2. Utilisez le câble USB fourni pour connecter la source à l'écran en utilisant le connecteur USB-A pour la source et le connecteur USB-B sur l'écran.
3. Allumez l'écran et la source. Il peut falloir jusqu'à 5 secondes pour que la fonctionnalité tactile devienne active.
4. lorsqu'un câble USB-C à USB-C approprié est utilisé, la vidéo, l'alimentation électrique et la connectivité tactile sont\_x000D\_ managed over 1 cable.

## 7. CARACTÉRISTIQUES TECHNIQUES

LOGISTIQUE DU PRODUIT	ETX-8620	ETX-7520	ETX-6520	ETX-5520
Dimensions du carton	2139x1363x231	1875x1186x231	1676x1097x231	1414x901x232
Poids gross	85	75,8	56	45
SAP / EAN (GTIN) / N° REF. (KEA)	868007000 / 8713797092500 / 7-803120-86	868006000 / 8713797092494 / 7-803120-75	868005000 / 8713797092487 / 7-803120-65	868004000 / 8713797092470 / 7-803120-55
SPÉCIFICATIONS DU PRODUIT				
Diagonale	86" (85.6")	75" (74.52")	65" (64.53")	55" (54.64")
Technologie d'écran plat	TFT LCD	TFT LCD	TFT LCD	TFT LCD
Résolution de l'écran	3840 x 2160	3840 x 2160	3840 x 2160	3840 x 2160
Luminosité	350 cd / m <sup>2</sup>	350 cd / m <sup>2</sup>	350 cd / m <sup>2</sup>	350 cd / m <sup>2</sup>
Rapport de contraste	1200 : 1	4000:1	4000:1	4000:1
Temps de réponse	8 ms	8 ms	9 ms	9 ms
Fréquence d'images	60 Hz	60 Hz	60 Hz	60 Hz
Angle de vision (H / V)	178° / 178°	178° / 178°	178° / 178°	178° / 178°
Couleur supportees	1.07B (10-bit)	1.07B (10-bit)	1.07B (10-bit)	1.07B (10-bit)
Technologie d'écran plat	Direct LED	Direct LED	Direct LED	Direct LED
Durabilite	> 40.000 Hours	> 40.000 Hours	> 40.000 Hours	> 40.000 Hours
Orientation de l'écran	Paysage	Paysage	Paysage et portrait	Paysage et portrait
CPU	ARM Cortex A73x2; Cortex A53x2	ARM Cortex A73x2; Cortex A53x2	ARM Cortex A73x2; Cortex A53x2	ARM Cortex A73x2; Cortex A53x2
GPU	G51MP4	G51MP4	G51MP4	G51MP4
Systeme d'exploitation	Android 8.0	Android 8.0	Android 8.0	Android 8.0
Mémoire	4 GB	4 GB	4 GB	4 GB
On-Board Storage	32GB	32GB	32GB	32GB
Système tactile de détection	Infrarouge avancé de haute précision	Infrarouge avancé de haute précision	Infrarouge avancé de haute précision	Infrarouge avancé de haute précision
Nombre de points tactiles	32 Point Ø5 point Ø3mm	32 Point Ø5 point Ø3mm	32 Point Ø5 point Ø3mm	32 Point Ø5 point Ø3mm
Temps de réponse	<= 10 ms	<= 10 ms	<= 10 ms	<= 10 ms
Precision tactile	>= Ø 3 mm	>= Ø 3 mm	>= Ø 3 mm	>= Ø 3 mm
Résolution tactile	32771 x 32768	32770 x 32768	32769 x 32768	32768 x 32768
Connecteurs d'entrée	HDMI 2.0 ARC x 1 / HDMI 2.0 x 2 / DisplayPort x 1 / USB-A 3.0 x 3 + 2.0 x 1 / USB-C x 1 / VGA + 3.5mm jack x 1 / RS-232C x 1 / LAN RJ45 x 2			
Connecteurs de sortie	HDMI (4k@60Hz) x 1 / Optical (SPDIF) out x 1 / 3.5mm audio jack x 1 / Touch-out USB-B x 3			
Emplacement pour le projecteur	Oui	Oui	Oui	Oui
Emplacement Android	Oui	Oui	Oui	Oui
Wifi (module enfichable / amovible)	802.11a/b/g/n/ac, Bluetooth v. 5			
Enceinte	15 W x 2 / 8 Ω	15 W x 2 / 8 Ω	15 W x 2 / 8 Ω	15 W x 2 / 8 Ω
Subwoofer	15 W	15 W	15 W	15 W
Dimensions du produit	1959.5x1140.2x89.3	1714.7x1002.8x89.3	1490.5x875.5x89.3	1285.5x766.2x90
Poids net	66	55,9	43	34,3
Interface de montage	600 x 800 (mm), M8 Screw. Avec un adaptateur 400x600		400 x 600 (mm), M8 Screw	400 x 400 mm, M8 Screw
Verre	4mm Tempered Anti-Glare	4mm Tempered Anti-Glare	4mm Tempered Anti-Glare	4mm Tempered Anti-Glare
Alimentation électrique	AC 100-240 V 50 / 60 Hz	AC 100-240 V 50 / 60 Hz	AC 100-240 V 50 / 60 Hz	AC 100-240 V 50 / 60Hz
Consommation de courant	360	295	160	125
Consommation de courant (en veille)	<= 0.5 W	<= 0.5 W	<= 0.5 W	<= 0.5 W
ECO Sensor	Oui	Oui	Oui	Oui
Température de fonctionnement	0 - 40 °C	0 - 40 °C	0 - 40 °C	0 - 40 °C
Température de stockage	-20 - 60 °C	-20 - 60 °C	-20 - 60 °C	-20 - 60 °C
Humidité de fonctionnement	20 - 80 %RH (No Condensation)	20 - 80 %RH (No Condensation)	20 - 80 %RH (No Condensation)	20 - 80 %RH (No Condensation)
Humidité de stockage	10 - 90 %RH	10 - 90 %RH	10 - 90 %RH	10 - 90 %RH
Accessoires	telecommande, cable HDMI 5m, cable USB 5m, High Precision styllet pack (2pcs), Double side stylus, Easy-fix cable clips			

# CARACTÉRISTIQUES TECHNIQUES

LOGISTIQUE DU PRODUIT	ETX-8620 PLUS	ETX-7520 PLUS	ETX-6520 PLUS
Dimensions du carton	2139x1363x231	1875x1186x231	1676x1097x231
Poids gross	tbd	tbd	tbd
SAP / EAN (GTIN) / N° REF. (KEA)	868034000 / 8713797092814 / 7-803120-86P	868033000 / 8713797092807 / 7-803120-75P	868032000 / 8713797092791 / 7-803120-65P
SPÉCIFICATIONS DU PRODUIT			
Diagonale	86" (85.6")	75" (74.52")	65" (64.53")
Technologie d'écran plat	TFT LCD	TFT LCD	TFT LCD
Résolution de l'écran	3840 x 2160	3840 x 2160	3840 x 2160
Luminosité	350 cd / m <sup>2</sup>	350 cd / m <sup>2</sup>	350 cd / m <sup>2</sup>
Rapport de contraste	1200 : 1	4000:1	4000:1
Temps de réponse	8 ms	8 ms	9 ms
Fréquence d'images	60 Hz	60 Hz	60 Hz
Angle de vision (H / V)	178° / 178°	178° / 178°	178° / 178°
Couleur supportees	1.07B (10-bit)	1.07B (10-bit)	1.07B (10-bit)
Technologie d'écran plat	Direct LED	Direct LED	Direct LED
Durabilité	> 40.000 Hours	> 40.000 Hours	> 40.000 Hours
Orientation de l'écran	Paysage	Paysage	Paysage et portrait
CPU	ARM Cortex A73x2; Cortex A53x2	ARM Cortex A73x2; Cortex A53x2	ARM Cortex A73x2; Cortex A53x2
GPU	G51MP4	G51MP4	G51MP4
Système d'exploitation	Android 8.0	Android 8.0	Android 8.0
Mémoire	4 GB	4 GB	4 GB
On-Board Storage	32GB	32GB	32GB
Système tactile de détection	Infrarouge avancé de haute précision	Infrarouge avancé de haute précision	Infrarouge avancé de haute précision
Nombre de points tactiles	32 Point Ø5 point Ø3mm	32 Point Ø5 point Ø3mm	32 Point Ø5 point Ø3mm
Temps de réponse	<= 10 ms	<= 10 ms	<= 10 ms
Precision tactile	>= Ø 3 mm	>= Ø 3 mm	>= Ø 3 mm
Résolution tactile	32771 x 32768	32770 x 32768	32769 x 32768
Connecteurs d'entrée	HDMI 2.0 ARC x 1 / HDMI 2.0 x 2 / DisplayPort x 1 / USB-A 3.0 x 3 + 2.0 x 1 / USB-C x 1 / VGA + 3.5mm jack x 1 / RS-232C x 1 / LAN RJ45 x 2		
Connecteurs de sortie	HDMI (4k@60Hz) x 1 / Optical (SPDIF) out x 1 / 3.5mm audio jack x 1 / Touch-out USB-B x 3		
Emplacement pour le projecteur	Oui	Oui	Oui
Emplacement Android	Oui	Oui	Oui
Wifi (module enfichable / amovible)	802.11a/b/g/n/ac, Bluetooth v. 5		
Enceinte	15 W x 2 / 8 Ω	15 W x 2 / 8 Ω	15 W x 2 / 8 Ω
Subwoofer	15 W	15 W	15 W
Dimensions du produit	1959.5x1140.2x89.3	1714.7x1002.8x89.3	1490.5x875.5x89.3
Poids net	tbd	tbd	tbd
Interface de montage	600 x 800 (mm), M8 Screw. Supplied with mounted 400x600 adapter	600 x 800 (mm), M8 Screw. Supplied with mounted 400x600 adapter	400 x 600 (mm), M8 Screw
Verre	2mm Optical Bonded Tempered Anti-Glare		
Alimentation électrique	AC 100-240 V 50 / 60 Hz	AC 100-240 V 50 / 60 Hz	AC 100-240 V 50 / 60 Hz
Consommation de courant	360	295	160
Consommation de courant (en veille)	<= 0.5 W	<= 0.5 W	<= 0.5 W
ECO Sensor	Oui	Oui	Oui
Température de fonctionnement	0 - 40 °C	0 - 40 °C	0 - 40 °C
Température de stockage	-20 - 60 °C	-20 - 60 °C	-20 - 60 °C
Humidité de fonctionnement	20 - 80 %RH (No Condensation)	20 - 80 %RH (No Condensation)	20 - 80 %RH (No Condensation)
Humidité de stockage	10 - 90 %RH	10 - 90 %RH	10 - 90 %RH
Accessoires	telecommande, cable HDMI 5m, cable USB 5m, High Precision styllet pack (2pcs), Double side stylus, Easy-fix cable clips		

# SYNCHRONISATIONS PRISES EN CHARGE / COMMANDES SÉRIE

## 8. SYNCHRONISATIONS PRISES EN CHARGE

### VGA SOURCE

No.	Signal format
1	640x480/60HZ
2	640x480/75HZ
3	800x600/60Hz
4	800x600/75Hz
5	1024x768/60Hz
6	1024x768/75Hz
7	1280x768/60Hz
8	1280x1024/60Hz
9	1280x1024/75Hz
10	1600x1024/60Hz
11	1920x1080P/60Hz
12	1920x1080P/50Hz

### DP Source

No.	Signal format
1	640x480/60HZ
2	640x480/75HZ
3	800x600/60Hz
4	800x600/75Hz
5	1024x768/60Hz
6	1024x768/75Hz
7	1280x768/60Hz
8	1280x1024/60Hz
9	1280x1024/75Hz
10	1600x1024/60Hz
11	1920x1080P/60Hz
12	1920x1080P/50Hz
13	3840x2160/30Hz
14	3840x2160/60Hz
15	1280x720P/60Hz
16	1280x720P/50Hz
17	720x480P/60Hz
18	720x576P/50Hz

### HDMI SOURCE

No.	Signal format
1	640x480/60HZ
2	640x480/75HZ
3	800x600/60Hz
4	800x600/75Hz
5	1024x768/60Hz
6	1024x768/75Hz
7	1280x768/60Hz
8	1280x1024/60Hz
9	1280x1024/75Hz
10	1600x1024/60Hz
11	1920x1080P/60Hz
12	1920x1080P/50Hz
13	3840x2160/30Hz
14	3840x2160/60Hz
15	1280x720P/60Hz
16	1280x720P/50Hz
17	720x480P/60Hz
18	720x576P/50Hz
19	1920x1080I/60Hz
20	1920x1080I/50Hz

## 9. COMMANDES SÉRIE

### 9.1. COMMUNICATIONS SÉRIE

L'écran utilise un simple protocole de contrôle textuel pour recevoir les requêtes des dispositifs de contrôle et pour fournir des réponses à ces dispositifs. Cette section décrit comment envoyer des messages de contrôle par une liaison série entre l'écran et un système de contrôle/automatisation ou un PC exécutant un programme d'émulation de terminal tel que Windows® HyperTerminal ou Tera Term.

### 9.2. CONNEXION RS-232 ET CONFIGURATION DU PORT

Raccordez votre système de contrôle ou votre PC à l'entrée RS-232 de l'écran.

Configurez le contrôleur RS-232 ou le port série d'un PC comme suit: 115200, 8 bits, sans parité, 1 bit de stop.

## 9.3. RS232 INTERFACE

Default Port settings > Baudrate: 115200, Bits:8,Parity: None, Stopbit:1								
Main Item	Control Item	Commando	Type Write / Read	Value in HEX	Reply in HEX Format: STX data ETX (STX=start text / ETX = end tekst)	Reply in Ascii	Range	Note
Power Control and input source	Power control	Power OFF	W	02 50 57 44 3A 30 30 03	4F 4B	OK		
		Power ON	W	02 50 57 44 3A 30 30 31 03	4F 4B	OK		
		Get Power status	R	02 50 57 44 3A 3F 03	02 xx 03	Only second nibble of byte	0-1	0 = power OFF 1 = Power ON
	Backlight	Screen off (Blank)	W	02 42 4C 54 3A 30 30 03	4F 4B	OK		
		Screen on (Blank)	W	02 42 4C 54 3A 30 30 31 03	4F 4B	OK		
		Get Screen Status (blank)	R	02 42 4C 54 3A 3F 03	02 xx 03	Only second nibble of byte	0-1	0 = screen OFF 1 = Screen ON
		Backlight Level	W	02 42 4C 56 3A 3x 3x 03	4F 4B	OK	0 ~ 100	x = 0-9 Example: 30 30 30 = 0 30 35 30 = 50 31 30 30 = 100
	Get Backlight Level	R	02 42 4C 56 3A 3F 03	02 xx xx xx 03	Only second nibble of each byte	0 ~ 100		
	Input source	HDMI 1	W	02 49 4E 50 3A 30 30 38 03	4F 4B	OK		
		HDMI 2	W	02 49 4E 50 3A 30 30 39 03	4F 4B	OK		
		HDMI 3	W	02 49 4E 50 3A 30 31 30 03	4F 4B	OK		
		OPS (PC)	W	02 49 4E 50 3A 30 30 34 03	4F 4B	OK		
		Display Port	W	02 49 4E 50 3A 30 31 32 03	4F 4B	OK		
		USB-C	W	02 49 4E 50 3A 30 31 36 03	4F 4B	OK		
		VGA	W	02 49 4E 50 3A 30 30 35 03	4F 4B	OK		
		Get Current Source	R	02 49 4E 50 3A 3F 03	02 xx xx 03	Only second nibble of byte 5, 8, 9, 10, 12, 14, 16		5 = VGA 8 = HDMI1 9 = HDMI2 10 = HDMI3 12 = DP 14 = OPS 16 = USB-C
Picture	Picture	Set Picture Mode	W	02 50 49 43 3A 30 30 3x 03	4F 4B	OK	x = 0-3	30 = Dynamic 31 = Standard 32 = Soft 33 = User
		Get Picture mode	R	02 50 49 43 3A 3F 03	02 xx 03	Only second nibble of byte	x = 0-3	0 = Dynamic 1 = Standard 2 = Soft 3 = User
	Freeze	Freeze	W	02 4B 45 59 3A 30 33 35 03	4F 4B	OK		
Audio Control	Volume	Volume Down	W	02 4B 45 59 3A 30 31 33 03	4F 4B	OK		
		Volume UP	W	02 4B 45 59 3A 30 31 32 03	4F 4B	OK		
		Set Volume Level	W	02 56 4F 4C 3A 3x 3x 03	4F 4B	OK	0 - 100	x = 0-9 Example: 30 30 30 = 0 30 35 30 = 50 31 30 30 = 100
		Get Volume Level	R	02 56 4F 4C 3A 3F 03	02 xx xx xx 03	Only second nibble of each byte	0 - 100	
	Mute	Mute	W	02 4D 55 54 3A 30 30 31 03	4F 4B	OK		
		Unmute	W	02 4D 55 54 3A 30 30 30 03	4F 4B	OK		
	Sound mode	Sound mode	W	02 53 4E 44 3A 30 30 3x 03	4F 4B	OK	0-4	30 = Standard 31 = Music 32 = Movie 33 = Sport 34=User
		Get Sound mode	R	02 53 4E 44 3A 3F 03	02 xx 03	Only second nibble of Byte	0-4	0 = Standard 1 = Music 2 = Movie 3 = Sport 4=User

Default Port settings > Baudrate: 115200, Bits:8,Parity: None, Stopbit:1								
Commands	Keys	Menu	W	02 4B 45 59 3A 30 31 34 03	4F 4B	OK		
		Home	W	02 4B 45 59 3A 30 36 30 03	4F 4B	OK		
		Back	W	02 4B 45 59 3A 30 31 36 03	4F 4B	OK		
		Screenshot	W	02 4B 45 59 3A 30 36 32 03	4F 4B	OK		
		Input key	W	02 4B 45 59 3A 30 32 32 03	4F 4B	OK		
		Infor Key	W	02 4B 45 59 3A 30 32 34 03	4F 4B	OK		
		1	W	02 4B 45 59 3A 30 30 31 03	4F 4B	OK		
		2	W	02 4B 45 59 3A 30 30 32 03	4F 4B	OK		
		3	W	02 4B 45 59 3A 30 30 33 03	4F 4B	OK		
		4	W	02 4B 45 59 3A 30 30 34 03	4F 4B	OK		
		5	W	02 4B 45 59 3A 30 30 35 03	4F 4B	OK		
		6	W	02 4B 45 59 3A 30 30 36 03	4F 4B	OK		
		7	W	02 4B 45 59 3A 30 30 37 03	4F 4B	OK		
		8	W	02 4B 45 59 3A 30 30 38 03	4F 4B	OK		
		9	W	02 4B 45 59 3A 30 30 39 03	4F 4B	OK		
		0	W	02 4B 45 59 3A 30 30 30 03	4F 4B	OK		
		OK	W	02 4B 45 59 3A 30 31 35 03	4F 4B	OK		
			W	02 4B 45 59 3A 30 31 39 03	4F 4B	OK		
			W	02 4B 45 59 3A 30 32 30 03	4F 4B	OK		
	W	02 4B 45 59 3A 30 31 37 03	4F 4B	OK				
	W	02 4B 45 59 3A 30 31 38 03	4F 4B	OK				
Lock Options	Touch	Touch Lock	W	02 55 53 57 3A 30 30 34 03	4F 4B	OK		
		Touch Unlock	W	02 55 53 57 3A 30 30 35 03	4F 4B	OK		
		Get Touch Lock Status	R	02 55 53 57 3A 3F 03	02 xx 03	Only second nibble of byte	4-5	4 = Touch Lock ON 5 = Touch Lock OFF
	Keypad	Keypad Lock	W	02 55 41 44 3A 30 30 31 03	4F 4B	OK		
		Keypad Unlock	W	02 55 41 44 3A 30 30 30 03	4F 4B	OK		
		Get Keypad Lock Status	R	02 50 41 44 3A 3F 03	02 xx 03	Only second nibble of byte	0-1	0 = Keypad lock OFF 1 = Keypad Lock ON
	Remote	Remote Lock	W	02 49 52 4C 3A 30 30 31 03	4F 4B	OK		0-1
		Remote Unlock	W	02 49 52 4C 3A 30 30 30 03	4F 4B	OK		
		Get Remote Lock Status	R	02 49 52 4C 3A 3F 03	02 xx 03	Only second nibble of byte	0-1	0 = Remote Lock OFF 1 = Remote Lock ON
Screen Info	Lan	Get Ethernet Mac Adress	R	02 4D 41 43 3A 3F 03	4D 41 43 3A xx xx xx xx xx xx xx	MAC: ,adres'		ex: 0:15:45:F3:12:BA
	Software	Get Software Version	R	02 46 56 52 3A 3F 03	46 56 52 3A xx xx xx xx xx xx xx	FVR: ,version'		ex: FVR:568PH0009A 1002
		Get Software Date	R	02 46 56 54 3A 3F 03	46 56 54 3A xx xx xx xx xx xx xx	FVT: ,date'		ex: FVT:20200218
		Get Model	R	02 4D 44 54 3A 3F 03	4D 44 54 3A xx xx xx xx xx xx xx	MDT: ,model'		ex: MDT:Legamaster ETX6520 e-Screen
	Panel	Get Panel ID	R	02 50 49 44 3A 3F 03	02 xx xx xx 03	Only second nibble of each byte		Example: if ID =16 xx xx xx = 016
		Get Panel information	R	02 50 4E 4C 3A 3F 03	50 4E 4C 3A xx xx xx xx xx xx xx xx	PNL: ,panel'		panel in ascii
	Time	Get Total Work Time	R	02 53 53 53 3A 3F 03	53 53 53 3Axx xx xx xx xx 3A xx xx 3A xx	SSS: ,hours': inute': ,seconds'		SSS:00101:44:07

## 10. DÉPANNAGE

FOR FREQUENTLY ASKED QUESTIONS, TROUBLESHOOTING AND TIPS AND TRICKS, PLEASE VISIT:

[www.faq.legamaster.com](http://www.faq.legamaster.com)

## 11. CONFORMITÉ

**FCC:**

FCC CFR Titre 47 Partie 15 Sous-partie B

**CB:**

IEC62368-1

**CE:**

EN55032

EN55035

EN61000-3-2

EN61000-3-3

EN62368

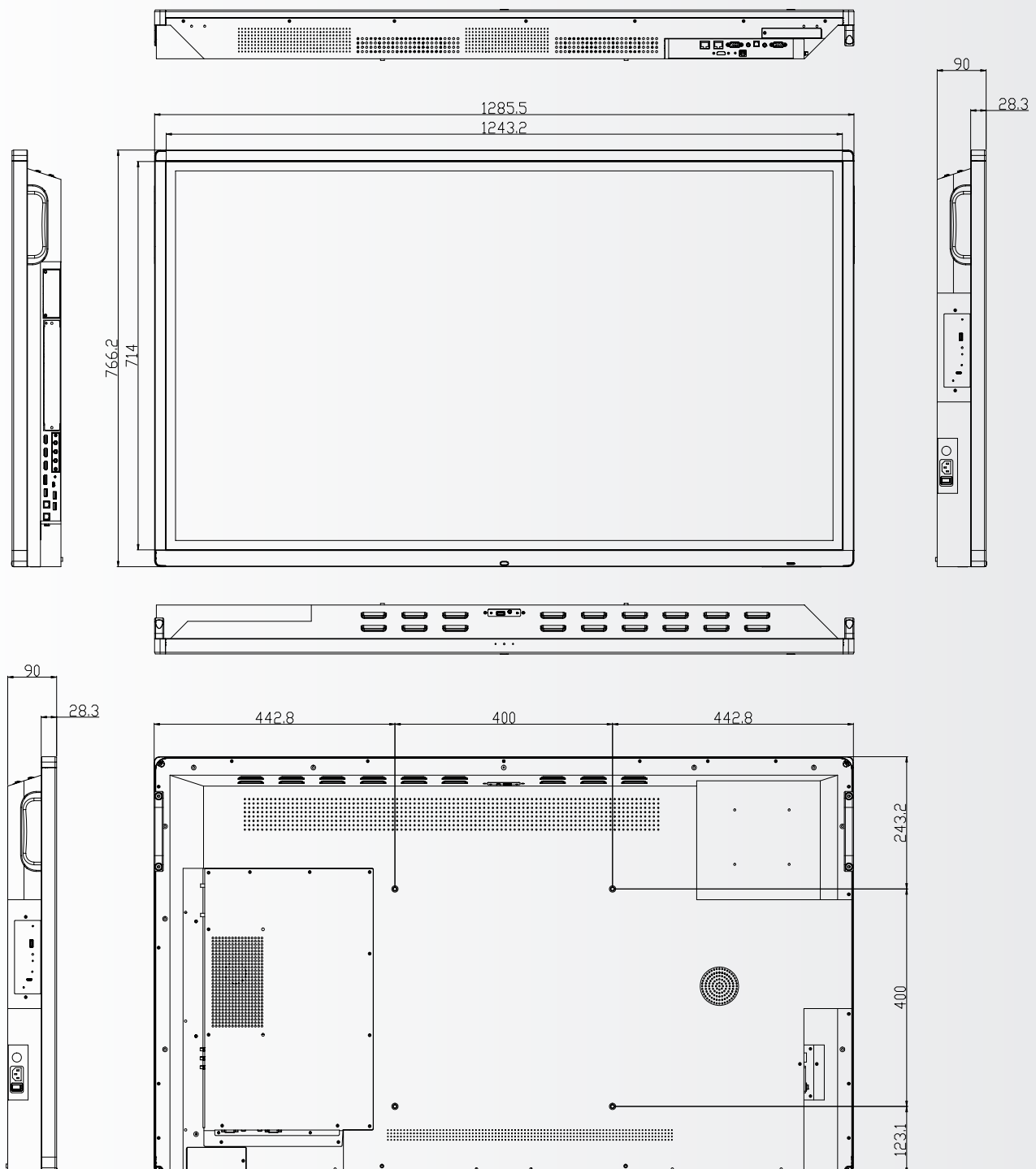


## 12. ANNEXE

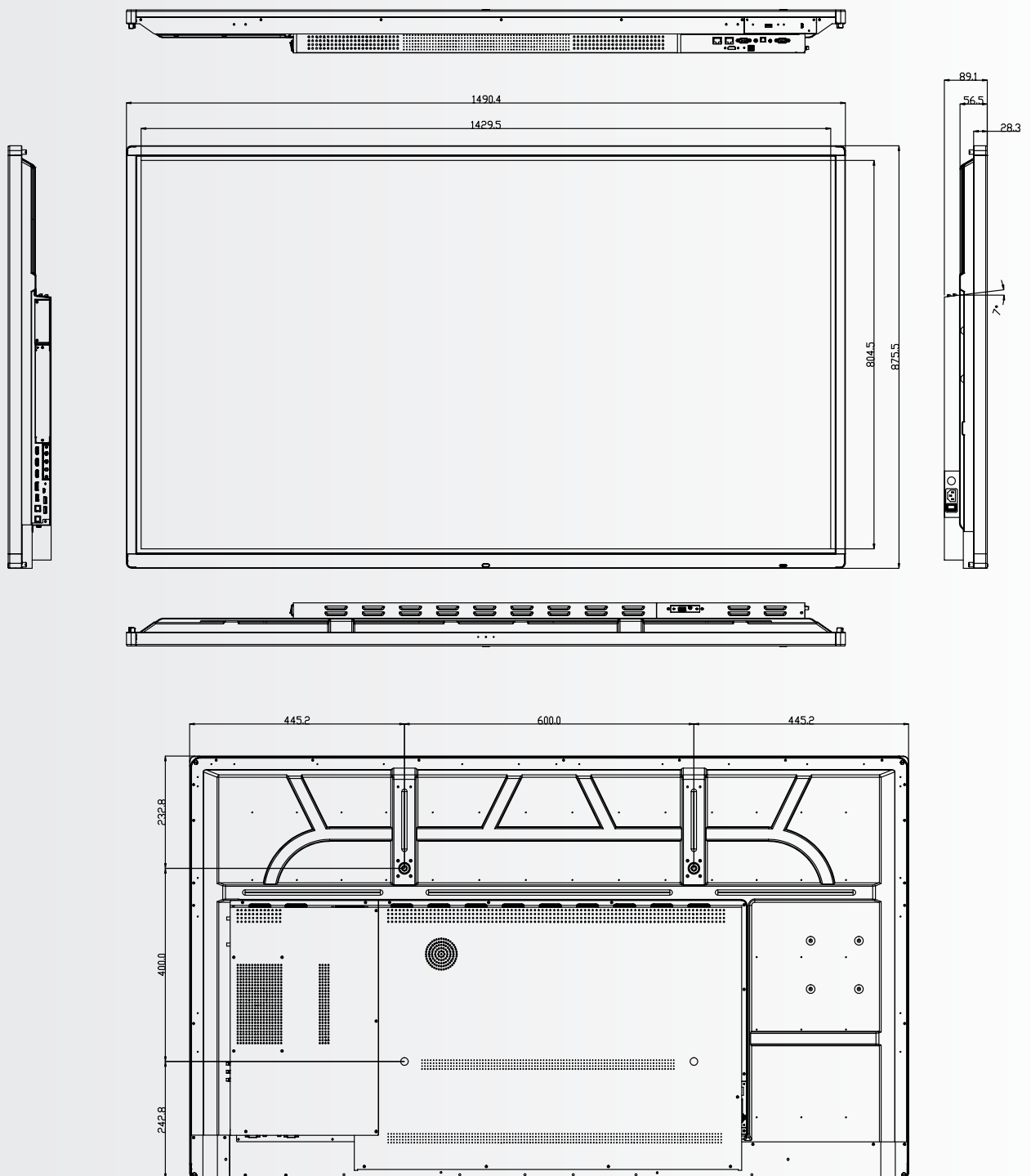
### 12.1. DIMENSIONS

L'illustration suivante indique les dimensions globales de l'écran :

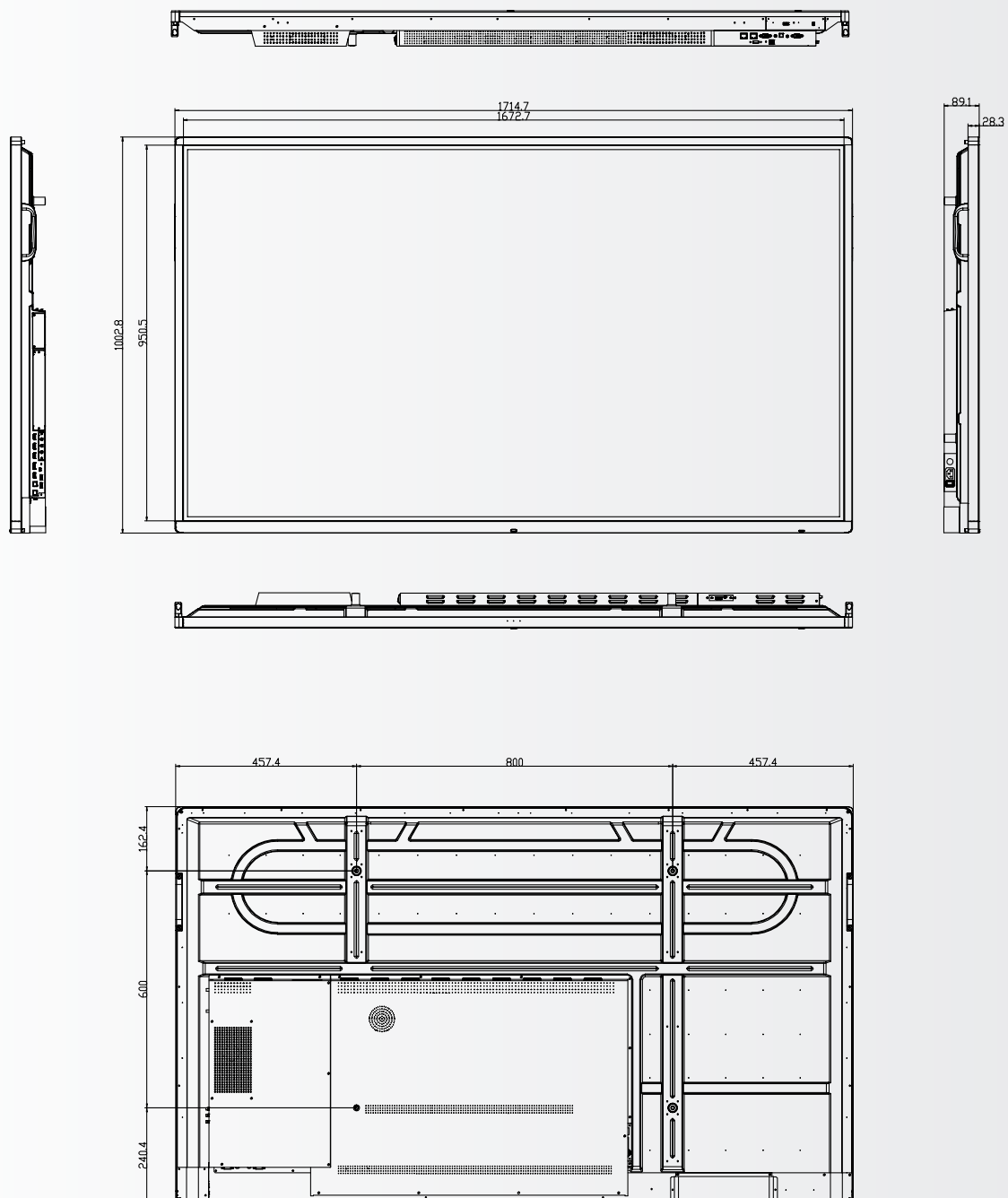
**ETX-5520**



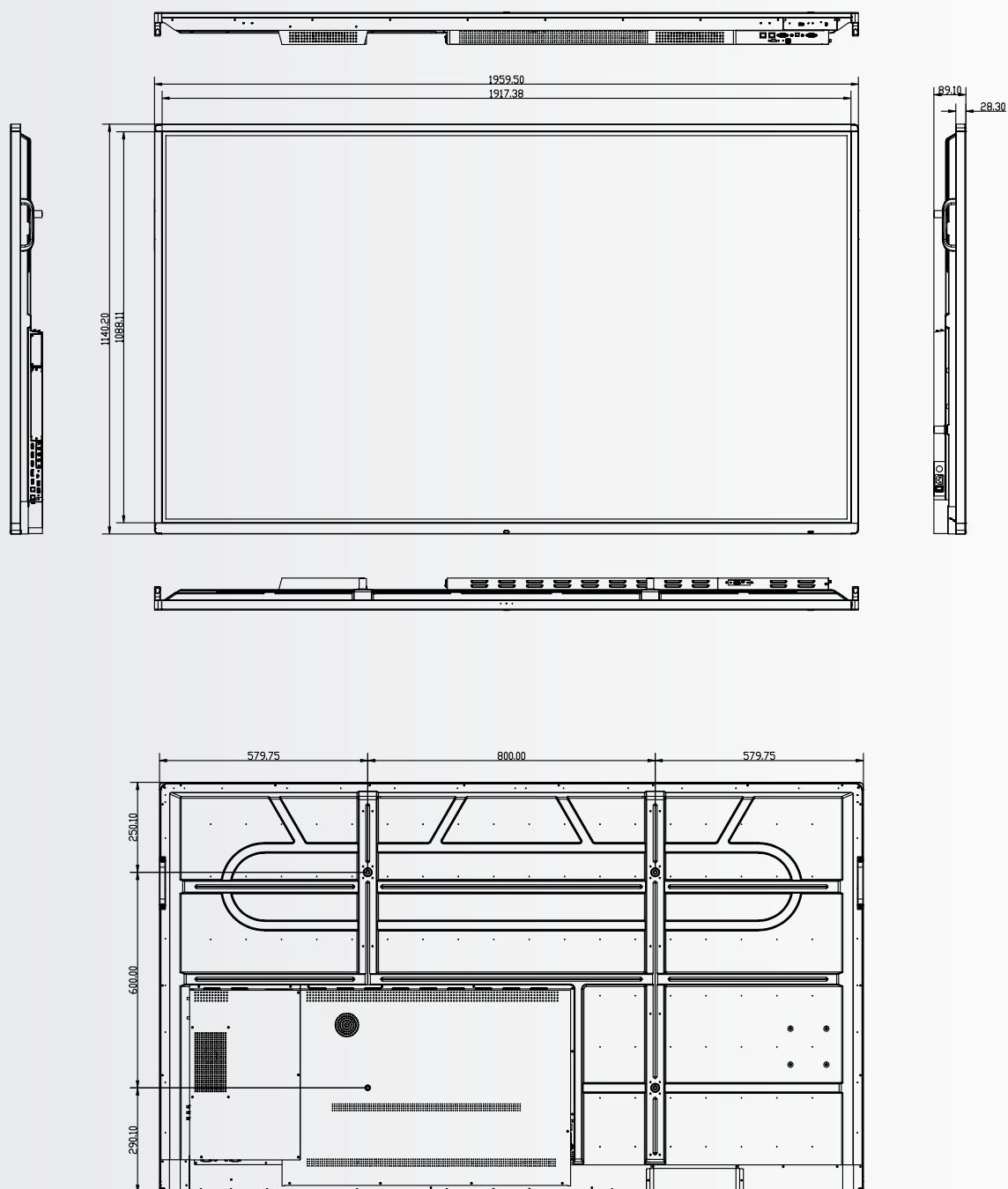
ETX-6520



## ETX-7520



## ETX-8620



## 13. ACCESSOIRES

### 13.1. EASYFIX VIDEO CONFERRING UNIT

Transforme instantanément l'écran ETX e-Screen en un écran de vidéoconférence complet.

#### 13.1.1 Spécifications

- Résolution de la caméra : 1920x1080 / 1280x720 @ 30 hz
- Pixels : 2 millions
- Angle (diagonale) : 85
- Réseau de 4 microphones, distance de captage de la voix jusqu'à 8 mètres
- Annulation automatique de l'écho
- Le pouvoir : DC 5V±0,2V, 60 Hz // 370 mA
- Systèmes d'exploitation pris en charge : Windows / Android

#### 13.1.2 Installation

- Utilisez les 2 vis et fixez l'appareil sur le cadre supérieur de l'écran électronique ETX-XX20 (PLUS)
- Branchez le câble USB dans la fente USB supérieure (n° 20)
- Branchez le câble audio dans le port d'entrée audio supérieur (n° 21)

#### 13.1.3 Fonctionnement

- L'appareil est plug-and-play, ouvrez n'importe quelle application sur Android, OPS ou tout PC connecté.

### 13.2. EASYFIX PROXIMITY SENSOR

Permettre à l'ETX e-Screen de passer du sommeil au réveil en fonction de la présence dans la chambre

#### 13.2.1 Spécifications

- Méthode de détection : Infrarouge
- Angle de détection : 100
- Portée de détection : 5-7 m
- DC 5V±0,5V
- Connexion : USB-A

#### 13.2.2 Installation

- Branchez l'appareil sur le port USB-A situé sur le cadre inférieur de l'écran, ou (ETX-5520 uniquement) sur le côté gauche de l'écran.
- Fixez l'appareil sur l'écran à l'aide des 2 vis fournies

#### 13.1.3 Fonctionnement

L'appareil est prêt à l'emploi. L'unité est contrôlée par les réglages ci-dessous, qui se trouvent dans le menu des réglages de l'écran électronique ETX-XX20. Accédez au menu des paramètres. Dans la partie „système“ du menu des paramètres, appuyez sur la touche „Power“ :

- Activez le paramètre „motion wake-up“ pour permettre au capteur de proximité de faire passer l'ETX e-Screen du mode veille au mode travail
- Utilisez le paramètre „détection de mouvement“ pour permettre à l'ETX e-Screen de se mettre en mode veille lorsqu'aucune présence n'est détectée dans le champ de vision du capteur de proximité pendant un certain temps.



## NEDERLANDS

### INHOUDSOPGAVE

1. Belangrijke informatie.....	87
1.1. Gebruik.....	87
1.2. Uitzonderingen.....	87
2. Veiligheidsinstructies.....	88
2.1. Voorzorgsmaatregelen.....	88
2.2. Instructies voor dragen en verplaatsen.....	89
2.3. Installatie.....	89
2.4. Veiligheidsmaatregelen voor wandbevestiging.....	90
2.5. Aanbevolen gebruik.....	91
2.6. Reinigen.....	92
3. Inhoud van de verpakking.....	93
3.1. Uitpakken.....	93
3.2. Meegeleverde accessoires.....	93
4. Installatie.....	93
4.1. Gebruiksomgeving.....	93
4.2. Algemeen overzicht van het scherm.....	94
4.3. Ingangs- en uitgangsaansluitingen Tabel.....	96
4.4. Afstandsbediening.....	96
5. Bediening.....	97
5.1. In- en uitschakelen van het display.....	98
5.2. Quick launch menu.....	98
5.3. Float menu.....	99
5.4. Settings menu.....	99
5.5. Updaten van het scherm.....	102
5.6. Android aan- en uitzetten.....	102
6. Touch-bediening.....	102
7. Specificaties.....	103
8. Ondersteunde tijdsinstellingen.....	105
9. Seriële opdrachten.....	105
9.1. Seriële communicatie.....	105
9.2. Aansluiting en configuratie van RS-232-poort.....	105
9.3. RS232 Interface.....	106
10. Problemen oplossen.....	108
11. Naleving van wet- en regelgeving.....	108
12. Bijlage.....	109
12.1. Afmetingen.....	109
13. Accessoires.....	113
13.1. EasyFix Video Conferencing Unit.....	113
13.2. EasyFix Proximity Sensor.....	113

## 1. BELANGRIJKE INFORMATIE



### WAARSCHUWING:

OM HET RISICO VAN BRAND OF EEN ELEKTRISCHE SCHOK TE BEPERKEN, DIT APPARAAT NOOIT AAN REGEN OF VOCHT BLOOTSTELLEN. DE GEPOLARISEERDE STEKKER VAN DIT APPARAAT NOOIT MET EEN VERLENGKABEL OF ANDERE STOPCONTACTEN GEBRUIKEN, TENZIJ DE PINNEN DAAR VOLLEDIG IN KUNNEN WORDEN GESTOKEN. DE BEHUIZING NIET OPENMAKEN. DEZE BEVAT HOOGSPANNINGSCOMPONENTEN.



### LET OP:

OM HET RISICO VAN EEN ELEKTRISCHE SCHOK TE BEPERKEN, ALTIJD DE STEKKER UIT HET STOPCONTACT HALEN. OM DE ELEKTRISCHE VOEDING VOLLEDIG AF TE SLUITEN, DE STEKKER VAN DE VOEDINGSKABEL UIT HET STOPCONTACT HALEN. DE DEKPLAAT (OF ACHTERKANT) NIET VERWIJDEREN. DIT APPARAAT BEVAT GEEN ONDERDELEN DIE DOOR DE GEBRUIKER GEREPAREERD KUNNEN WORDEN. HET MAG UITSLUITEND DOOR EEN BEVOEGD PERSOON WORDEN ONDERHOUDEN.

### 1.1. GEBRUIK

- Vervoer het product altijd rechtop staand en in geschikte verpakking. Leg het e-screen nooit horizontaal neer. Behandel het product met zorg!
- Zend nooit een stilstaand (niet-bewegend) beeld naar het e-screen; het beeld kan dan inbranden of permanent op het scherm blijven staan.
- Dergelijke permanent ingebrande beelden worden niet door de garantie gedekt.
- Verander het beeld op het e-screen regelmatig. Om beeldenbranding te voorkomen, is het raadzaam om het e-screen na 16 uur gebruik binnen een periode van 24 uur minstens 6 uur uit te laten staan.

### 1.2. UITZONDERINGEN

- De garantie op dit product is niet van toepassing op schade veroorzaakt door natuurrampen (zoals een aardbeving, bliksem enz.), brand, handelingen door derden, ongelukken, opzettelijk misbruik of verkeerd gebruik door de eigenaar, of gebruik in andere ongeschikte omstandigheden.
- De garantie op dit product is niet van toepassing op incidentele schade (zoals winstderving of onderbreking van bedrijfsactiviteiten, wijzigen of wissen van vastgelegde gegevens enz.) veroorzaakt door het gebruik van dit product of veroorzaakt omdat dit product niet gebruikt kon worden.
- De garantie op dit product is niet van toepassing op schade veroorzaakt door onjuiste bediening of het niet volgen van de instructies in deze handleiding.
- De garantie op dit product is niet van toepassing op schade veroorzaakt door misbruik of storingen door gebruik van dit product met de aangesloten apparatuur of software.
- De garantie op dit product is niet van toepassing op schade veroorzaakt door het niet opvolgen van de installatie-instructies.
- De garantie op dit product is niet van toepassing op schade veroorzaakt door onjuiste installatie.
- De garantie op dit product is niet van toepassing op schade veroorzaakt door demontage, aanpassingen of reparaties door onbevoegde reparatiecentra of personen.

## 2. VEILIGHEIDSINSTRUCTIES

Lees deze gebruikershandleiding goed door voordat u de e-Screen gaat gebruiken; zo helpt u om schade aan uw eigendommen en die van anderen te voorkomen en blijft uw persoonlijke veiligheid en die van anderen gewaarborgd.

- Lees alle instructies en veiligheidswaarschuwingen in deze handleiding en volg deze op.
- Volg de in deze handleiding opgenomen instructies voor installatie en afstelling, en schakel gediplomeerde reparateurs in voor onderhoudswerkzaamheden.

### 2.1. VOORZORGSMAATREGELEN

**Haal de stekker onmiddellijk uit het stopcontact als er rook of een vreemde geur uit het e-Screen komt.**

Doet u dat niet, dan kan dit brand of een elektrische schok veroorzaken. Neem voor een inspectie contact op met uw dealer.

**Als het e-Screen is ingeschakeld maar er geen beeld verschijnt, haal dan onmiddellijk de stekker uit het stopcontact.**

Doet u dat niet, dan kan dit brand of een elektrische schok veroorzaken. Neem voor een inspectie contact op met uw dealer.

**Haal de stekker onmiddellijk uit het stopcontact als er water op het scherm is gemorst of als er iets in het e-Screen is gevallen.**

Doet u dat niet, dan kan dit brand of een elektrische schok veroorzaken. Neem voor een inspectie contact op met uw dealer.

**Haal de stekker onmiddellijk uit het stopcontact als het e-Screen is gevallen of als de behuizing is beschadigd.**

Doet u dat niet, dan kan dit brand of een elektrische schok veroorzaken. Neem voor een inspectie contact op met uw dealer.

**Als de voedingskabel of stekker is beschadigd of heet wordt, zet de netschakelaar van het scherm dan uit. Laat de stekker afkoelen en verwijder deze uit het apparaat.**

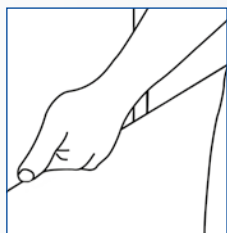
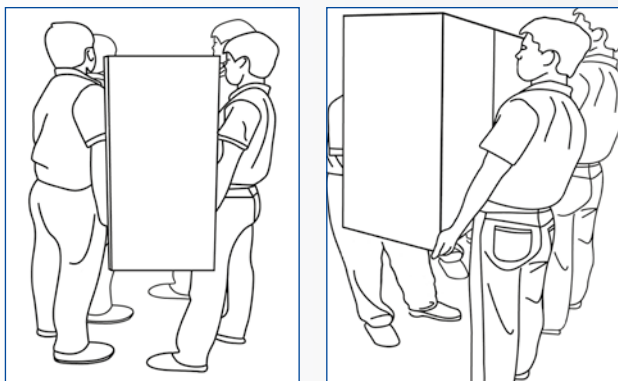
Als u het e-Screen met een beschadigd snoer of hete stekker blijft gebruiken, kan dit brand of een elektrische schok veroorzaken. Neem voor een vervanging contact op met uw dealer.



## 2.2. INSTRUCTIES VOOR DRAGEN EN VERPLAATSEN

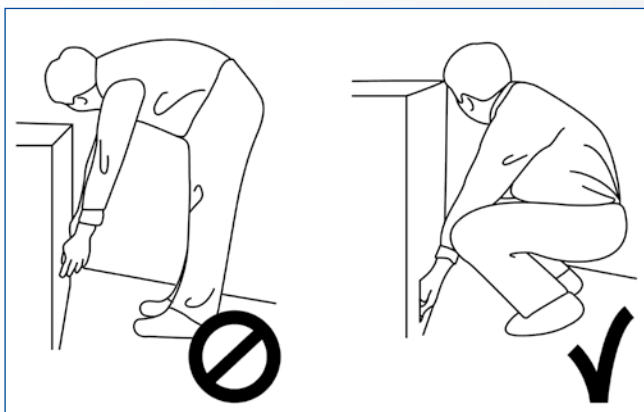
### Het product verplaatsen:

Het product dient door ten minste vier mensen gedragen te worden. Als u probeert het alleen te verplaatsen, kan het scherm vallen en/of ernstig letsel veroorzaken. Als u het product in de transportdoos verplaatst, dient u de doos aan de witte handgrepen op te tillen.



### Het product dragen:

Dit product is zwaar. Volg de juiste heftechnieken, zoals hieronder afgebeeld. Zo voorkomt u letsel.



## 2.3. INSTALLATIE

### Niet installeren in een omgeving met een hoge temperatuur.

Als het e-screen in hoge temperaturen of direct zonlicht wordt gebruikt, kunnen onderdelen of de behuizing vervormen of beschadigd worden, wat oververhitting of een elektrische schok kan veroorzaken.

### Niet installeren in een omgeving met hoge luchtvochtigheid.

Dit kan oververhitting of een elektrische schok veroorzaken.

### Niet installeren in de buurt van warmtebronnen zoals radiatoren, heteluchtroosters, kachels of andere apparaten die warmte produceren.

Dit kan brand of een elektrische schok veroorzaken.

### Het elektrische vermogen van stopcontacten en kabels nooit overschrijden.

Geen verlengsnoer gebruiken, dit kan brand of een elektrische schok veroorzaken.

### De stekker nooit in een stopcontact met een spanning anders dan 100~240 VAC steken.

Dit kan brand of een elektrische schok veroorzaken.

- Nooit beschadigde stekkers of ondeugdelijke contacten gebruiken.
- Nooit een ongeschikte stekker gebruiken. Dit kan brand of een elektrische schok veroorzaken.

### Het e-screen niet op een instabiele plank of een ander instabiel oppervlak neerzetten.

Het kan dan omvallen en letsel veroorzaken.

Plaats het apparaat uitsluitend op een horizontaal, stabiel en vlak oppervlak.

### Nooit voorwerpen op het e-screen neerzetten.

- Als het e-screen wordt afgedekt of als de ventilatieopeningen zijn geblokkeerd, kan het oververhit raken en brand veroorzaken.
- Als er metaal of vloeistoffen in het e-screen terechtkomen, kan dit tot brand of een elektrische schok leiden.
- Plaats geen zware voorwerpen op het scherm; deze kunnen vallen en letsel veroorzaken.
- Zorg altijd voor een afstand van minstens 10 cm tussen het e-screen, de en/of andere voorwerpen, zodat er voldoende ventilatie is.

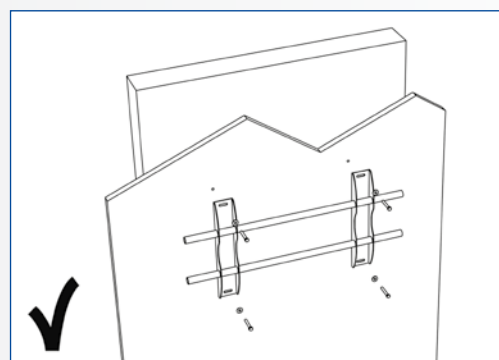
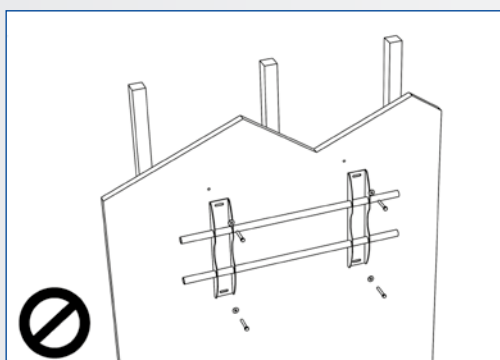
# VEILIGHEIDSINSTRUCTIES

## Het e-Screen nooit verplaatsen als dit nog aan de voedingskabel en AV-kabels is gekoppeld.

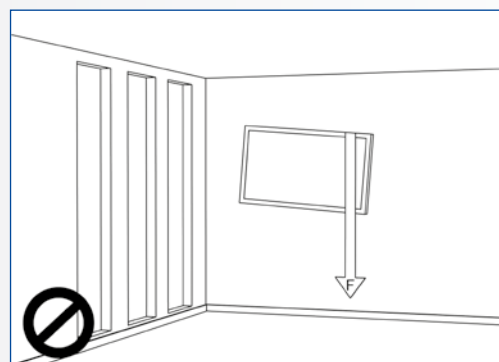
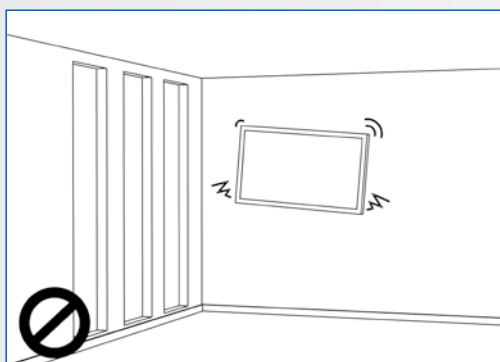
- Verwijder de stekker uit het stopcontact en verwijder alle overige kabels voordat u het e-Screen wilt verplaatsen.
  - Er zijn minstens 4 mensen nodig om het e-Screen uit te pakken of te dragen. Zorg ervoor dat het scherm altijd rechtop wordt gedragen.
- Vervoer het e-Screen rechtop. Leg het niet met het scherm naar boven of beneden gericht neer.
  - Ga altijd voorzichtig om met het e-Screen. Laat het niet vallen.

## 2.4. VEILIGHEIDSMATREGELEN VOOR WANDBEVESTIGING

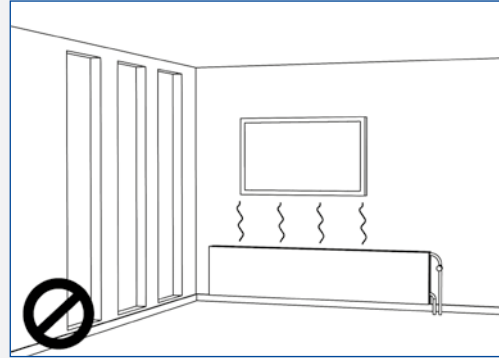
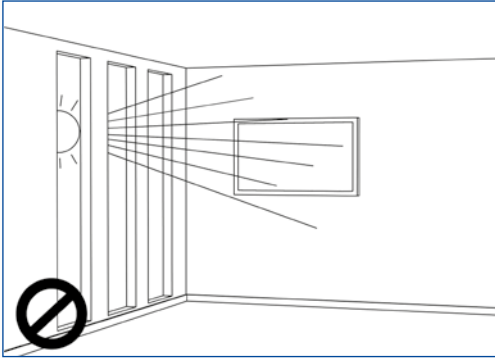
1. Bevestig de beugel stevig aan een degelijke wand of pilaar. Het scherm is zwaar en zou anders kunnen vallen.



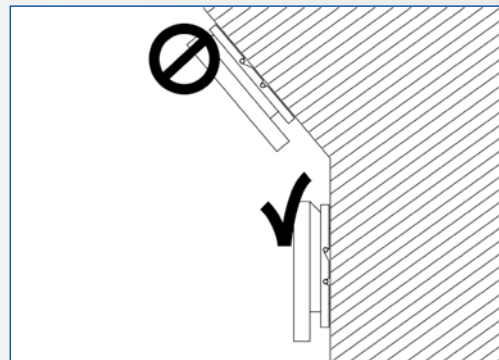
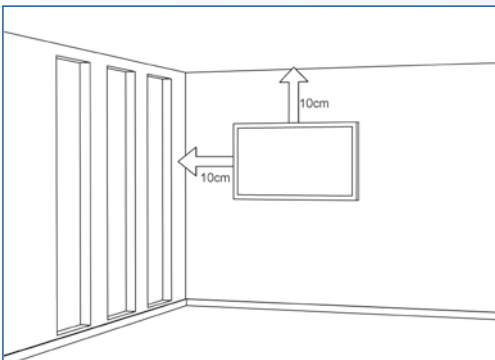
2. Na installatie niet hard aan het scherm trekken en dit niet schudden.



### 3. Monteer de schermen niet in direct zonlicht of in warme of vochtige omgevingen.



### 4. Monteer de beugel op een afstand van meer dan 10 cm vanaf de zijkant van de wand; uitsluitend verticaal (niet schuin) installeren.



## 2.5. AANBEVOLEN GEBRUIK

**Mocht u tijdens de installatie problemen ervaren, neem dan contact op met uw leverancier voor assistentie. Nooit proberen om het e-screen zelf te repareren of open te maken.**

Als u dat toch doet, kan dit brand of een elektrische schok veroorzaken. Neem voor een inspectie contact op met uw dealer.

**Bescherm de voedingskabel en gebruik deze altijd op juiste wijze.**

- Zorg dat de voedingskabel en/of de stekker nooit tussen harde oppervlakken bekneld raken.
- Trap niet op de voedingskabel en/of de stekker.
- Sluit de voedingskabel eerst op het scherm aan en steek pas dan de stekker in het stopcontact.
- Het gebruik van een niet-originele voedingskabel kan schade aan het scherm, brand of elektrische schokken veroorzaken.

**Gebruik van verlengsnoeren (niet aanbevolen)**

Als er een verlengsnoer moet worden gebruikt, controleer dan dat het spanningsbereik groter is dan het maximale stroomverbruik van het scherm. Als het spanningsbereik kleiner is dan dat van het scherm, zal het verlengsnoer oververhitten.

**Gebruik het scherm niet tijdens onweersbuien.**

Verwijder de stekker uit het stopcontact.

## **Nooit vloeistof op het e-screen gebruiken.**

- Als er vloeistof op het e-screen is geknoeid, vraag dan een gediplomeerde reparateur om het product te controleren.
- Als er vloeistof op het scherm terecht is gekomen, reinig dit dan onmiddellijk met een zachte, droge doek.
- Gebruik nooit chemicaliën op het e-screen.
- Als er metaal of vloeistoffen in het e-screen terechtkomen, kan dit tot brand of een elektrische schok leiden

## **De stekker nooit met natte handen installeren of verwijderen.**

Dit kan een elektrische schok veroorzaken.

## **Het e-screen van de elektrische voeding loskoppelen als het langere tijd niet gebruikt zal worden.**

Anders kunnen de elektrische onderdelen voortijdig verslijten of kan er brand ontstaan.

## **Ga zorgvuldig met het e-screen om en voorkom beschadiging van het glas.**

- Als het glas van het e-screen is gebroken, kan er vloeistof ontsnappen. Raak deze vloeistof niet aan.
- Als deze vloeistoffen in contact komen met huid of ogen, was het dan meteen weg met schoon water en neem contact op met een medisch professional.

## **Voorzorgsmaatregelen m.b.t. de batterijen van de afstandsbediening**

- Gebruik alleen goedgekeurde AAA batterijen.
- Plaats de batterijen op juiste wijze tegen de polen, zoals aangegeven door de + en de -.
- Batterijen niet opnieuw opladen, verhitten, uit elkaar halen, kortsluiten of in vuur werpen.
- Nooit een combinatie van oude en nieuwe batterijen gebruiken.
- Nooit een combinatie van verschillende batterijtypen gebruiken (gebruik alleen het aanbevolen type).

## 2.6. REINIGEN

### **Haal de stekker uit het stopcontact alvorens het product te reinigen.**

Doet u dat niet, dan kan dit een elektrische schok of schade veroorzaken.

### **Het oppervlak van het e-screen reinigen**

- Wanneer het oppervlak van het e-screen vuil is, kunt u dit met een zachte, schone doek lichtjes afvegen.
- Als het oppervlak wat grondiger gereinigd moet worden, kunt u de doek iets bevochtigen.

- Voorkom dat er vloeistof in het e-screen terechtkomt; dit kan een elektrische schok of schade veroorzaken.
- Reinig het e-screen niet met alcohol, oplosmiddelen of ammoniak; dit kan het scherm beschadigen.

## 3. INHOUD VAN DE VERPAKKING

### 3.1. UITPAKKEN

- Het e-Screen is verpakt in beschermende transportkussens om het tijdens vervoer te beschermen.
- Bereid een stabiele, vlakke en schone ondergrond voor, in de buurt van een stopcontact, voordat u het scherm gaat uitpakken.
- Zet de doos met het scherm rechtop en open deze vanaf de bovenkant voordat u de bovenste transportkussens verwijdert.
- Stap 1: Verwijder de witte handgreep en snijd de banden door.
- Stap 2: Verwijder het bovenste transportkussen en haal de zak met accessoires uit de doos.

### 3.2. MEEGELEVERDE ACCESSOIRES

Artikel
IR afstandsbediening voor het OSD (Batterijen inbegrepen)
HDMI-kabel
USB-kabel type B-naar-A
Voedingskabel
2-in-1 stylus
2 x High precision stylus
Easyfix cable clips
USB-drive met user manual, UPDD driver (voor Apple computers) en de laatste firmware versie

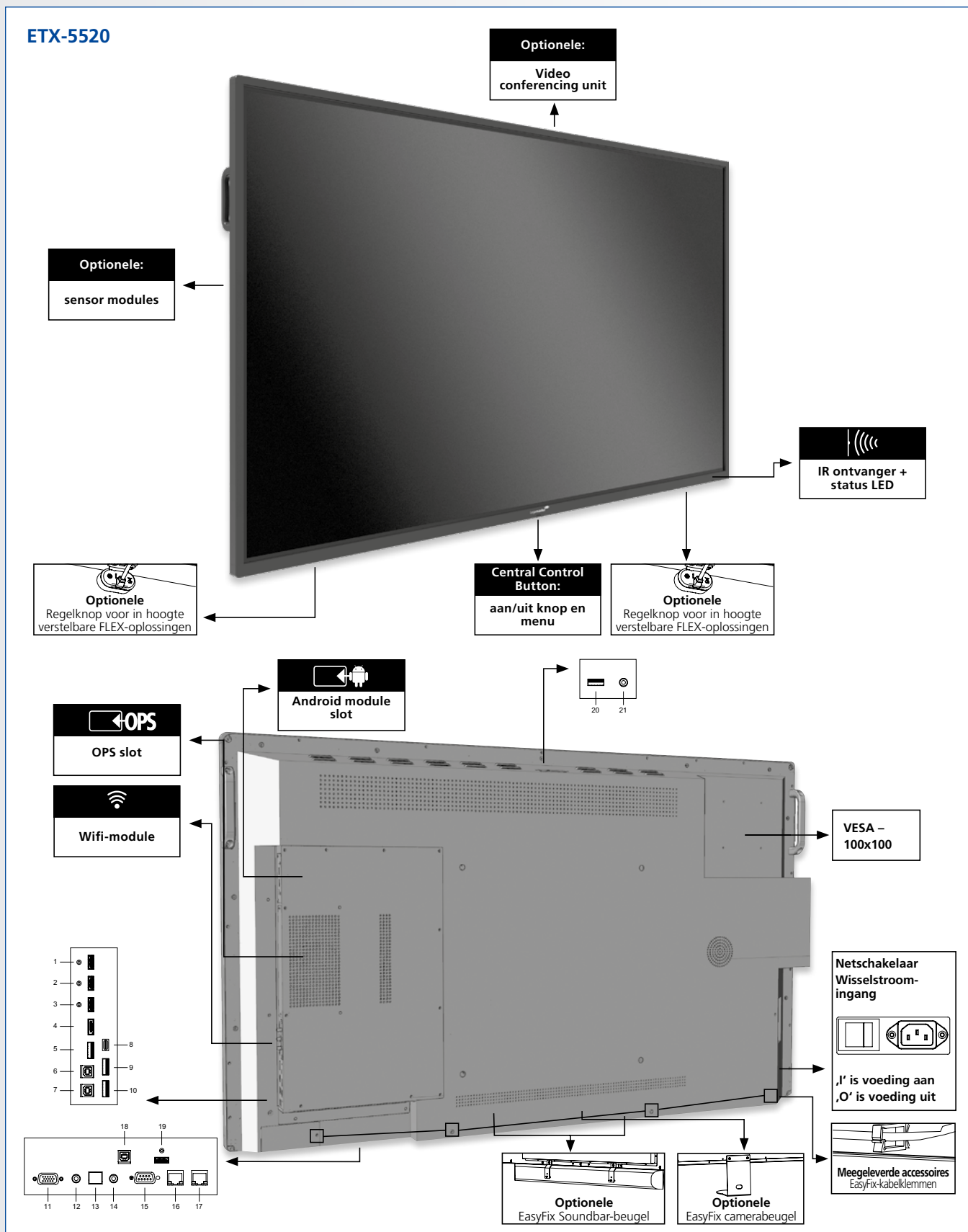
## 4. INSTALLATIE

### 4.1. GEBRUIKSOMGEVING

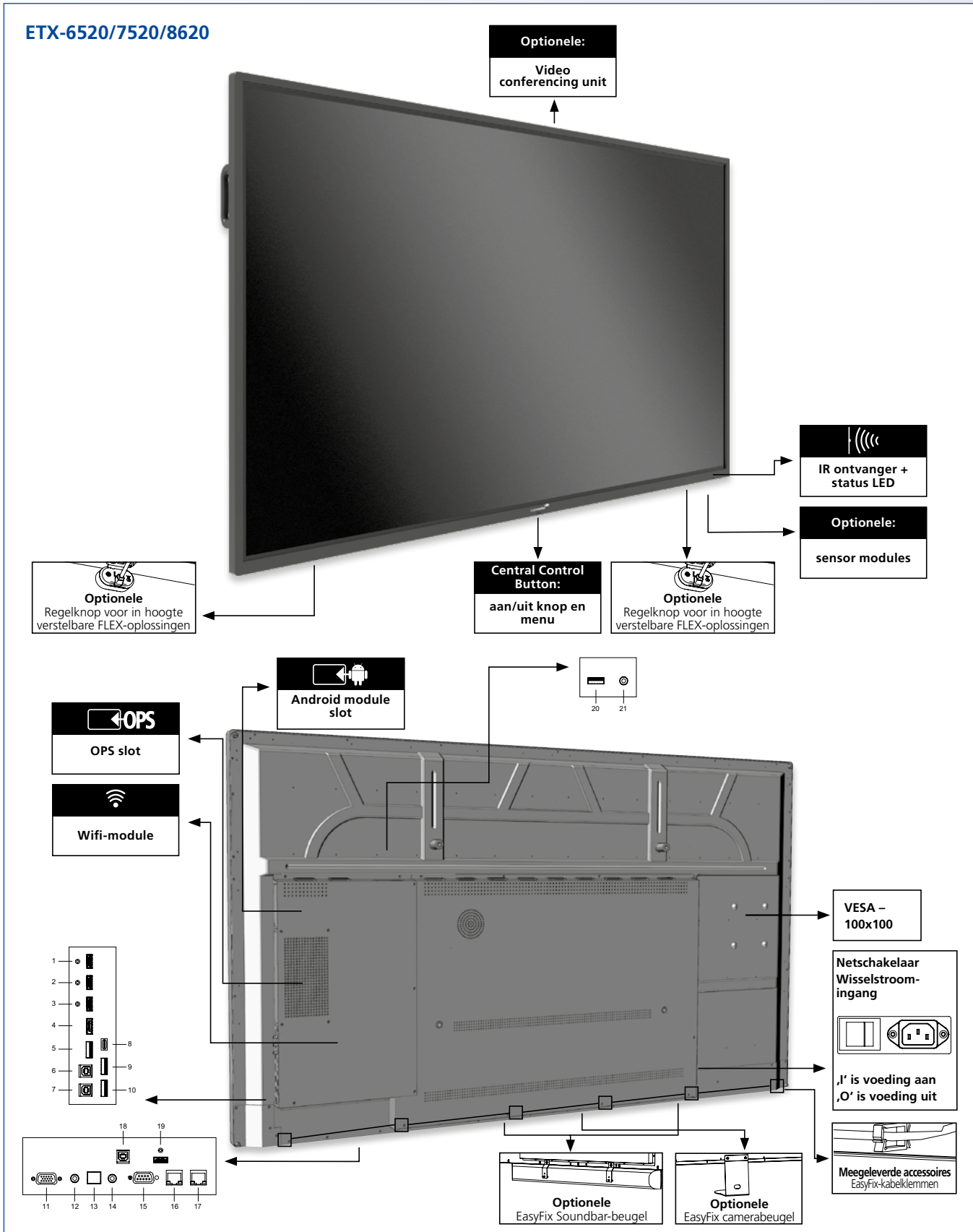
Bij gebruik van e-screens mogen de omgevingstemperatuur en luchtvochtigheid de volgende waarden niet overschrijden:

- Bedrijfstemperatuur: -5°C tot 45°C
- Luchtvochtigheid: minder dan 90% RV (max.)

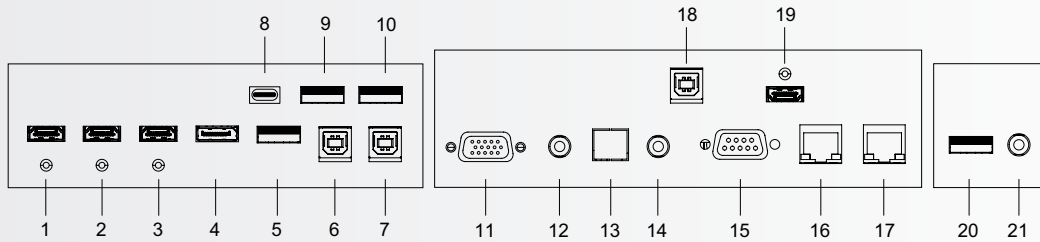
## 4.2. ALGEMEEN OVERZICHT VAN HET SCHERM



ETX-6520/7520/8620

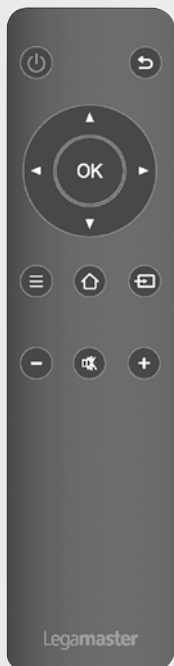


## 4.3. INGANGS- EN UITGANGSAANSLUITINGEN TABEL



1	<b>HDMI out</b> Kan gebruikt worden voor het aansluiten van een externe monitor.	12	<b>PC audio in</b> Sluit u de audio-uitgang van een pc aan.
2	<b>HDMI (ARC)</b> HDCP digitale video input voor ARC geschikte apparaten.	13	<b>SPDIF</b> Hier sluit u externe, gevoede digitale luidsprekers of een digitale audio-ontvanger of -versterker aan.
3	<b>HDMI 2</b> Voldoen aan HDCP. Digitale video-ingangen om HDMI-bronnen aan te sluiten.	14	<b>Audio uit</b> Hier sluit u externe, gevoede luidsprekers of een externe audio-ontvanger of -versterker aan.
4	<b>DisplayPort</b> Voldoet aan DisplayPort 1.2, 1.1a en DisplayPort-HDCP 1.1. SD/HD-ingang om SDTV-, EDTV- of HDTV-videobronnen aan te sluiten.	15	<b>RS-232C</b> Een 9-pins D-sub contrastekker voor communicatie met een regelsysteem of pc.
5	<b>USB-A 2.0</b> USB-A 2.0 poort voor het aansluiten van apparaten met een USB kabel. Ook gebruikt als service poort.	16-17	<b>LAN-poort</b> Een RJ-45-stekker voor communicatie met een pc of het automatiserings- of regelsysteem van een thuisbioscoop via een CAT 5-kabel.
6	<b>Touch USB 1</b> Een standaard USB-poort van type B voor de touch-functionaliteit van het scherm. Wordt automatisch gekoppeld aan HDMI 1.	18	<b>Touch USB 3</b> Standaard type B USB-poort voor de touch functionaliteit van het scherm, gelinked aan HDMI 3.
7	<b>Touch USB 2</b> Een standaard USB-poort van type B voor de touch-functionaliteit van het scherm. Gekoppeld aan HDMI 2, DisplayPort en VGA.	19	<b>HDMI 3</b> HDCP-compliant digitale video ingang voor HDMI bronnen
8	<b>USB-C</b> Een USB-C-poort die de stroomvoorziening, USB 3.0 en DisplayPort ondersteunt. Zorg ervoor dat er gecertificeerde kabels worden gebruikt die deze functies ondersteunen.	20	<b>USB-A 3.0</b> USB 3.0 poort voor het aansluiten van de EasyFix Video Conferencing Unit
9-10	<b>USB-A 3.0</b> USB-A 3.0 poort voor het aansluiten van apparaten met een USB kabel.	21	<b>PC Audio In</b> Audio input voor het aansluiten van de EasyFix Video Conferencing Unit
11	<b>VGA (D-Sub 15 pin)</b> Verbindt componenten die RGB- of aansluitingen voor componentuitgangen hebben, zoals een personal computer		

## 4.4. AFSTANDSBEDIENING



Label	Omschrijving
	Aan / uit
	Terug
	Navigatie
	Selecteer / bevestig (in menu) of Freeze (press and hold in elke bron uitgezonderd Android)
	Menu / instellingen
	Home
	Bron selectie
	Verlaag het volumeniveau
	Schakelt het geluid uit
	Verhoogt het volumeniveau



## 4.4.1. De batterij van de afstandsbediening vervangen

### 1. Verwijder het batterijdeksel

Schuif het batterijdeksel naar achteren en til het er in de richting van de pijl af.

### 2. Plaats de batterijen

Plaats twee AAA batterijen met de positieve (+) en negatieve (-) polen in de juiste richting (zoals aangegeven in de afstandsbediening).

### 3. Sluit het batterijdeksel

Plaats het batterijdeksel in de richting van de pijl en klik het op zijn plaats.

- I. Verwijder oude batterijen volgens de plaatselijk geldende voorschriften.
- II. Laat gebruikte, oude batterijen niet in de afstandsbediening zitten. De interne batterijvloeistof kan dan lekken en metaalroest of permanente beschadiging van de afstandsbediening veroorzaken.
- III. Gebruik batterijen uitsluitend volgens de instructies.



**LET OP**

### Over de afstandsbediening

- Niet laten vallen, niet schudden en niet stoten.
- Niet nat laten worden
- Niet uit elkaar halen.

## 5. BEDIENING

Voordat u het scherm voor het eerst gebruikt, dient u het te updaten naar de nieuwste firmwareversie. ETX-e-screens kunnen op 2 manieren worden geüpdatet, Over-the-Air (internetverbinding vereist) of met behulp van een USB-drive.

Om te updaten naar de laatste firmwareversie opent u het Quick Launch-menu door op de centrale bedieningstoets van het e-Screen te drukken. Klik in dit menu op de knop instellingen om het instellingenmenu te openen.

Selecteer in het instellingenmenu ‚Apparaat‘ en vervolgens ‚Systeemupdates‘. Het update-gedeelte is pincode-beveiligd (standaard pin = 0000).

1. Lokale update: Plaats een USB-stick met een update.zip-bestand (meegeleverd met het scherm) in de USB 2.0-poort aan de zijkant van het scherm. Selecteer ‚lokale update‘ en selecteer de USB-stick. Het updateproces zal beginnen.
2. Over-the-Air update: Selecteer ‚Online update‘. Het systeem controleert of er een nieuwe firmwareversie beschikbaar is. Als er een nieuwere versie beschikbaar is, vraagt het systeem om een update. Bevestig dit, waarna het updateproces zal starten.

VOOR VEELGESTELDE VRAGEN KUNT U TERECHT OP:

[WWW.FAQ.LEGAMASTER.COM](http://WWW.FAQ.LEGAMASTER.COM)

## 5.1. IN- EN UITSCHAKELEN VAN HET DISPLAY

Zorg ervoor dat het display is aangesloten op een stopcontact met de meegeleverde voedingskabel. Zet de AC-schakelaar op „I“. De monitor staat in de stand-by-modus (aangegeven door een rood lampje).

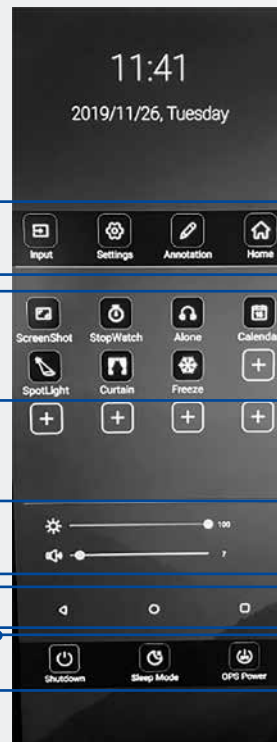
Om het display in te schakelen, drukt u één keer op de centrale bedieningsknop of drukt u op de aan/uit-knop van de afstandsbediening.

Om de monitor uit te schakelen, houdt u de centrale bedieningsknop 2 seconden ingedrukt of drukt u op de aan/uit-knop van de afstandsbediening. Het display schakelt over naar de stand-by-modus.

Om de stroom volledig uit te schakelen, zet u de AC-schakelaar op „O“ of haalt u de stekker uit het stopcontact.

## 5.2. QUICK LAUNCH MENU

Door één keer op de knop Central Command te drukken, wordt het Quick Launch-menu geopend. Vanuit dit aanpasbare menu zijn de meest gebruikte functies van het scherm snel toegankelijk.



- Input: Klik om de gewenste ingang / bron te selecteren
- Instellingen: Opent het instellingenmenu (zie 5.4)
- Annotatietool
- Home: Opent de Android Launcher

- Screenshot: maakt een instant screenshot en slaat deze op in het bestandssysteem, of wanneer een USB-stick (in een USB 3.0-poort) op de USB-stick wordt geplaatst.
- Stopwatch: Opent een klokscherm met timer, stopwatch en alarmfunctie
- Alleen: Schakelt het scherm uit, maar blijft audio afspelen. Maak het scherm wakker door het met 2 vingers aan te raken.
- Kalender: Opent een Kalender
- Spotlight: Activeert een spotlight. Spotlight kan worden verplaatst, vergroot of verkleind.
- Gordijn: Activeert de gordijnfunctie.
- Bevroren: Bevriest het scherm. Ontvorst door opnieuw op het Freeze-icoontje te drukken.

- Helderheidsregelaar
- Volumeschuifregelaar

### Aan/uit-knopjes:

- Afsluiten: sluit het scherm af en indien van toepassing de OPS-computer.
- Slaapmodus: induceert een modus waarin het scherm en de audio worden uitgeschakeld, maar van waaruit het scherm in een handomdraai kan herstellen door het scherm met 2 vingers aan te raken, of door op de centrale bedieningsknop te drukken.
- OPS-stroom: Schakelt de OPS-computer in of uit.

### Actie-knopjes:

- < Terug / vorig scherm
- O Home (Legamaster-draagkrak)
- □ Overzicht: Toont alle open apps en stelt gebruikers in staat om snel tussen de apps te wisselen, of om alle open apps in één keer te sluiten.

## 5.3. FLOAT MENU

Er verschijnt een float menu wanneer u van de onderste rand van het scherm naar boven veegt.



In dit drijfmenu zijn 3 actieknoppen te vinden met de volgende functionaliteit:

- ◀ Terug: brengt u terug naar het vorige scherm
- Home: brengt u terug naar het startscherm van de Legamaster Launcher
- Overzicht: Toont alle open apps en stelt gebruikers in staat om snel tussen de apps te wisselen, of om alle open apps in één keer te sluiten.

## 5.4. SETTINGS MENU

Hieronder vindt u een volledig overzicht van het instellingenmenu van de ETX-XX20 e-Screen, samen met een uitleg van de instellingen.

MAIN SETTINGS CATEGORY	SETTING CATEGORY	LEVEL1	LEVEL2	VALUES	EXPLANATION
NETWORK & CONNECTED DEVICES	Ethernet	MAC address			shows the MAC address for the wired connection
		IP address			shows the IP address for the wired connection
		Ethernet		ON/OFF	Toggle ethernet-connection on / off for the screen itself. Disabling this does not disable ethernet for the OPS
	Wi-Fi	MAC address			shows the MAC address for the Wi-Fi connection
		IP address			shows the IP address for the Wi-Fi connection
		Wi-Fi		ON/OFF	Toggle Wi-Fi on and off
	Portable hotspot	Hotspot		ON/OFF	Toggle the hotspot-functionality on / off
		Setup Wi-Fi hotspot			Set-up the hotspot
	Bluetooth	MAC address			show the MAC address for the bluetooth adapter
		Blooth		ON/OFF	Toggle bluetooth on/ off, show / connect with available devices
DEVICE	Picture			Standard	Select pre-set picture modes
		Picture mode		Dynamic	
				Soft	
				User	Picture mode where settings can be adjusted manually in ,Advanced'
				User	Choose a power-mode: User = manual brightness setting, Auto = Automatic brightness setting based on ambient light conditions, balanced = brightness 75, ECO = brightness 50, DCR = 100. Power consumption varies based on these settings.
		Power mode		Auto	
				Balanced	
				ECO Friendly	
				DCR	
				Standard	Select a color temperature mode
		Color temprature		Cool	
				Warm	
		Eye protect		ON/OFF	Toggle Eye Protect mode on / off. When enabled, the brightness will be reduced when writing.
		Anti blue light		ON/OFF	Toggle Anti blue light on / off. When enabled the amount of blue light will be reduced.
		Backlight		0-100	Manually adjust the brightness. Using this setting will change the power mode setting to ,Manual'

# BEDIENING

MAIN SETTINGS CATEGORY	SETTING CATEGORY	LEVEL1	LEVEL2	VALUES	EXPLANATION		
DEVICE	Picture	Advanced	Contrast	0-100	In Picture mode ,User', use these settings to manually adjust the picture settings		
			Brightness	0-100			
			Saturation	0-100			
			Sharpness	0-100			
			PC mode	PC / Video	Allows switching to Video mode, in which ,Overscan' can be used		
			Display mode	16:9/P2P	Toggle picture aspect mode		
			MEMC	Off/Low/Middle/High	Change the MEMC level		
			Overscan	ON/OFF	toggle between overscan on and off.		
			HDR	ON/OFF	toggle between HDR on and off.		
		VGA auto adjust		toggle VGA auto adjust o / off when receiving a VGA signal			
	Sound	Audio output		Speaker/SPDIF/ARC/Bluetooth	Choose the Audio output		
		Sound mode		Standard/Music/Movie/Sports/User	Select a pre-set sound mode. ,User' allows manual sound settings		
		SPDIF mode		RAW/PCM	Toogle SP/DIF mode between RAW / PCM		
		AVC		ON/OFF	toggle AVC on / off		
		Sound Effect		ON/OFF	toggle sound effect on / off		
		Volume		0-100	set volume		
		Balance		0-100	set balance		
		EQ 120Hz		0-100	Manually adjust settings, when sound mode is set to , User'		
		EQ 500Hz		0-100			
EQ 1.5KHz			0-100				
EQ 5KHz		0-100					
EQ 10KHz		0-100					
SYSTEM	Security	Change password			Change your password		
		Safe mode		ON/OFF	Safe mode password-protects the complete settings menu, file browser and....		
		App lock			Select individual apps that will be password-protected		
		App install/uninstall lock		ON/OFF	App (de)install lock disables (de)installation of apps		
		Touch lock		ON/OFF	Touch lock disables touch functionality		
		Keypad lock		ON/OFF	Keypad lock disables use of the Central Control Button		
		IR lock		ON/OFF	IR lock disables use of the remote control		
		Network lock		ON/OFF	Network lock disables ethernet, Wifi and Bluetooth connections		
	Manage apps	Installed apps			manage user-installed apps(FORCE STOP/UNINSTALL/CLEAR DATA)		
		All apps			manage all apps(FORCE STOP/DISABLE/CLEAR DATA)		
	Power	Power-on / shutdown timer	Shutdown timer			set the shutdown timer	
			Power-on timer			set the power-on timer	
		Power on settings	Power on mode	Direct			set power on mode to direct
				Standby			set power on mode to standby
				Memory			set power on mode to memory
			Power on source	Memory/Android/PC/HDMI1/HDMI2/HDMI3/DP/USB_C/VGA			Choose the source in which the screen powers-on
			Power on volume	Memory/User			Set the power-on volume. In ,User' users can select a power-on volume manually
			Volume setting	0-100			Set the power-on volume
		Boot OPS at power-on	ON/OFF			Choose wether the OPS boots automatically when the screen is power-on	
		Wake on lan		ON/OFF		Enable / disable wake on Lan	
		Motion Wake-up		ON/OFF		Enable / disable motion wake-up by the proximity sensor	
		Motion Detection		Off/1/15/30/45/60 minutes		Dis- / enable the proximity sensor to put the screen in sleep mode when no motion is detected by the proximity sensor	
Shutdown timer		OFF/1/10/20/30/60/90/120/180 minutes		set a shutdown timer			
Auto shutdown		Off/1/3/5/10 minutes		Shuts down the screen when there's no signal			

MAIN SETTINGS CATEGORY	SETTING CATEGORY	LEVEL1	LEVEL2	VALUES	EXPLANATION	
OTHERS	More	Auto sense		OFF/Prompt/Direct	Select the auto sense mode. In auto sense, the screen will detect new active signals and switch to that source automatically (direct), or when confirmed (prompt). When a signal is switched off, autosense will automatically check for other active sources in the sequence OPS slot, HDMI 1, HDMI 2, HDMI 3, DisplayPort, USB C, VGA always ending in the Android launcher (when enabled)	
		Temperature protection		ON/OFF	With temperature protection, a user can set an alarm temperature in which the screen will shutdown automatically	
		Current temperature		0-100	shows the current temperature of the screen	
		Alarm temperature		50-100	set the alarm temperature value. When reached, the screen will automatically shutdown to prevent further temperature increase	
		HDMI	HDMI out		1080p 60Hz/2160p 30Hz/2160p 60Hz	set the HDMI out signal
			HDMI EDID version		EDID 1.4/EDID 2.0	set the HDMI EDID version
		Date & time	Automatic date & time		ON/OFF	Automatic date and time requires an active internet connection. Disabling this setting allows users to manually set the date & time
			Date			Show or set the current date
			Time			show or set the current time
			Time zone			set the time zone
		Use 24-hour format		ON/OFF		Choose between a 12 or a 24 hr time format
			Languages		Deutsch/English/Francais/Nederlands	set the language
		Keyboard & inputs	Current Keyboard			Shows the current keyboard / allows users to switch keyboards
			Android Keyboard (AOSP)			Configure the default (AOSP) keyboard
			Manage keyboards			Manage keyboards
		Individuation	Set wallpaper			change and set the wallpaper
			Set ,no input' wallpater			change and set the no input wallpaper
	Set source label				Label various sources for easier recognition	
	Device	Device name			show or change the device name	
		Device model			shows the device model	
		System information	Firmware version		shows all system information	
		System Updates	Local update			Updates the systems firmware using a USB-drive
			Online update			Checks for updates online
Reset				restore factory settings. NOTE! This will erase all custom settings, data and custom apps from your system		

## 5.5. UPDATEN VAN HET SCHERM

De ETX-xx20 (PLUS) e-Screens kunnen worden geüpdatet met een nieuwe firmwareversie. Updates kunnen worden gedaan met behulp van een USB-drive of ,over-the-air'.

### 5.5.1 Het e-Screen updaten met behulp van een USB-drive

Laad het update.zip-bestand op een USB-stick en steek het in de USB 2.0-poort aan de zijkant van het ETX e-Screen. Ga naar het instellingenmenu van het ETX e-Screen. Selecteer in het gedeelte ,Overige' van het menu ,Apparaat'. Selecteer ,Systeemupdates'. en kies voor ,lokale update'. Voer de pincode in die voor het systeem is ingesteld en selecteer vervolgens de USB-drive met het update.zip-bestand. Volg de aanwijzingen tot je klaar bent.

Na het voltooiën van het updateproces, gelieve het systeem volledig uit te schakelen (met behulp van de AC-schakelaar).

### 5.5.2 Het e-Screen ,over-the-air' updaten

Zorg ervoor dat het ETX e-Screen een actieve internetverbinding heeft. Ga naar het instellingenmenu van het ETX e-Screen. Selecteer in het gedeelte ,Overige' van het menu ,Apparaat'. Selecteer ,Systeemupdates' en kies ,online update'. Ga naar de pincode die voor het systeem is ingesteld. Het systeem zal controleren op beschikbare updates. Wanneer een nieuwere firmwareversie beschikbaar, klik op de ,download'-knop om het updateproces te starten.

OPMERKING: controleer of de juiste server-URL is ingevoerd.

<http://68.66.241.101:8080/ota/upgrade>

Na het voltooiën van het updateproces, gelieve het systeem volledig uit te schakelen (met behulp van de AC-schakelaar).

## 5.6. ANDROID AAN- EN UITZETTEN

ETX-XX20 (PLUS) e-Screens bieden gebruikers de mogelijkheid om Android uit te schakelen. Om Android uit te schakelen of in te schakelen, gebruikt u de afstandsbediening controle die bij het scherm wordt geleverd.

(langzaam) Druk op: Bron / Links / Rechts / Plus / Minus

Een prompt zal verschijnen (Androïde inschakelen); selecteer AAN om Androïde in te schakelen, druk op UIT om Androïde uit te schakelen.

OPMERKING: het uitschakelen van Android beperkt de functionaliteiten van het scherm. Sommige instellingen kunnen niet worden geopend of gewijzigd nadat Android is uitgeschakeld.

## 6. TOUCH-BEDIENING

U kunt hiervoor geschikte apparaten bedienen gebruikmakend van de touch-functionaliteit van het e-screen. Hiervoor is een verbinding van het e-screen met het apparaat nodig doormiddel van een (meegeleverde) USB kabel:

1. Verbind de bron met het e-screen gebruikmakend van een video-kabel (VGA / HDMI / Displayport)
2. Gebruik de meegeleverde USB kabel om de bron met het scherm te verbinden, waarbij de USB-A connector op de bron, en de USB-B connector op het e-screen aangesloten wordt.
3. Zet zowel het scherm als de bron aan. Het kan 5 seconden duren voordat de touch-functionaliteit actief wordt.
4. Wanneer een geschikte USB-C naar USB-C kabel wordt gebruikt, zijn video, power-delivery en touch-connectiviteit bemand over 1 kabel.

## 7. SPECIFICATIES

PRODUCT LOGISTIEK	ETX-8620	ETX-7520	ETX-6520	ETX-5520
Verpakkingsmaat	2139x1363x231	1875x1186x231	1676x1097x231	1414x901x232
Bruto gewicht	85	75,8	56	45
Product SAP / EAN / KEA	868007000 / 8713797092500 / 7-803120-86	868006000 / 8713797092494 / 7-803120-75	868005000 / 8713797092487 / 7-803120-65	868004000 / 8713797092470 / 7-803120-55
PRODUCT SPECIFICATIES				
Maat diagonaal	86" (85.6")	75" (74.52")	65" (64.53")	55" (54.64")
Paneeltechniek	TFT LCD	TFT LCD	TFT LCD	TFT LCD
Schermeresolutie	3840 x 2160	3840 x 2160	3840 x 2160	3840 x 2160
Helderheid	350 cd / m <sup>2</sup>	350 cd / m <sup>2</sup>	350 cd / m <sup>2</sup>	350 cd / m <sup>2</sup>
Contrastverhouding	1200 : 1	4000:1	4000:1	4000:1
Responstijd	8 ms	8 ms	9 ms	9 ms
Beeldfrequentie	60 Hz	60 Hz	60 Hz	60 Hz
Kijkhoek (H / V)	178° / 178°	178° / 178°	178° / 178°	178° / 178°
Maat diagonaal	1.07B (10-bit)	1.07B (10-bit)	1.07B (10-bit)	1.07B (10-bit)
Paneeltechniek	Direct LED	Direct LED	Direct LED	Direct LED
Duurzaamheid	> 40.000 Hours	> 40.000 Hours	> 40.000 Hours	> 40.000 Hours
Schermeriëntatie	Landscape	Landscape	Landscape / Portrait	Landscape / Portrait
CPU	ARM Cortex A73x2; Cortex A53x2	ARM Cortex A73x2; Cortex A53x2	ARM Cortex A73x2; Cortex A53x2	ARM Cortex A73x2; Cortex A53x2
GPU	G51MP4	G51MP4	G51MP4	G51MP4
Besturingssysteem	Android 8.0	Android 8.0	Android 8.0	Android 8.0
Geheugen	4 GB	4 GB	4 GB	4 GB
On-Board Opslag	32GB	32GB	32GB	32GB
Touch-technologie	High Precision Advanced Infrared	High Precision Advanced Infrared	High Precision Advanced Infrared	High Precision Advanced Infrared
Aantal touch-punten	32 Point Ø5 point Ø3mm	32 Point Ø5 point Ø3mm	32 Point Ø5 point Ø3mm	32 Point Ø5 point Ø3mm
Responstijd	<= 10 ms	<= 10 ms	<= 10 ms	<= 10 ms
Aanraakprecisie	>= Ø 3 mm	>= Ø 3 mm	>= Ø 3 mm	>= Ø 3 mm
Touch-resolutie	32771 x 32768	32770 x 32768	32769 x 32768	32768 x 32768
Ingangconnectoren	HDMI 2.0 ARC x 1 / HDMI 2.0 x 2 / DisplayPort x 1 / USB-A 3.0 x 3 + 2.0 x 1 / USB-C x 1 / VGA + 3.5mm jack x 1 / RS-232C x 1 / LAN RJ45 x 2			
Uitgangconnectoren	HDMI (4k@60Hz) x 1 / Optical (SPDIF) out x 1 / 3.5mm audio jack x 1 / Touch-out USB-B x 3			
OPS-slot	Ja	Ja	Ja	Ja
Android Slot stays	Ja	Ja	Ja	Ja
Wifi (pluggable / afneembare module)	802.11a/b/g/n/ac, Bluetooth v. 5			
Audio Power Output (RMS)	15 W x 2 / 8 Ω	15 W x 2 / 8 Ω	15 W x 2 / 8 Ω	15 W x 2 / 8 Ω
Subwoofer	15 W	15 W	15 W	15 W
Product afmeting	1959.5x1140.2x89.3	1714.7x1002.8x89.3	1490.5x875.5x89.3	1285.5x766.2x90
Netto gewicht	66	55,9	43	34,3
VESA Montage-interface	600 x 800 (mm), M8 Screw. Supplied with mounted 400x600 adapter		400 x 600 (mm), M8 Screw	400 x 400 mm, M8 Screw
Glas	4mm Tempered Anti-Glare	4mm Tempered Anti-Glare	4mm Tempered Anti-Glare	4mm Tempered Anti-Glare
Netvoeding	AC 100-240 V 50 / 60 Hz	AC 100-240 V 50 / 60 Hz	AC 100-240 V 50 / 60 Hz	AC 100-240 V 50 / 60Hz
Stroomverbruik	360	295	160	125
Stroomverbruik (stand-by)	<= 0.5 W	<= 0.5 W	<= 0.5 W	<= 0.5 W
Stays ECO sensor	Ja	Ja	Ja	Ja
Bedrijfstemperatuur	0 - 40 °C	0 - 40 °C	0 - 40 °C	0 - 40 °C
Opslagtemperatuur	-20 - 60 °C	-20 - 60 °C	-20 - 60 °C	-20 - 60 °C
Bedrijfsvochtigheid	20 - 80 %RH (No Condensation)	20 - 80 %RH (No Condensation)	20 - 80 %RH (No Condensation)	20 - 80 %RH (No Condensation)
Opslagvochtigheid	10 - 90 %RH	10 - 90 %RH	10 - 90 %RH	10 - 90 %RH
Accessoires	afstandsbediening, HDMI kabel 5m, USB kabel 5m, High Precision stylus pack (2pcs), Double side stylus, EasyFix-kabelclips			

# SPECIFICATIES

PRODUCT LOGISTIEK	ETX-8620 PLUS	ETX-7520 PLUS	ETX-6520 PLUS
Verpakkingsmaat	2139x1363x231	1875x1186x231	1676x1097x231
Bruto gewicht	tbd	tbd	tbd
Product SAP / EAN / KEA	868034000 / 8713797092814 / 7-803120-86P	868033000 / 8713797092807 / 7-803120-75P	868032000 / 8713797092791 / 7-803120-65P
PRODUCT SPECIFICATIES			
Maat diagonaal	86" (85.6")	75" (74.52")	65" (64.53")
Paneeltechniek	TFT LCD	TFT LCD	TFT LCD
Schermpresolutie	3840 x 2160	3840 x 2160	3840 x 2160
Helderheid	350 cd / m <sup>2</sup>	350 cd / m <sup>2</sup>	350 cd / m <sup>2</sup>
Contrastverhouding	1200 : 1	4000:1	4000:1
Responstijd	8 ms	8 ms	9 ms
Beeldfrequentie	60 Hz	60 Hz	60 Hz
Kijkhoek (H / V)	178° / 178°	178° / 178°	178° / 178°
Maat diagonaal	1.07B (10-bit)	1.07B (10-bit)	1.07B (10-bit)
Paneeltechniek	Direct LED	Direct LED	Direct LED
Duurzaamheid	> 40.000 Hours	> 40.000 Hours	> 40.000 Hours
Schermmoriëntatie	Landscape	Landscape	Landscape / Portrait
CPU	ARM Cortex A73x2; Cortex A53x2	ARM Cortex A73x2; Cortex A53x2	ARM Cortex A73x2; Cortex A53x2
GPU	G51MP4	G51MP4	G51MP4
Besturingssysteem	Android 8.0	Android 8.0	Android 8.0
Geheugen	4 GB	4 GB	4 GB
On-Board Opslag	32GB	32GB	32GB
Touch-technologie	High Precision Advanced Infrared	High Precision Advanced Infrared	High Precision Advanced Infrared
Aantal touch-punten	32 Point Ø5 point Ø3mm	32 Point Ø5 point Ø3mm	32 Point Ø5 point Ø3mm
Responstijd	<= 10 ms	<= 10 ms	<= 10 ms
Aanraakprecisie	>= Ø 3 mm	>= Ø 3 mm	>= Ø 3 mm
Touch-resolutie	32771 x 32768	32770 x 32768	32769 x 32768
Ingangconnectoren	HDMI 2.0 ARC x 1 / HDMI 2.0 x 2 / DisplayPort x 1 / USB-A 3.0 x 3 + 2.0 x 1 / USB-C x 1 / VGA + 3.5mm jack x 1 / RS-232C x 1 / LAN RJ45 x 2		
Uitgangconnectoren	HDMI (4k@60Hz) x 1 / Optical (SPDIF) out x 1 / 3.5mm audio jack x 1 / Touch-out USB-B x 3		
OPS-slot	Ja	Ja	Ja
Android Slot stays	Ja	Ja	Ja
Wifi (pluggable / afneembare module)			802.11a/b/g/n/ac, Bluetooth v. 5
Audio Power Output (RMS)	15 W x 2 / 8 Ω	15 W x 2 / 8 Ω	15 W x 2 / 8 Ω
Subwoofer	15 W	15 W	15 W
Product afmeting	1959.5x1140.2x89.3	1714.7x1002.8x89.3	1490.5x875.5x89.3
Netto gewicht	tbd	tbd	tbd
VESA Montage-interface	600 x 800 (mm), M8 Screw. Supplied with mounted 400x600 adapter	600 x 800 (mm), M8 Screw. Supplied with mounted 400x600 adapter	400 x 600 (mm), M8 Screw
Glas	2mm Optical Bonded Tempered Anti-Glare	2mm Optical Bonded Tempered Anti-Glare	2mm Optical Bonded Tempered Anti-Glare
Netvoeding	AC 100-240 V 50 / 60 Hz	AC 100-240 V 50 / 60 Hz	AC 100-240 V 50 / 60 Hz
Stroomverbruik	360	295	160
Stroomverbruik (stand-by)	<= 0.5 W	<= 0.5 W	<= 0.5 W
Stays ECO sensor	Ja	Ja	Ja
Bedrijfstemperatuur	0 - 40 °C	0 - 40 °C	0 - 40 °C
Opslagtemperatuur	-20 - 60 °C	-20 - 60 °C	-20 - 60 °C
Bedrijfsvochtigheid	20 - 80 %RH (No Condensation)	20 - 80 %RH (No Condensation)	20 - 80 %RH (No Condensation)
Opslagvochtigheid	10 - 90 %RH	10 - 90 %RH	10 - 90 %RH
Accessoires	afstandsbediening, HDMI kabel 5m, USB kabel 5m, High Precision stylus pack (2pcs), Double side stylus, EasyFix-kabelclips		



## 8. ONDERSTEUNDE TIJDSINSTELLINGEN

### VGA SOURCE

No.	Signal format
1	640x480/60HZ
2	640x480/75HZ
3	800x600/60Hz
4	800x600/75Hz
5	1024x768/60Hz
6	1024x768/75Hz
7	1280x768/60HZ
8	1280x1024/60Hz
9	1280x1024/75Hz
10	1600x1024/60Hz
11	1920x1080P/60Hz
12	1920x1080P/50Hz

### DP Source

No.	Signal format
1	640x480/60HZ
2	640x480/75HZ
3	800x600/60Hz
4	800x600/75Hz
5	1024x768/60Hz
6	1024x768/75Hz
7	1280x768/60HZ
8	1280x1024/60Hz
9	1280x1024/75Hz
10	1600x1024/60Hz
11	1920x1080P/60Hz
12	1920x1080P/50Hz
13	3840x2160/30HZ
14	3840x2160/60HZ
15	1280x720P/60Hz
16	1280x720P/50Hz
17	720x480P/60Hz
18	720x576P/50Hz

### HDMI SOURCE

No.	Signal format
1	640x480/60HZ
2	640x480/75HZ
3	800x600/60Hz
4	800x600/75Hz
5	1024x768/60Hz
6	1024x768/75Hz
7	1280x768/60HZ
8	1280x1024/60Hz
9	1280x1024/75Hz
10	1600x1024/60Hz
11	1920x1080P/60Hz
12	1920x1080P/50Hz
13	3840x2160/30Hz
14	3840x2160/60Hz
15	1280x720P/60Hz
16	1280x720P/50Hz
17	720x480P/60Hz
18	720x576P/50Hz
19	1920x1080/60Hz
20	1920x1080/50Hz

## 9. SERIËLE OPDRACHTEN

### 9.1. SERIËLE COMMUNICATIE

Het scherm gebruikt een eenvoudig, op tekst gebaseerd besturingsprotocol om verzoeken van besturingsapparaten te ontvangen en op deze apparaten te reageren. Dit hoofdstuk beschrijft hoe berichten worden verzonden via een seriële koppeling tussen het scherm en een geautomatiseerd systeem of een bedieningssysteem, of een pc waarop een schermemulatieprogramma draait, zoals Windows® HyperTerminal of Tera Term.

### 9.2. AANSLUITING EN CONFIGURATIE VAN RS-232-POORT

Sluit uw besturingssysteem of pc aan op de RS-232-ingang van het scherm.

Configureer de seriële poort van de RS-232-controller of pc als volgt: Baud rate: 115200, 8bit, non parity, 1 stop bit.

## 9.3. RS232 INTERFACE

Default Port settings > Baudrate: 115200, Bits:8,Parity: None, Stopbit:1								
Main Item	Control Item	Commando	Type Write / Read	Value in HEX	Reply in HEX Format: STX data ETX (STX=start text / ETX = end tekst)	Reply in Ascii	Range	Note
Power Control and input source	Power control	Power OFF	W	02 50 57 44 3A 30 30 03	4F 4B	OK		
		Power ON	W	02 50 57 44 3A 30 30 31 03	4F 4B	OK		
		Get Power status	R	02 50 57 44 3A 3F 03	02 xx 03	Only second nibble of byte	0-1	0 = power OFF 1 = Power ON
	Backlight	Screen off (Blank)	W	02 42 4C 54 3A 30 30 03	4F 4B	OK		
		Screen on (Blank)	W	02 42 4C 54 3A 30 30 31 03	4F 4B	OK		
		Get Screen Status (blank)	R	02 42 4C 54 3A 3F 03	02 xx 03	Only second nibble of byte	0-1	0 = screen OFF 1 = Screen ON
		Backlight Level	W	02 42 4C 56 3A 3x 3x 03	4F 4B	OK	0 ~ 100	x = 0-9 Example: 30 30 30 = 0 30 35 30 = 50 31 30 30 = 100
	Input source	Get Backlight Level	R	02 42 4C 56 3A 3F 03	02 xx xx xx 03	Only second nibble of each byte	0 ~ 100	
		HDMI 1	W	02 49 4E 50 3A 30 30 38 03	4F 4B	OK		
		HDMI 2	W	02 49 4E 50 3A 30 30 39 03	4F 4B	OK		
		HDMI 3	W	02 49 4E 50 3A 30 31 30 03	4F 4B	OK		
		OPS (PC)	W	02 49 4E 50 3A 30 30 34 03	4F 4B	OK		
		Display Port	W	02 49 4E 50 3A 30 31 32 03	4F 4B	OK		
		USB-C	W	02 49 4E 50 3A 30 31 36 03	4F 4B	OK		
		VGA	W	02 49 4E 50 3A 30 30 35 03	4F 4B	OK		
	Get Current Source	R	02 49 4E 50 3A 3F 03	02 xx xx 03	Only second nibble of byte 5, 8, 9, 10, 12, 14, 16		5 = VGA 8 = HDMI1 9 = HDMI2 10 = HDMI3 12 = DP 14 = OPS 16 = USB-C	
Picture	Picture	Set Picture Mode	W	02 50 49 43 3A 30 30 3x 03	4F 4B	OK	x = 0-3	30 = Dynamic 31 = Standard 32 = Soft 33 = User
		Get Picture mode	R	02 50 49 43 3A 3F 03	02 xx 03	Only second nibble of byte	x = 0-3	0 = Dynamic 1 = Standard 2 = Soft 3 = User
	Freeze	Freeze	W	02 4B 45 59 3A 30 33 35 03	4F 4B	OK		
Audio Control	Volume	Volume Down	W	02 4B 45 59 3A 30 31 33 03	4F 4B	OK		
		Volume UP	W	02 4B 45 59 3A 30 31 32 03	4F 4B	OK		
		Set Volume Level	W	02 56 4F 4C 3A 3x 3x 03	4F 4B	OK	0 - 100	x = 0-9 Example: 30 30 30 = 0 30 35 30 = 50 31 30 30 = 100
		Get Volume Level	R	02 56 4F 4C 3A 3F 03	02 xx xx xx 03	Only second nibble of each byte	0 - 100	
	Mute	Mute	W	02 4D 55 54 3A 30 30 31 03	4F 4B	OK		
		Unmute	W	02 4D 55 54 3A 30 30 30 03	4F 4B	OK		
	Sound mode	Sound mode	W	02 53 4E 44 3A 30 30 3x 03	4F 4B	OK	0-4	30 = Standard 31 = Music 32 = Movie 33 = Sport 34=User
		Get Sound mode	R	02 53 4E 44 3A 3F 03	02 xx 03	Only second nibble of Byte	0-4	0 = Standard 1 = Music 2 = Movie 3 = Sport 4=User

Default Port settings > Baudrate: 115200, Bits:8,Parity: None, Stopbit:1								
Commands	Keys	Menu	W	02 4B 45 59 3A 30 31 34 03	4F 4B	OK		
		Home	W	02 4B 45 59 3A 30 36 30 03	4F 4B	OK		
		Back	W	02 4B 45 59 3A 30 31 36 03	4F 4B	OK		
		Screenshot	W	02 4B 45 59 3A 30 36 32 03	4F 4B	OK		
		Input key	W	02 4B 45 59 3A 30 32 32 03	4F 4B	OK		
		Infor Key	W	02 4B 45 59 3A 30 32 34 03	4F 4B	OK		
		1	W	02 4B 45 59 3A 30 30 31 03	4F 4B	OK		
		2	W	02 4B 45 59 3A 30 30 32 03	4F 4B	OK		
		3	W	02 4B 45 59 3A 30 30 33 03	4F 4B	OK		
		4	W	02 4B 45 59 3A 30 30 34 03	4F 4B	OK		
		5	W	02 4B 45 59 3A 30 30 35 03	4F 4B	OK		
		6	W	02 4B 45 59 3A 30 30 36 03	4F 4B	OK		
		7	W	02 4B 45 59 3A 30 30 37 03	4F 4B	OK		
		8	W	02 4B 45 59 3A 30 30 38 03	4F 4B	OK		
		9	W	02 4B 45 59 3A 30 30 39 03	4F 4B	OK		
		0	W	02 4B 45 59 3A 30 30 30 03	4F 4B	OK		
		OK	W	02 4B 45 59 3A 30 31 35 03	4F 4B	OK		
			W	02 4B 45 59 3A 30 31 39 03	4F 4B	OK		
			W	02 4B 45 59 3A 30 32 30 03	4F 4B	OK		
	W	02 4B 45 59 3A 30 31 37 03	4F 4B	OK				
	W	02 4B 45 59 3A 30 31 38 03	4F 4B	OK				
Lock Options	Touch	Touch Lock	W	02 55 53 57 3A 30 30 34 03	4F 4B	OK		
		Touch Unlock	W	02 55 53 57 3A 30 30 35 03	4F 4B	OK		
		Get Touch Lock Status	R	02 55 53 57 3A 3F 03	02 xx 03	Only second nibble of byte	4-5	4 = Touch Lock ON 5 = Touch Lock OFF
	Keypad	Keypad Lock	W	02 55 41 44 3A 30 30 31 03	4F 4B	OK		
		Keypad Unlock	W	02 55 41 44 3A 30 30 30 03	4F 4B	OK		
		Get Keypad Lock Status	R	02 50 41 44 3A 3F 03	02 xx 03	Only second nibble of byte	0-1	0 = Keypad lock OFF 1 = Keypad Lock ON
	Remote	Remote Lock	W	02 49 52 4C 3A 30 30 31 03	4F 4B	OK		0-1
		Remote Unlock	W	02 49 52 4C 3A 30 30 30 03	4F 4B	OK		
		Get Remote Lock Status	R	02 49 52 4C 3A 3F 03	02 xx 03	Only second nibble of byte	0-1	0 = Remote Lock OFF 1 = Remote Lock ON
Screen Info	Lan	Get Ethernet Mac Adress	R	02 4D 41 43 3A 3F 03	4D 41 43 3A xx xx xx xx xx xx xx	MAC: ,adres'		ex: 0:15:45:F3:12:BA
	Software	Get Software Version	R	02 46 56 52 3A 3F 03	46 56 52 3A xx xx xx xx xx xx xx	FVR: ,version'		ex: FVR:568PH0009A 1002
		Get Software Date	R	02 46 56 54 3A 3F 03	46 56 54 3A xx xx xx xx xx xx xx	FVT: ,date'		ex: FVT:20200218
		Get Model	R	02 4D 44 54 3A 3F 03	4D 44 54 3A xx xx xx xx xx xx xx	MDT: ,model'		ex: MDT:Legamaster ETX6520 e-Screen
	Panel	Get Panel ID	R	02 50 49 44 3A 3F 03	02 xx xx xx 03	Only second nibble of each byte		Example: if ID =16 xx xx xx = 016
		Get Panel information	R	02 50 4E 4C 3A 3F 03	50 4E 4C 3A xx xx xx xx xx xx xx xx	PNL: ,panel'		panel in ascii
	Time	Get Total Work Time	R	02 53 53 53 3A 3F 03	53 53 53 3Axx xx xx xx xx 3A xx xx 3A xx	SSS: ,hours': inute': ,seconds'		SSS:00101:44:07

## 10. PROBLEMEN OPLOSSEN

VOOR VEELGESTELDE VRAGEN, HET OPLOSSEN VAN PROBLEMEN EN TIPS EN TRUCS, GA DAN LANGS.

[www.faq.legamaster.com](http://www.faq.legamaster.com)

## 11. NALEVING VAN WET- EN REGELGEVING

**FCC:**

FCC CFR Titel 47 Deel 15 Subdeel B

**CB:**

IEC62368-1

**CE:**

EN55032

EN55035

EN61000-3-2

EN61000-3-3

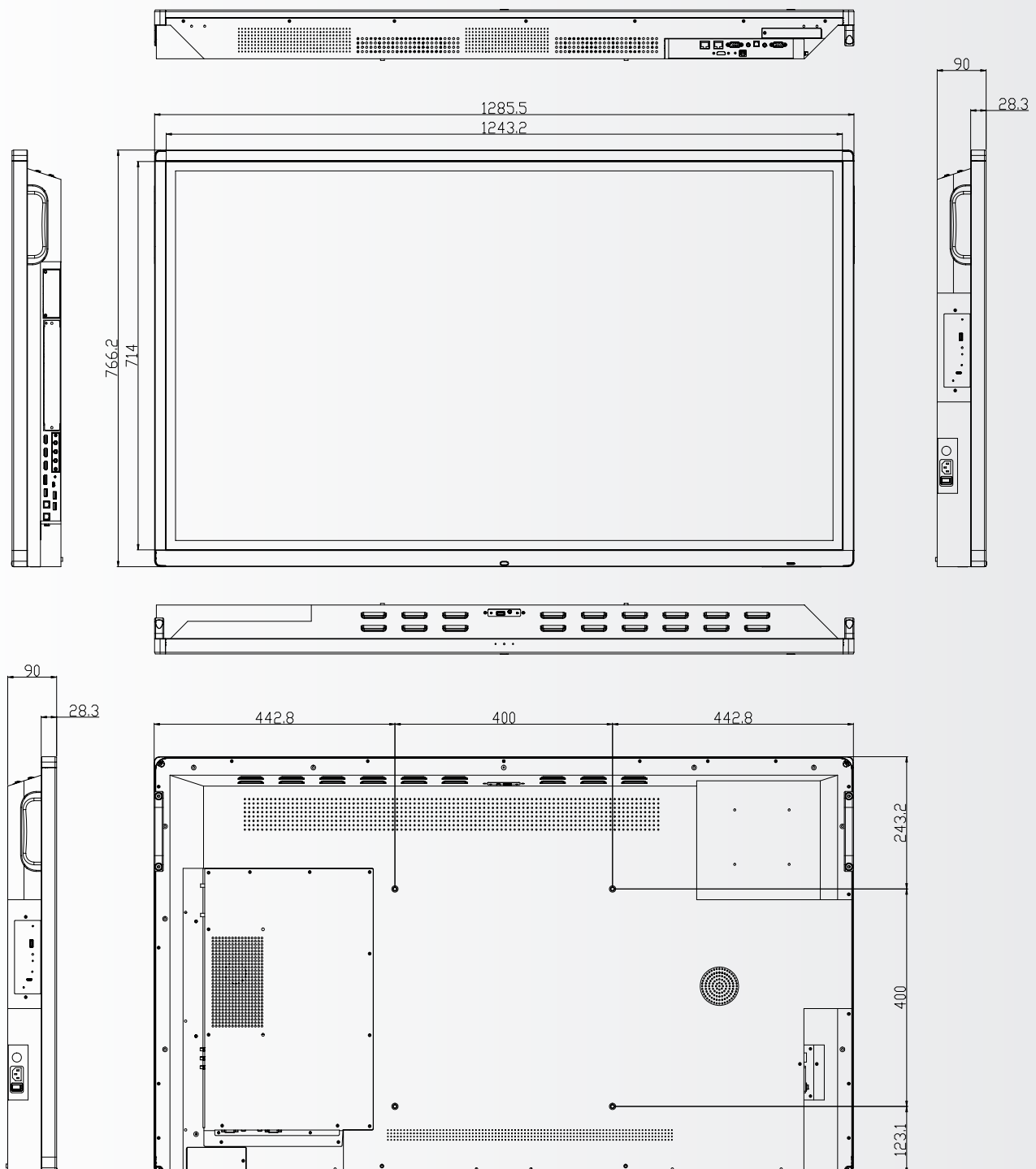
EN62368

## 12. BIJLAGE

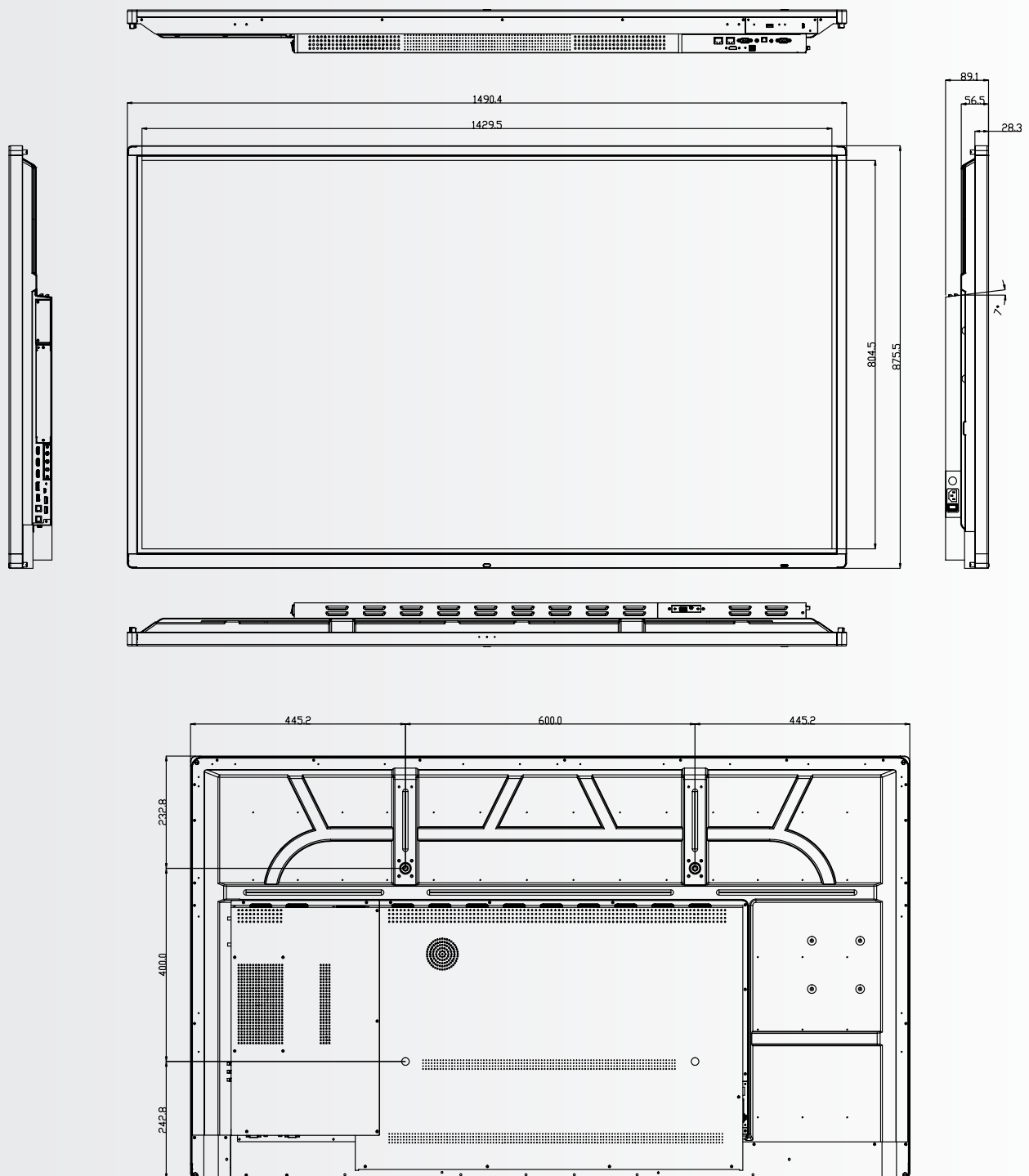
### 12.1. AFMETINGEN

De volgende illustratie toont de algemene afmetingen van het scherm:

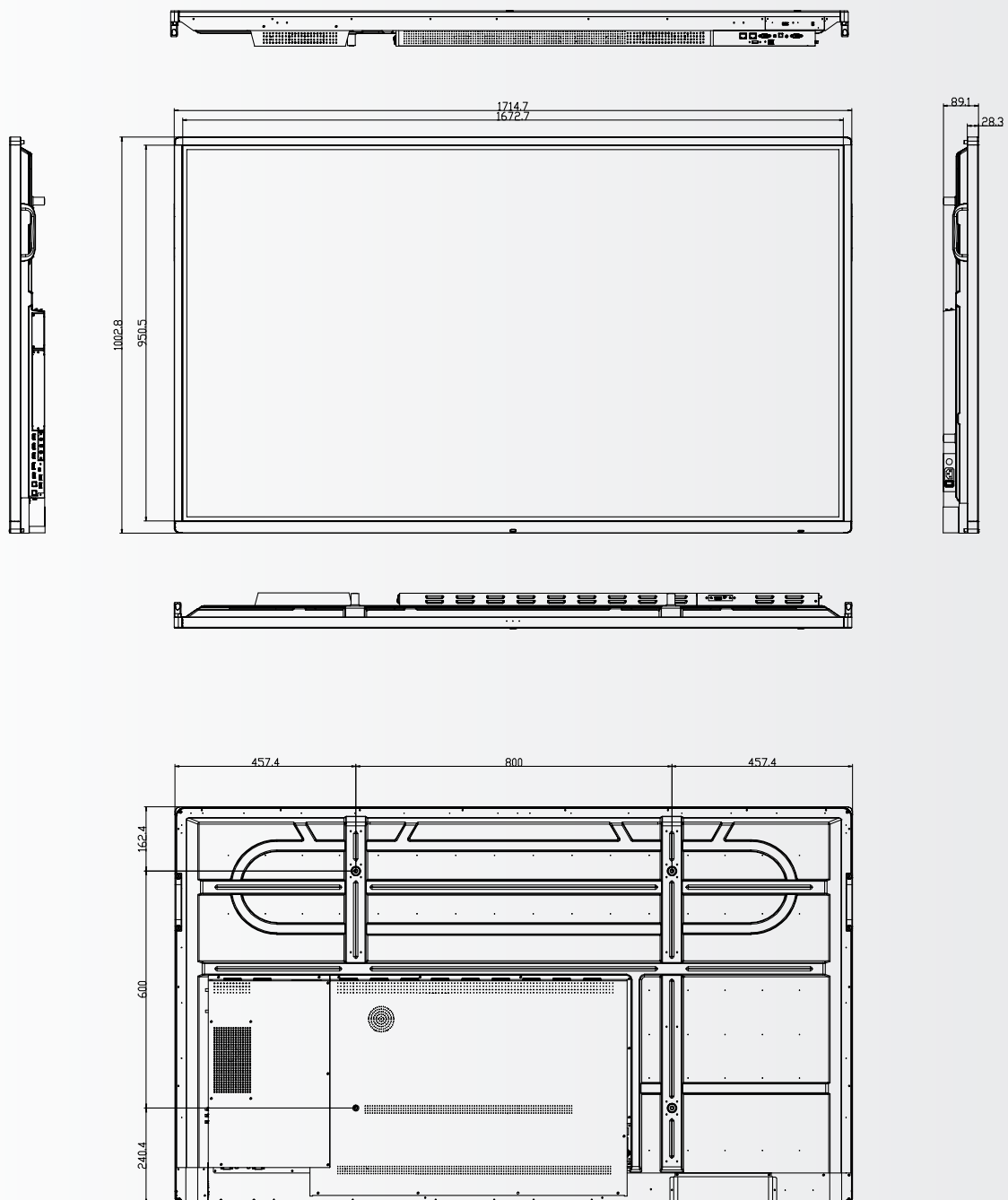
**ETX-5520**



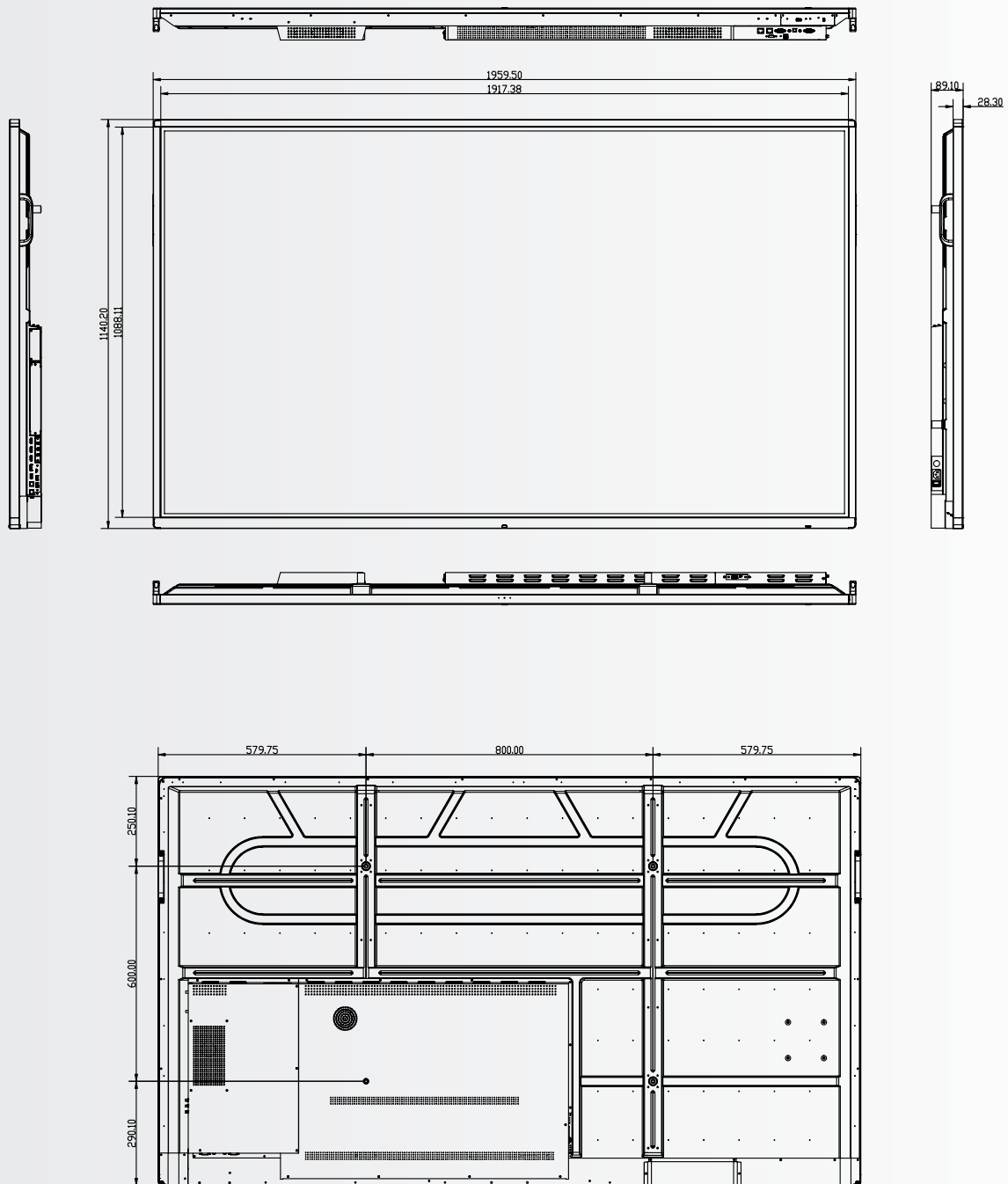
ETX-6520



ETX-7520



ETX-8620





## 13. ACCESSOIRES

### 13.1. EASYFIX VIDEO CONFERENCING UNIT

Het ETX e-Screen verandert direct in een volledig videoconferencing scherm.

#### 13.1.1 Specificaties

- Camera-resolutie: 1920x1080 / 1280x720 @ 30 hz
- Pixels: 2 miljoen
- Hoek (diagonaal): 85°
- 4 microfoonserie, afstand tot de stemopname tot 8 meter
- Automatische Echo Annulering
- Macht: DC 5V±0.2V, 60 Hz // 370 mA
- Ondersteunde besturingssystemen: Windows / Android

#### 13.1.2 Installatie

- Gebruik de 2 schroeven en bevestig het toestel aan de bovenste rand van de ETX-XX20 (PLUS) e-Screen.
- Sluit de USB-kabel aan op de bovenste USB-sleuf (nr. 20).
- Sluit de audiokabel aan op de bovenste audio-in poort (nr. 21).

#### 13.1.3 Werking

- Het apparaat is plug-and-play, open elke toepassing op Android, OPS of een aangesloten PC.

### 13.2. EASYFIX PROXIMITY SENSOR

Laat het ETX e-Screen schakelen tussen slapen en wakker worden op basis van de aanwezigheid in de kamer.

#### 13.2.1 Specificaties

- Opsporingsmethode: Infrarood
- Opsporingshoek: 100°
- Detectiebereik: 5-7 m
- DC 5V±0,5V
- Verbinding: USB-A

#### 13.2.2 Installatie

- Sluit het toestel aan op de USB-A-poort op de onderste rand van het scherm, of (alleen ETX-5520) aan de linkerkant van het scherm.
- Bevestig het toestel op het scherm met de 2 bijgeleverde schroeven.

#### 13.1.3 Werking

Het apparaat is plug-and-play. Het apparaat wordt aangestuurd door de onderstaande instellingen, die te vinden zijn in het instellingenmenu van het ETX-XX20 e-Screen. Navigeer naar het instellingenmenu. Druk in het 'systeem' deel van het instellingenmenu op power:

- Activeer de instelling 'motion wake-up' om de nabijheidssensor in staat te stellen de ETX-XX20 e-Screen van de slaap- naar de werkmodus te schakelen.
- Gebruik de instelling 'bewegingsdetectie' om het ETX e-Screen in de slaapstand te zetten als er gedurende een bepaalde tijd geen aanwezigheid in het gezichtsveld van de nabijheidssensor wordt gedetecteerd.



## ESPAÑOL

### ÍNDICE

1. Información importante .....	115
1.1. Uso .....	115
1.2. Exenciones .....	115
2. Instrucciones de seguridad .....	116
2.1. Precauciones de seguridad .....	116
2.2. Aviso respecto al desplazamiento y transporte .....	117
2.3. Instalación .....	117
2.4. Aviso de seguridad de montaje en pared .....	118
2.5. Uso recomendado .....	119
2.6. Limpieza .....	120
3. Contenido del paquete .....	121
3.1. Desembalaje .....	121
3.2. Accesorios incluidos .....	121
4. Instalación .....	121
4.1. Condiciones ambientales .....	121
4.2. Vista general de la pantalla .....	122
4.3. Tabla de conectores de entrada y de salida .....	124
4.4. Mando a distancia .....	124
5. Funcionamiento .....	125
5.1. Encender y apagar la pantalla .....	126
5.2. Menú de inicio rápido .....	126
5.3. Float menu .....	127
5.4. Settings menu .....	127
5.5. Actualizando la pantalla .....	130
5.6. Activar / desactivar Androide .....	130
6. Función táctil .....	130
7. Especificaciones .....	131
8. Intervalos compatibles .....	133
9. Comandos de serie .....	133
9.1. Comunicaciones de serie .....	133
9.2. Conexión RS-232 y configuración de puertos .....	133
9.3. RS232 Interface .....	134
10. Solución de problemas .....	136
11. Cumplimiento .....	136
12. Apéndice .....	137
12.1. Dimensiones .....	137
13. Accesorios .....	141
13.1. EasyFix Video Conferencing Unit .....	141
13.2. EasyFix Proximity Sensor .....	141

## 1. INFORMACIÓN IMPORTANTE



### ADVERTENCIA:

PARA EVITAR PELIGROS DE INCENDIO Y DESCARGAS, NO EXPONGA ESTA UNIDAD A LA LLUVIA NI A LA HUMEDAD. TAMPOCO UTILICE LA CLAVIJA POLARIZADA DE ESTA UNIDAD CON UN RECEPTÁCULO DEL ALARGADOR U OTRAS TOMAS A MENOS QUE LAS PROLONGACIONES SE PUEDAN INSERTAR COMPLETAMENTE.

NO ABRA EL SOPORTE, YA QUE CONTIENE COMPONENTES DE ALTA TENSIÓN.



### PRECAUCIÓN:

PARA REDUCIR EL RIESGO DE DESCARGA ELÉCTRICA, ASEGÚRESE DE QUE EL CABLE DE ALIMENTACIÓN ESTÁ DESENCHUFADO DE LA TOMA DE CORRIENTE. PARA ASEGURARSE COMPLETAMENTE DE QUE NO LLEGA CORRIENTE A LA UNIDAD, DESCONECTE EL CABLE DE ALIMENTACIÓN DE LA TOMA DE CA. NO RETIRE LA CUBIERTA (NI LA PARTE TRASERA). EN EL INTERIOR NO HAY PIEZAS QUE EL USUARIO PUEDA REPARAR. SOLICITE CUALQUIER REPARACIÓN AL SERVICIO TÉCNICO CUALIFICADO

### 1.1. USO

- Transporte el producto en posición vertical y con un embalaje adecuado. Evite colocar el producto hacia arriba o hacia abajo. ¡Maneje con cuidado!
- No envíe una imagen estática (sin movimiento) a la e-Screen puesto que podría causar el “quemado” de la imagen o la retención de la imagen.
- La garantía no cubre el “quemado” ni la retención de la imagen.
- Asegúrese de cambiar la imagen de la e-Screen con frecuencia. Se recomienda apagar la e-Screen durante 6 horas como mínimo después de 16 horas de uso en un periodo de 24 horas con el fin de evitar la retención de imágenes.

### 1.2. EXENCIONES

- La garantía de este producto no cubre daños por desastres naturales (terremotos, truenos, etc.), incendios, actos de terceros, accidentes, uso incorrecto y desperfectos intencionados por parte del usuario, o el uso en otras condiciones indebidas.
- La garantía de este producto no cubre daños fortuitos (como pérdida de beneficios o interrupción de la actividad laboral, modificación o borrado de datos registrados, etc.) causados por el uso o la incapacidad de uso de este producto.
- La garantía de este producto no cubre daños causados por el funcionamiento incorrecto o por no seguir el manual de usuario.
- La garantía de este producto no cubre daños por un uso incorrecto o errores mediante el uso simultáneo de este producto y el equipo o software conectado.
- La garantía de este producto no cubre daños causados por ignorar las instrucciones descritas sobre la instalación.
- La garantía de este producto no cubre daños causados por una instalación incorrecta.
- La garantía de este producto no cubre daños por el desmontaje, la modificación o reparación por parte de personal o de un centro de servicio técnico no autorizado.

## 2. INSTRUCCIONES DE SEGURIDAD

Antes de utilizar la e-Screen, lea este manual de usuario completamente para evitar daños en sus pertenencias y asegurar tanto su seguridad personal como la de los demás.

- Lea y observe la totalidad de instrucciones y advertencias de seguridad de este manual.
- En cuanto a la instalación o ajustes, siga las instrucciones del manual y diríjase a un servicio técnico cualificado para solucionar los problemas técnicos.

### 2.1. PRECAUCIONES DE SEGURIDAD

**Si la e-Screen despidе humo o algún olor extraño, retire inmediatamente la clavija de la toma.**

Si no lo hace, podría producirse un incendio o una descarga eléctrica. Póngase en contacto con su distribuidor para realizar una revisión.

**Si se enciende la e-Screen pero no aparece ninguna imagen, retire inmediatamente la clavija de la toma.**

Si no lo hace, podría producirse un incendio o una descarga eléctrica. Póngase en contacto con su distribuidor para realizar una revisión.

**En caso de derramar agua sobre la pantalla o si algún objeto cae en su interior, retire inmediatamente la clavija de la toma.**

Si no lo hace, podría producirse un incendio o una descarga eléctrica. Póngase en contacto con su distribuidor para realizar una revisión.

**Si la e-Screen se cae o el soporte queda dañado, retire inmediatamente la clavija de la toma.**

Si no lo hace, podría producirse un incendio o una descarga eléctrica. Póngase en contacto con su distribuidor para realizar una revisión.

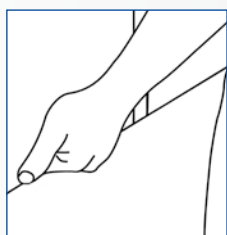
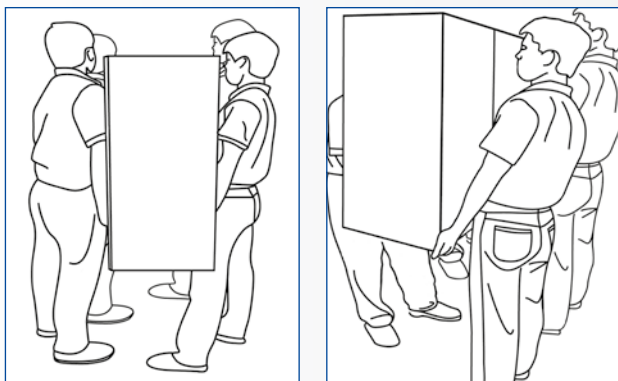
**Si el cable de alimentación o la clavija están dañados o se calientan, apague el interruptor de alimentación principal de la e-Screen, asegúrese de que la clavija se haya enfriado y retírela de la toma.**

Si continúa utilizando la e-Screen en estas condiciones, podría producirse un incendio o una descarga eléctrica. Póngase en contacto con su distribuidor para conseguir recambios.

## 2.2. AVISO RESPECTO AL DESPLAZAMIENTO Y TRANSPORTE

### Desplazamiento del producto:

Para trasladar el producto se necesitan al menos cuatro personas. Si intenta mover el producto con menos personas, podría dañar la pantalla u ocasionar lesiones graves a las personas que la están manejando. Cuando mueva una pantalla en su caja de envío, levante la caja con las asas blancas.



### Transporte del producto:

Este producto es pesado; siga las técnicas adecuadas para levantarlo, tal y como se ilustra a continuación. Si no lo hace, podría causar daños.



## 2.3. INSTALACIÓN

### No realice la instalación en un entorno con temperaturas altas.

Si la e-Screen se usa en un entorno con temperaturas altas o expuesto directamente a la luz del sol, la cubierta u otras partes podrían deformarse y ocasionar un sobrecalentamiento o descarga eléctrica.

### No realice la instalación en un entorno con humedad alta.

Podría producirse un sobrecalentamiento o una descarga eléctrica.

### No coloque fuentes de calor cerca, como radiadores, rejillas de aire caliente, estufas u otros aparatos que despidan calor.

This may cause fire or electrical shock.

### No sobrecargue las tomas ni los cables con más capacidad eléctrica de la permitida.

No utilice cables extensores; podría producirse un incendio o una descarga eléctrica.

### No introduzca la clavija en una toma que no sea de 100~240 V CA.

Podría producirse un incendio o una descarga eléctrica.

- No utilice una clavija dañada ni una toma desgastada.
- No introduzca una clavija incompatible, ya que podría producirse un incendio o una descarga eléctrica.

### No coloque la e-Screen en un estante o superficie inestable.

La e-Screen podría caerse y ocasionar lesiones. Realice la instalación en una superficie horizontal, estable y nivelada.

### No coloque objetos encima de la e-Screen.

- Si cubre la e-Screen o se bloquean las salidas de aire, la pantalla podría sobrecalentarse y causar un incendio.
- Si se introducen metales o líquido en la e-Screen, se podría producir un incendio o descarga eléctrica.
- No coloque objetos pesados encima de la e-Screen puesto que podrían caerse y ocasionar lesiones.
- Mantenga una distancia mínima de 10 cm entre la e-screen, la pared y/u otros objetos para que haya suficiente ventilación.

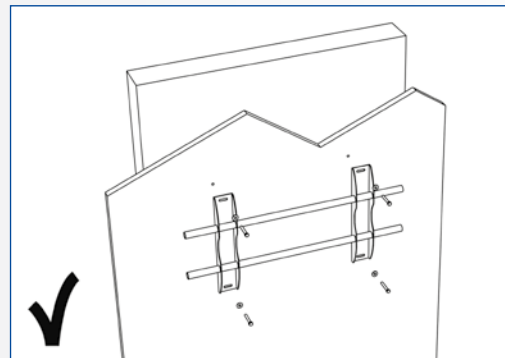
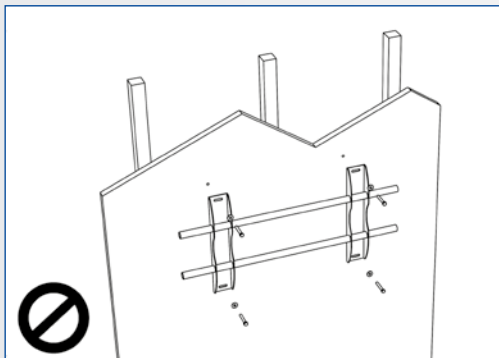
# INSTRUCCIONES DE SEGURIDAD

## No mueva la e-Screen cuando esté conectada al cable de alimentación y a los cables AV.

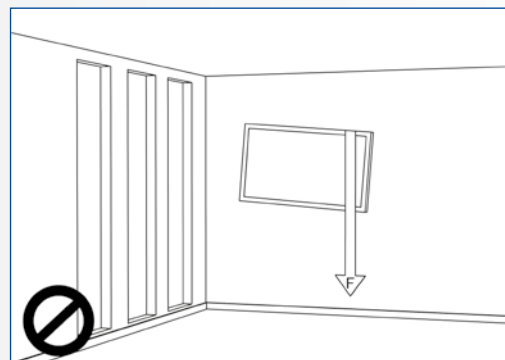
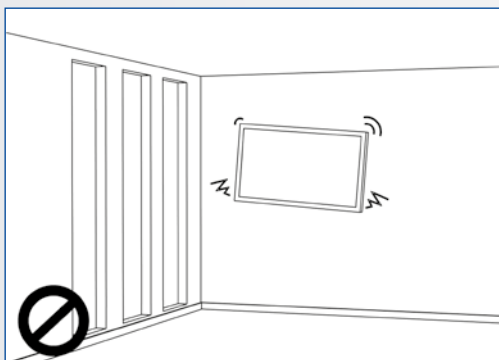
- Cuando mueva la e-Screen, asegúrese de quitar la clavija y los cables de la toma o la fuente.
- Se necesitan al menos 4 personas para desembalar o transportar la e-Screen. Asegúrese de transportar la e-Screen en posición vertical.
- Transporte la e-Screen en posición vertical. Evite colocar la e-Screen hacia arriba o hacia abajo.
- Maneje la e-Screen con cuidado. Evite que se caiga.

## 2.4. AVISO DE SEGURIDAD DE MONTAJE EN PARED

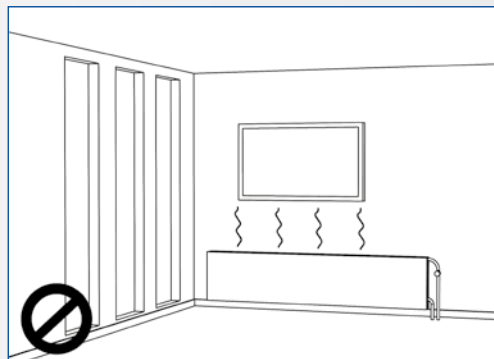
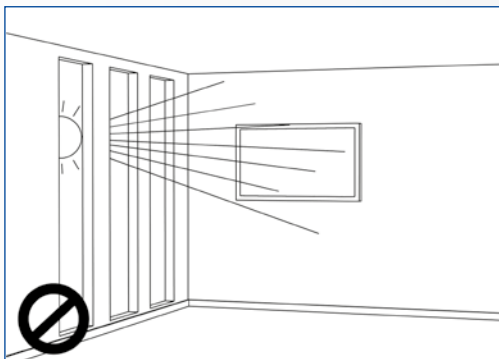
1. Asegúrese de que el soporte esté bien fijado a una pared o pilar sólidos para evitar riesgo de caídas debidas al peso.



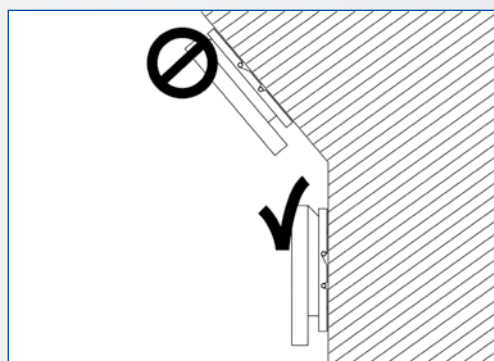
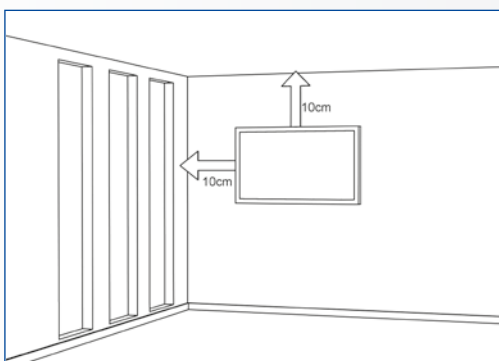
2. Tras el montaje, no tire de la pantalla ni la agite aplicando fuerza.



3. No coloque el soporte en lugares con luz solar directa o humedad / temperatura elevada para evitar que la calidad se vea afectada.



4. Recomendamos instalar el soporte a más de 10 cm de distancia de las paredes adyacentes y en posición vertical.



## 2.5. USO RECOMENDADO

**Si se presenta un problema durante la instalación, solicite ayuda a su proveedor. No repare ni abra la e-Screen por su cuenta.**

Si no lo hace, podría producirse un incendio o una descarga eléctrica. Póngase en contacto con su distribuidor para realizar una revisión.

**Proteja y utilice correctamente la clavija y el cable de alimentación.**

- No aplaste la clavija ni el cable de alimentación entre superficies duras.
- No pise la clavija ni el cable de alimentación.
- Antes de introducir la clavija en la toma de corriente, conecte el cable de alimentación a la pantalla.

- Si utiliza la e-Screen con un cable de alimentación dañado o que no sean original, podría dañar la pantalla, causar incendios o descargas eléctricas.

**Utilización de cables extensores (no recomendado)**

Si debe utilizarse un alargador, asegúrese de que la tensión nominal supere el consumo máximo de potencia de la pantalla. Si la tensión nominal es inferior a la de la pantalla, hará que el alargador se sobrecaliente.

**No utilice la pantalla durante tormentas con truenos y relámpagos.**

Extraiga el enchufe de alimentación de la toma de corriente.

## **No utilice ningún tipo de líquido en la e-Screen.**

- Si se vierte líquido en la e-Screen, desconecte la alimentación y solicite una revisión del producto al personal del servicio técnico cualificado.
- Si se introduce líquido en la pantalla de visualización, límpiela con un paño suave y seco de inmediato.
- No utilice ningún tipo de producto químico agresivo en la e-Screen.
- Si se introducen metales o líquido en la e-Screen, se podría producir un incendio o descarga eléctrica.

## **No instale ni retire la clavija con las manos mojadas.**

Podría producirse una descarga eléctrica.

## **Si no va a utilizar la e-Screen durante un periodo de tiempo prolongado, desenchúfela.**

Podría ocasionarse un desgaste prematuro de los componentes eléctricos o un incendio.

## **Maneje la e-Screen con cuidado para evitar que se rompa el cristal.**

- Si se rompe el cristal del panel de la pantalla, podría salir líquido. No toque el líquido.
- Si estos líquidos entran en contacto con la piel o los ojos, lávelos inmediatamente con agua limpia y consulte a un profesional de la salud.

## **Precauciones con las pilas del mando a distancia**

- Utilice únicamente pilas de tipo AAA.
- Asegúrese de introducir las pilas haciendo coincidir las polaridades + y -.
- No recargue, caliente, desmonte, provoque un cortocircuito ni eche las pilas al fuego.
- No mezcle una pila nueva con otra usada.
- No junte diferentes tipos de pilas (use únicamente el tipo indicado).

## 2.6. LIMPIEZA

### **Quite la clavija antes de limpiarla.**

Si no lo hace, podría producirse una descarga eléctrica o daños.

### **Limpieza de la superficie de la e-Screen**

- Si se ensucia la superficie de la e-Screen, límpiela suavemente con un paño limpio y suave.
- Si la superficie requiere una limpieza adicional, humedezca un poco el paño.

- No deje que se introduzcan líquidos en la e-Screen puesto que podría producirse una descarga eléctrica o daños.
- No limpie la e-Screen con alcohol, disolventes ni amoníaco, ya que podría dañarse.



## 3. CONTENIDO DEL PAQUETE

### 3.1. DESEMBALAJE

- En el embalaje de la e-Screen se emplean amortiguadores para proteger el producto durante el envío.
- Antes de desembalar, prepare una superficie estable, equilibrada y limpia que esté cerca de una toma de corriente.
- Coloque la caja en posición vertical y ábrala desde la parte de arriba antes de quitar los amortiguadores de la parte superior.
- Paso 1: retire el asa blanca y corte las cintas
- Paso 2: retire el amortiguador superior y saque la bolsa de accesorios.

### 3.2. ACCESORIOS INCLUIDOS

Elemento
Mando a distancia por IR (pilas incluidas)
Cable HDMI
Cable B a A tipo USB
Cable de alimentación
2-in-1 stylus
2 x Lápiz de alta precisión
Easyfix cable clips
Unidad USB con manual de usuario, controlador UPDD (para computadoras Apple) y la última versión de firmware

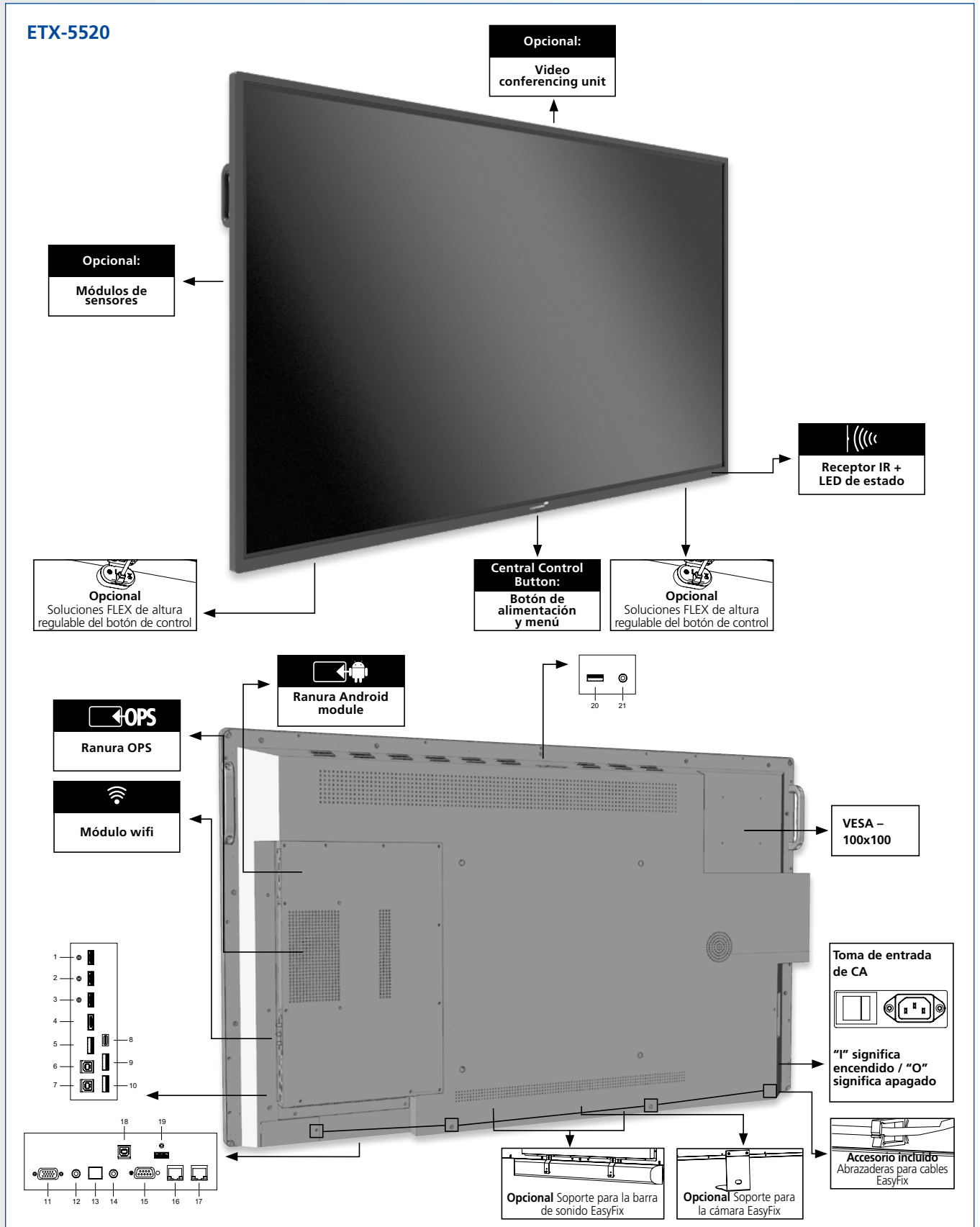
## 4. INSTALACIÓN

### 4.1. CONDICIONES AMBIENTALES

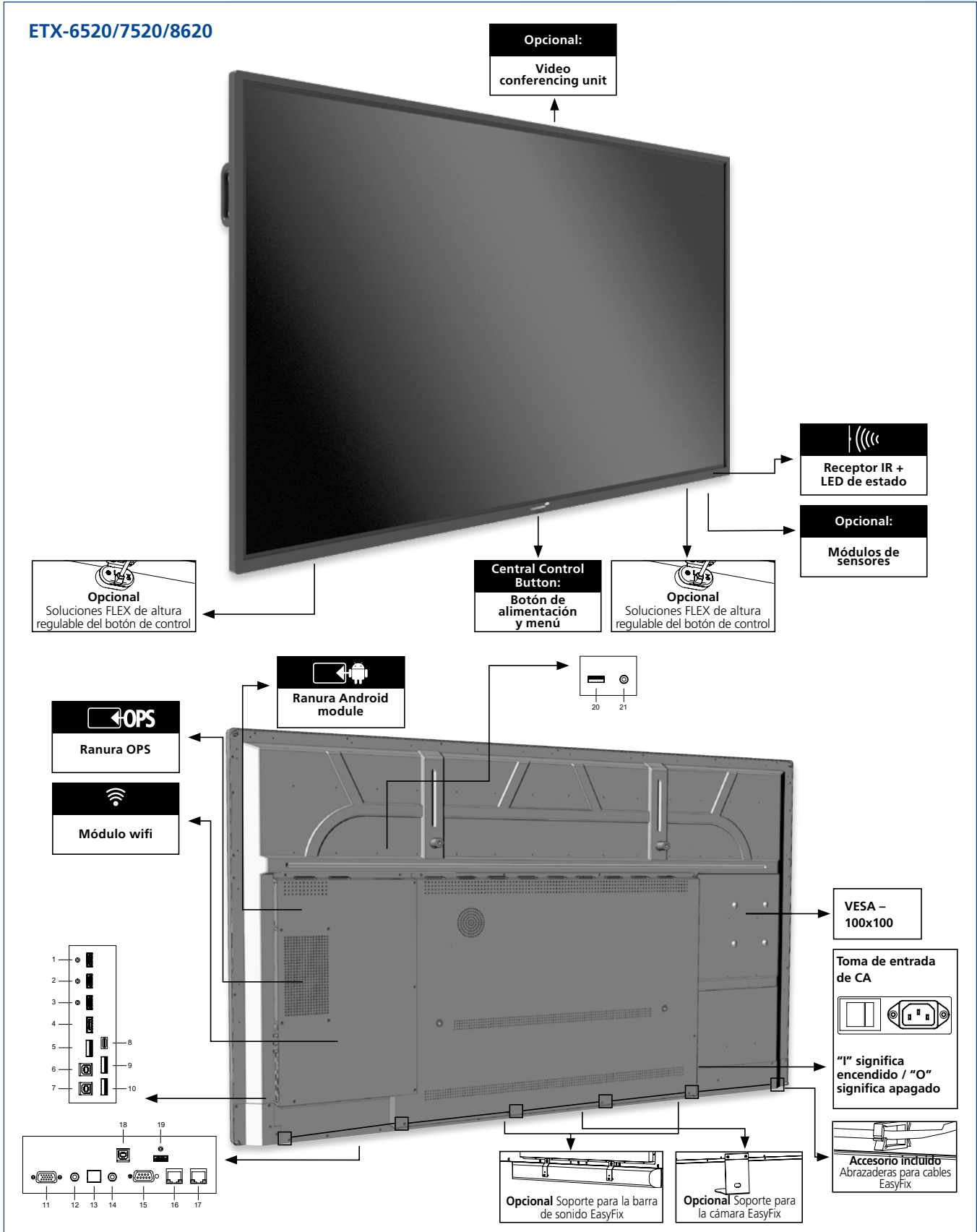
Cuando ponga en funcionamiento la pantalla, las condiciones ambientales de la sala no deben superar los siguientes valores:

- Temperatura de funcionamiento: -5 °C a 45 °C
- Humedad: menos del 90% de HR (máx.)

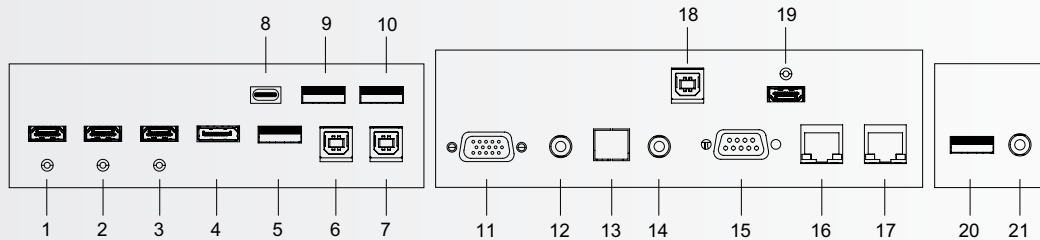
## 4.2. VISTA GENERAL DE LA PANTALLA



ETX-6520/7520/8620

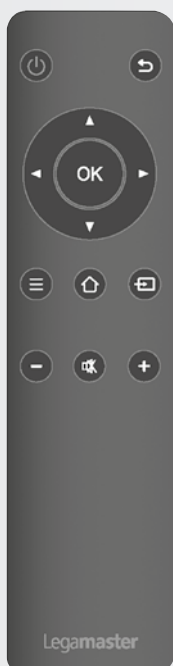


## 4.3. TABLA DE CONECTORES DE ENTRADA Y DE SALIDA



1	<b>Salida HDMI</b> Puede utilizarse para conectar la e-Screen a un monitor externo.	12	<b>Entrada de audio de PC</b> Conecta la salida de audio desde un PC.
2	<b>HDMI (ARC)</b> Entrada de vídeo digital conforme a HDCP para dispositivos compatibles con ARC.	13	<b>SPDIF</b> Conecta altavoces digitales externos activos o un receptor / amplificador de audio.
3	<b>HDMI 2</b> Son entradas de vídeo digital que cumplen con HDCP para conectar fuentes HDMI.	14	<b>Salida de audio</b> Conecta altavoces externos activos o un receptor / amplificador de audio externo.
4	<b>DisplayPort</b> Es una entrada SD / HD que cumple con DisplayPort 1.2, 1.1a y DisplayPort-HDCP 1.1, que sirve para conectar las fuentes de vídeo por componentes SDTV, EDTV o HDTV.	15	<b>Entrada RS232C</b> Es un conector hembra D-sub de 9 contactos para la interconexión con un PC o un sistema de control.
5	<b>USB-A 2.0</b> Puerto USB-A 2.0 para la conexión de dispositivos mediante un cable USB. También utilizado como puerto de servicio.	16-17	<b>Puerto LAN</b> Es un conector RJ-45 para la interconexión con un PC o un sistema de control / de automatización de cine en casa a través de un cable CAT 5.
6	<b>USB táctil 1</b> Puerto estándar USB tipo B para la función táctil de la pantalla. Vinculado a HDMI 1.	18	<b>USB táctil 3</b> Un puerto USB estándar, tipo B, para la funcionalidad táctil de la pantalla. Vinculado a HDMI 3.
7	<b>USB táctil 2</b> Puerto estándar USB tipo B para la función táctil de la pantalla. Vinculado a HDMI 2, DisplayPort y VGA.	19	<b>HDMI 3</b> Entradas de vídeo digital conformes con HDCP para conectar fuentes HDMI.
8	<b>USB-C</b> Un puerto USB-C que soporta el suministro de energía, USB 3.0 y DisplayPort. Por favor, asegúrese de que se utilicen cables certificados que soporten estas características.	20	<b>USB-A 3.0</b> Puerto USB 3.0 para conectar la EasyFix Video Conferencing Unit
9-10	<b>USB-A 3.0</b> Puerto USB-A 3.0 para la conexión de dispositivos mediante un cable USB	21	<b>PC Audio In</b> Entrada de audio para conectar la EasyFix Video Conferencing Unit
11	<b>VGA In (15 pines D-Sub)</b> Conecta componentes que tienen RGB o conectores de salida por componentes, como un PC		

## 4.4. MANDO A DISTANCIA



Etiqueta	Descripción
	Enciende y apaga la pantalla
	Botón de atrás
	Botones de navegación
	Seleccionar / confirmar (en el menú) o Congelar (press and hold pulsada cualquier fuente excepto Android)
	Menú
	Home
	Selecciona cada fuente, en una secuencia
	Disminuye el volumen
	Desactiva el sonido
	Aumenta el volumen

## 4.4.1. Cambio de las pilas del mando a distancia

### 1. Retire la cubierta de las pilas

Deslice hacia atrás y retire la cubierta de las pilas en la dirección de la flecha.

### 2. Introduzca las pilas

Alinee e inserte dos pilas AAA según los puertos más y menos (como se indica en el mando a distancia).

### 3. Cierre la cubierta de las pilas

Vuelva a poner la cubierta de las pilas siguiendo la dirección de la flecha y encájela en su sitio.

- I. Las pilas usadas deben seguir las normas locales para desecharse.
- II. No deje pilas usadas y viejas dentro del mando a distancia ya que podrían producirse fugas de líquido interno y ocasionar la oxidación del metal o daños irreversibles en la unidad manual del mando a distancia.
- III. Las pilas deben utilizarse según las instrucciones



### PRECAUCIÓN

#### Acerca del mando a distancia

- No lo tire, sacuda ni golpee.
- No lo coloque encima de materiales mojados.
- No lo desmonte.

## 5. FUNCIONAMIENTO

Antes de usar la pantalla por primera vez, por favor, actualícela con la última versión del firmware. Las pantallas electrónicas de ETX pueden ser actualizadas de dos maneras, por aire (se requiere conexión a Internet) o usando una unidad USB.

Para actualizar a la última versión del firmware, abra el menú de inicio rápido pulsando el botón de control central de la pantalla electrónica. En este menú, pulse el botón de configuración para abrir el menú de configuración.

En el menú de configuración, seleccione „Dispositivo“ y luego „Actualizaciones del sistema“. La sección de actualización está protegida por un código de identificación personal (por defecto = 0000)

1. Actualización local: Inserte una unidad USB que contenga un archivo update.zip (suministrado con la pantalla) en el puerto USB 2.0 del lado de la pantalla. Seleccione ‚actualización local‘ y seleccione la unidad USB. Se iniciará el proceso de actualización.
2. Actualización Over-the-Air: Seleccione „Actualización en línea“. El sistema comprobará si hay una nueva versión de firmware disponible. Si hay una nueva versión disponible, el sistema solicitará una actualización. Por favor, confirme, después de lo cual el proceso de actualización se iniciará

PARA PREGUNTAS FRECUENTES, POR FAVOR VISITE:

[WWW.FAQ.LEGAMASTER.COM](http://WWW.FAQ.LEGAMASTER.COM)

## 5.1. ENCENDER Y APAGAR LA PANTALLA

Por favor, asegúrese de que la pantalla esté conectada a un enchufe de corriente alterna con el cable de alimentación suministrado. Ponga el interruptor de CA en „I“. El monitor estará en modo de espera (indicado por una luz roja)

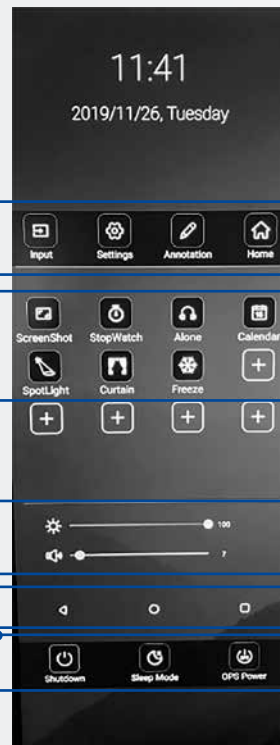
Pour allumer l'écran, appuyez une fois sur le bouton de commande central ou sur le bouton d'alimentation de la télécommande.

Para apagar el monitor, mantenga pulsado el botón del mando central durante 2 segundos o pulse el botón de encendido del mando a distancia. La pantalla pasará al modo de espera.

Para apagar la energía por completo, ponga el interruptor de CA en „O“ o desconecte el cable de alimentación de CA de la toma de corriente.

## 5.2. MENÚ DE INICIO RÁPIDO

Al pulsar el botón de comando central una vez, se abrirá el menú de Lanzamiento Rápido. Desde este menú personalizable, se puede acceder rápidamente a las funciones más utilizadas de la pantalla.



- Entrada: Haga clic para seleccionar la entrada / fuente deseada
- Ajustes: Abre el menú de ajustes (véase 5.4)
- Herramienta de anotación
- Home: Abre el Lanzador de Androides

- Captura de pantalla: hace una captura de pantalla instantánea y la guarda en el sistema de archivos, o cuando se inserta una unidad USB (en un puerto USB 3.0) en la unidad USB
- Cronómetro: Abre una pantalla de reloj con temporizador, cronómetro y alarma.
- Solo: Apaga la pantalla, pero sigue reproduciendo el audio. Despierta la pantalla tocándola con 2 dedos.
- Calendario: abre un calendario
- Foco de atención: Activa un foco. El foco se puede mover, aumentar o disminuir de tamaño.
- Cortina: activa la función de cortina
- Congela: Congela la pantalla. Desbloquea presionando el icono de Congelar de nuevo.

- Deslizador de brillo
- Deslizador de volumen

### Botones de encendido:

- Apagado: apaga la pantalla y cuando corresponda el ordenador OPS.
- Sleep-mode: induce un modo en el que la pantalla y el audio se apagan, pero del que la pantalla se puede recuperar en un instante tocando la pantalla con 2 dedos, o pulsando el botón de control central
- OPS-power: enciende o apaga el ordenador OPS.

### Botones de acción:

- < Retroceder / pantalla anterior
- O Home (pantalla de inicio del lanzador Legamaster)
- □ Visión general: Muestra todas las aplicaciones abiertas y permite a los usuarios cambiar rápidamente entre ellas, o cerrar todas las aplicaciones abiertas a la vez.

## 5.3. FLOAT MENU

Un menú flotante aparece cuando se pasa por el borde inferior de la pantalla.



En este menú flotante, se pueden encontrar 3 botones de acción con la siguiente funcionalidad:

- ◀ Back: te lleva de vuelta a la pantalla anterior
- ⦿ Home: te lleva de vuelta a la pantalla principal del Lanzador de Legamaster
- ▣ Resumen: Muestra todas las aplicaciones abiertas y permite a los usuarios cambiar rápidamente entre ellas, o cerrar todas las aplicaciones abiertas a la vez.

## 5.4. SETTINGS MENU

A continuación puede encontrar un resumen completo del menú de ajustes de la pantalla electrónica del ETX-XX20, junto con una explicación de los ajustes.

MAIN SETTINGS CATEGORY	SETTING CATEGORY	LEVEL1	LEVEL2	VALUES	EXPLANATION
NETWORK & CONNECTED DEVICES	Ethernet	MAC address			shows the MAC address for the wired connection
		IP address			shows the IP address for the wired connection
		Ethernet		ON/OFF	Toggle ethernet-connection on / off for the screen itself. Disabling this does not disable ethernet for the OPS
	Wi-Fi	MAC address			shows the MAC address for the Wi-Fi connection
		IP address			shows the IP address for the Wi-Fi connection
	Portable hotspot	Hotspot		ON/OFF	Toggle the hotspot-functionality on / off
		Setup Wi-Fi hotspot			Set-up the hotspot
	Bluetooth	MAC address			show the MAC address for the bluetooth adapter
		Blooth		ON/OFF	Toggle bluetooth on/ off, show / connect with available devices
	DEVICE	Picture			Standard
		Picture mode		Dynamic	
				Soft	
				User	Picture mode where settings can be adjusted manually in ,Advanced'
				User	Choose a power-mode: User = manual brightness setting, Auto = Automatic brightness setting based on ambient light conditions, balanced = brightness 75, ECO = brightness 50, DCR = 100. Power consumption varies based on these settings.
		Power mode		Auto	
				Balanced	
				ECO Friendly	
				DCR	
				Standard	Select a color temperature mode
		Color temprature		Cool	
				Warm	
		Eye protect		ON/OFF	Toggle Eye Protect mode on / off. When enabled, the brightness will be reduced when writing.
		Anti blue light		ON/OFF	Toggle Anti blue light on / off. When enabled the amount of blue light will be reduced.
		Backlight		0-100	Manually adjust the brightness. Using this setting will change the power mode setting to ,Manual'

# FUNCIONAMIENTO

MAIN SETTINGS CATEGORY	SETTING CATEGORY	LEVEL1	LEVEL2	VALUES	EXPLANATION		
DEVICE	Picture	Advanced	Contrast	0-100	In Picture mode ,User', use these settings to manually adjust the picture settings		
			Brightness	0-100			
			Saturation	0-100			
			Sharpness	0-100			
			PC mode	PC / Video	Allows switching to Video mode, in which ,Overscan' can be used		
			Display mode	16:9/P2P	Toggle picture aspect mode		
			MEMC	Off/Low/Middle/High	Change the MEMC level		
			Overscan	ON/OFF	toggle between overscan on and off.		
			HDR	ON/OFF	toggle between HDR on and off.		
		VGA auto adjust		toggle VGA auto adjust o / off when receiving a VGA signal			
	Sound	Audio output		Speaker/SPDIF/ARC/Bluetooth	Choose the Audio output		
		Sound mode		Standard/Music/Movie/Sports/User	Select a pre-set sound mode. ,User' allows manual sound settings		
		SPDIF mode		RAW/PCM	Toogle SP/DIF mode between RAW / PCM		
		AVC		ON/OFF	toggle AVC on / off		
		Sound Effect		ON/OFF	toggle sound effect on / off		
		Volume		0-100	set volume		
		Balance		0-100	set balance		
		EQ 120Hz		0-100	Manually adjust settings, when sound mode is set to , User'		
		EQ 500Hz		0-100			
EQ 1.5KHz			0-100				
EQ 5KHz		0-100					
EQ 10KHz		0-100					
SYSTEM	Security	Change password			Change your password		
		Safe mode		ON/OFF	Safe mode password-protects the complete settings menu, file browser and....		
		App lock			Select individual apps that will be password-protected		
		App install/uninstall lock		ON/OFF	App (de)install lock disables (de)installation of apps		
		Touch lock		ON/OFF	Touch lock disables touch functionality		
		Keypad lock		ON/OFF	Keypad lock disables use of the Central Control Button		
		IR lock		ON/OFF	IR lock disables use of the remote control		
		Network lock		ON/OFF	Network lock disables ethernet, Wifi and Bluetooth connections		
	Manage apps	Installed apps			manage user-installed apps(FORCE STOP/UNINSTALL/CLEAR DATA)		
		All apps			manage all apps(FORCE STOP/DISABLE/CLEAR DATA)		
	Power	Power-on / shutdown timer	Shutdown timer			set the shutdown timer	
			Power-on timer			set the power-on timer	
		Power on settings	Power on mode	Direct			set power on mode to direct
				Standby			set power on mode to standby
				Memory			set power on mode to memory
			Power on source	Memory/Android/PC/HDMI1/HDMI2/HDMI3/DP/USB_C/VGA			Choose the source in which the screen powers-on
			Power on volume	Memory/User			Set the power-on volume. In ,User' users can select a power-on volume manually
			Volume setting	0-100			Set the power-on volume
			Boot OPS at power-on	ON/OFF			Choose wether the OPS boots automatically when the screen is power-on
		Wake on lan		ON/OFF		Enable / disable wake on Lan	
		Motion Wake-up		ON/OFF		Enable / disable motion wake-up by the proximity sensor	
		Motion Detection		Off/15/30/45/60 minutes		Dis- / enable the proximity sensor to put the screen in sleep mode when no motion is detected by the proximity sensor	
		Shutdown timer		OFF/1/10/20/30/60/90/120/180 minutes		set a shutdown timer	
Auto shutdown		Off/1/3/5/10 minutes		Shuts down the screen when there's no signal			



MAIN SETTINGS CATEGORY	SETTING CATEGORY	LEVEL1	LEVEL2	VALUES	EXPLANATION	
OTHERS	More	Auto sense		OFF/Prompt/Direct	Select the auto sense mode. In auto sense, the screen will detect new active signals and switch to that source automatically (direct), or when confirmed (prompt). When a signal is switched off, autosense will automatically check for other active sources in the sequence OPS slot, HDMI 1, HDMI 2, HDMI 3, DisplayPort, USB C, VGA always ending in the Android launcher (when enabled)	
		Temperature protection		ON/OFF	With temperature protection, a user can set an alarm temperature in which the screen will shutdown automatically	
		Current temperature		0-100	shows the current temperature of the screen	
		Alarm temperature		50-100	set the alarm temperature value. When reached, the screen will automatically shutdown to prevent further temperature increase	
		HDMI	HDMI out		1080p 60Hz/2160p 30Hz/2160p 60Hz	set the HDMI out signal
			HDMI EDID version		EDID 1.4/EDID 2.0	set the HDMI EDID version
		Date & time	Automatic date & time		ON/OFF	Automatic date and time requires an active internet connection. Disabling this setting allows users to manually set the date & time
			Date			Show or set the current date
			Time			show or set the current time
			Time zone			set the time zone
		Use 24-hour format		ON/OFF		Choose between a 12 or a 24 hr time format
			Languages		Deutsch/English/Francais/Nederlands	set the language
		Keyboard & inputs	Current Keyboard			Shows the current keyboard / allows users to switch keyboards
			Android Keyboard (AOSP)			Configure the default (AOSP) keyboard
			Manage keyboards			Manage keyboards
		Individuation	Set wallpaper			change and set the wallpaper
			Set ,no input' wallpater			change and set the no input wallpaper
			Set source label			Label various sources for easier recognition
		Device	Device name			show or change the device name
	Device model				shows the device model	
	System information		Firmware version		shows all system information	
	System Updates		Local update			Updates the systems firmware using a USB-drive
			Online update			Checks for updates online
Reset				restore factory settings. NOTE! This will erase all custom settings, data and custom apps from your system		

## 5.5. ACTUALIZANDO LA PANTALLA

Las pantallas electrónicas de ETX-xx20 (PLUS) pueden ser actualizadas con una nueva versión de firmware. Las actualizaciones se pueden hacer usando un\_x000D\_ USB o ,over-the-air'.

### 5.5.1 Actualización de la pantalla electrónica con una unidad USB

Cargue el archivo update.zip en una unidad USB, e insértelo en el puerto USB 2.0 en el lado de la pantalla electrónica de ETX. Ir a el menú de ajustes de la pantalla electrónica de ETX. En la sección Otros" del menú, seleccione „Dispositivo“. Seleccione ,Actualizaciones del sistema' y elegir „actualización local“. Introduce el código pin del sistema, luego selecciona la unidad USB con el archivo update.zip. Siga las instrucciones hasta que esté listo“.

Después de completar el proceso de actualización, por favor apague el sistema completamente (usando el interruptor de CA).

### 5.5.2 Actualización de la pantalla electrónica „over-the-air

Asegúrate de que la pantalla electrónica de ETX tenga una conexión a Internet activa. Vaya al menú de ajustes de la pantalla electrónica de ETX.

En la sección Otros" del menú, seleccione „Dispositivo“. Seleccione ,Actualizaciones del sistema' y elija ,actualización en línea'. Ingrese a el código PIN del sistema. El sistema comprobará si hay actualizaciones disponibles. Cuando una nueva versión de firmware es disponible, haga clic en el botón de ,descarga' para iniciar el proceso de actualización.“

NOTA: por favor, verifique que la URL del servidor correcta se introduce

<http://68.66.241.101:8080/ota/upgrade>

Después de completar el proceso de actualización, por favor apague el sistema completamente (usando el interruptor de CA).

## 5.6. ACTIVAR / DESACTIVAR ANDROIDE

ETX-XX20 (PLUS) e-Screens ofrece a los usuarios la opción de desactivar Android. Para desactivar o activar Android, utilice el mando a distancia control suministrado con la pantalla“.

Presione: Fuente / Izquierda / Derecha / Más / Menos

Aparecerá un baile de graduación (activación de Android); seleccione ON para activar Android, presione OFF para desactivar Android

NOTA: la desactivación de Android limita las funcionalidades de la pantalla. No se puede acceder a algunas configuraciones o cambiarlas\_x000D\_después de que Androide haya sido desactivado.

## 6. FUNCIÓN TÁCTIL

Para poder controlar varias fuentes (activadas) utilizando la funcionalidad táctil de la e-Screen, es necesario contar con una conexión dedicada entre la e-Screen y la fuente mediante un cable USB (suministrado):

1. Conecte la fuente a la pantalla con un cable de vídeo (VGA / HDMI / Displayport)
2. Utilice el cable USB suministrado para conectar la fuente a la pantalla, utilizando el conector USB-A para la fuente y el conector USB-B con la pantalla.
3. Encienda tanto la pantalla como la fuente. Podría tardar hasta cinco segundos en activarse.
4. Cuando se utiliza un cable adecuado de USB-C a USB-C, el video, la alimentación y la conectividad táctil son\_x000D\_...en un cable.

## 7. ESPECIFICACIONES

PRODUCT LOGISTICS	ETX-8620	ETX-7520	ETX-6520	ETX-5520
Dimension of Package Carton (W x H x D)	2139x1363x231	1875x1186x231	1676x1097x231	1414x901x232
Weight of Package Carton (Gross)	85	75,8	56	45
Product SAP / EAN / KEA	868007000 / 8713797092500 / 7-803120-86	868006000 / 8713797092494 / 7-803120-75	868005000 / 8713797092487 / 7-803120-65	868004000 / 8713797092470 / 7-803120-55
PRODUCT SPECIFICATIONS				
Screen Size	86" (85.6")	75" (74.52")	65" (64.53")	55" (54.64")
Panel Technology	TFT LCD	TFT LCD	TFT LCD	TFT LCD
Display Resolution	3840 x 2160	3840 x 2160	3840 x 2160	3840 x 2160
Brightness (Typical)	350 cd / m <sup>2</sup>	350 cd / m <sup>2</sup>	350 cd / m <sup>2</sup>	350 cd / m <sup>2</sup>
Contrast (Typical)	1200 : 1	4000:1	4000:1	4000:1
Response Time	8 ms	8 ms	9 ms	9 ms
Frame Rate	60 Hz	60 Hz	60 Hz	60 Hz
Viewing Angle (H / V)	178° / 178°	178° / 178°	178° / 178°	178° / 178°
Display Colors	1.07B (10-bit)	1.07B (10-bit)	1.07B (10-bit)	1.07B (10-bit)
Backlight Type	Direct LED	Direct LED	Direct LED	Direct LED
Service life	> 40.000 Hours	> 40.000 Hours	> 40.000 Hours	> 40.000 Hours
Orientation	Landscape	Landscape	Landscape / Portrait	Landscape / Portrait
CPU	ARM Cortex A73x2; Cortex A53x2	ARM Cortex A73x2; Cortex A53x2	ARM Cortex A73x2; Cortex A53x2	ARM Cortex A73x2; Cortex A53x2
GPU	G51MP4	G51MP4	G51MP4	G51MP4
Operating System	Android 8.0	Android 8.0	Android 8.0	Android 8.0
Memory	4 GB	4 GB	4 GB	4 GB
On-Board Storage	32GB	32GB	32GB	32GB
Detection Method	High Precision Advanced Infrared	High Precision Advanced Infrared	High Precision Advanced Infrared	High Precision Advanced Infrared
Available Touch Points	32 Point Ø5 point Ø3mm	32 Point Ø5 point Ø3mm	32 Point Ø5 point Ø3mm	32 Point Ø5 point Ø3mm
Response Time (Typical)	<= 10 ms	<= 10 ms	<= 10 ms	<= 10 ms
Minimum Response Size	>= Ø 3 mm	>= Ø 3 mm	>= Ø 3 mm	>= Ø 3 mm
Touch Resolution	32771 x 32768	32770 x 32768	32769 x 32768	32768 x 32768
Input Connectors	HDMI 2.0 ARC x 1 / HDMI 2.0 x 2 / DisplayPort x 1 / USB-A 3.0 x 3 + 2.0 x 1 / USB-C x 1 / VGA + 3.5mm jack x 1 / RS-232C x 1 / LAN RJ45 x 2			
Output Connectors	HDMI (4k@60Hz) x 1 / Optical (SPDIF) out x 1 / 3.5mm audio jack x 1 / Touch-out USB-B x 3			
OPS Slot	YES	YES	YES	YES
Android Slot	YES	YES	YES	YES
Wifi (pluggable / removable module)	802.11a/b/g/n/ac, Bluetooth v. 5			
Audio Power Output (RMS)	15 W x 2 / 8 Ω	15 W x 2 / 8 Ω	15 W x 2 / 8 Ω	15 W x 2 / 8 Ω
Subwoofer	15 W	15 W	15 W	15 W
Dimension of Product (W x H x D)	1959.5x1140.2x89.3	1714.7x1002.8x89.3	1490.5x875.5x89.3	1285.5x766.2x90
Weight of Product	66	55,9	43	34,3
VESA® Hole Pitch (W x H)	600 x 800 (mm), M8 Screw. Supplied with mounted 400x600 adapter		400 x 600 (mm), M8 Screw	400 x 400 mm, M8 Screw
Front Glass	4mm Tempered Anti-Glare	4mm Tempered Anti-Glare	4mm Tempered Anti-Glare	4mm Tempered Anti-Glare
Power Supply	AC 100-240 V 50 / 60 Hz	AC 100-240 V 50 / 60 Hz	AC 100-240 V 50 / 60 Hz	AC 100-240 V 50 / 60Hz
Power Consumption (in Operation)	360	295	160	125
Power Consumption (in Standby)	<= 0.5 W	<= 0.5 W	<= 0.5 W	<= 0.5 W
ECO Sensor	Yes	Yes	Yes	Yes
Operation Temperature	0 - 40 °C	0 - 40 °C	0 - 40 °C	0 - 40 °C
Storage Temperature	-20 - 60 °C	-20 - 60 °C	-20 - 60 °C	-20 - 60 °C
Operation Humidity	20 - 80 %RH (No Condensation)	20 - 80 %RH (No Condensation)	20 - 80 %RH (No Condensation)	20 - 80 %RH (No Condensation)
Storage Humidity	10 - 90 %RH	10 - 90 %RH	10 - 90 %RH	10 - 90 %RH
Accessories	remote, HDMI cable 5m, USB cable 5m, High Precision stylus pack (2pcs), Double side stylus, Easy-fix cable clips			

# ESPECIFICACIONES

PRODUCT LOGISTICS	ETX-8620 PLUS	ETX-7520 PLUS	ETX-6520 PLUS
Dimension of Package Carton (W x H x D)	2139x1363x231	1875x1186x231	1676x1097x231
Weight of Package Carton (Gross)	tbd	tbd	tbd
Product SAP / EAN / KEA	868034000 / 8713797092814 / 7-803120-86P	868033000 / 8713797092807 / 7-803120-75P	868032000 / 8713797092791 / 7-803120-65P
PRODUCT SPECIFICATIONS			
Screen Size	86" (85.6")	75" (74.52")	65" (64.53")
Panel Technology	TFT LCD	TFT LCD	TFT LCD
Display Resolution	3840 x 2160	3840 x 2160	3840 x 2160
Brightness (Typical)	350 cd / m <sup>2</sup>	350 cd / m <sup>2</sup>	350 cd / m <sup>2</sup>
Contrast (Typical)	1200 : 1	4000:1	4000:1
Response Time	8 ms	8 ms	9 ms
Frame Rate	60 Hz	60 Hz	60 Hz
Viewing Angle (H / V)	178° / 178°	178° / 178°	178° / 178°
Display Colors	1.07B (10-bit)	1.07B (10-bit)	1.07B (10-bit)
Backlight Type	Direct LED	Direct LED	Direct LED
Service life	> 40.000 Hours	> 40.000 Hours	> 40.000 Hours
Orientation	Landscape	Landscape	Landscape / Portrait
CPU	ARM Cortex A73x2; Cortex A53x2	ARM Cortex A73x2; Cortex A53x2	ARM Cortex A73x2; Cortex A53x2
GPU	G51MP4	G51MP4	G51MP4
Operating System	Android 8.0	Android 8.0	Android 8.0
Memory	4 GB	4 GB	4 GB
On-Board Storage	32GB	32GB	32GB
Detection Method	High Precision Advanced Infrared	High Precision Advanced Infrared	High Precision Advanced Infrared
Available Touch Points	32 Point Ø5 point Ø3mm	32 Point Ø5 point Ø3mm	32 Point Ø5 point Ø3mm
Response Time (Typical)	<= 10 ms	<= 10 ms	<= 10 ms
Minimum Response Size	>= Ø 3 mm	>= Ø 3 mm	>= Ø 3 mm
Touch Resolution	32771 x 32768	32770 x 32768	32769 x 32768
Input Connectors	HDMI 2.0 ARC x 1 / HDMI 2.0 x 2 / DisplayPort x 1 / USB-A 3.0 x 3 + 2.0 x 1 / USB-C x 1 / VGA + 3.5mm jack x 1 / RS-232C x 1 / LAN RJ45 x 2		
Output Connectors	HDMI (4k@60Hz) x 1 / Optical (SPDIF) out x 1 / 3.5mm audio jack x 1 / Touch-out USB-B x 3		
OPS Slot	YES	YES	YES
Android Slot	YES	YES	YES
Wifi (pluggable / removable module)	802.11a/b/g/n/ac, Bluetooth v. 5		
Audio Power Output (RMS)	15 W x 2 / 8 Ω	15 W x 2 / 8 Ω	15 W x 2 / 8 Ω
Subwoofer	15 W	15 W	15 W
Dimension of Product (W x H x D)	1959.5x1140.2x89.3	1714.7x1002.8x89.3	1490.5x875.5x89.3
Weight of Product	tbd	tbd	tbd
VESA® Hole Pitch (W x H)	600 x 800 (mm), M8 Screw. Supplied with mounted 400x600 adapter	600 x 800 (mm), M8 Screw. Supplied with mounted 400x600 adapter	400 x 600 (mm), M8 Screw
Front Glass	2mm Optical Bonded Tempered Anti-Glare	2mm Optical Bonded Tempered Anti-Glare	2mm Optical Bonded Tempered Anti-Glare
Power Supply	AC 100-240 V 50 / 60 Hz	AC 100-240 V 50 / 60 Hz	AC 100-240 V 50 / 60 Hz
Power Consumption (in Operation)	360	295	160
Power Consumption (in Standby)	<= 0.5 W	<= 0.5 W	<= 0.5 W
ECO Sensor	Yes	Yes	Yes
Operation Temperature	0 - 40 °C	0 - 40 °C	0 - 40 °C
Storage Temperature	-20 - 60 °C	-20 - 60 °C	-20 - 60 °C
Operation Humidity	20 - 80 %RH (No Condensation)	20 - 80 %RH (No Condensation)	20 - 80 %RH (No Condensation)
Storage Humidity	10 - 90 %RH	10 - 90 %RH	10 - 90 %RH
Accessories	remote, HDMI cable 5m, USB cable 5m, High Precision stylus pack (2pcs), Double side stylus, Easy-fix cable clips		

## 8. INTERVALOS COMPATIBLES

### VGA SOURCE

No.	Signal format
1	640x480/60HZ
2	640x480/75HZ
3	800x600/60Hz
4	800x600/75Hz
5	1024x768/60Hz
6	1024x768/75Hz
7	1280x768/60Hz
8	1280x1024/60Hz
9	1280x1024/75Hz
10	1600x1024/60Hz
11	1920x1080P/60Hz
12	1920x1080P/50Hz

### DP Source

No.	Signal format
1	640x480/60HZ
2	640x480/75HZ
3	800x600/60Hz
4	800x600/75Hz
5	1024x768/60Hz
6	1024x768/75Hz
7	1280x768/60Hz
8	1280x1024/60Hz
9	1280x1024/75Hz
10	1600x1024/60Hz
11	1920x1080P/60Hz
12	1920x1080P/50Hz
13	3840x2160/30Hz
14	3840x2160/60Hz
15	1280x720P/60Hz
16	1280x720P/50Hz
17	720x480P/60Hz
18	720x576P/50Hz

### HDMI SOURCE

No.	Signal format
1	640x480/60HZ
2	640x480/75HZ
3	800x600/60Hz
4	800x600/75Hz
5	1024x768/60Hz
6	1024x768/75Hz
7	1280x768/60Hz
8	1280x1024/60Hz
9	1280x1024/75Hz
10	1600x1024/60Hz
11	1920x1080P/60Hz
12	1920x1080P/50Hz
13	3840x2160/30Hz
14	3840x2160/60Hz
15	1280x720P/60Hz
16	1280x720P/50Hz
17	720x480P/60Hz
18	720x576P/50Hz
19	1920x1080/60Hz
20	1920x1080/50Hz

## 9. COMANDOS DE SERIE

### 9.1. COMUNICACIONES DE SERIE

La pantalla utiliza un protocolo de control de texto sencillo para procesar solicitudes de dispositivos de control y proporcionar respuestas a dichos dispositivos. En esta sección se describe cómo enviar mensajes mediante un enlace serie entre la pantalla y un sistema de control / automatización o un PC que ejecute un programa de emulación de terminal como Windows® HyperTerminal o Tera Term.

### 9.2. CONEXIÓN RS-232 Y CONFIGURACIÓN DE PUERTOS

Conecte su sistema de control o PC a la entrada RS-232 de la pantalla.

Configure el controlador RS-232 o el puerto de serie del PC como se describe a continuación: Tasa de baudios: 115200, 8 bits, sin paridad, 1 bit de parada.

## 9.3. RS232 INTERFACE

Default Port settings > Baudrate: 115200, Bits:8,Parity: None, Stopbit:1								
Main Item	Control Item	Commando	Type Write / Read	Value in HEX	Reply in HEX Format: STX data ETX (STX=start text / ETX = end tekst)	Reply in Ascii	Range	Note
Power Control and input source	Power control	Power OFF	W	02 50 57 44 3A 30 30 03	4F 4B	OK		
		Power ON	W	02 50 57 44 3A 30 30 31 03	4F 4B	OK		
		Get Power status	R	02 50 57 44 3A 3F 03	02 xx 03	Only second nibble of byte	0-1	0 = power OFF 1 = Power ON
	Backlight	Screen off (Blank)	W	02 42 4C 54 3A 30 30 03	4F 4B	OK		
		Screen on (Blank)	W	02 42 4C 54 3A 30 30 31 03	4F 4B	OK		
		Get Screen Status (blank)	R	02 42 4C 54 3A 3F 03	02 xx 03	Only second nibble of byte	0-1	0 = screen OFF 1 = Screen ON
		Backlight Level	W	02 42 4C 56 3A 3x 3x 03	4F 4B	OK	0 ~ 100	x = 0-9 Example: 30 30 30 = 0 30 35 30 = 50 31 30 30 = 100
		Get Backlight Level	R	02 42 4C 56 3A 3F 03	02 xx xx xx 03	Only second nibble of each byte	0 ~ 100	
	Input source	HDMI 1	W	02 49 4E 50 3A 30 30 38 03	4F 4B	OK		
		HDMI 2	W	02 49 4E 50 3A 30 30 39 03	4F 4B	OK		
		HDMI 3	W	02 49 4E 50 3A 30 31 30 03	4F 4B	OK		
		OPS (PC)	W	02 49 4E 50 3A 30 30 34 03	4F 4B	OK		
		Display Port	W	02 49 4E 50 3A 30 31 32 03	4F 4B	OK		
		USB-C	W	02 49 4E 50 3A 30 31 36 03	4F 4B	OK		
		VGA	W	02 49 4E 50 3A 30 30 35 03	4F 4B	OK		
		Get Current Source	R	02 49 4E 50 3A 3F 03	02 xx xx 03	Only second nibble of byte 5, 8, 9, 10, 12, 14, 16		5 = VGA 8 = HDMI1 9 = HDMI2 10 = HDMI3 12 = DP 14 = OPS 16 = USB-C
	Picture	Picture	Set Picture Mode	W	02 50 49 43 3A 30 30 3x 03	4F 4B	OK	x = 0-3
Get Picture mode			R	02 50 49 43 3A 3F 03	02 xx 03	Only second nibble of byte	x = 0-3	0 = Dynamic 1 = Standard 2 = Soft 3 = User
Freeze		Freeze	W	02 4B 45 59 3A 30 33 35 03	4F 4B	OK		
Audio Control	Volume	Volume Down	W	02 4B 45 59 3A 30 31 33 03	4F 4B	OK		
		Volume UP	W	02 4B 45 59 3A 30 31 32 03	4F 4B	OK		
		Set Volume Level	W	02 56 4F 4C 3A 3x 3x 03	4F 4B	OK	0 - 100	x = 0-9 Example: 30 30 30 = 0 30 35 30 = 50 31 30 30 = 100
		Get Volume Level	R	02 56 4F 4C 3A 3F 03	02 xx xx xx 03	Only second nibble of each byte	0 - 100	
	Mute	Mute	W	02 4D 55 54 3A 30 30 31 03	4F 4B	OK		
		Unmute	W	02 4D 55 54 3A 30 30 30 03	4F 4B	OK		
	Sound mode	Sound mode	W	02 53 4E 44 3A 30 30 3x 03	4F 4B	OK	0-4	30 = Standard 31 = Music 32 = Movie 33 = Sport 34=User
		Get Sound mode	R	02 53 4E 44 3A 3F 03	02 xx 03	Only second nibble of Byte	0-4	0 = Standard 1 = Music 2 = Movie 3 = Sport 4=User

Default Port settings > Baudrate: 115200, Bits:8,Parity: None, Stopbit:1								
Commands	Keys	Menu	W	02 4B 45 59 3A 30 31 34 03	4F 4B	OK		
		Home	W	02 4B 45 59 3A 30 36 30 03	4F 4B	OK		
		Back	W	02 4B 45 59 3A 30 31 36 03	4F 4B	OK		
		Screenshot	W	02 4B 45 59 3A 30 36 32 03	4F 4B	OK		
		Input key	W	02 4B 45 59 3A 30 32 32 03	4F 4B	OK		
		Infor Key	W	02 4B 45 59 3A 30 32 34 03	4F 4B	OK		
		1	W	02 4B 45 59 3A 30 30 31 03	4F 4B	OK		
		2	W	02 4B 45 59 3A 30 30 32 03	4F 4B	OK		
		3	W	02 4B 45 59 3A 30 30 33 03	4F 4B	OK		
		4	W	02 4B 45 59 3A 30 30 34 03	4F 4B	OK		
		5	W	02 4B 45 59 3A 30 30 35 03	4F 4B	OK		
		6	W	02 4B 45 59 3A 30 30 36 03	4F 4B	OK		
		7	W	02 4B 45 59 3A 30 30 37 03	4F 4B	OK		
		8	W	02 4B 45 59 3A 30 30 38 03	4F 4B	OK		
		9	W	02 4B 45 59 3A 30 30 39 03	4F 4B	OK		
		0	W	02 4B 45 59 3A 30 30 30 03	4F 4B	OK		
		OK	W	02 4B 45 59 3A 30 31 35 03	4F 4B	OK		
			W	02 4B 45 59 3A 30 31 39 03	4F 4B	OK		
			W	02 4B 45 59 3A 30 32 30 03	4F 4B	OK		
	W	02 4B 45 59 3A 30 31 37 03	4F 4B	OK				
	W	02 4B 45 59 3A 30 31 38 03	4F 4B	OK				
Lock Options	Touch	Touch Lock	W	02 55 53 57 3A 30 30 34 03	4F 4B	OK		
		Touch Unlock	W	02 55 53 57 3A 30 30 35 03	4F 4B	OK		
		Get Touch Lock Status	R	02 55 53 57 3A 3F 03	02 xx 03	Only second nibble of byte	4-5	4 = Touch Lock ON 5 = Touch Lock OFF
	Keypad	Keypad Lock	W	02 55 41 44 3A 30 30 31 03	4F 4B	OK		
		Keypad Unlock	W	02 55 41 44 3A 30 30 30 03	4F 4B	OK		
		Get Keypad Lock Status	R	02 50 41 44 3A 3F 03	02 xx 03	Only second nibble of byte	0-1	0 = Keypad lock OFF 1 = Keypad Lock ON
	Remote	Remote Lock	W	02 49 52 4C 3A 30 30 31 03	4F 4B	OK		
		Remote Unlock	W	02 49 52 4C 3A 30 30 30 03	4F 4B	OK		
		Get Remote Lock Status	R	02 49 52 4C 3A 3F 03	02 xx 03	Only second nibble of byte	0-1	0 = Remote Lock OFF 1 = Remote Lock ON
Screen Info	Lan	Get Ethernet Mac Adress	R	02 4D 41 43 3A 3F 03	4D 41 43 3A xx xx xx xx xx xx xx	MAC: ,adres'		ex: 0:15:45:F3:12:BA
	Software	Get Software Version	R	02 46 56 52 3A 3F 03	46 56 52 3A xx xx xx xx xx xx xx	FVR: ,version'		ex: FVR:568PH0009A 1002
		Get Software Date	R	02 46 56 54 3A 3F 03	46 56 54 3A xx xx xx xx xx xx xx	FVT: ,date'		ex: FVT:20200218
		Get Model	R	02 4D 44 54 3A 3F 03	4D 44 54 3A xx xx xx xx xx xx xx	MDT: ,model'		ex: MDT:Legamaster ETX6520 e-Screen
	Panel	Get Panel ID	R	02 50 49 44 3A 3F 03	02 xx xx xx 03	Only second nibble of each byte		Example: if ID =16 xx xx xx = 016
		Get Panel information	R	02 50 4E 4C 3A 3F 03	50 4E 4C 3A xx xx xx xx xx xx xx xx	PNL: ,panel'		panel in ascii
	Time	Get Total Work Time	R	02 53 53 53 3A 3F 03	53 53 53 3Axx xx xx xx xx 3A xx xx 3A xx	SSS: ,hours': inute': ,seconds'		SSS:00101:44:07

## 10. SOLUCIÓN DE PROBLEMAS

PARA PREGUNTAS FRECUENTES, SOLUCIÓN DE PROBLEMAS Y CONSEJOS Y TRUCOS, POR FAVOR VISITE:

[www.faq.legamaster.com](http://www.faq.legamaster.com)

## 11. CUMPLIMIENTO

**FCC:**

FCC CFR Título 47 Parte 15 Subapartado B

**CB:**

IEC62368-1

**CE:**

EN55032

EN55035

EN61000-3-2

EN61000-3-3

EN62368

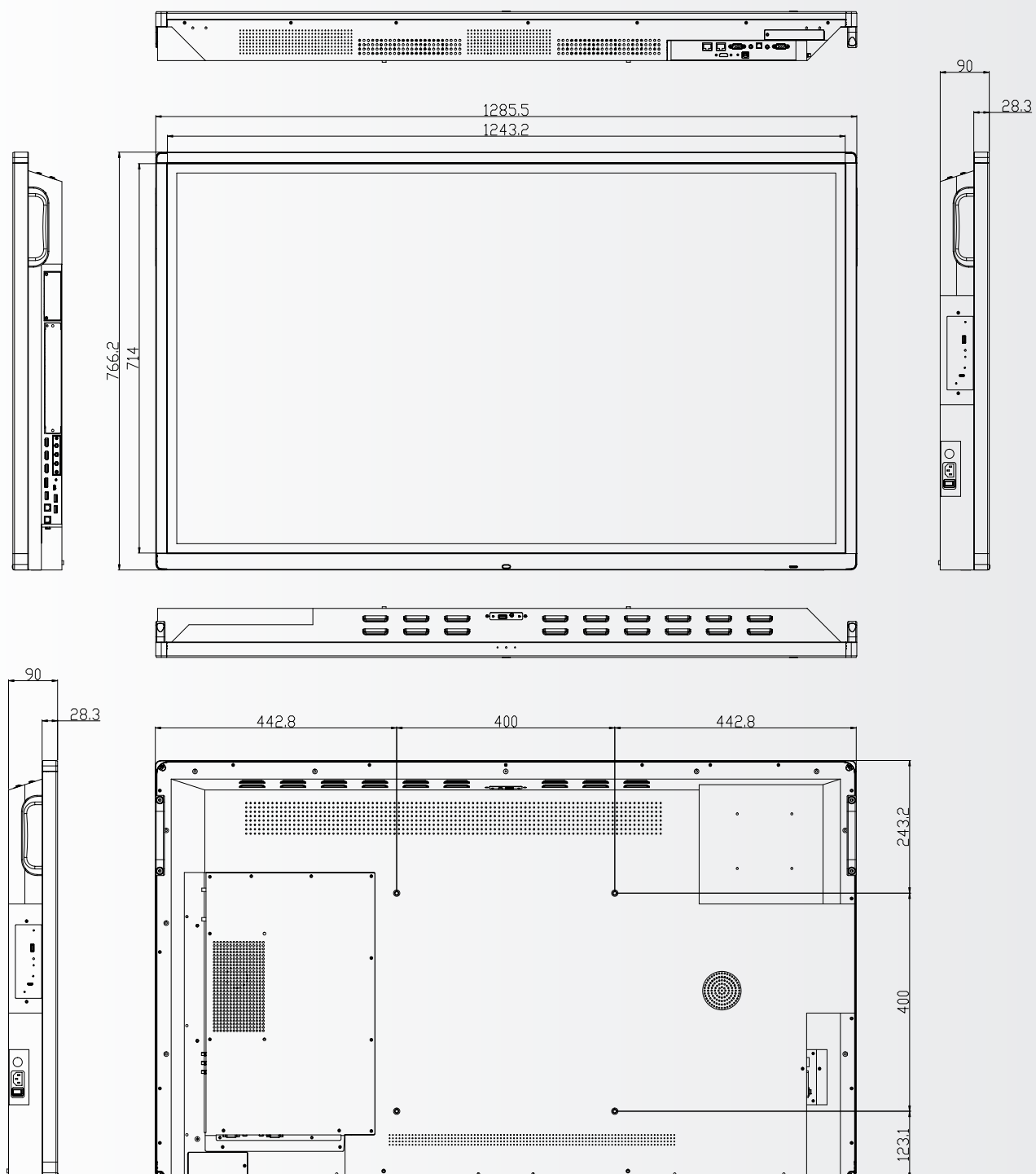


## 12. APÉNDICE

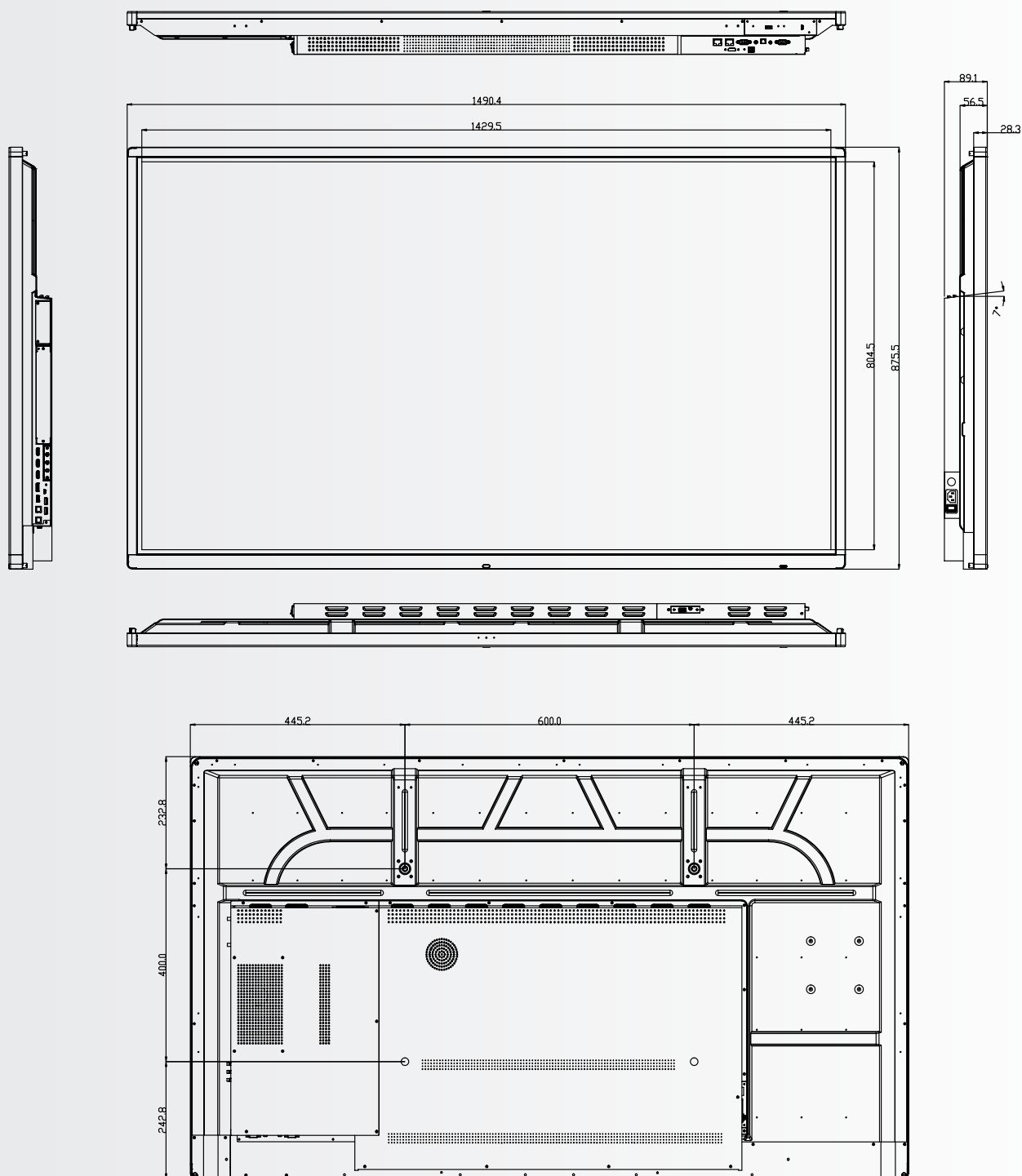
### 12.1. DIMENSIONES

La siguiente ilustración muestra las dimensiones generales de la pantalla:

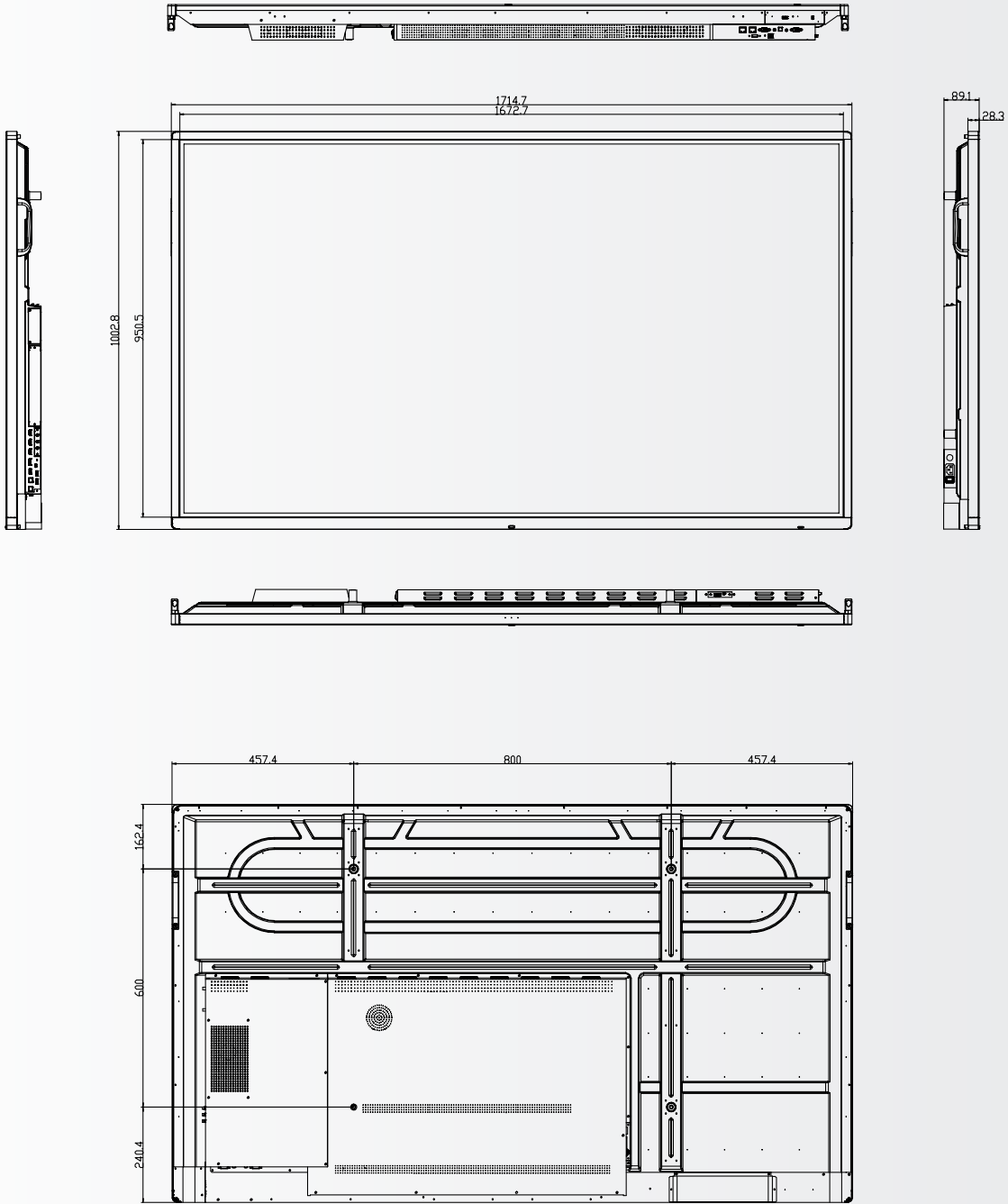
**ETX-5520**



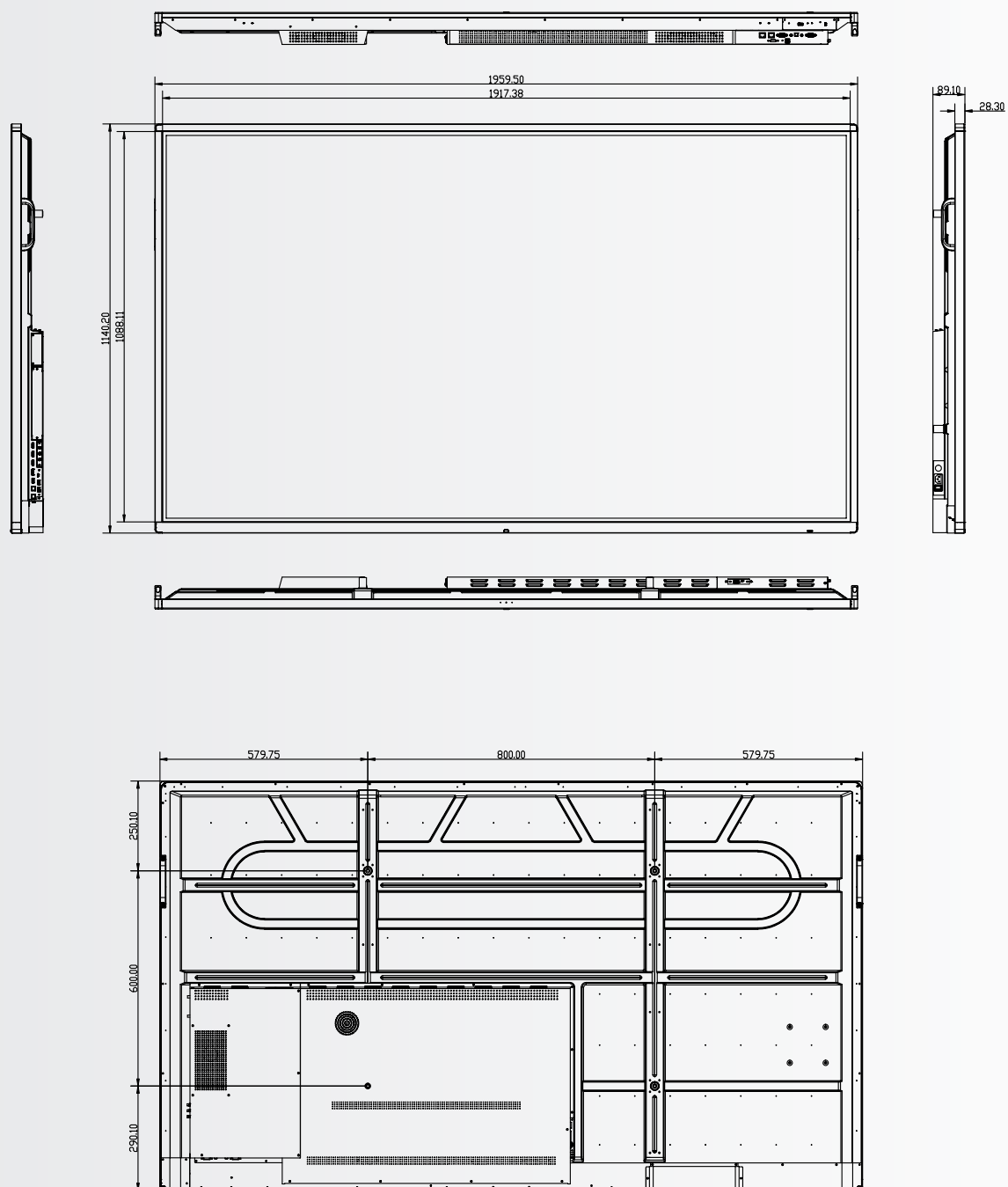
## ETX-6520



ETX-7520



## ETX-8620



## 13. ACCESORIOS

### 13.1. EASYFIX VIDEO CONFERENCING UNIT

Convierte instantáneamente la pantalla electrónica de ETX en una pantalla de videoconferencia completa.

#### 13.1.1 Especificaciones

- Resolución de la cámara: 1920x1080 / 1280x720 a 30 hz
- Píxeles: 2 millones
- Ángulo (diagonal): 85°.
- 4 micrófonos, distancia de captación de voz de hasta 8 metros
- Cancelación automática del eco
- Poder: DC 5V±0.2V, 60 Hz // 370 mA
- Sistemas operativos compatibles: Windows / Android

#### 13.1.2 Instalación

- Use los 2 tornillos y fije la unidad al bisel superior de la pantalla electrónica del ETX-XX20 (PLUS)
- Enchufe el cable USB en la ranura superior de USB (No. 20)
- Enchufe el cable de audio en el puerto de entrada de audio superior (No. 21)

#### 13.1.3 Operación

- La unidad es plug-and-play, abre cualquier aplicación en cualquier Android, OPS o cualquier PC conectado.

### 13.2. EASYFIX PROXIMITY SENSOR

Permitir que la pantalla electrónica de ETX cambie entre el sueño y la vigilia en función de la presencia en la habitación.

#### 13.2.1 Especificaciones

- Método de detección: Infrarrojo
- Ángulo de detección: 100°.
- Rango de detección: 5-7 m
- DC 5V±0.5V
- Conexión: USB-A

#### 13.2.2 Instalación

- Enchufe la unidad en el puerto USB-A situado en la parte inferior de la pantalla, o (sólo ETX-5520) en el lado izquierdo de la pantalla.
- Fije la unidad a la pantalla con los 2 tornillos suministrados

#### 13.1.3 Operación

La unidad es plug-and-play. La unidad se controla mediante los siguientes ajustes, que se encuentran en el menú de ajustes de la pantalla electrónica del ETX-XX20. Navegue al menú de ajustes. En la parte „sistema“ del menú de ajustes, pulse la tecla de encendido:

- Habilite la configuración de „activación de movimiento“ para permitir que el sensor de proximidad cambie la pantalla electrónica del ETX del modo de reposo al modo de trabajo
- Utilice la configuración de „detección de movimiento“ para permitir que la pantalla electrónica del ETX cambie por sí misma al modo de reposo cuando no se detecte ninguna presencia en el campo de visión del sensor de proximidad durante un cierto tiempo.

**Legamaster** 

We make communication visible



Legamaster International B.V.  
Postbus 111  
NL-7240 AC Lochem  
T +31 (0)573 71 30 00  
F +31 (0)573 71 30 01  
info@legamaster.com  
www.legamaster.com