

**Owner's Manual**  
**IPS LED MONITOR**  
**(LED MONITOR\*)**

\* Disclaimer: LG LED Monitor applies LCD screen with LED backlights.

Please read the safety information carefully  
before using the product.

27MU67

# TABLE OF CONTENTS

## 3 LICENSE

---

## 4 ASSEMBLING AND PREPARING

---

- 4 Product Composition
- 5 Product and Button Description
- 6 Moving and Lifting the Monitor
- 7 Installing the Monitor
  - 7 - Assembling the Stand
  - 8 - Installing on a Table
  - 8 - Adjusting the Stand Height
  - 9 - Adjusting the Angle
  - 10 - Tidying up Cables
  - 10 - Pivot Feature
  - 11 - Using the Kensington Lock
  - 12 - Installing the Wall Mount Plate
  - 12 - Installing on the Wall

## 14 USING THE MONITOR

---

- 14 Connecting to a PC
  - 14 - HDMI Connection
  - 15 - (Mini) DisplayPort Connection
- 15 Connecting AV Devices
  - 15 - HDMI Connection
- 16 Connecting Peripherals
  - 16 - Connecting Headphones

## 17 USER SETTINGS

---

- 17 Activating the Main Menu
- 18 User Settings
  - 18 - Menu Settings
  - 19 - Ratio
  - 20 - PBP
  - 21 - Picture
  - 24 - General
  - 25 - Reset

## 26 TROUBLESHOOTING

---

## 28 PRODUCT SPECIFICATION

---

- 29 Factory Support Mode (Preset Mode, PC)
  - 29 - HDMI
  - 29 - (Mini) DisplayPort
- 30 HDMI Timing (Video)
- 30 Power LED

## 31 PROPER POSTURE

---

- 31 Proper Posture for Using the Monitor

# LICENSE

Each model has different licenses. Visit [www.lg.com](http://www.lg.com) for more information on the license.



The terms HDMI and HDMI High-Definition Multimedia Interface, and the HDMI logo are trademarks or registered trademarks of HDMI Licensing LLC in the United States and other countries.

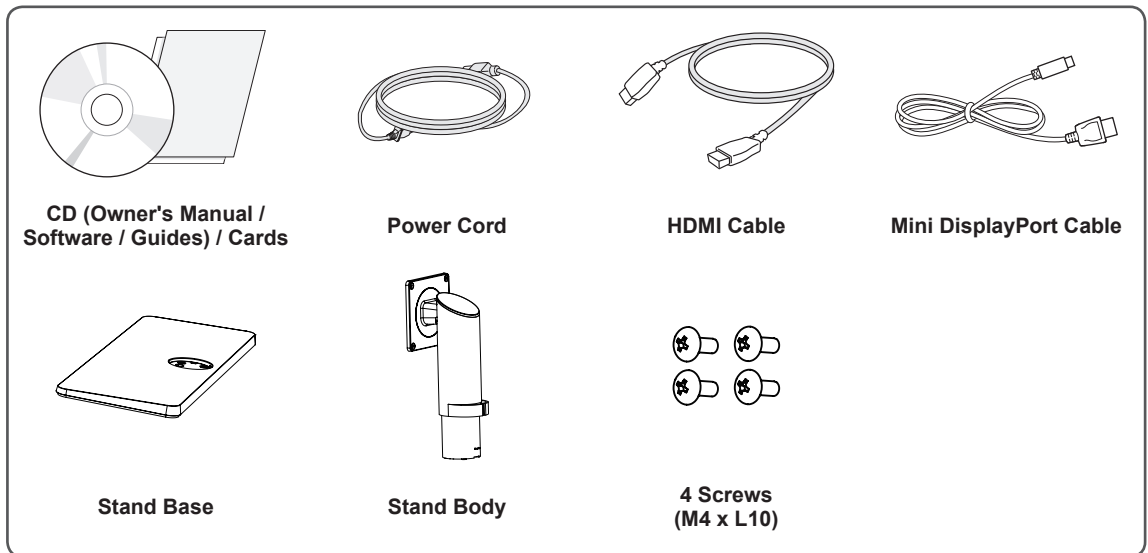


VESA, VESA logo, DisplayPort compliance logo and DisplayPort compliance logo for dual-mode source devices are all registered trademarks of the Video Electronics Standards Association.

# ASSEMBLING AND PREPARING

## Product Composition

Please check whether all the components are included in the box before using the product. If there are any missing components, contact the retailer where you purchased the product. Note that the product and related components may look different from those shown here.



### CAUTION

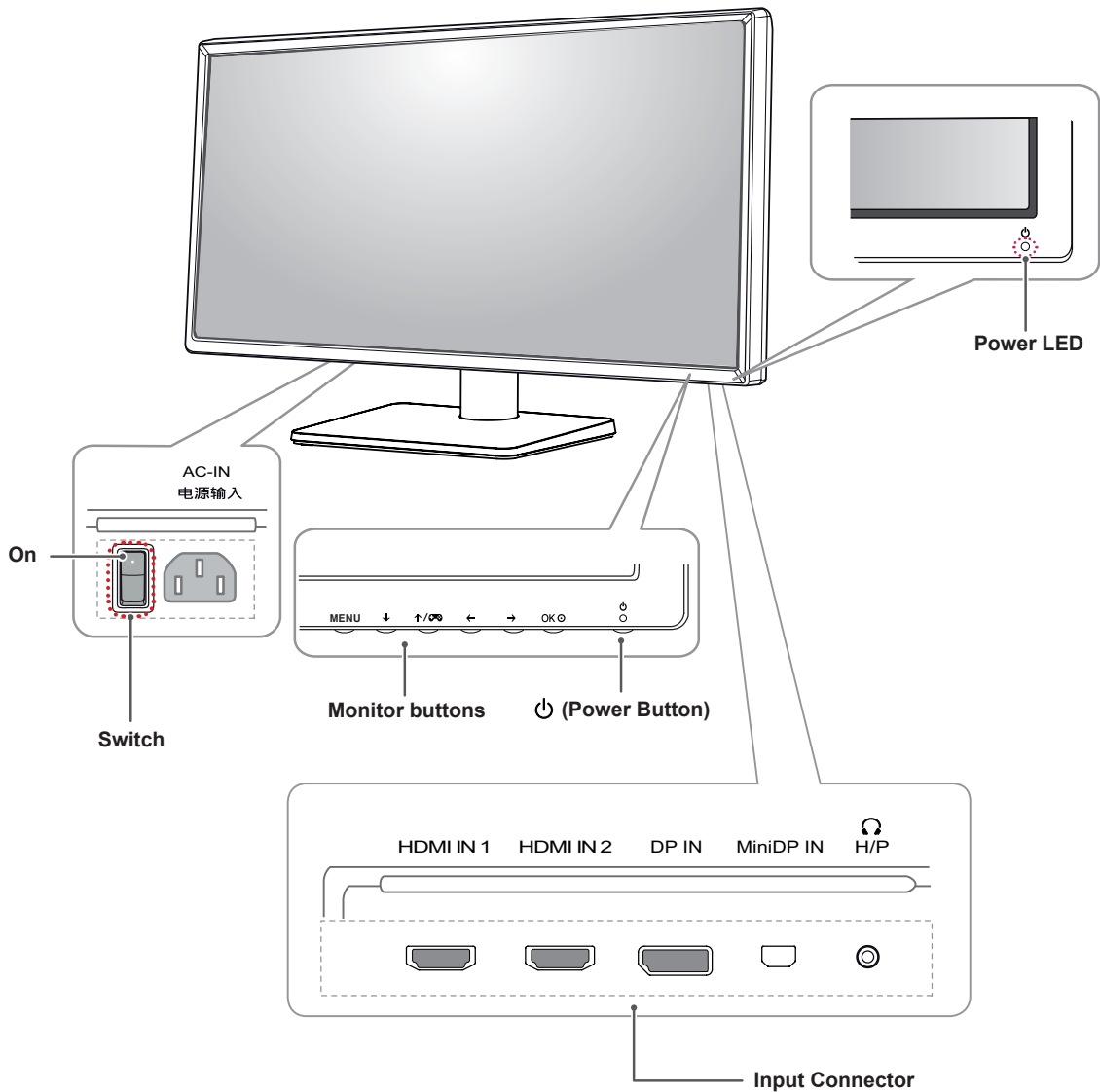
- Always use genuine LG components to ensure safety and product performance.
- The product warranty will not cover damage or injury caused by the use of unauthorized components.
- It is recommend that use the supplied components.
- If you use generic cables not certified by LG, the screen may not display or there may be image noise.



### NOTE

- The components may look different from those illustrated here.
- Without prior notice, all product information and specifications contained in this manual are subject to change to improve the performance of the product.
- To purchase optional accessories, visit an electronics store or an online shopping site, or contact the retailer from whom you purchased the product.
- The power cord provided may differ depending upon the region.

## Product and Button Description



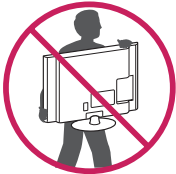
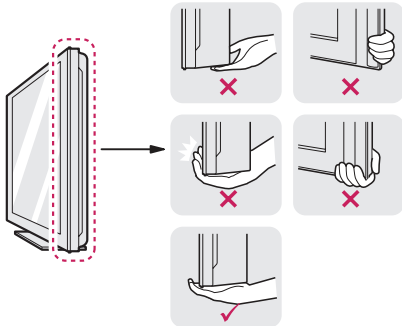
### NOTE

- Before turning on the monitor, please make sure that the switch on the rear side of product is On.
- All of the buttons are touch sensitive and can be operated simply by touching them on the bottom of the monitor with your finger.

## Moving and Lifting the Monitor

When moving or lifting the monitor, follow these instructions to prevent the monitor from being scratched or damaged and to ensure safe transportation, regardless of its shape or size.

- Place the monitor in the original box or packing material before attempting to move it.
- Before moving or lifting the monitor, disconnect the power cord and all other cables.
- Hold the bottom and side of the monitor frame firmly. Do not hold the panel itself.



- When holding the monitor, the screen should face toward you to prevent it from being scratched.
- When transporting the monitor, do not expose the monitor to shock or excessive vibration.
- When moving the monitor, keep it upright and never turn the monitor on its side or tilt it sideways.



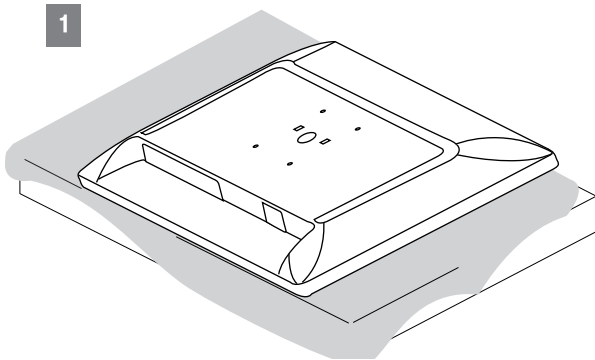
### CAUTION

- Avoid touching the monitor screen as much as possible.
  - This may result in damage to the screen or some of the pixels used to create images.



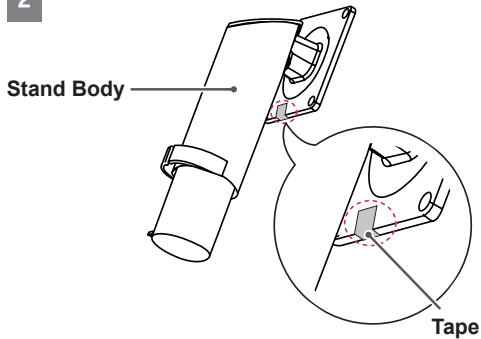
# Installing the Monitor

## Assembling the Stand



1

2



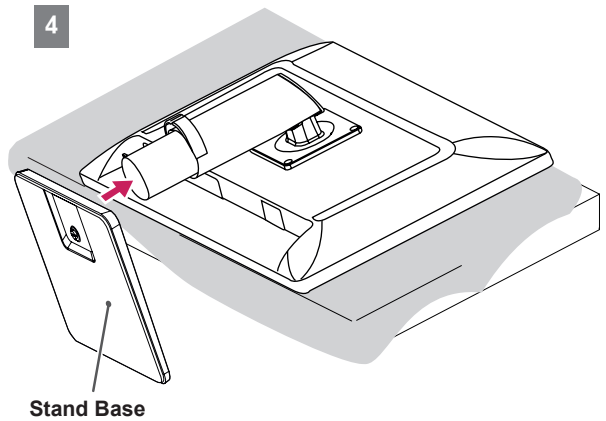
Stand Body

Tape



### CAUTION

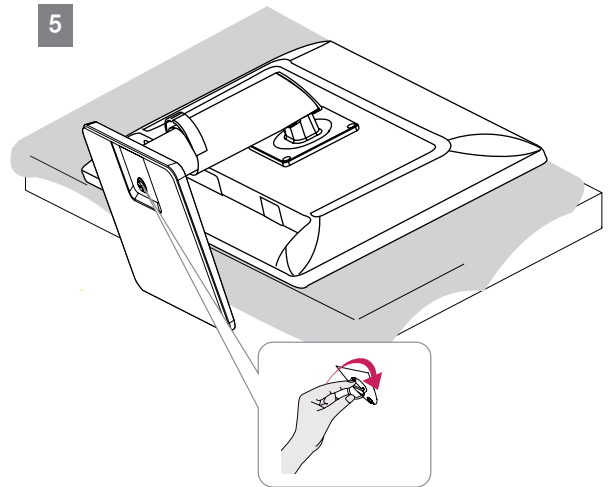
- Remove the tape attached to the stand body before assembling the stand.



4

Stand Base

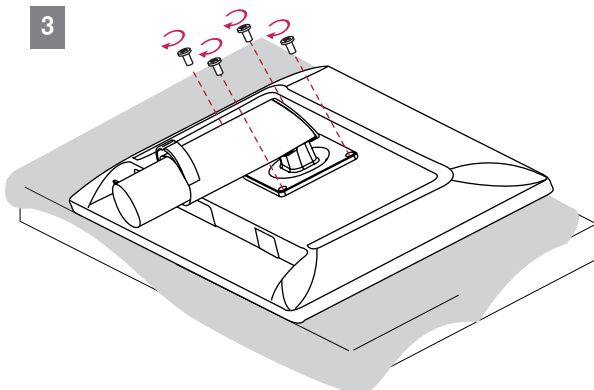
5



### CAUTION

- To protect the screen from scratches, cover the surface with a soft cloth.
- Illustrations in this document represent typical procedures, so they may look different from the actual product.
- Applying excessive force when tightening screws may cause damage to the monitor. Damage caused in this way will not be covered by the product warranty.
- Do not carry the monitor upside down by just holding the base. This may cause the monitor to fall off the stand and could result in personal injury.
- When lifting or moving the monitor, do not touch the monitor screen. The force applied to the monitor screen may cause damage to it.

3

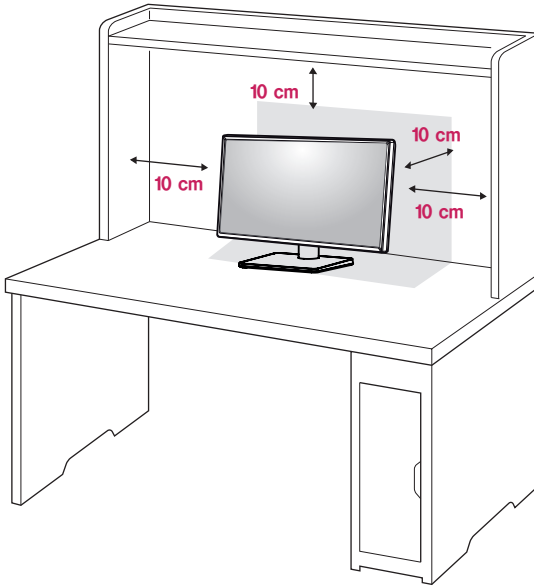


### NOTE

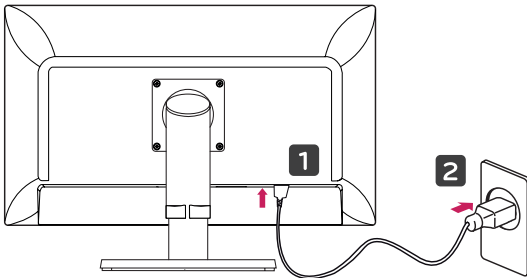
- You can disassemble the stand in the reverse order of the assembly.


## Installing on a Table

- 1 Lift the monitor and place it on the table in an upright position. Place the monitor at least 10 cm away from the wall to ensure sufficient ventilation.



- 2 Connect the power cord to the product before connecting it to the wall outlet.



- 3 Press the  (Power) button on the bottom of the monitor to turn it on.

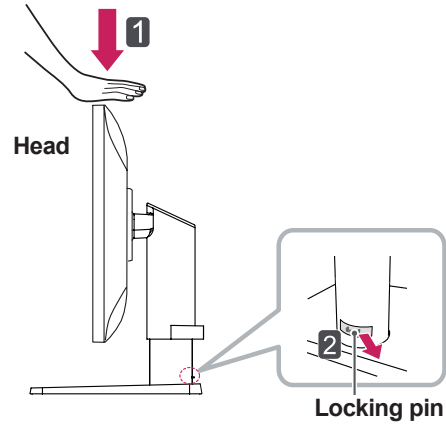


### CAUTION

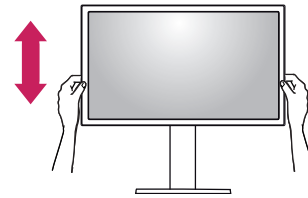
- Unplug the power cord before moving or installing the monitor. There is risk of electric shock.

## Adjusting the Stand Height

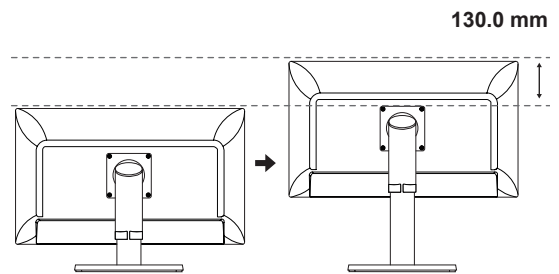
- 1 Place the monitor mounted on the stand base in an upright position.
- 2 Push the head downward and pull out the locking pin.



- 3 Handle the monitor with both hands for safety.



- 4 The height can be adjusted up to **130.0 mm**.



### CAUTION

- Once the pin is removed, it is not necessary to re-insert it to adjust the height.

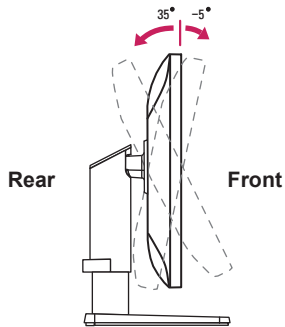


**! WARNING**

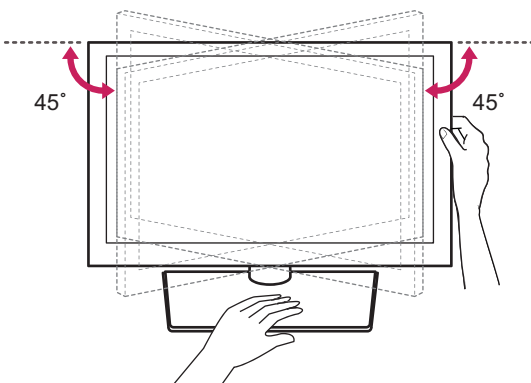
- Do not put your fingers or hand between the screen and the base (chassis) when adjusting the screen's height.

**Adjusting the Angle**

- 1 Place the monitor mounted on the stand base in an upright position.
- 2 Adjust the angle of the screen. The angle of the screen can be adjusted forward or backward from  $-5^{\circ}$  to  $35^{\circ}$  for a comfortable viewing experience.



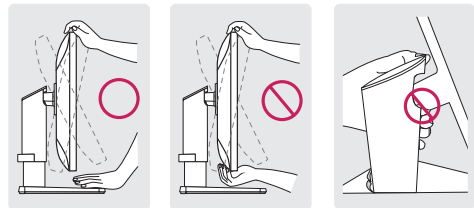
- 3 You can adjust the angle of the screen by  $45^{\circ}$  to the left or to the right.

**! CAUTION**

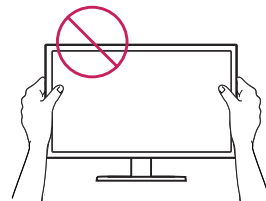
- When adjusting the angle horizontally, make sure there are no objects near the monitor. Also, make sure there is enough room between the monitor and the wall. Install the product on a flat surface to swivel smoothly.

**! WARNING**

- To avoid injury to the fingers when adjusting the screen, do not hold the lower part of the monitor's frame as illustrated below.

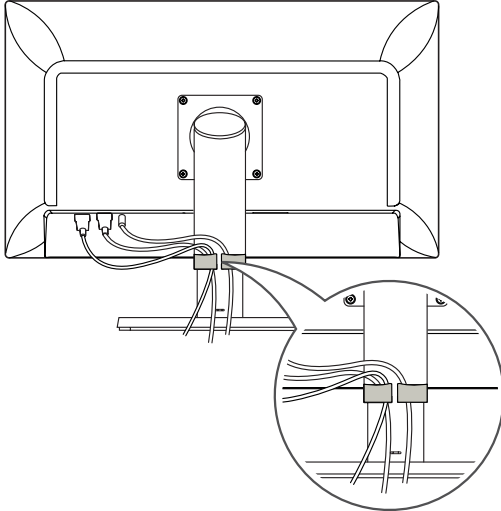


- Be careful not to touch or press the screen area when adjusting the angle of the monitor.



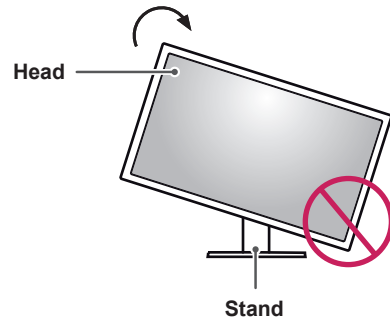
## Tidying up Cables

Arrange the cables using the cable holder as shown in the illustration.



## Pivot Feature

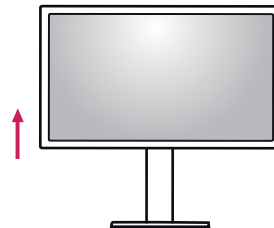
The pivot feature allows the monitor to rotate 90° clockwise.



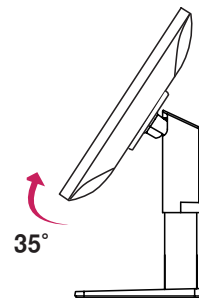
### ! WARNING

- To avoid scratching the stand base, make sure that when rotating the monitor using the pivot feature, the stand does not make contact with the monitor.

- 1 Raise the monitor to the maximum height.



- 2 Adjust the angle of the monitor in the direction of the arrow as shown in the figure.



- 3 Rotate the monitor clockwise as shown in the figure.



- 4 Complete the installation by rotating the monitor 90° as shown below.

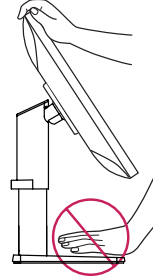


### NOTE

- Auto Pivot feature of the display is not supported.
- The screen can be rotated easily using the screen pivot shortcut key provided with your Windows operating system. Note that some Windows versions and some graphics card drivers may use different settings for the screen pivot key or may not support the pivot key at all.
- Supported Windows versions: Windows 7 and Windows 8.1
- Windows screen pivot shortcut keys
  - 0°: Ctrl + Alt + Up arrow key (↑)
  - 90°: Ctrl + Alt + Left arrow key (←)
  - 180°: Ctrl + Alt + Down arrow key (↓)
  - 270°: Ctrl + Alt + Right arrow key (→)

### WARNING

- Take care when rotating the monitor if the cable is connected.
- To avoid injury when rotating the display, do not place your fingers between the display and the stand base.

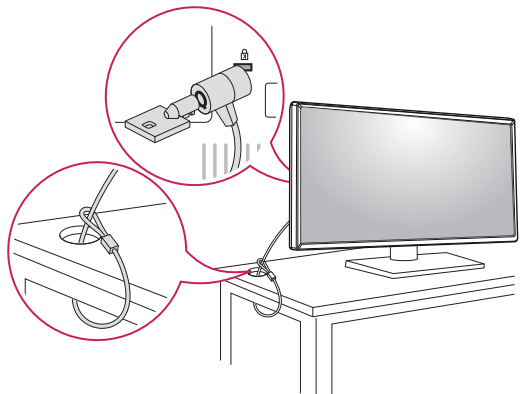


## Using the Kensington Lock

The Kensington security system connector is located at the back of the Monitor set.

For more information on installation and usage, refer to the Kensington lock owner's manual or visit the website at <http://www.kensington.com>.

Connect the monitor to a table using the Kensington security system cable.



### NOTE

- The Kensington security system is optional. You can obtain optional accessories from most electronics stores.

## Installing the Wall Mount Plate

This monitor meets the specifications for the wall mount plate or other compatible devices.

- 1 Place the screen face down. To protect the screen from scratches, cover the surface with a soft cloth.
- 2 Place the wall mount plate onto the monitor and align it with the screw holes.
- 3 Tighten the four screws to fix the plate to the monitor using a screwdriver.

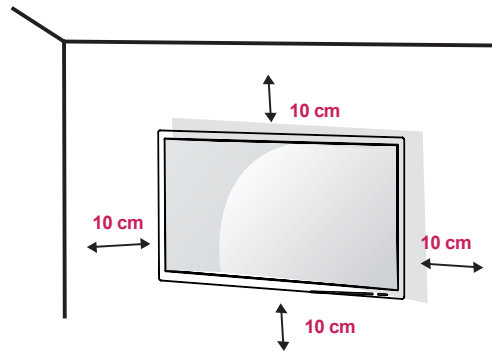


### NOTE

- The wall mount plate is sold separately.
- For more information on installation, refer to the wall mount plate's installation guide.
- Be careful not to apply too much force while mounting the wall mount plate as it may cause damage to the screen.

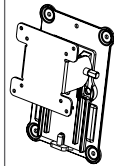
## Installing on the Wall

Install the monitor at least 10 cm away from the wall and leave about 10 cm of space at each side of the monitor to ensure sufficient ventilation. Detailed installation instructions can be obtained from your local retail store. Alternatively, please refer to the manual for how to install and set up a tilting wall mounting bracket.

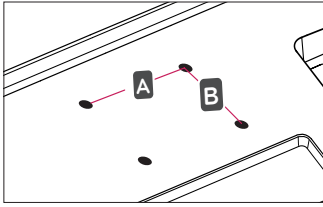


To install the monitor to a wall, attach a wall mounting bracket (optional) to the back of the monitor. Make sure that the wall mounting bracket is securely fixed to the monitor and to the wall.

- 1 If you use screws longer than the standard length, it may damage the inside of the product.
- 2 A non-VESA standard screw may damage the product and cause the monitor to fall. LG Electronics is not liable for any accidents relating to the use of non-standard screws.

<b>Wall Mount (A x B)</b>	100 x 100
<b>Stand Screw</b>	M4 x L10
<b>Required Screws</b>	4
<b>Wall Mount Plate (Optional)</b>	RW120 

- Wall Mount (A x B)

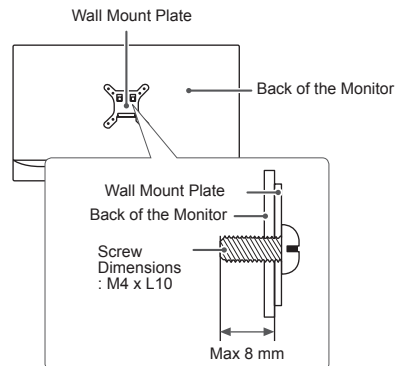


### NOTE

- Use the screws specified by VESA standards.
- The wall mount kit includes the installation guide and all necessary parts.
- The wall mounting bracket is optional. You can obtain optional accessories from your local dealer.
- The length of the screw may differ for each wall mounting bracket. Be sure to use the proper length.
- For more information, please refer to the user manual for the wall mounting bracket.

### CAUTION

- Unplug the power cord before moving or installing the monitor to avoid electric shock.
- Installing the monitor on the ceiling or on a slanted wall may result in the monitor falling off, which could lead to injury. Use an authorized LG wall mount and contact the local dealer or qualified personnel.
- Applying excessive force when tightening screws may cause damage to the monitor. Damage caused in this way will not be covered by the product warranty.
- Use the wall mounting bracket and screws that conform to VESA standards. Damage caused by the use or misuse of inappropriate components will not be covered by the product warranty.
- When measured from the back of the monitor, the length of each installed screw must be 8 mm or less.



## USING THE MONITOR

Go to Menu → Quick Settings → Input, and then select the input option.



### CAUTION

- Do not press the screen for a prolonged time. This may cause image distortion.
- Do not display a still image on the screen for a prolonged time. This may cause image retention. Use a screensaver if possible.



### NOTE

- When connecting the power cord to the outlet, use a grounded (3-hole) power strip or a grounded power outlet.
- The monitor may flicker when turned on in an area where the temperature is low. This is normal.
- Sometimes red, green, or blue spots may appear on the screen. This is normal.

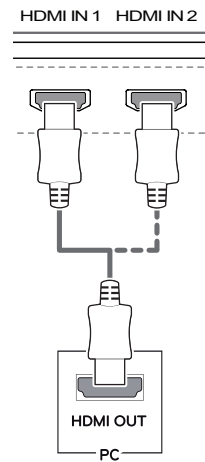
## Connecting to a PC

- This monitor supports the \*Plug and Play feature.

\* Plug and Play: A feature that allows you to add a device to your computer without having to reconfigure anything or install any manual drivers.

### HDMI Connection

Transmits digital video and audio signals from your PC to the monitor. Connect your PC to the monitor using the HDMI cable as shown in the illustration below.



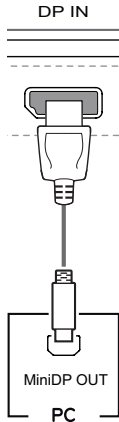
### CAUTION

- Make sure to use the supplied HDMI cable of the product. Otherwise, this may cause the device to malfunction.
- Connecting your PC to the monitor using the HDMI cable may cause device compatibility issues.
- Using a DVI to HDMI / DP (DisplayPort) to HDMI cable may cause compatibility issues.
- Use a certified cable with the HDMI logo attached. If you do not use a certified HDMI cable, the screen may not display or a connection error may occur.
- Recommended HDMI cable types
  - High-Speed HDMI<sup>®</sup>™ Cable
  - High-Speed HDMI<sup>®</sup>™ Cable with Ethernet

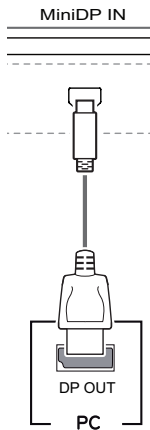
## (Mini) DisplayPort Connection

Transmits digital video and audio signals from your PC to the monitor. Connect the monitor to your PC using the displayport cable as shown in the illustration below:

DisplayPort



Mini DisplayPort



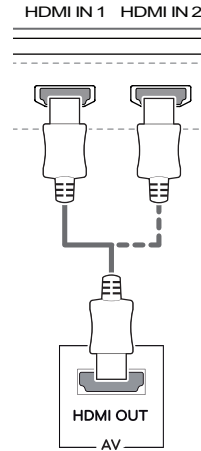
### NOTE

- There may be no video or audio output depending on the DP (DisplayPort) version of the PC.
- Make sure to use the supplied Mini DisplayPort cable of the product. Otherwise, this may cause the device to malfunction.
- If you use generic cables not certified by LG, the screen may not display or there may be image noises.

## Connecting AV Devices

### HDMI Connection

HDMI transmits digital video and audio signals from your AV device to the monitor. Connect your AV device to the monitor using the HDMI cable as shown in the illustration below.



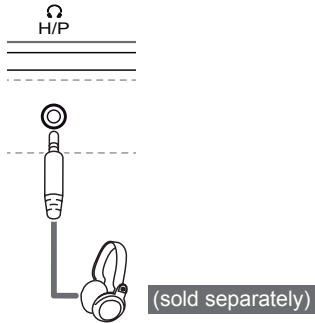
### NOTE

- Make sure to use the supplied HDMI cable of the product. Otherwise, this may cause the device to malfunction.
- Using a DVI to HDMI / DP (DisplayPort) to HDMI cable may cause compatibility issues.
- Use a certified cable with the HDMI logo attached. If you do not use a certified HDMI cable, the screen may not display or a connection error may occur.
- Recommended HDMI cable types
  - High-Speed HDMI<sup>®</sup>/TM Cable
  - High-Speed HDMI<sup>®</sup>/TM Cable with Ethernet

## Connecting Peripherals

### Connecting Headphones

Connect peripherals to the monitor via the headphones port. Connect as illustrated.

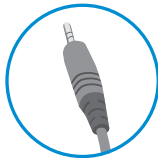


#### NOTE

- Peripheral devices are sold separately.
- If you use angled earphones, it may cause a problem with connecting another external device to the monitor. Use straight earphones.



**Angled**



**Straight**

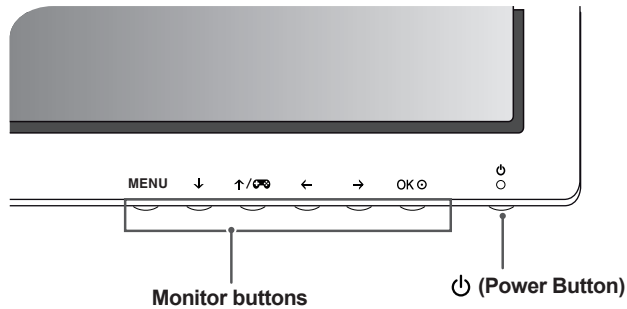
- Depending on the audio settings of the PC and external device, headphones and speaker functions may be limited.



# USER SETTINGS

## Activating the Main Menu

- 1 Press the **Menu (MENU)** button.
- 2 Use the ↓, ↑/🎮, ←, and → buttons to adjust the options.
- 3 Press **Menu (MENU)** or the ← button one more time to exit the main menu.




Button	Description	
Menu (MENU)	If the menu is inactive	Enables the main menu.
	If the menu is active	Exits the main menu.
↓	If the menu is inactive	Enables/disables Mute.
	If the menu is active	Down arrow key
↑/🎮	If the menu is inactive	You can change Picture Mode to a gaming mode.
	If the menu is active	Up arrow key
←	If the menu is inactive	Decreases the volume.
	If the menu is active	Left arrow key
→	If the menu is inactive	Increases the volume.
	If the menu is active	Right arrow key
OK	If the menu is inactive	Displays the current input signals. (only when there is input signal)
	If the menu is active	Confirms the selection.
⏻ (Power Button)	Powers on or off.	
	Power LED	When the monitor is in operating mode, the power LED will turn white and then dims. When the monitor is in sleep mode, the power LED will blink white.

### ! NOTE

- All of the buttons are touch sensitive and can be operated simply by touching them on the bottom of the monitor with your finger.

# User Settings

## Menu Settings

- 1 To view the **OSD menu**, press the **Menu (MENU) button** at the bottom of the monitor.
- 2 Use the **↓**, **↑/☞**, **←**, and **→** buttons to set options.
- 3 Use the **←** or **OK**  button to return to the previous menu or to adjust other options.
- 4 Use **Menu (MENU)** or the **←** button to exit the OSD menu.
  - When you enter the menu, instructions on how to use the button will appear in the bottom right corner of the screen.



Quick Settings



PBP



Picture




General



Reset

Each option is described below.

Menu		Description
Quick Settings	Brightness	Adjusts the color contrast and brightness of the screen.
	Contrast	
	Volume	Adjusts the volume level.
		 <b>NOTE</b> <ul style="list-style-type: none"> <li>• You can adjust Mute / Unmute by using the <b>↓</b> button in the Volume menu.</li> </ul>
	Input	Selects the input mode.
	Ratio	Adjusts the aspect ratio of the screen.
PBP		Displays the screens of two input modes on one monitor.
Picture	Picture Mode	Optimizes the screen for picture mode.
	Picture Adjust	Adjusts SUPER RESOLUTION+, Sharpness, Black Level, HDMI ULTRA HD Deep Color, and DFC of the screen.
	Game Adjust	Adjusts Response Time, FreeSync, and Black Stabilizer.
	Color Adjust	Adjusts Gamma, Color Temperature, Red, Green, Blue, and Six Color.
General		Adjusts Language, SMART ENERGY SAVING, Power LED, Automatic Standby, DisplayPort 1.2, and OSD Lock.
Reset		Restores the default settings.
◀	Exit	Exits the OSD menu.

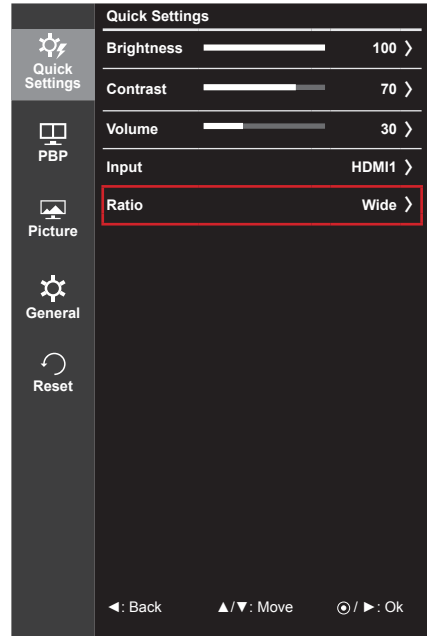


### CAUTION

- Your monitor's OSD (On Screen Display) may differ slightly from that shown in this manual.

## Ratio

- 1 To view the **OSD menu**, press the **Menu (MENU) button** at the bottom of the monitor.
- 2 Go to **Quick Settings > Ratio** using the monitor buttons.
- 3 Configure the options following the instructions that appear in the bottom right corner.
- 4 Set the desired option and press the **OK** button.
- 5 Use **Menu (MENU)** or the **←** button to exit the OSD menu.



Each option is described below.

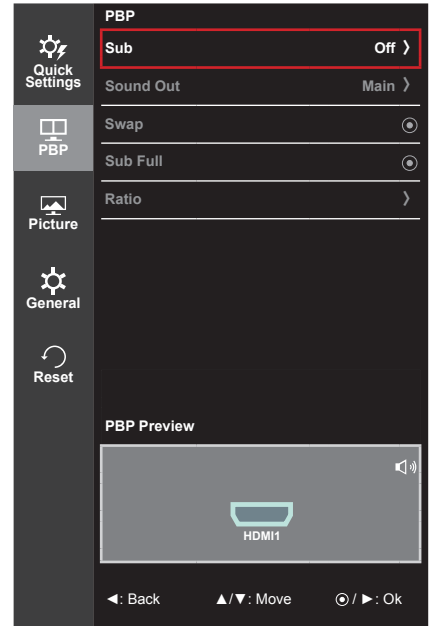
Menu > Quick Settings > Ratio	Description
<b>Wide</b>	Displays the video in widescreen, regardless of the video signal input.
<b>Original</b>	Displays video according to the aspect ratio of the video signal input.
<b>1:1</b>	The aspect ratio is not adjusted from the original.

**NOTE**

- The display may look the same for Wide, Original, and 1:1 options at the recommended resolution.

## PBP

- 1 To view the **OSD menu**, press the **Menu (MENU) button** at the bottom of the monitor.
- 2 Go to **PBP** using the monitor buttons.
- 3 Configure the options following the instructions that appear in the bottom right corner.
- 4 Set the desired option and press the **OK** button.
- 5 Use **Menu (MENU)** or the **←** button to exit the OSD menu.



Each option is described below.

Menu > PBP	Description				
<b>Sub</b>	Displays the screens of two input modes on one monitor.				
	<b>PBP Connection</b>		<b>Sub Screen (Right)</b>		
			<b>HDMI 1</b>	<b>HDMI 2</b>	<b>(Mini) DisplayPort</b>
	<b>Main Screen (Left)</b>	<b>HDMI 1</b>	-	X	O
	<b>HDMI 2</b>	X	-	O	
	<b>(Mini) DisplayPort</b>	O	O	-	
<b>Sound Out</b>	Changes the audio output in PBP mode.				
<b>Swap</b>	Toggles between the main screen and sub screen in PBP mode.				
<b>Sub Full</b>	Converts the sub screen in PBP mode to wide screen.				
<b>Ratio</b>	Adjusts the aspect ratio of the main screen or sub screen.				
	<b>Main</b>	<b>Wide</b>	Displays the video to fit the PBP screen, regardless of the video signal input.		
		<b>Original</b>	Displays the video in the aspect ratio of the video signal input on the PBP screen.		
	<b>Sub</b>	<b>Wide</b>	Displays the video to fit the PBP screen, regardless of the video signal input.		
<b>Original</b>		Displays the video in the aspect ratio of the video signal input on the PBP screen.			

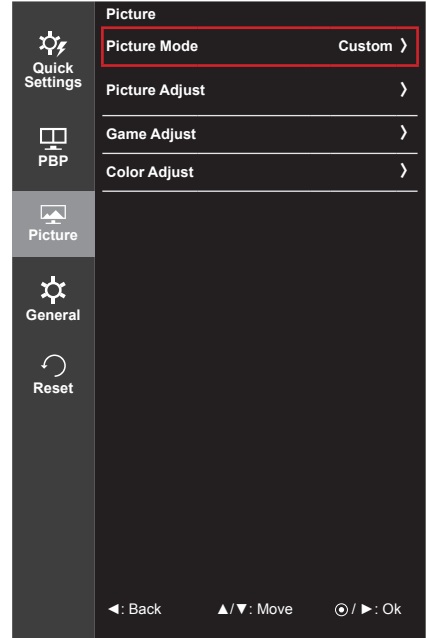


### NOTE

- When the Sub mode is Off, Sound Out, Swap, Sub Full, and Ratio menus become disabled. The Main/Sub options for Ratio become disabled if there is no signal.
- The optimal resolution for PBP mode is set automatically when PBP mode is set.

## Picture


- 1 To view the **OSD menu**, press the **Menu (MENU) button** at the bottom of the monitor.
- 2 Go to **Picture** using the monitor buttons.
- 3 Configure the options following the instructions that appear in the bottom right corner.
- 4 Set the desired option and press the **OK** button.
- 5 Use **Menu (MENU)** or the **←** button to exit the OSD menu.



Each option is described below.

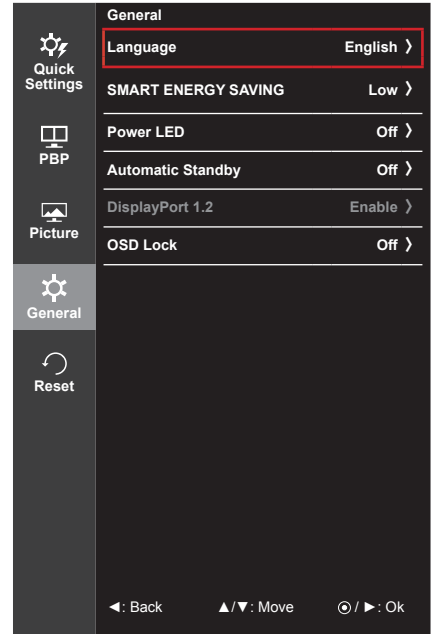
Menu > Picture	Description	
Picture Mode	Custom	Allows the user to adjust each element. The color mode of the main menu can be adjusted.
	Reader	Optimizes the screen for viewing documents. You can brighten the screen in the OSD menu.
	Photo	Optimizes the screen for photos.
	Cinema	Optimizes the screen for video.
	sRGB	A standard RGB color space for the monitor and printer.
	FPS Game 1	This mode is optimized for FPS games.
	FPS Game 2	It has a higher Black Stabilizer value than FPS Game 1. It is suitable for very dark FPS games.
	RTS Game	This mode is optimized for RTS Game.
	Custom (Game)	In this mode, users can customize various elements including game-related options.
<p><b>NOTE</b></p> <ul style="list-style-type: none"> <li>If the picture mode is changed in the DP (DisplayPort) input, the screen may flicker or the resolution of your PC screen may be affected.</li> </ul>		

Menu > Picture	Description																			
Picture Adjust	<b>SUPER RESOLUTION+</b>	<p>With the picture improvement technology that minimizes the degradation of the picture quality due to enlargement (e.g. blurred focus or unsharpened edges), the resolution is not compromised, even when the images are enlarged, which guarantees a clear image.</p> <p><b>NOTE</b></p> <ul style="list-style-type: none"> <li>Because this is a function to increase the sharpness of low resolution pictures, it is not recommended to use the function for normal text or for desktop icons. Doing so may result in unnecessarily high sharpness.</li> </ul>																		
	<b>Sharpness</b>	Adjusts the sharpness of the screen.																		
	<b>Black Level</b>	<p>Sets the offset level (for HDMI only).</p> <ul style="list-style-type: none"> <li><b>Offset</b> as a reference for a video signal, this is the darkest color the monitor can display.</li> </ul>																		
	<b>High</b>	The picture of the screen gets brighter.																		
	<b>Low</b>	The picture of the screen gets darker.																		
	<b>HDMI ULTRA HD Deep Color</b>	Provides sharper images when connected to a device supporting ULTRA HD Deep Color.																		
	<b>4K @ 60 Hz Support Format<sup>1)</sup></b>																			
	<b>Resolution</b>	<table border="1" style="width: 100%;"> <thead> <tr> <th data-bbox="683 743 879 813" rowspan="2" style="text-align: center;">Frame rate (Hz)</th> <th colspan="2" data-bbox="879 743 1271 774" style="text-align: center;">Color Depth / Chroma Sampling</th> </tr> <tr> <th data-bbox="879 780 1075 813" style="text-align: center;">8 bit</th> <th data-bbox="1075 780 1271 813" style="text-align: center;">10 bit</th> </tr> </thead> <tbody> <tr> <td data-bbox="485 819 683 944" rowspan="4" style="text-align: center; vertical-align: middle;">3840 x 2160</td> <td data-bbox="683 819 879 844" style="text-align: center;">59.94</td> <td colspan="2" data-bbox="879 819 1271 844" style="text-align: center;">YCbCr 4:2:0</td> </tr> <tr> <td data-bbox="683 850 879 875" style="text-align: center;">60.00</td> <td colspan="2" data-bbox="879 850 1271 875" style="text-align: center;">YCbCr 4:2:2</td> </tr> <tr> <td data-bbox="683 880 879 906" style="text-align: center;"></td> <td data-bbox="879 880 1075 906" style="text-align: center;">YCbCr 4:4:4</td> <td data-bbox="1075 880 1271 906" style="text-align: center;">-</td> </tr> <tr> <td data-bbox="683 911 879 937" style="text-align: center;"></td> <td data-bbox="879 911 1075 937" style="text-align: center;">RGB 4:4:4</td> <td data-bbox="1075 911 1271 937" style="text-align: center;">-</td> </tr> </tbody> </table>	Frame rate (Hz)	Color Depth / Chroma Sampling		8 bit	10 bit	3840 x 2160	59.94	YCbCr 4:2:0		60.00	YCbCr 4:2:2			YCbCr 4:4:4	-		RGB 4:4:4	-
Frame rate (Hz)	Color Depth / Chroma Sampling																			
	8 bit	10 bit																		
3840 x 2160	59.94	YCbCr 4:2:0																		
	60.00	YCbCr 4:2:2																		
		YCbCr 4:4:4	-																	
		RGB 4:4:4	-																	
	1) Supported when HDMI ULTRA HD Deep Color is set to On.																			
	<p><b>NOTE</b></p> <ul style="list-style-type: none"> <li>If the connected device does not support ULTRA HD Deep Color, the feature may not work properly.</li> <li>If a problem occurs, set the HDMI ULTRA HD Deep Color option to Off.</li> </ul>																			
	<b>DFC</b>	Adjusts the brightness automatically according to the screen.																		

Menu > Picture	Description		
Game Adjust	Response Time	Sets a response time for displayed pictures based on the speed of the screen. For a normal environment, it is recommended that you use Middle. For a fast-moving picture, it is recommended that you use high. Setting to High may cause image sticking.	
		<b>High</b>	Sets the response time to High.
		<b>Middle</b>	Sets the response time to Middle.
		<b>Low</b>	Sets the response time to Low.
		<b>Off</b>	Does not use the response time improvement feature.
	FreeSync	Provides seamless and natural images by synchronizing the vertical frequency of the input signal with that of the output signal.	
		<div style="border: 1px solid black; padding: 5px;"> <p> <b>NOTE</b></p> <ul style="list-style-type: none"> <li>To use the FreeSync feature, a graphic card that supports FreeSync is necessary.</li> <li>Supported Interface: (Mini) DisplayPort</li> <li>For more information, refer to AMD website at <a href="http://www.amd.com/FreeSync">http://www.amd.com/FreeSync</a></li> </ul> </div>	
		<b>On</b>	FreeSync function on.
	<b>Off</b>	FreeSync function off.	
	Black Stabilizer	You can control the black contrast to have better visibility in dark scenes. Increasing the Black Stabilizer value brightens the low gray level area on the screen. (You can easily distinguish objects on dark game screens.) Reducing the Black Stabilizer value darkens the low gray level area and increases the dynamic contrast on the screen.	
Color Adjust	Gamma	Gamma settings: When using 2.0, 2.2, and 2.4 monitor settings, lower gamma settings mean a brighter image is displayed and vice versa.	
	Color Temp	<b>Manual</b>	Adjusts the color temperature in 500K increments. (Note that 9300K is supported instead of 9500K.)
		<b>Custom</b>	The user can adjust it to red, green, or blue by customization.
	Red	You can customize the picture color using Red, Green, and Blue colors.	
	Green		
	Blue		
	Six Color	Meets the user requirements for colors by adjusting the hue and saturation of the six colors (red, green, blue, cyan, magenta, and yellow) and then saving the settings.	
		<b>Hue</b>	Adjusts the tone of the screen colors.
<b>Saturation</b>		Adjusts the saturation of the screen colors. The lower the value, the less saturated and brighter the colors become. The higher the value, the more saturated and darker the colors become.	
Reset	Returns color to the default settings.		

## General

- 1 To view the **OSD menu**, press the **Menu (MENU) button** at the bottom of the monitor.
- 2 Go to **General** using the monitor buttons.
- 3 Configure the options following the instructions that appear in the bottom right corner.
- 4 Set the desired option and press the **OK** button.
- 5 Use **Menu (MENU)** or the **←** button to exit the OSD menu.



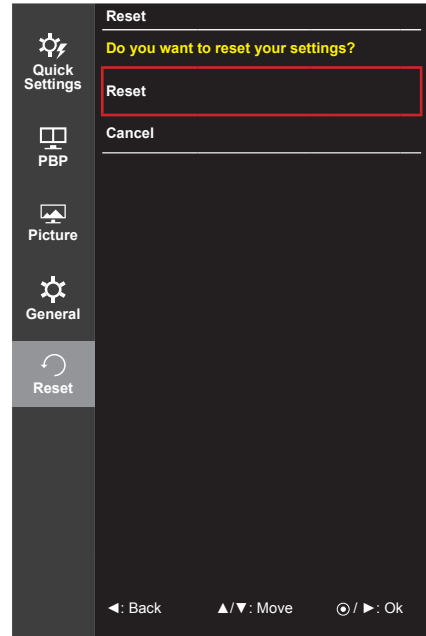
Each option is described below.

Menu > General	Description	
<b>Language</b>	Sets the menu screen to the desired language.	
<b>SMART ENERGY SAVING</b>	<b>High</b>	Saves energy using the high-efficiency SMART ENERGY SAVING feature.
	<b>Low</b>	Saves energy using the low-efficiency SMART ENERGY SAVING feature.
	<b>Off</b>	Disables the SMART ENERGY SAVING feature.
<b>Power LED</b>	Turns the power LED on the front of the monitor on or off.	
	<b>On</b>	The power LED turns on automatically.
	<b>Off</b>	The power LED turns off.
<b>Automatic Standby</b>	Feature that automatically turns off the monitor when there is no movement on the screen for a period of time. You can set a timer for the auto-off function. (Off, 4 H, 6 H, and 8 H)	
<b>DisplayPort 1.2</b>	Enables or disables DisplayPort 1.2.	
	<div style="border: 1px solid gray; padding: 10px;"> <p><b>NOTE</b></p> <ul style="list-style-type: none"> <li>• Be sure to configure this option according to the DisplayPort version supported by your graphics card. Set this option to Disable if your graphics card does not support DisplayPort 1.2.</li> </ul> </div>	
<b>OSD Lock</b>	Prevents incorrect key input.	
	<b>On</b>	Disables key input
	<b>Off</b>	Enables key input
<div style="border: 1px solid gray; padding: 10px;"> <p><b>NOTE</b></p> <ul style="list-style-type: none"> <li>• All features are disabled except Brightness, Contrast, Volume, Input in Quick Settings, OSD Lock in General, and the Exit button.</li> </ul> </div>		



## Reset

- 1 To view the **OSD menu**, press the **Menu (MENU) button** at the bottom of the monitor.
- 2 Go to **Reset** using the monitor buttons.
- 3 Configure the options following the instructions that appear in the bottom right corner.
- 4 Set the desired option and press the **OK** button.
- 5 Use **Menu (MENU)** or the **←** button to exit the OSD menu.



Each option is described below.

Menu > Reset	Description
<b>Do you want to reset your settings?</b>	
<b>Reset</b>	Restores the default settings.
<b>Cancel</b>	Cancel the reset.

# TROUBLESHOOTING

Nothing is displayed on the screen.	
Is the monitor's power cord plugged in?	<ul style="list-style-type: none"> <li>• Check if the power cord is correctly plugged into the power outlet.</li> </ul>
Is the power LED on?	<ul style="list-style-type: none"> <li>• Check the power cable connection and press the power button.</li> </ul>
Is the power on and the power LED displaying white?	<ul style="list-style-type: none"> <li>• Check that the connected input is enabled (Menu &gt; Quick Settings &gt; Input).</li> </ul>
Is the power LED blinking?	<ul style="list-style-type: none"> <li>• If the monitor is in sleep mode, move the mouse, or press any key on the keyboard, to switch the display on.</li> <li>• Check if the computer is turned on.</li> </ul>
Is the OUT OF RANGE message being displayed?	<ul style="list-style-type: none"> <li>• This occurs when signals transferred from the PC (graphics card) are out of the horizontal or vertical frequency range of the monitor. Please see the Product Specification section of this manual to set the appropriate frequency.</li> </ul>
Is the No Signal message being displayed?	<ul style="list-style-type: none"> <li>• This is displayed when the signal cable between the PC and the monitor is missing or disconnected. Check the cable and reconnect it.</li> </ul>

The OSD Lock message is being displayed.	
Are some functions not available when you press the Menu button?	<ul style="list-style-type: none"> <li>• The OSD is locked. Go to Menu &gt; General and set OSD Lock to Off.</li> </ul>

The screen retains an image.	
Does image sticking occur even when the monitor is turned off?	<ul style="list-style-type: none"> <li>• Displaying a still image for a prolonged time may cause damage to the screen, resulting in the retention of the image.</li> <li>• To extend the lifetime of the monitor, use a screensaver.</li> </ul>

Screen display is unstable and shaky / Images displayed on the monitor leave shadow trails.	
Did you select the appropriate resolution?	<ul style="list-style-type: none"> <li>• If the selected resolution is HDMI 1080i 60/50 Hz (interlaced), the screen may be flickering. Change the resolution to 1080P or the recommended resolution.</li> </ul>



## NOTE

- **Vertical Frequency** In order to display an image, the screen must be refreshed dozens of times per second, like a fluorescent lamp. The number of times the screen is refreshed per second is called vertical frequency, or refresh rate, and is represented by Hz.
- **Horizontal Frequency** The time it takes to display one horizontal line is called the horizontal cycle. If 1 is divided by the horizontal interval, the result is the number of horizontal lines displayed per second. This is called horizontal frequency and is represented by kHz.

**NOTE**

- Check if the graphics card's resolution or frequency is within the range allowed by the monitor and set it to the recommended (optimal) resolution in **Control Panel > Display > Settings**.
- Not setting the graphics card to the recommended (optimal) resolution may result in blurred text, a dimmed screen, a truncated display area, or misalignment of the display.
- The setting methods may be different depending on the computer or operating system, and some resolutions may not be available depending on the performance of the graphics card. If this is the case, contact the manufacturer of the computer or graphics card for assistance.
- Some graphics cards may not support 3840 x 2160 resolution. If the resolution cannot be displayed, contact the manufacturer of your graphics card.

**The display color is abnormal.**

Does the display appear discolored (16 colors)?	<ul style="list-style-type: none"> <li>• Set the color to 24 bit (true color) or higher. In Windows, go to Control Panel &gt; Display &gt; Settings &gt; Color Quality.</li> </ul>
Does the display color appear unstable or monochrome?	<ul style="list-style-type: none"> <li>• Check if the signal cable is connected properly. Reconnect the cable or reinsert the PC's graphics card.</li> </ul>
Are there spots on the screen?	<ul style="list-style-type: none"> <li>• When using the monitor, pixilated spots (red, green, blue, white, or black) may appear on the screen. This is normal for an LCD screen. It is not an error, nor is it related to the monitor's performance.</li> </ul>

**No sound from the headphone port.**

Are images displayed using (Mini) DisplayPort or HDMI input without sound?	<ul style="list-style-type: none"> <li>• Make sure that the headphone port connections are made properly.</li> <li>• Try increasing the volume using the button on the monitor.</li> <li>• Set the audio output of the PC to the monitor you are using. On Microsoft Windows, go to Control Panel &gt; Hardware and Sound &gt; Sound &gt; set the monitor as default device.</li> </ul>
--	---

# PRODUCT SPECIFICATION

LCD Screen	Type	TFT (Thin Film Transistor) LCD (Liquid Crystal Display) Screen		
	Pixel Pitch	0.1554 mm x 0.1554 mm		
Resolution	Max Resolution	3840 x 2160 @ 60 Hz		
	Recommended Resolution	3840 x 2160 @ 60 Hz		
Video Signal	Horizontal Frequency	30 kHz to 135 kHz		
	Vertical Frequency	56 Hz to 61 Hz		
Input Connector	HDMI IN 1, HDMI IN 2, DP (DisplayPort) IN, MiniDP (Mini DisplayPort) IN, H/P OUT			
Power Sources	Power Rating	AC 100-240 V~ 50/60 Hz, 0.8 A		
	Power Consumption* (Typical)	Operating Mode: 39 W (Typical) (Outgoing Condition) Sleep Mode ≤ 0.5 W		
		Off Mode	Power Button Switch	≤ 0.3 W 0 W
Stand Angle	Forward/Backward: -5° to 35° (Head)			
Environmental Conditions	Operating Conditions	Temperature	0 °C to 40 °C	
		Humidity	Less than 80 %	
	Storing Conditions	Temperature	-20 °C to 60 °C	
		Humidity	Less than 85 %	
Dimensions	Monitor Size (Width x Height x Depth)			
	With Stand (mm)	643.0 x 438.6 x 250.0		
	Without Stand (mm)	643.0 x 381.2 x 55.6		
Weight (Without Packaging)	With Stand (kg)	7.8		
	Without Stand (kg)	5.5		

Specifications are subject to change without notice.

\* The power consumption level can be different by operating condition and monitor setting.

## Factory Support Mode (Preset Mode, PC)

### HDMI

Resolution	Horizontal Frequency (kHz)	Vertical Frequency (Hz)	Polarity (H/V)	Remarks
640 x 480	31.469	59.94	-/-	
800 x 600	37.879	60.317	+/+	
1024 x 768	48.363	60	-/-	
1152 x 864	54.347	60.05	+/+	
1280 x 720	45	60	+/+	
1280 x 1024	63.981	60.02	+/+	
1600 x 900	60	60	+/+	
1920 x 1080	67.5	60	+/-	
1920 x 2160	133.29	60	+/-	Recommended resolution for PBP
3840 x 2160	67.5	30	+/-	
3840 x 2160	135	60	+/-	

### (Mini) DisplayPort

Resolution	Horizontal Frequency (kHz)	Vertical Frequency (Hz)	Polarity (H/V)	Remarks
640 x 480	31.469	59.94	-/-	
800 x 600	37.879	60.317	+/+	
1024 x 768	48.363	60	-/-	
1152 x 864	54.347	60.05	+/+	
1280 x 720	45	60	+/+	
1280 x 1024	63.981	60.02	+/+	
1600 x 900	60	60	+/+	
1920 x 1080	67.5	60	+/-	
1920 x 2160	133.32	60	+/-	Recommended resolution for PBP
3840 x 2160	66.66	30	+/-	
3840 x 2160	133.32	60	+/-	

## HDMI Timing (Video)

Factory support mode (Preset Mode)	Horizontal Frequency (kHz)	Vertical Frequency (Hz)	Remarks
480p	31.5	60	
720p	45	60	
1080p	67.5	60	
2160p	135	60	When HDMI ULTRA HD Deep Color is set to ON.

## Power LED

Mode	LED Color
On Mode	White
Sleep Mode	Flashing White
Off Mode	Off

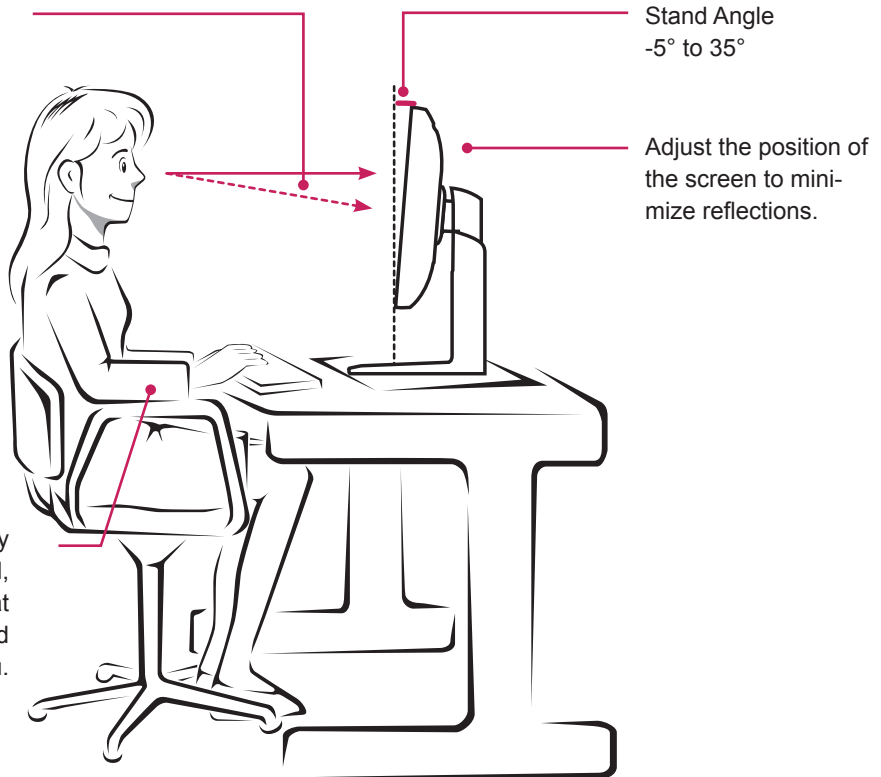
# PROPER POSTURE

## Proper Posture for Using the Monitor

Adjust the screen so that you can comfortably look at it at a slight downward angle from your natural eye level.

- Take a break for approximately 10 minutes every hour to reduce any fatigue caused by prolonged usage.
- Adjust the stand angle from  $-5^{\circ}$  to  $35^{\circ}$  to obtain the best view of the screen.

You should be looking slightly down at the screen.





To obtain the source code under GPL, LGPL, MPL, and other open source licenses, that is contained in this product, please visit <http://opensource.lge.com>.

In addition to the source code, all referred license terms, warranty disclaimers and copyright notices are available for download. LG Electronics will also provide open source code to you on CD-ROM for a charge covering the cost of performing such distribution (such as the cost of media, shipping, and handling) upon email request to [opensource@lge.com](mailto:opensource@lge.com). This offer is valid for three (3) years from the date on which you purchased the product.

This device meets the EMC requirements for home appliances (Class B) and is intended for home usage. This device can be used in all regions. Read the owner's manual (CD) carefully and keep it at hand. Please note that the label attached to the product provides information for technical support.

Model \_\_\_\_\_

Serial No. \_\_\_\_\_

ENERGY STAR is a set of power-saving guidelines issued by the U.S. Environmental Protection Agency (EPA).



As an ENERGY STAR Partner LGE U. S. A., Inc. has determined that this product meets the ENERGY STAR guidelines for energy efficiency.

Refer to [ENERGY STAR.gov](http://ENERGY STAR.gov) for more information on the ENERGY STAR program.