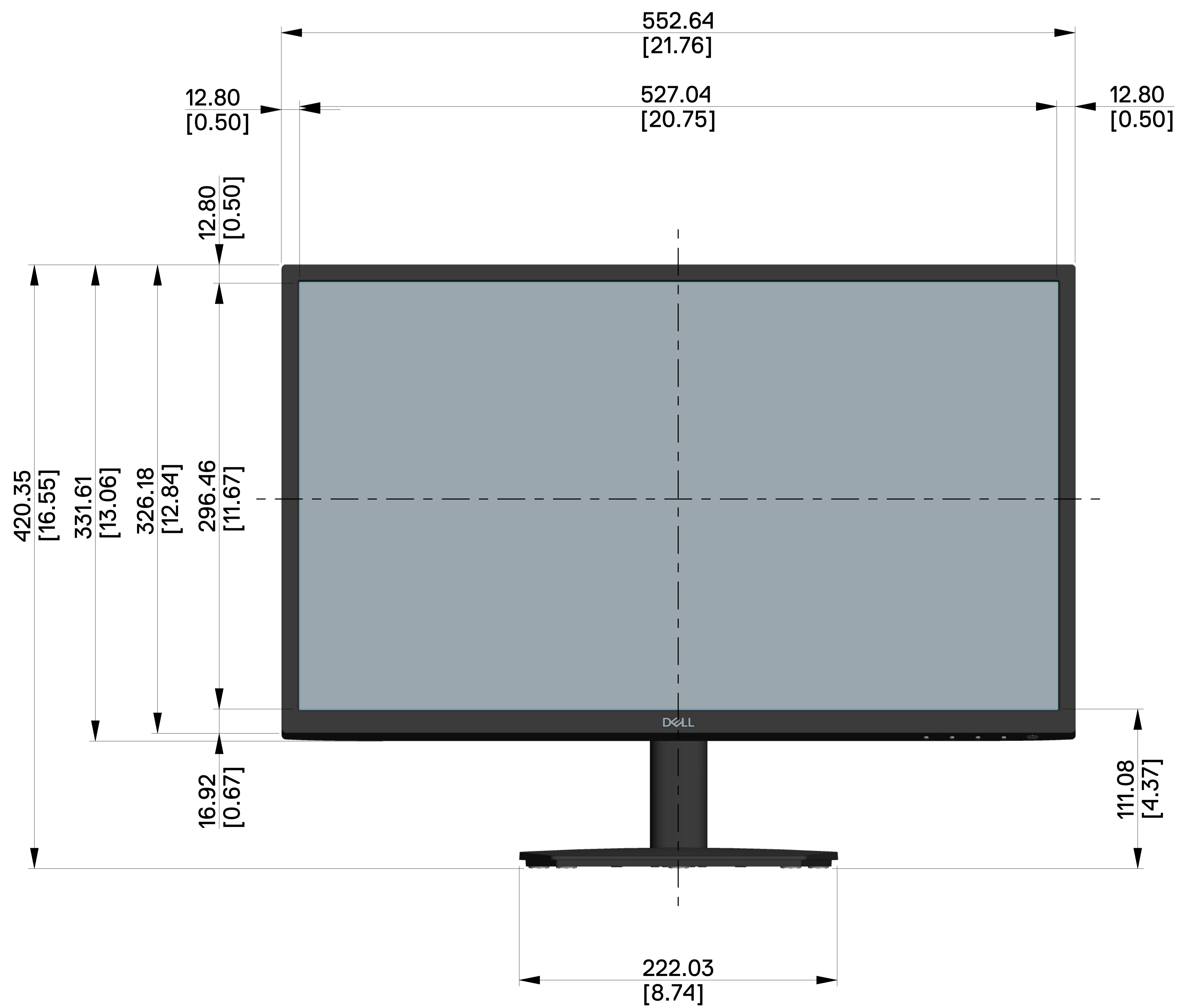
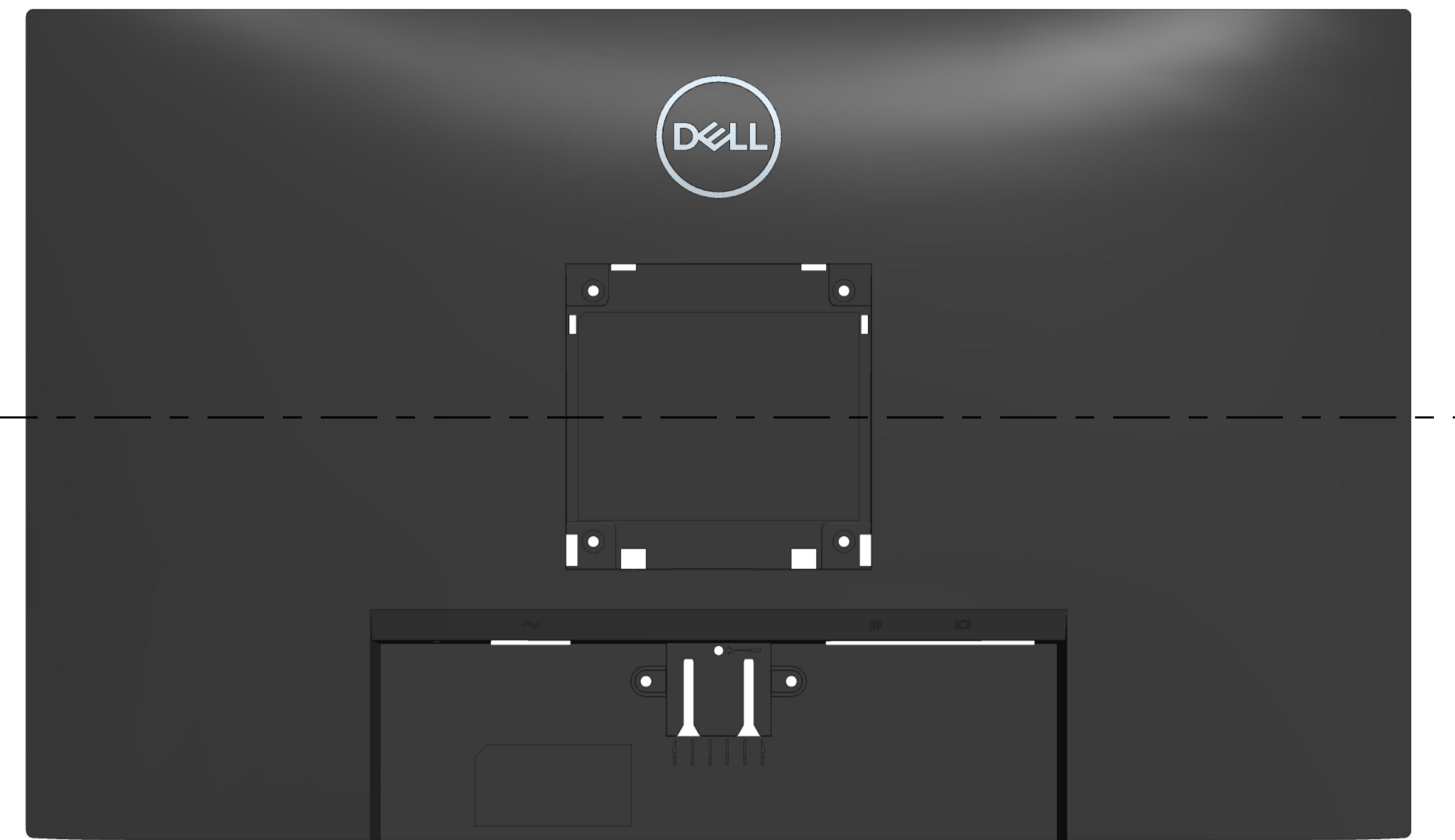
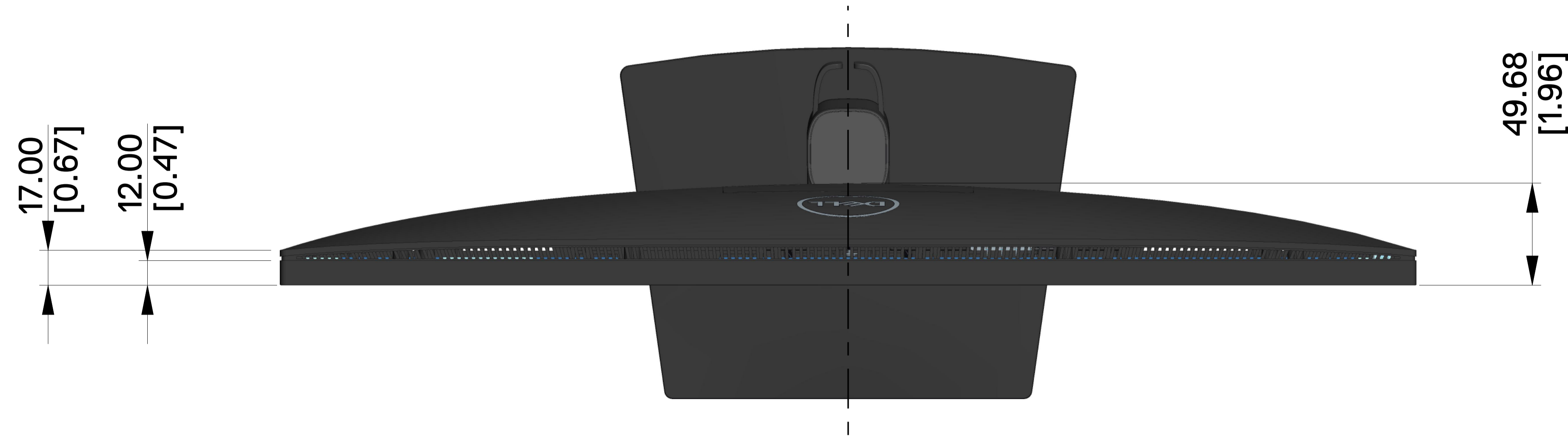


E2422H/HN Outline Dimensions

Unit :mm(inch)
 Dimension :Nominal
 Drawing :Not to scale



Tilt

