

Optix Series

LCD Monitor

Optix MAG341CQ (3MA0)

Contents

Copyright and Trademarks Notice	iii
Revision	iii
Technical Support	iii
Safety Instructions.....	iv
CE Conformity.....	vi
FCC-B Radio Frequency Interference Statement	vi
WEEE Statement	vii
Chemical Substances Information	vii
RoHS Statement	vii

1. Getting Started..... 1-1

Package Contents.....	1-2
Installing the Monitor Stand.....	1-3
Adjusting the Monitor	1-4
Monitor Overview	1-5
Connecting the Monitor to PC.....	1-7

2. OSD Setup..... 2-1

OSD Key	2-2
OSD Setup Menu	2-4

Appendix..... A-1

Specifications	A-2
Preset Display Modes	A-3
Troubleshooting	A-4

Copyright and Trademarks Notice

Copyright © Micro-Star Int'l Co., Ltd. All rights reserved. The MSI logo used is a registered trademark of Micro-Star Int'l Co., Ltd. All other marks and names mentioned may be trademarks of their respective owners. No warranty as to accuracy or completeness is expressed or implied. MSI reserves the right to make changes to this document without prior notice.

Revision

Revision	Date
V1.0	2018/06

Technical Support

If a problem arises with your product and no solution can be obtained from the user's manual, please contact your place of purchase or local distributor. Alternatively, please visit <https://www.msi.com/support/> for further guidance.

Safety Instructions



- ☑ Read the safety instructions carefully and thoroughly.
- ☑ All cautions and warnings on the device or user's manual should be noted.
- ☑ Refer servicing to qualified personnel only.



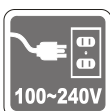
Keep the User's Guide that comes with the package for future reference.



To prevent fire or shock hazard, keep this device away from humidity and high temperature.



Lay this device on a reliable flat surface before setting it up.



- ☑ Make sure that the power voltage is within its safety range and has been adjusted properly to the value of 100~240V before connecting the device to the power outlet. Do not disable the protective earth pin from the plug. The device must be connected to an earthed mains socket-outlet.
- ☑ Always disconnect the power cord or switch the wall socket off if the device would be left unused for a certain time to achieve zero energy consumption.



The ventilator on the device is used for air convection and to prevent the device from overheating. Do not cover the ventilator.



Do not leave the device in an unconditioned environment with a storage temperature above 60°C or below -20°C, which may damage the device.

NOTE: The maximum operating temperature is around 40°C.



When cleaning the device, be sure to remove the power plug. Use a piece of soft cloth rather than industrial chemical to clean the device. Never pour any liquid into the opening; that could damage the device or cause electric shock.



Place the power cord in a way that people are unlikely to step on it. Do not place anything on the power cord.



Always keep strong magnetic or electrical objects away from the device.



If any of the following situations arises, get the device checked by service personnel:

- ☐ The power cord or plug is damaged.
- ☐ Liquid has penetrated into the device.
- ☐ The device has been exposed to moisture.
- ☐ The device does not work well or you can not get it work according to user's manual.
- ☐ The device has dropped and damaged.
- ☐ The device has obvious sign of breakage.

Green Product Features

- ☐ Reduced energy consumption during use and stand-by
- ☐ Limited use of substances harmful to the environment and health
- ☐ Easily dismantled and recycled
- ☐ Reduced use of natural resources by encouraging recycling
- ☐ Extended product lifetime through easy upgrades
- ☐ Reduced solid waste production through take-back policy



Environmental Policy

- ☐ The product has been designed to enable proper reuse of parts and recycling and should not be thrown away at its end of life.
- ☐ Users should contact the local authorized point of collection for recycling and disposing of their end-of-life products.
- ☐ Visit the MSI website and locate a nearby distributor for further recycling information.
- ☐ Users may also reach us at gpcontdev@msi.com for information regarding proper disposal, take-back, recycling, and disassembly of MSI products.

★ Warning! Overuse of screens is likely to affect eyesight.

★ Recommendations:

1. Take a 10-minute break for every 30 minutes of screen time.
2. Children under 2 years of age should have no screen time. For children aged 2 years and over, screen time should be limited to less than one hour per day.

CE Conformity

This device complies with the requirements set out in the Council Directive on the Approximation of the Laws of the Member States relating to Electromagnetic Compatibility (2014/30/EU), Low-voltage Directive (2014/35/EU), ErP Directive (2009/125/EC) and RoHS directive (2011/65/EU).



This product has been tested and found to comply with the harmonized standards for Information Technology Equipment published under Directives of Official Journal of the European Union.

FCC-B Radio Frequency Interference Statement



This equipment has been tested and found to comply with the limits for a Class B digital device, pursuant to Part 15 of the FCC Rules. These limits are designed to provide reasonable protection against harmful interference in a residential installation. This equipment generates, uses and can radiate radio frequency energy and, if not installed and used in accordance with the instruction manual, may cause harmful interference to radio communications. However, there is no guarantee that interference will not occur in a particular installation. If this equipment does cause harmful interference to radio or television reception, which can be determined by turning the equipment off and on, the user is encouraged to try to correct the interference by one or more of the measures listed below:

- Reorient or relocate the receiving antenna.
- Increase the separation between the equipment and receiver.
- Connect the equipment into an outlet on a circuit different from that to which the receiver is connected.
- Consult the dealer or an experienced radio/television technician for help.

Notice 1

The changes or modifications not expressly approved by the party responsible for compliance could void the user's authority to operate the equipment.

Notice 2

Shielded interface cables and AC power cord, if any, must be used in order to comply with the emission limits.

This device complies with Part 15 of the FCC Rules. Operation is subject to the following two conditions:

1. this device may not cause harmful interference, and
2. this device must accept any interference received, including interference that may cause undesired operation.

WEEE Statement

Under the European Union ("EU") Directive on Waste Electrical and Electronic Equipment, Directive 2002/96/EC, which takes effect on August 13, 2005, products of "electrical and electronic equipment" cannot be discarded as municipal waste anymore and manufacturers of covered electronic equipment will be obligated to take back such products at the end of their useful life.



Chemical Substances Information

In compliance with chemical substances regulations, such as the EU REACH Regulation (Regulation EC No. 1907/2006 of the European Parliament and the Council), MSI provides the information of chemical substances in products at:

https://www.msi.com/html/popup/csr/evmtrptt_pcm.html

RoHS Statement

Japan JIS C 0950 Material Declaration

A Japanese regulatory requirement, defined by specification JIS C 0950, mandates that manufacturers provide material declarations for certain categories of electronic products offered for sale after July 1, 2006.

https://www.msi.com/html/popup/csr/cemm_jp.html

https://tw.msi.com/html/popup/csr_tw/cemm_jp.html

India RoHS

This product complies with the "India E-waste (Management and Handling) Rule 2011" and prohibits use of lead, mercury, hexavalent chromium, polybrominated biphenyls or polybrominated diphenyl ethers in concentrations exceeding 0.1 weight % and 0.01 weight % for cadmium, except for the exemptions set in Schedule 2 of the Rule.

Turkey EEE Regulation

Conforms to the EEE Regulations of the Republic Of Turkey

Ukraine Restriction of Hazardous Substances

The equipment complies with requirements of the Technical Regulation, approved by the Resolution of Cabinet of Ministry of Ukraine as of December 3, 2008 № 1057, in terms of restrictions for the use of certain dangerous substances in electrical and electronic equipment.

Vietnam RoHS

As from December 1, 2012, all products manufactured by MSI comply with Circular 30/2011/TT-BCT temporarily regulating the permitted limits for a number of hazardous substances in electronic and electric products.



1

Getting Started

This chapter provides you with the information on hardware setup procedures. While connecting devices, be careful in holding the devices and use a grounded wrist strap to avoid static electricity.

IMPORTANT

- *The illustrations are for reference only. Your monitor may vary in appearance.*
- *Do not use any sharp objects on the monitor.*

Package Contents

1. Monitor
2. Stand
3. Stand Base with Screw
4. Power Cord
5. HDMI Cable
6. DisplayPort Cable
7. Quick Start Guide
8. Warranty Card

* Contact your place of purchase or local distributor if any of the items is damaged or missing.

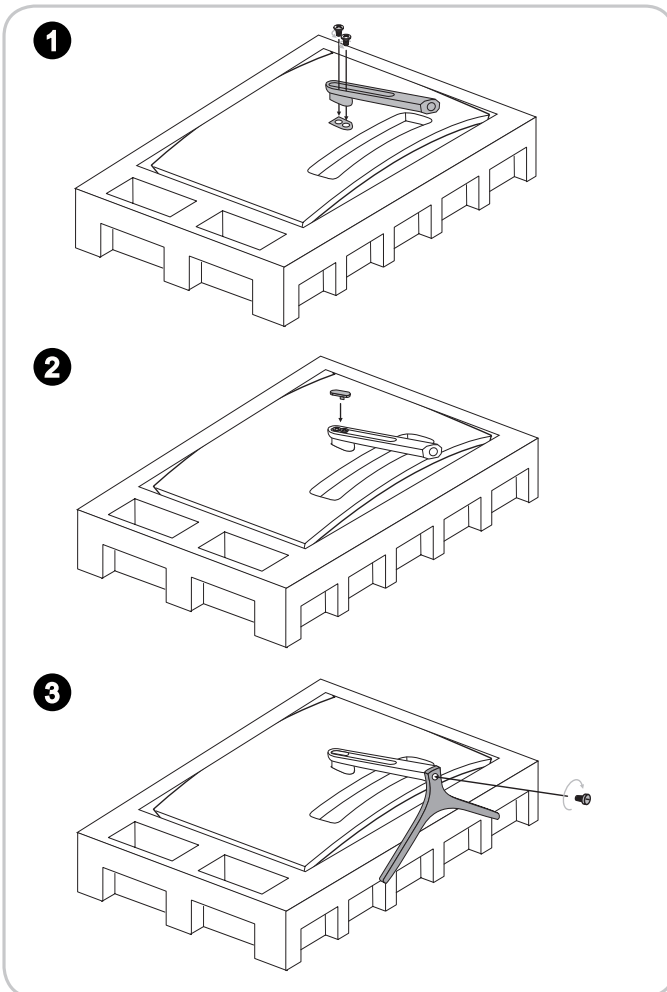
* Package contents may vary by country.

Installing the Monitor Stand

1. Fit the stand to the monitor and tighten the stand with the screws.
2. Place the protection cover.
3. Connect the base to the stand and tighten the base screw to secure the base.

IMPORTANT

Place the monitor on a soft, protected surface to avoid scratching the display panel.

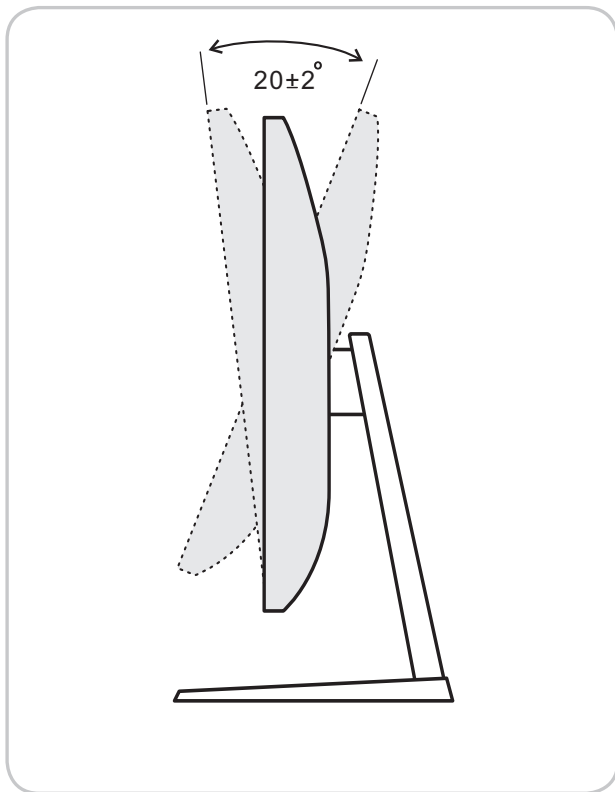


Adjusting the Monitor

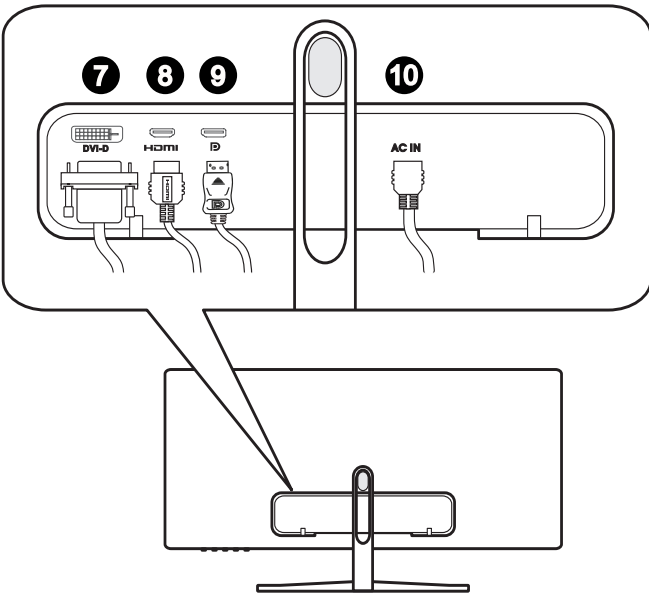
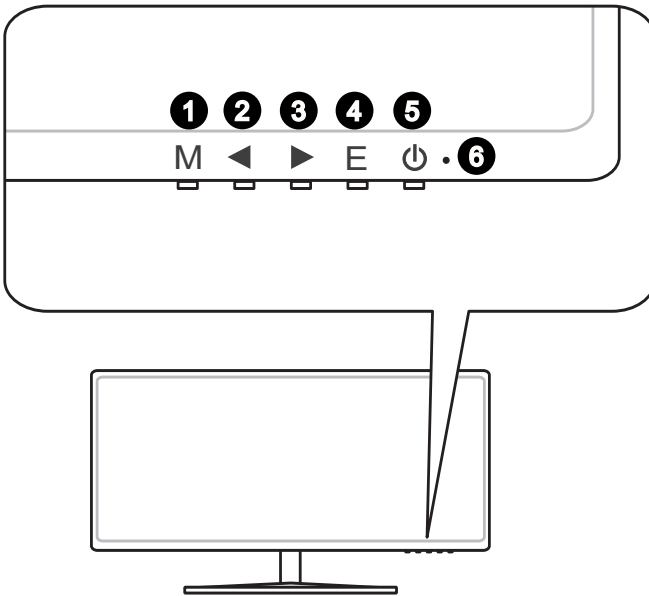
This monitor is designed to maximize your viewing comfort with its adjustment capabilities.

IMPORTANT

Avoid touching the display panel when adjusting the monitor.



Monitor Overview



1 Menu Key

2 Select Key

3 Select Key

4 Enter Key

5 Power Button

6 LED Indicator:
Blue: On
Blinking Blue: Standby

7 DVI Port

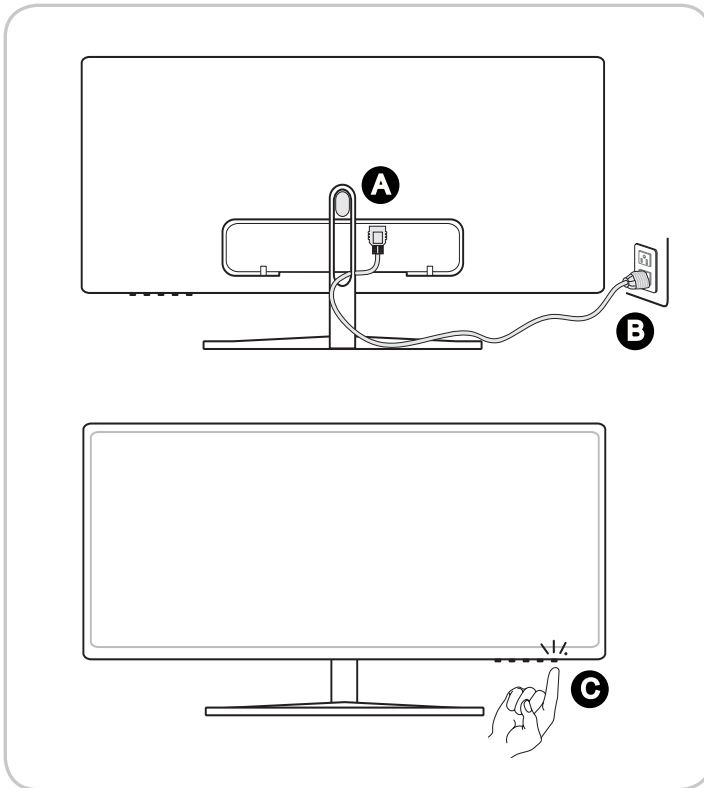
8 HDMI Port 

9 DisplayPort

10 Power Jack

Connecting the Monitor to PC

1. Turn off your computer.
2. Connect the DVI/HDMI/DisplayPort cable from the monitor to your computer.
3. Connect the power cord to the monitor power jack. (Figure A)
4. Plug the power cord into the electrical outlet. (Figure B)
5. Turn on the monitor. (Figure C)
6. Power on the computer and select your input source in OSD menu.





2

OSD Setup

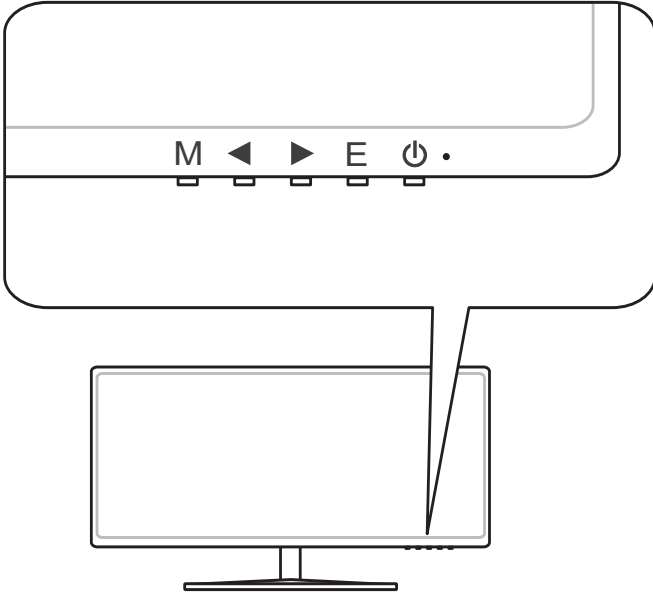
This chapter provides you with essential information on OSD Setup.

IMPORTANT

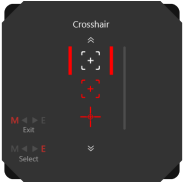


All information is subject to change without prior notice.

OSD Key

The monitor comes with a set of OSD Key that helps to control the On-Screen Display (OSD) menu.



Without entering OSD menu, you can use these OSD keys as hot keys for quick settings.

OSD Key	Function	Basic Operations
◀	Crosshair 	<ul style="list-style-type: none"> ■ Press ◀ button to enter this setting. ■ Press ◀ or ▶ button to select. ■ Press E button to confirm and exit.
▶	Mode 	<ul style="list-style-type: none"> ■ Press ▶ button to enter this setting. ■ Press ◀ or ▶ button to select. ■ Press E button to confirm and exit.
E	Input 	<ul style="list-style-type: none"> ■ Press E button to enter this setting. ■ Press ◀ or ▶ button to select. ■ Press E button to confirm and exit.

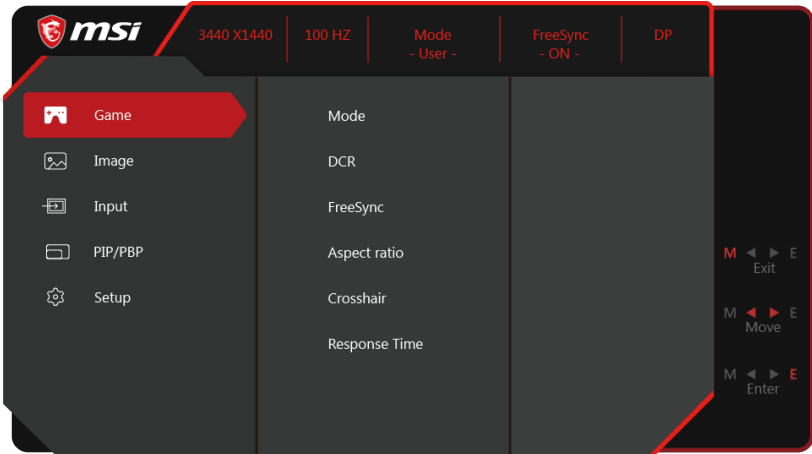
OSD Setup Menu

Press **M** button to launch the On-Screen Display (OSD) main menu. In OSD screen, use **M** **◀ ▶** **E** buttons to tune the desired function to suit your personal preferences.

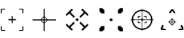
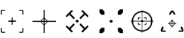
These OSD keys operations are as follows.

OSD Key	Basic Operations
M	<ul style="list-style-type: none">▪ Exiting the current menu
◀	<ul style="list-style-type: none">▪ Selecting function menus and items▪ Allowing downward adjustment in function values
▶	<ul style="list-style-type: none">▪ Selecting function menus and items▪ Allowing upward adjustment in function values
E	<ul style="list-style-type: none">▪ Entering the submenus▪ Confirming a selection or setting

2-4



► Game

1st Level Menu	2nd/3rd Level Menu	Description
Mode	User	User mode. (Default)
	Movie	Movie mode.
	FPS	First person shooting game mode.
	RTS	Strategic game mode.
	Eye Saver	Less blue light mode.
DCR	On	Turn on dynamic contrast function.
	Off	Turn off dynamic contrast function.
FreeSync	On	Turn on FreeSync function. (Supported by AMD graphics card)
	Off	Turn off FreeSync function.
Aspect Ratio	Auto	Automatic aspect ratio.
	21:9	21:9 aspect ratio.
	4:3	4:3 aspect ratio.
Crosshair		Red crosshair mode.
		White crosshair mode.
Response Time	On	Turn on OD mode. (Supported by monitor)
	Off	Turn off OD mode.

► Image

1st Level Menu	2nd/3rd Level Menu	Description	
Brightness	0-100	Adjust brightness. Default is 90.	
Contrast	0-100	Adjust contrast. Default is 50.	
Color Temp.	Cool	Set as cold color temperature.	
	Warm	Set as warm color temperature.	
	Customization	R (0-100)	Adjust red color temperature. Default is 50.
		G (0-100)	Adjust green color temperature. Default is 50.
B (0-100)		Adjust blue color temperature. Default is 50.	
Gamma	1.8	Adjust color tone brightness grey 1.8.	
	2.2	Adjust color tone brightness grey 2.2.	

➤ Input

1st Level Menu	Description
DVI	Select signal source from DVI port.
HDMI	Select signal source from HDMI port.
DP	Select signal source from DP port.

➤ PIP/PBP

1st Level Menu	2nd/3rd Level Menu	Description
PIP	Source	DVI / HDMI / DP
	PIP Size	Small / Medium / Large
	Location	Left Top / Right Top / Left Bottom / Right Bottom.
	Display Switch	Display Switch allows users to switch between primary and secondary input sources.
PBP	Source	DVI / HDMI / DP
	Display Switch	Display Switch allows users to switch between primary and secondary input sources.

➤ Setup

1st Level Menu	2nd/3rd Level Menu	Description
Language	繁中	
	English	
	Français	
	Deutsch	
	Italiano	
	Español	
	한국어	
	日本語	
	Русский	
	Português (More languages coming soon)	
Transparency	0-5	Adjust transparency. Default is 0.
	Power Off	On
	Off	Turn off the automatic power off function.
Reset	On	Reset to factory settings.
	Off	Exit from this item.

A

Appendix

IMPORTANT

All information is subject to change without prior notice.

Specifications

Model	Optix MAG341CQ	
Size	34 inch	
Curvature	1800R	
Panel Type	VA	
Resolution	3440 x 1440@100Hz	
Aspect Ratio	21:9	
Brightness (nits)	250	
Contrast Ratio	3000:1	
Refresh Rate	100Hz	
Response Time	16ms (Typical) 8ms (GTG)	
Input Interface	DVI x 1, HDMI 2.0 x1, DP x1	
View Angles	178°(H) , 178°(V)	
NTSC	85%	
Surface Treatment	Anti-glare	
Display Colors	16.7M	
Power Type	Built-in Adapter	
Power Consumption (Typical)	60W	
Power Input	AC 100~240V, 50~60Hz	
Adjustment (Tilt)	-5° ~ 15°	
VESA Mounting	None	
Dimension (W x H x D)	818.4 x 452 x 197.8 mm (Stand + Base)	
Net Weight	7.1 kg (15.65 lb)	
Environment	Operating	Temperature: 0°C to 40°C Humidity: 20% to 80%, non-condensing Altitude: 0 ~ 2000m
	Storage	Temperature: -20°C to 60°C Humidity: 20% to 90%, non-condensing

Preset Display Modes

Resolution	Optix MAG341CQ		
	DVI	HDMI	DP
640x480 @60Hz	V	V	V
640x480 @72Hz	V	V	V
640x480 @75Hz	V	V	V
800x600 @56Hz	V	V	V
800x600 @60Hz	V	V	V
800x600 @70Hz	V	V	V
800x600 @75Hz	V	V	V
800x600 @100Hz	V	V	V
1024x768 @60Hz	V	V	V
1024x768 @70Hz	V	V	V
1024x768 @75Hz	V	V	V
1024x768 @100Hz	V	V	V
1280x1024 @60Hz	V	V	V
1280x1024 @75Hz	V	V	V
1280x1024 @100Hz	V	V	V
1440x900 @60Hz	V	V	V
1440x900 @100Hz	V	V	V
1680x1050 @60Hz	V	V	V
1680x1050 @100Hz	V	V	V
1920x1080 @60Hz	V	V	V
1920x1080 @100Hz	V	V	V
3440x1440 @60Hz	V	V	V
3440x1440 @100Hz	V	V	V

Troubleshooting

The power LED is off.

- Press the monitor power button again.
- Check if the monitor power cable is properly connected.

No image.

- Check if the computer graphics card is properly installed.
- Check if the computer and monitor are connected to electrical outlets and are turned on.
- Check if the monitor signal cable is properly connected.
- The computer may be in Standby mode. Press any key to activate the monitor.

The screen image is not properly sized or centered.

Refer to Preset Display Modes to set the computer to a setting suitable for the monitor to display.

No Plug & Play.

- Check if the monitor power cable is properly connected.
- Check if the monitor signal cable is properly connected.
- Check if the computer and graphics card are Plug & Play compatible.

The icons, font or screen are fuzzy, blurry or have color problems.

- Avoid using any video extension cables.
- Adjust brightness and contrast.
- Adjust RGB color or tune color temperature.
- Check if the monitor signal cable is properly connected.
- Check for bent pins on the signal cable connector.

The monitor starts flickering or shows waves.

- Change the refresh rate to match the capabilities of your monitor.
- Update your graphics card drivers.
- Keep the monitor away from electrical devices that may cause electromagnetic interference (EMI).