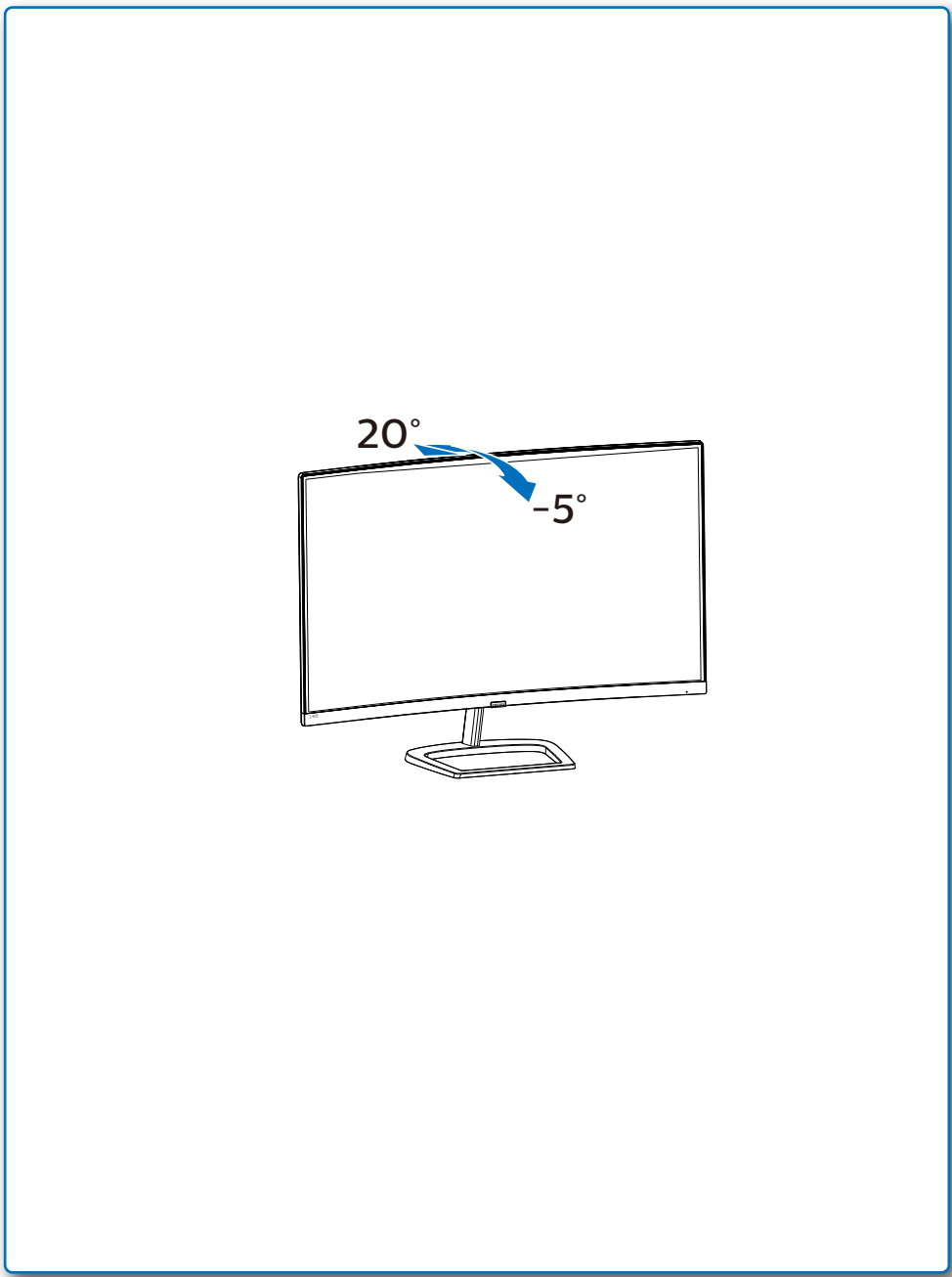


GRAPHIC DEVELOPMENT MMD	
Product name	
Project name	QSG
Project no.	
Finishing	Folded sheet
Scale	1:1
Size Spreads	594 (W) x 210 (H) mm
Size	148.5 (W) x 210 (H) mm
Operator(s)	
Date amended	2018
VERSION No.	13
APPROVAL	
QC Lithographer	
Product Manager	
Date Check	
ARTWORK DOCUMENT	
Paper	80gsm White, woodfree coated
Numbers of colours	2Cx2C
Spotcolor	
Aftertreatment	
<input type="checkbox"/> Cropping	
<input type="checkbox"/> Coating	
<input type="checkbox"/> Varnishing	
<input type="checkbox"/> Embossing	
<input type="checkbox"/> Cutterguide	
<input type="checkbox"/> Die-cut	
<input type="checkbox"/> Binding	
<input type="checkbox"/> Glue	

4



EN Need help?

Online help: www.philips.com/support

SC 需要帮助?

在线帮助: www.philips.com/support

FR Besoin d'Aide ?

Aide en ligne: www.philips.com/support

ES ¿Necesita ayuda?

Ayuda en línea: www.philips.com/support

DE Benötigen Sie Hilfe?

Online-Hilfe: www.philips.com/support

IT Avete bisogno di aiuto?

Guida in linea: www.philips.com/support

BR Precisa ajuda?

Ajuda online: www.philips.com/support

KO 도움이 필요하신가요?

온라인 도움말: www.philips.com/support

UK Потребуйте допомоги?

Підтримка он-лайн: www.philips.com/support

RU Нужна помощь?

Интерактивная справка: www.philips.com/support

TR Yardıma ihtiyacınız var mı?

Online yardım: www.philips.com/support

HI क्या सहायता की जरूरत है?

ऑनलाइन सहायता: www.philips.com/support

AR هل تريد المساعدة؟

www.philips.com/support

JP ヘルプが必要ですか?

オンラインヘルプ: www.philips.com/support

Version: M9248EQ1WWT

© 2018 Koninklijke Philips N.V. All rights reserved.

This product was manufactured and brought to the market by or on behalf of Top Victory Investments Ltd. or one of its affiliates. Top Victory Investments Ltd. is the warrantor in relation to this product. Philips and the Philips Shield Emblem are registered trademarks of Koninklijke Philips N.V. used under license.

Specifications are subject to change without notice.

www.philips.com



Printed in China



Q41G24M181342A

PHILIPS

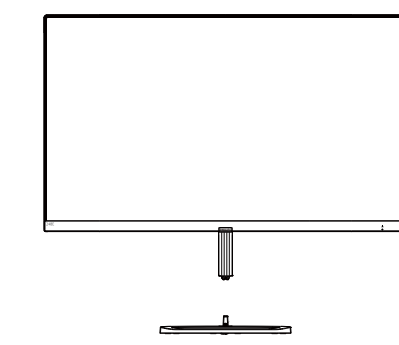
E line

248E9



Quick Start

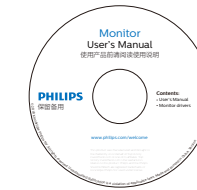
Register your product and get support at www.philips.com/welcome



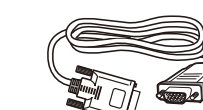
AC/DC Adapter



* Audio cable



* CD



* VGA



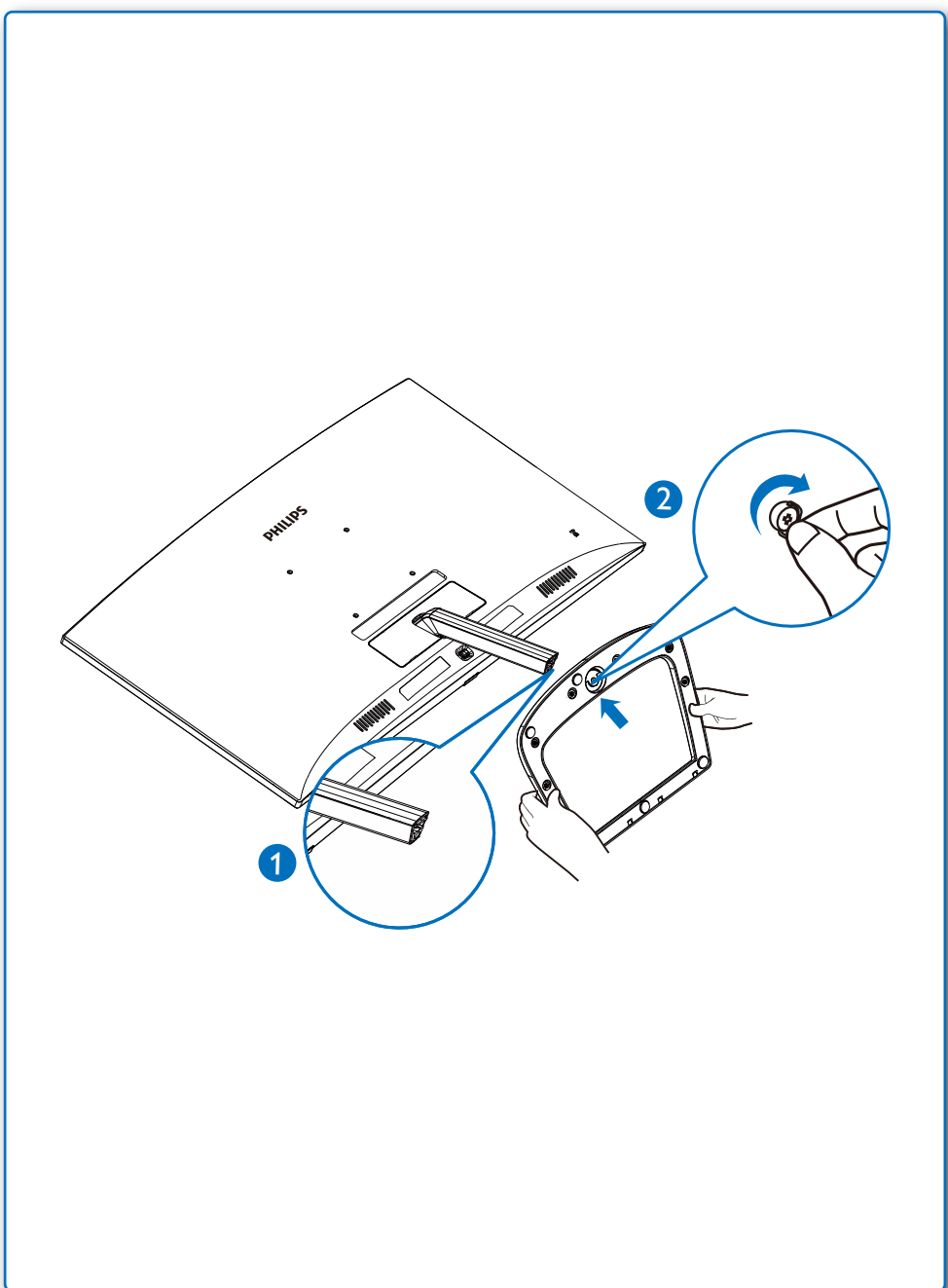
* HDMI



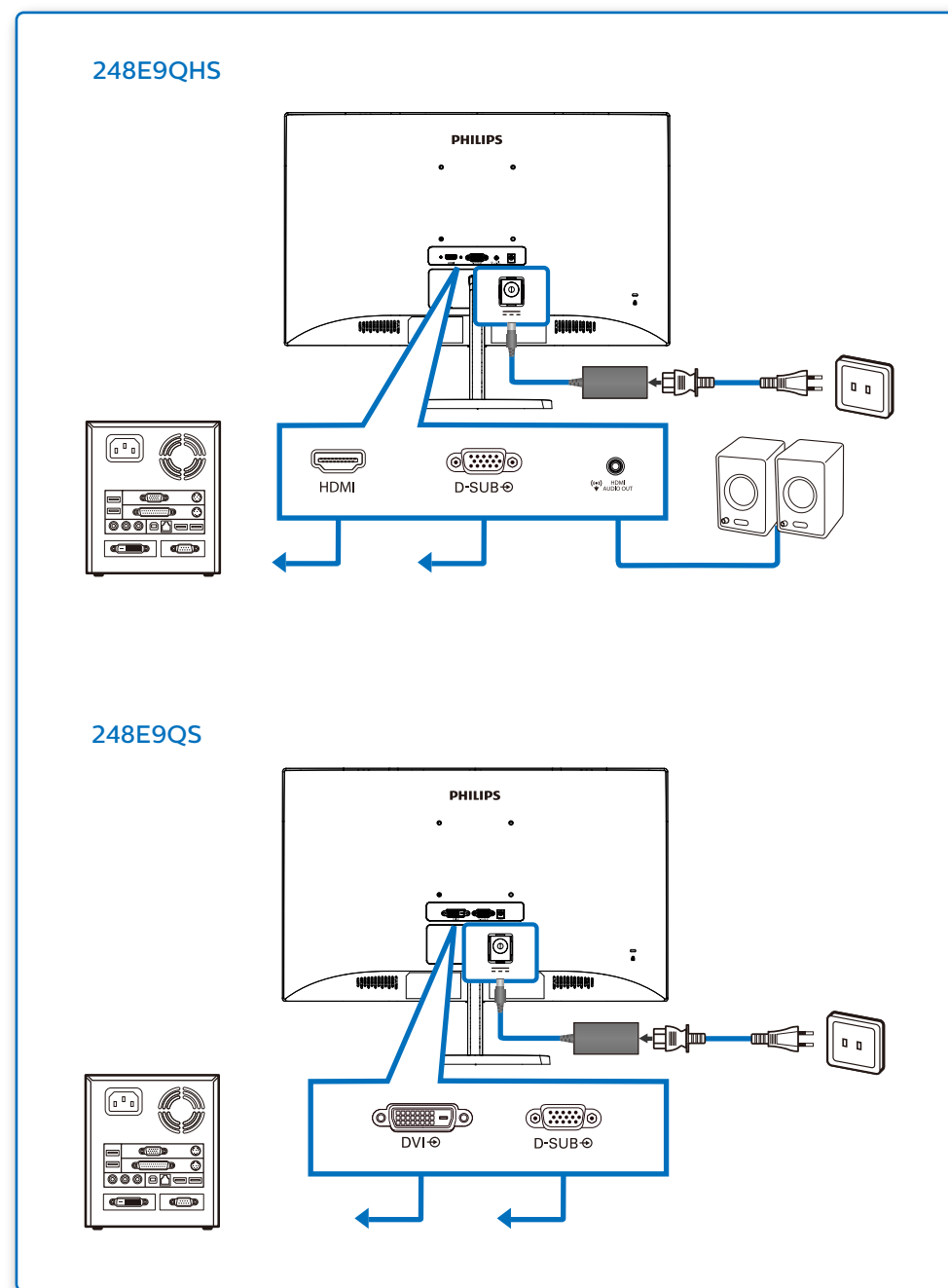
* DVI

* Different according to region.
Display design may differ from those illustrated.

1



2



3

