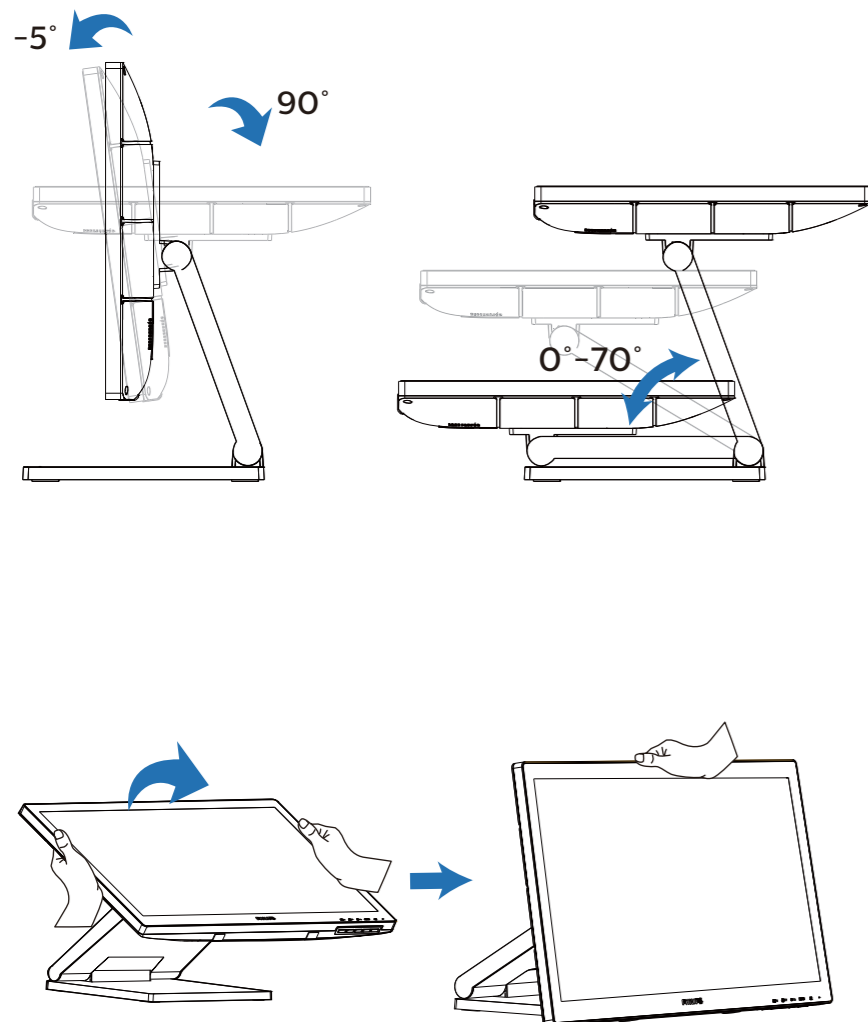


4



Register your product and get support at www.philips.com/support



Version: M916BQ1WWT
 2019 © TOP Victory Investments Ltd. All rights reserved.
 This product has been manufactured by and is sold under the responsibility of Top Victory Investments Ltd., and Top Victory Investments Ltd. is the warrantor in relation to this product. Philips and the Philips Shield Emblem are registered trademarks of Koninklijke Philips N.V. and are used under license.

Energy Labelling

162B9T



Printed in China



Q41G16M181304D

HDMI

The terms HDMI, HDMI High-Definition Multimedia Interface, and the HDMI Logo are trademarks or registered trademarks of HDMI Licensing Administrator, Inc.

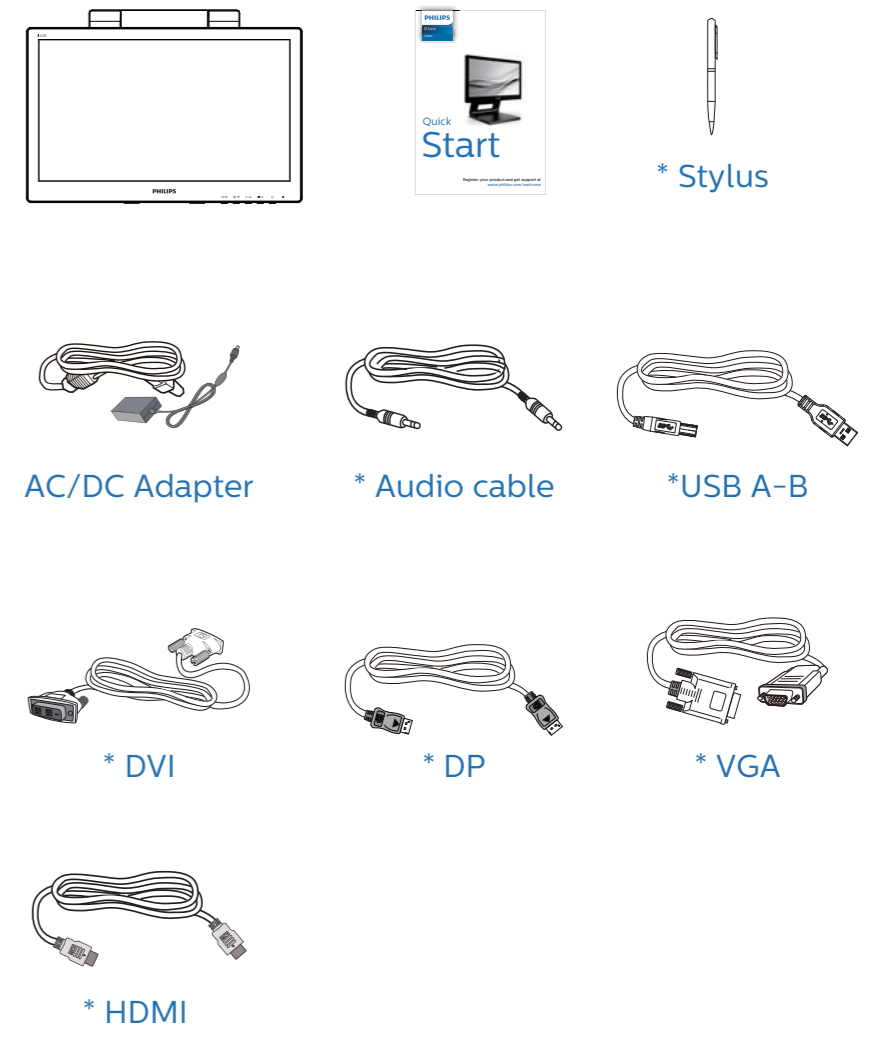
www.philips.com

PHILIPS
 B Line
 162B9



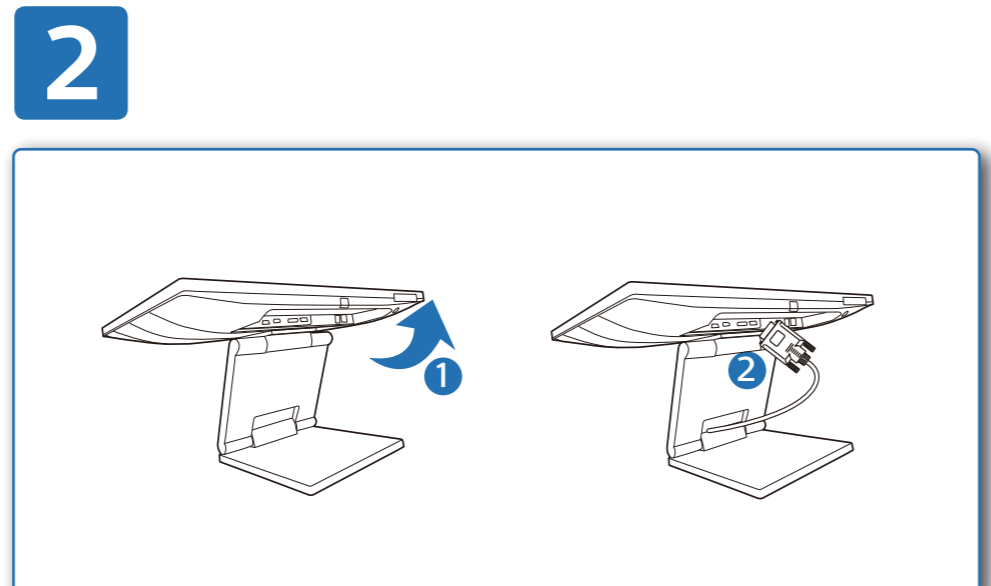
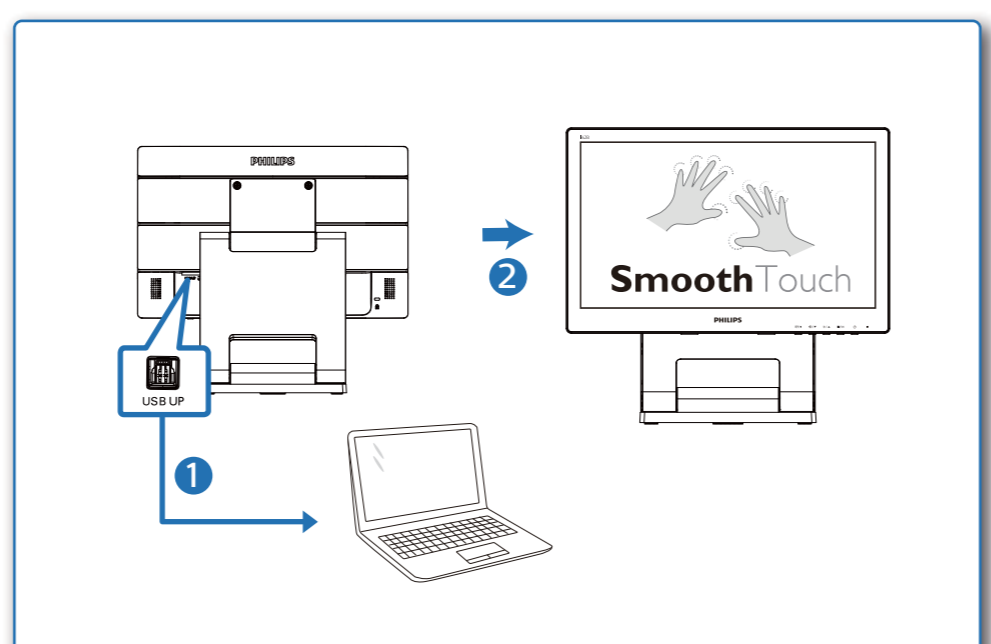
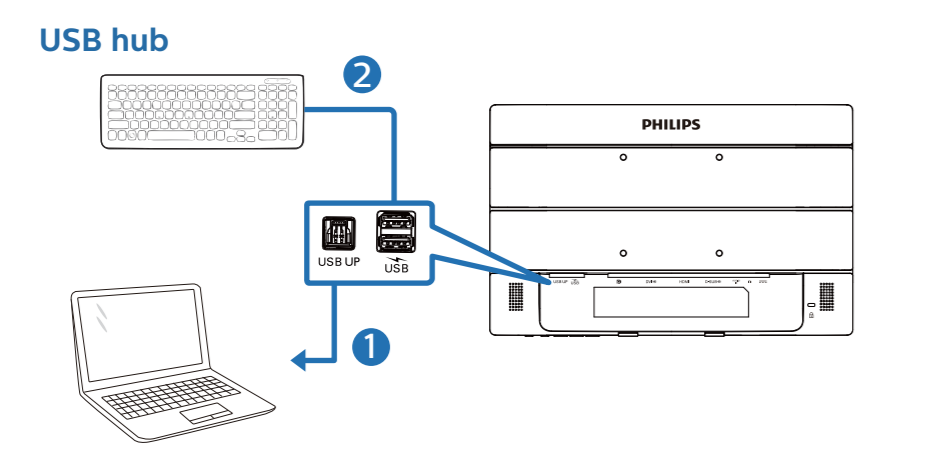
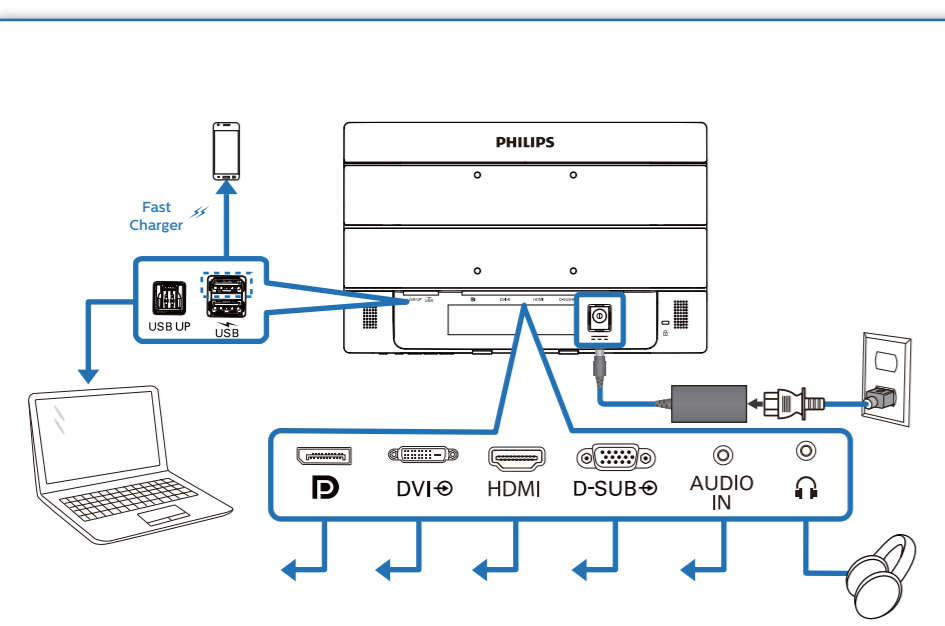
Quick Start

Register your product and get support at www.philips.com/welcome



* Different according to region.
 Display design may differ from those illustrated.

1



3

