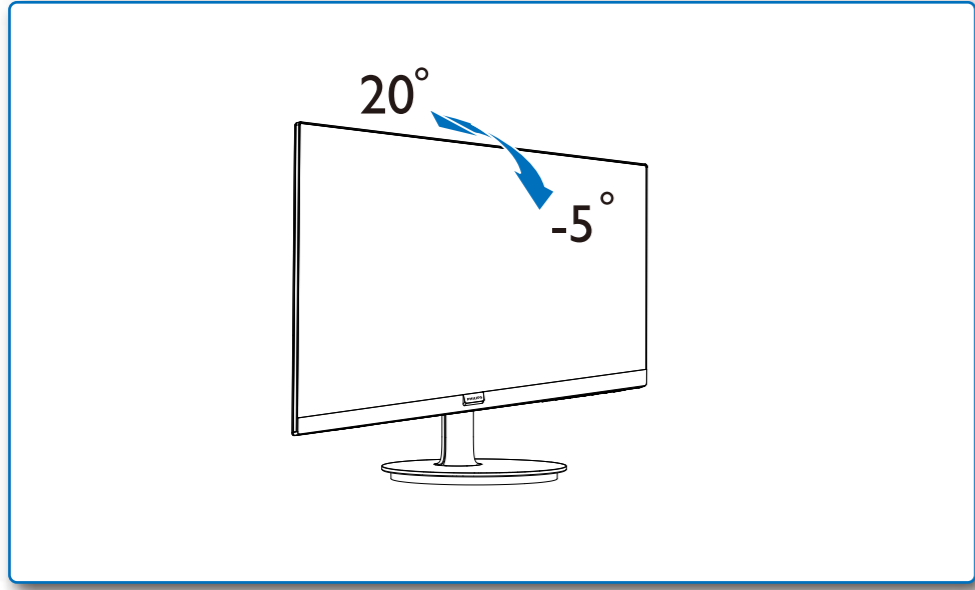


4



Register your product and get support at [www.philips.com/support](http://www.philips.com/support)



Version: M824xVQIT

2020 © TOP Victory Investments Ltd. All rights reserved.

This product has been manufactured by and is sold under the responsibility of Top Victory Investments Ltd., and Top Victory Investments Ltd. is the warrantor in relation to this product. Philips and the Philips Shield Emblem are registered trademarks of Koninklijke Philips N.V. and are used under license.

Specifications are subject to change without notice.

**HDMI**

The terms HDMI, HDMI High-Definition Multimedia Interface, and the HDMI Logo are trademarks or registered trademarks of HDMI Licensing Administrator, Inc.

[www.philips.com](http://www.philips.com)

Energy Labelling

241V8L 241V8LA



242V8LA 242V8A



Printed in China



H41G785281365E

**PHILIPS**

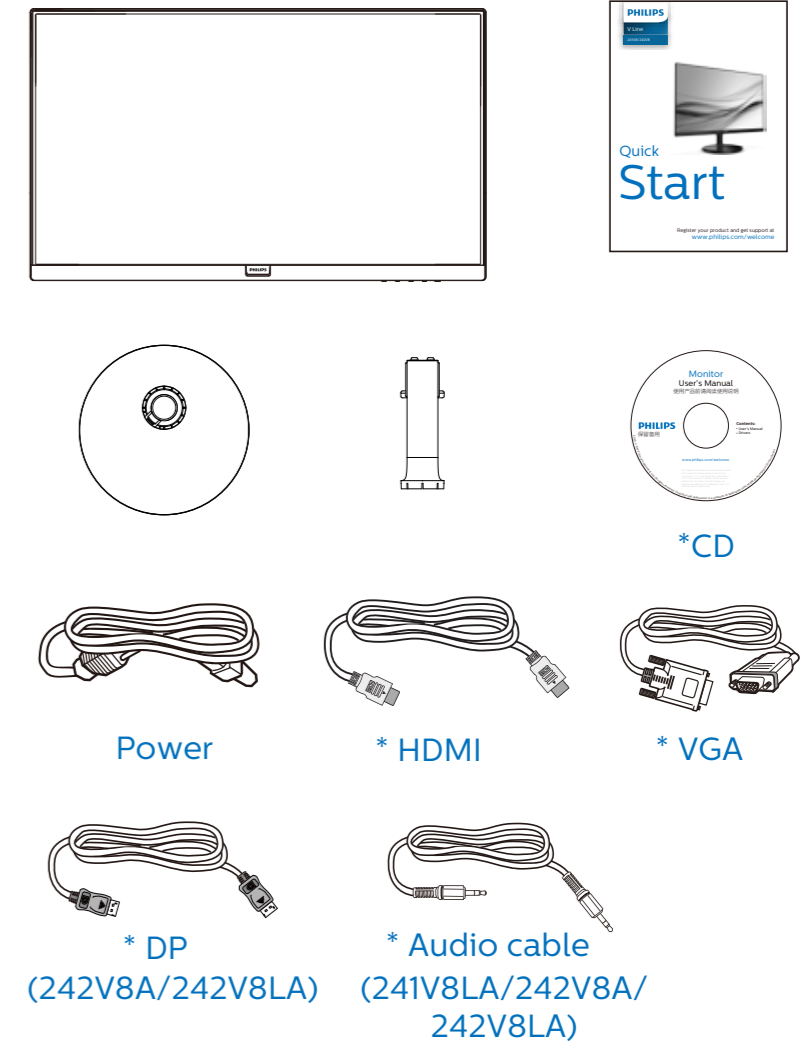
V Line

241V8/242V8



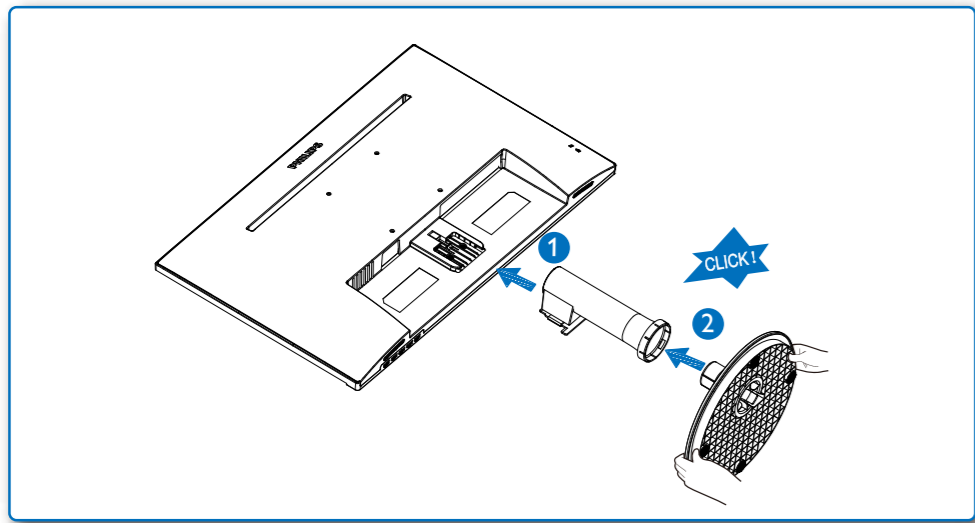
# Quick Start

Register your product and get support at [www.philips.com/welcome](http://www.philips.com/welcome)

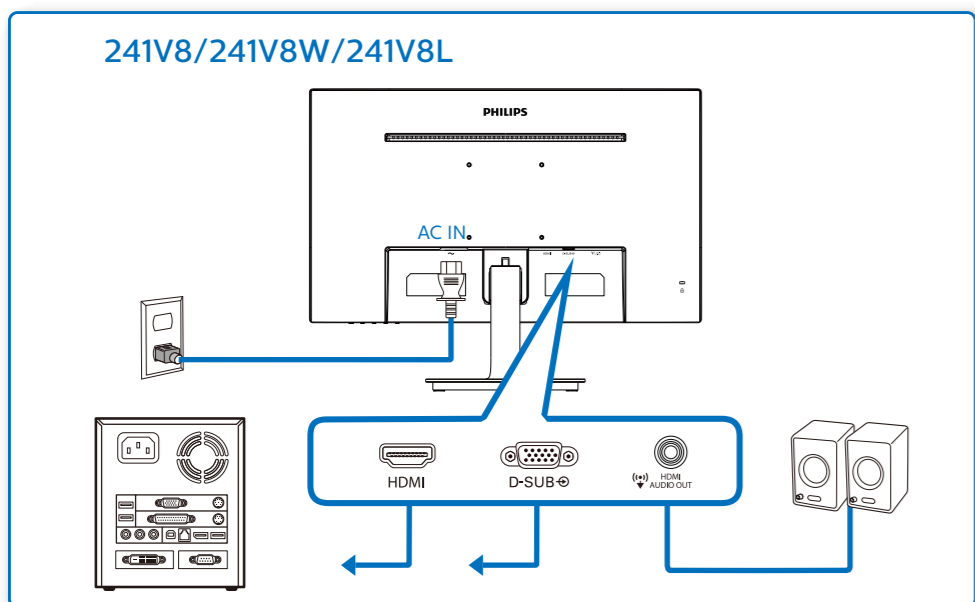


\*Different according to region  
Display design may differ from that illustrated

1

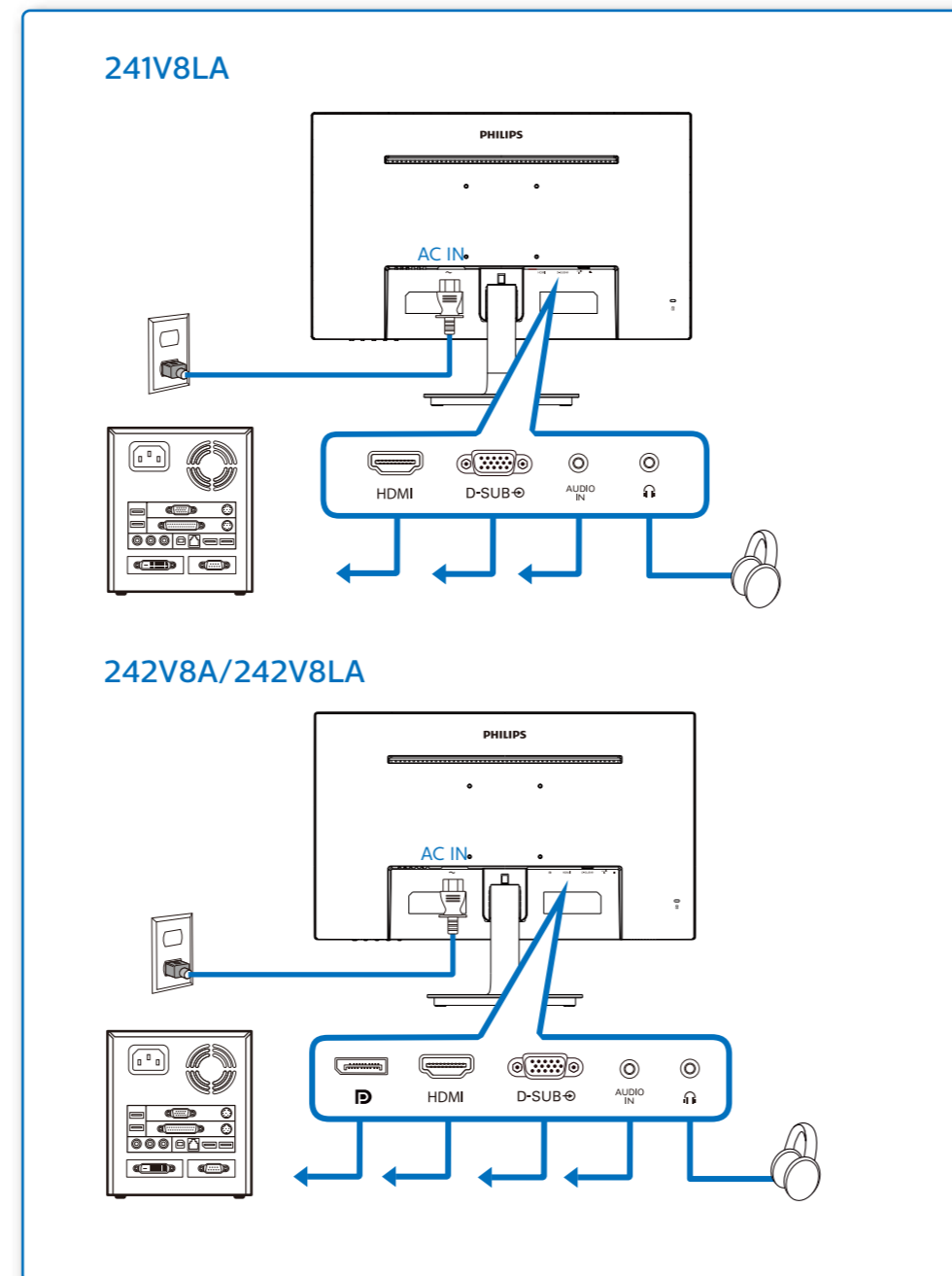


2



241V8LA

242V8A/242V8LA



3

