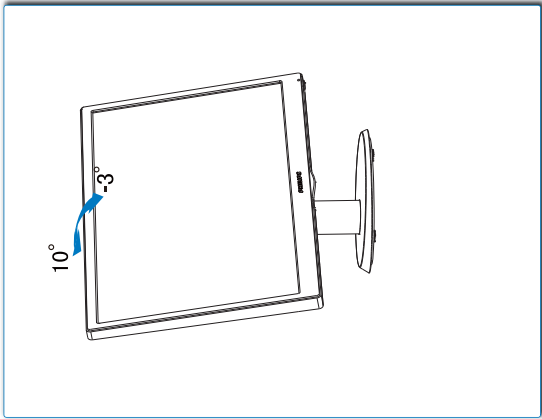


4



- 14. Need help?  
Online help: [www.philips.com/support](http://www.philips.com/support)
- 15. Necesita ayuda?  
Ayuda en línea: [www.philips.com/support](http://www.philips.com/support)
- 16. Besoeddige hulp?  
Online-hulp: [www.philips.com/support](http://www.philips.com/support)
- 17. Necesita ayuda?  
Ayuda en línea: [www.philips.com/support](http://www.philips.com/support)
- 18. Besoeddige hulp?  
Online-hulp: [www.philips.com/support](http://www.philips.com/support)
- 19. Avete bisogno di aiuto?  
Guida in linea: [www.philips.com/support](http://www.philips.com/support)
- 20. Precista ajuda?  
Ajuda online: [www.philips.com/support](http://www.philips.com/support)
- 21. 需要幫助?  
線上幫助: [www.philips.com/support](http://www.philips.com/support)
- 22. Besoeddige hulp?  
Online-hulp: [www.philips.com/support](http://www.philips.com/support)
- 23. Precista ajuda?  
Ajuda online: [www.philips.com/support](http://www.philips.com/support)
- 24. 需要幫助?  
線上幫助: [www.philips.com/support](http://www.philips.com/support)
- 25. Precista ajuda?  
Ajuda online: [www.philips.com/support](http://www.philips.com/support)

Version: MS201VQ2B

2020 © TOP Victory Investment Ltd. All rights reserved.  
This product has been manufactured by and is sold under the responsibility of Top Victory Investments Ltd., and the Philips logo and the Philips shield emblem are registered trademarks of Philips. Philips and the Philips shield emblem are registered trademarks of Koninklijke Philips N.V. and are used under license.

Specifications are subject to change without notice.

[www.philips.com](http://www.philips.com)

**HDMI**  
For more information on related patents, please visit the links below, which belong to their respective owners.



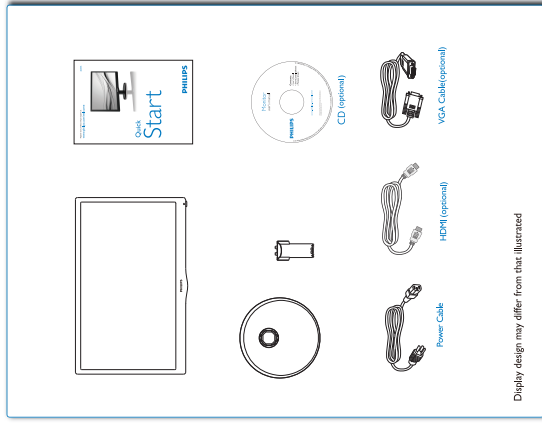
Printed in China

203V5

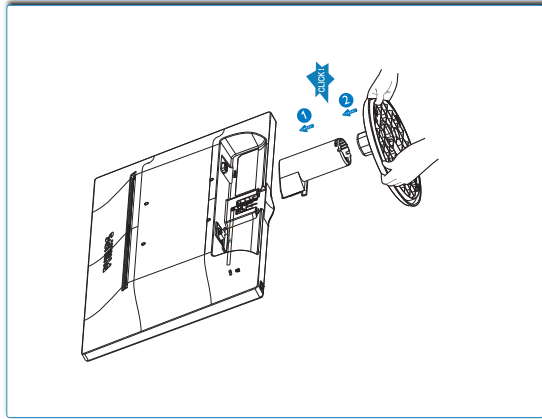
Register your product and get support at  
[www.philips.com/welcome](http://www.philips.com/welcome)



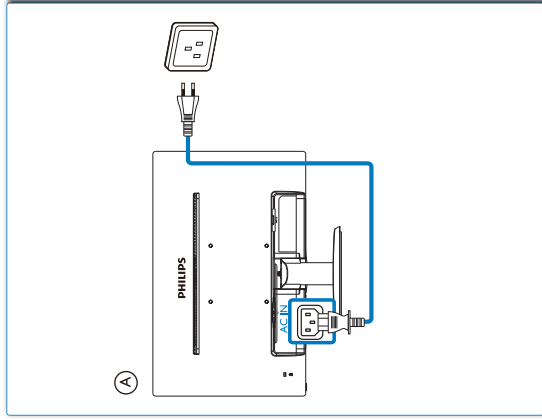
Display design may differ from that illustrated



1



2



3

