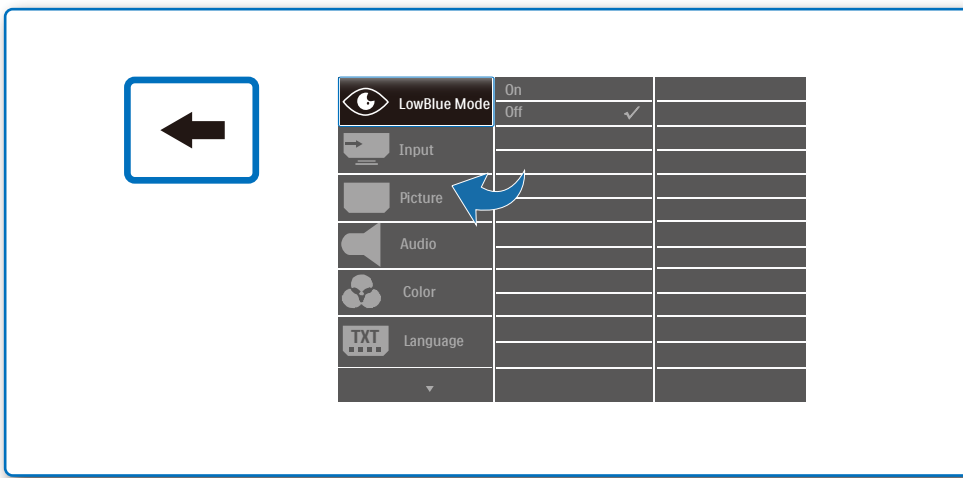
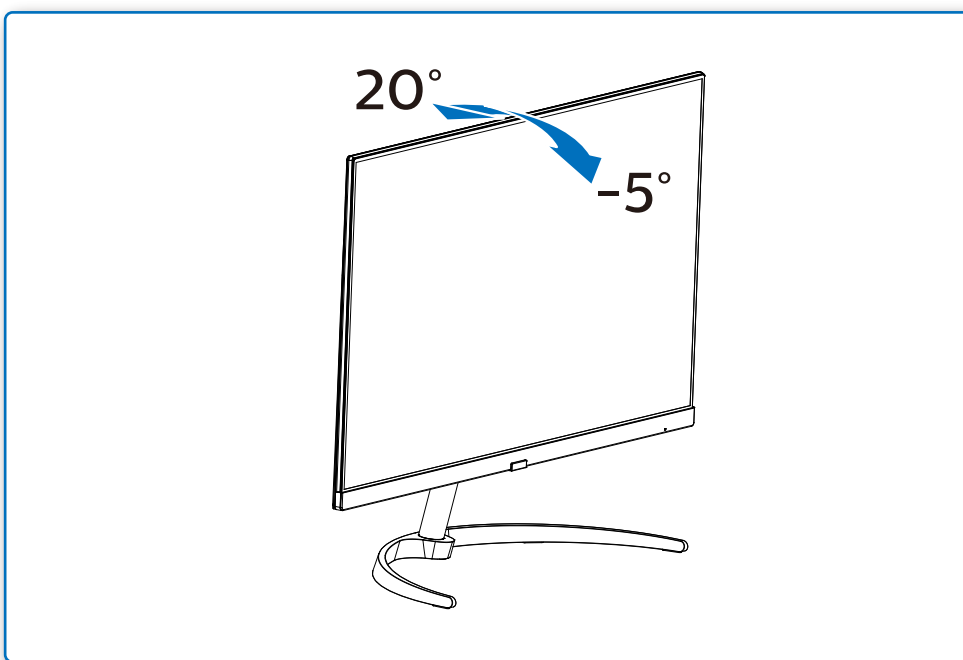


GRAPHIC DEVELOPMENT MMD	
Product name	241E9-QSG
Project no.	241E9-QSG
Finishing	Folded sheet
Scale	1:1
Size Spreads	594 (W) x 210 (H) mm
Size	148.5 (W) x 210 (H) mm
Operator(s)	
Date amended	2018
VERSION No.	13
APPROVAL	
QC Lithographer	
Product Manager	
Date Check	
ARTWORK DOCUMENT	
Paper	80gsm White, woodfree coated
Numbers of colours	2C+2C
Spotcolor	
Aftertreatment	
<input type="checkbox"/> Cropping	
<input type="checkbox"/> Coating	
<input type="checkbox"/> Varnishing	
<input type="checkbox"/> Embossing	
<input type="checkbox"/> Cutterguide	
<input type="checkbox"/> Die-cut	
<input type="checkbox"/> Binding	
<input type="checkbox"/> Glue	

3



4



**EN Need help?**  
Online help: [www.philips.com/support](http://www.philips.com/support)

**FR Besoin d'Aide ?**  
Aide en ligne: [www.philips.com/support](http://www.philips.com/support)

**ES ¿Necesita ayuda?**  
Ayuda en línea: [www.philips.com/support](http://www.philips.com/support)

**DE Benötigen Sie Hilfe?**  
Online-Hilfe: [www.philips.com/support](http://www.philips.com/support)

**IT Avete bisogno di aiuto?**  
Guida in linea: [www.philips.com/support](http://www.philips.com/support)

**BR Precisa ajuda?**  
Ajuda online: [www.philips.com/support](http://www.philips.com/support)

**KO 도움이 필요하신가요?**  
온라인 도움말: [www.philips.com/support](http://www.philips.com/support)

**UK Потребуйте допомоги?**  
Підтримка он-лайн: [www.philips.com/support](http://www.philips.com/support)

**RU Нужна помощь?**  
Интерактивная справка: [www.philips.com/support](http://www.philips.com/support)

**TR Yardıma ihtiyacınız var mı?**  
Online yardım: [www.philips.com/support](http://www.philips.com/support)

**HI क्या सहायता की जरूरत है?**  
ऑनलाइन सहायता: [www.philips.com/support](http://www.philips.com/support)

**AR هل تريد المساعدة؟**  
[www.philips.com/support](http://www.philips.com/support)

**JP ヘルプが必要ですか?**  
オンラインヘルプ: [www.philips.com/support](http://www.philips.com/support)

Version: M9221EQ1WWL  
© 2018 Koninklijke Philips N.V. All rights reserved.  
This product was manufactured and brought to the market by or on behalf of Top Victory Investments Ltd. or one of its affiliates. Top Victory Investments Ltd. is the warrantor in relation to this product. Philips and the Philips Shield Emblem are registered trademarks of Koninklijke Philips N.V. used under license.

Specifications are subject to change without notice.

[www.philips.com](http://www.philips.com)

**HDMI**  
HDMI trademark and related patents on technologies belong to their respective owners.



Printed in China  
F41G22M181325A----

PHILIPS

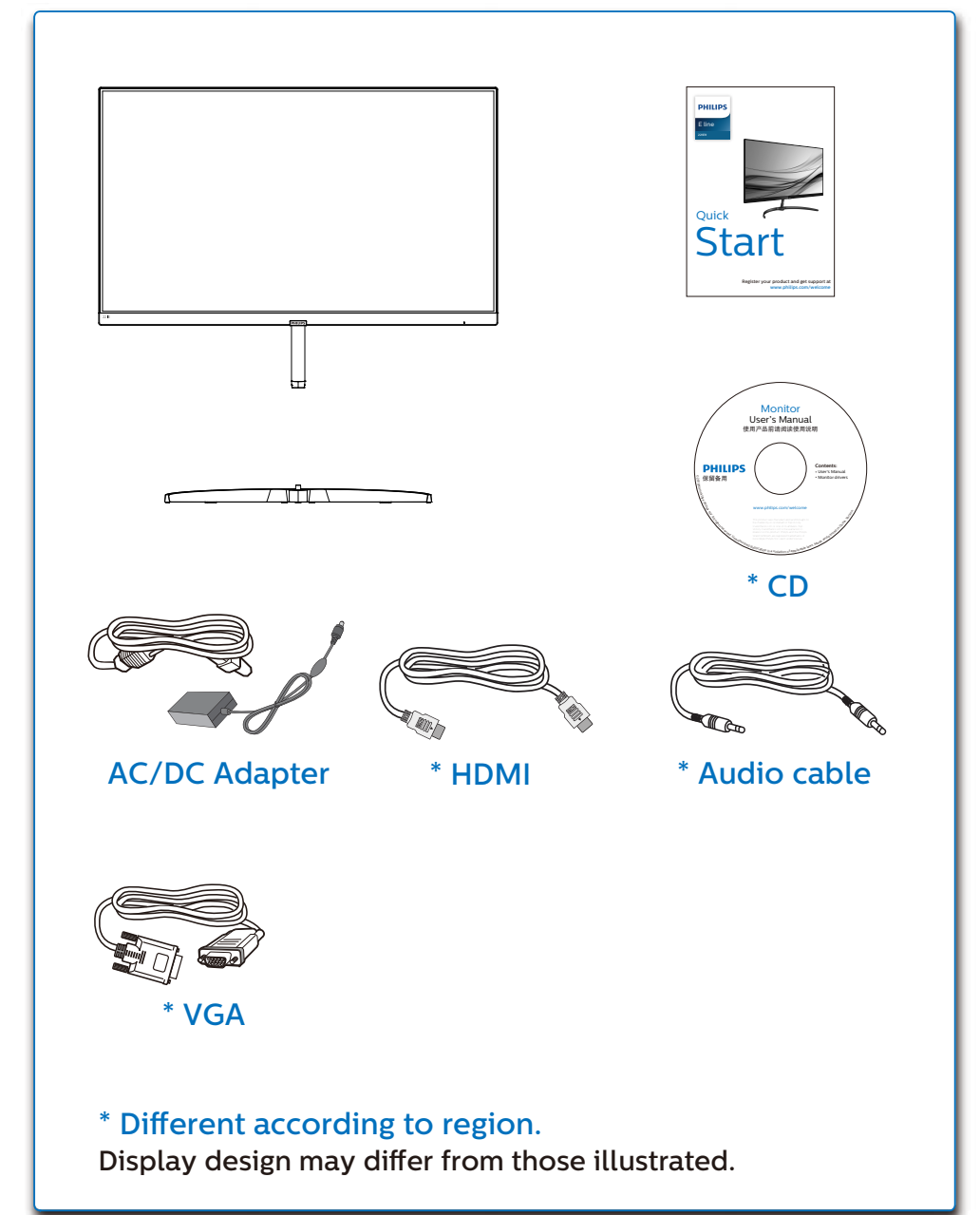
E line

221E9



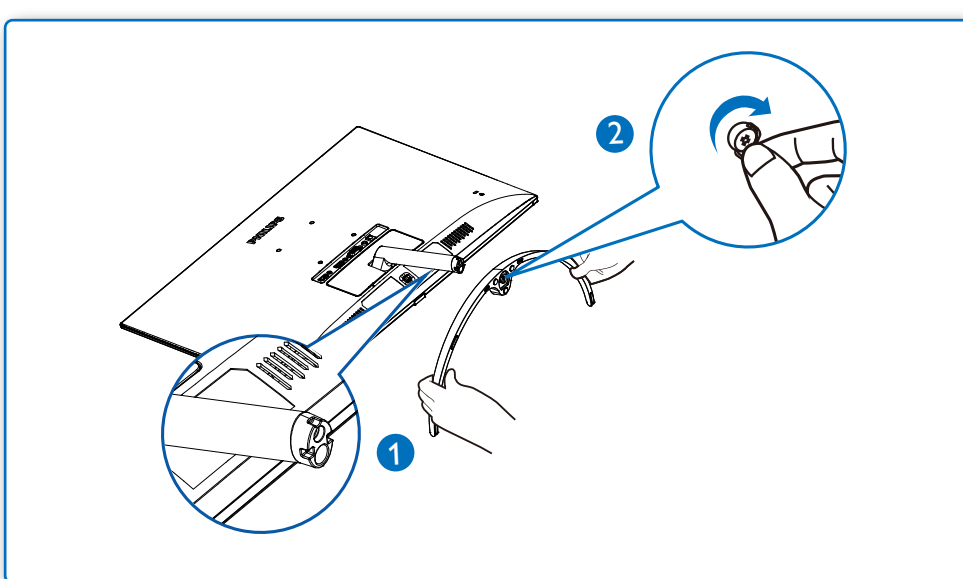
# Quick Start

Register your product and get support at [www.philips.com/welcome](http://www.philips.com/welcome)

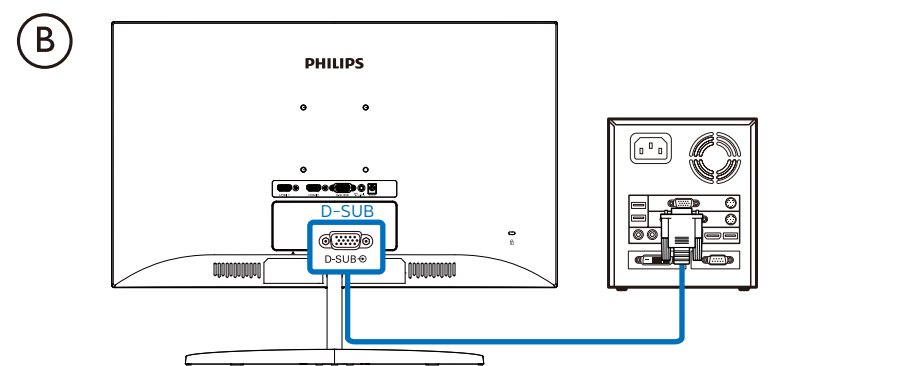
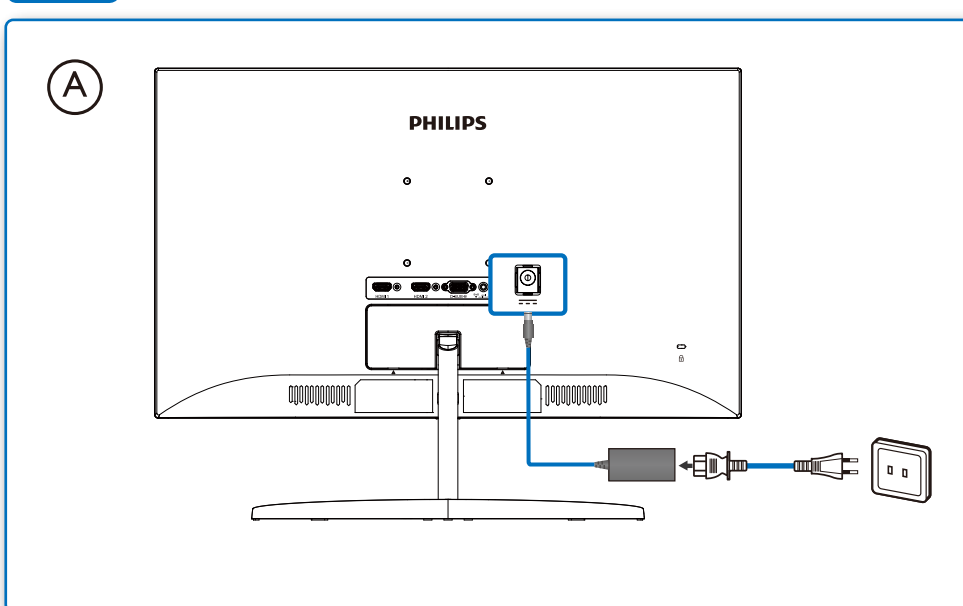


\* Different according to region.  
Display design may differ from those illustrated.

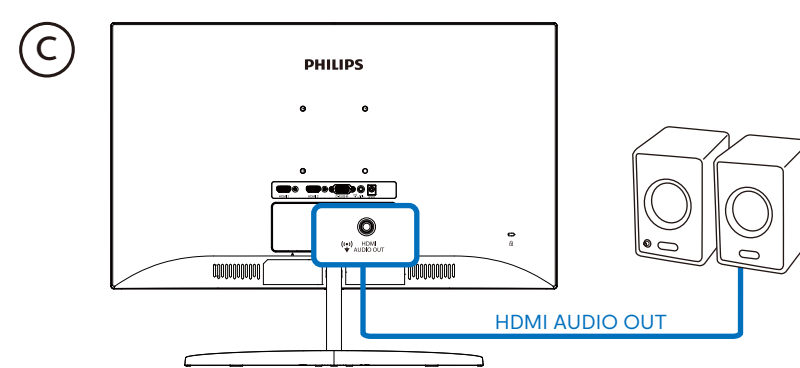
1



2



OR



3

