

GRAPHIC DEVELOPMENT MMD

Product name  
Project name QSG  
Project no.  
Finishing Folded sheet  
Scale 1:1  
Size Spreads 594 (W) x 210 (H) mm  
Size 148.5 (W) x 210 (H) mm

Operator(s)  
Date amended 2019

VERSION No. 1

APPROVAL

QC Lithographer  
Product Manager  
Date Check

ARTWORK DOCUMENT

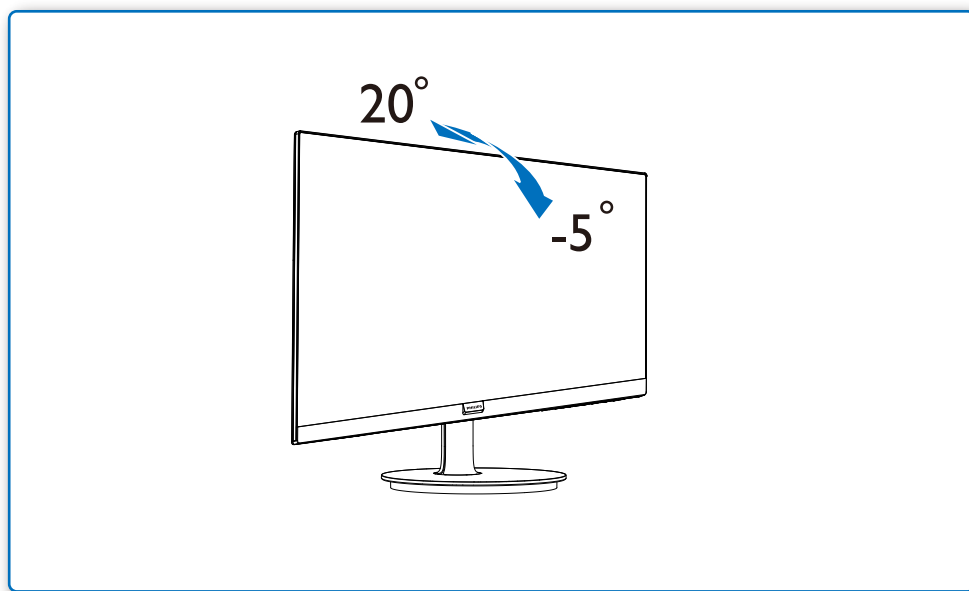
Paper 80gsm White, woodfree coated  
Numbers of colours 2Cx2C

Spotcolor

Aftertreatment

Cropping  
 Coating  
 Varnishing  
 Embossing  
 Cutterguide  
 Die-cut  
 Binding  
 Glue

4



**EN Need help?**  
Online help: [www.philips.com/support](http://www.philips.com/support)

**SC 需要帮助?**  
在线帮助: [www.philips.com/support](http://www.philips.com/support)

**FR Besoin d'Aide ?**  
Aide en ligne: [www.philips.com/support](http://www.philips.com/support)

**ES ¿Necesita ayuda?**  
Ayuda en línea: [www.philips.com/support](http://www.philips.com/support)

**DE Benötigen Sie Hilfe?**  
Online-Hilfe: [www.philips.com/support](http://www.philips.com/support)

**IT Avete bisogno di aiuto?**  
Guida in linea: [www.philips.com/support](http://www.philips.com/support)

**BR Precisa ajuda?**  
Ajuda online: [www.philips.com/support](http://www.philips.com/support)

**KO 도움이 필요하신가요?**  
온라인 도움말: [www.philips.com/support](http://www.philips.com/support)

**UK Потребуєте допомоги?**  
Підтримка он-лайн: [www.philips.com/support](http://www.philips.com/support)

**RU Нужна помощь?**  
Интерактивная справка:  
[www.philips.com/support](http://www.philips.com/support)

**TR Yardıma ihtiyacınız var mı?**  
Online yardım: [www.philips.com/support](http://www.philips.com/support)

**HI क्या सहायता की जरूरत है?**  
ऑनलाइन सहायता: [www.philips.com/support](http://www.philips.com/support)

**AR هل تريد المساعدة؟**  
[www.philips.com/support](http://www.philips.com/support)

**JP ヘルプが必要ですか?**  
オンラインヘルプ: [www.philips.com/support](http://www.philips.com/support)

Version: M824xVQ1T  
2019 © TOP Victory Investment Ltd. All rights reserved.

This product has been manufactured by and is sold under the responsibility of Top Victory Investments Ltd., and Top Victory Investments Ltd. is the warrantor in relation to this product. Philips and the Philips Shield Emblem are registered trademarks of Koninklijke Philips N.V. and are used under license.

Specifications are subject to change without notice.

[www.philips.com](http://www.philips.com)

**HDMI**

HDMI trademark and related patents on technologies belong to their respective owners.



Printed in China



Q41G24M1813----

**PHILIPS**

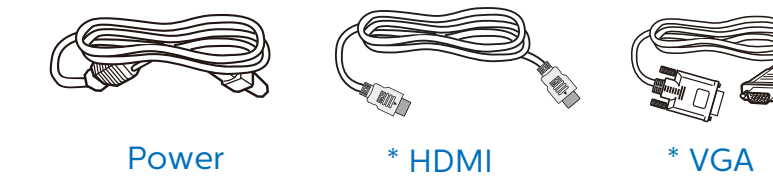
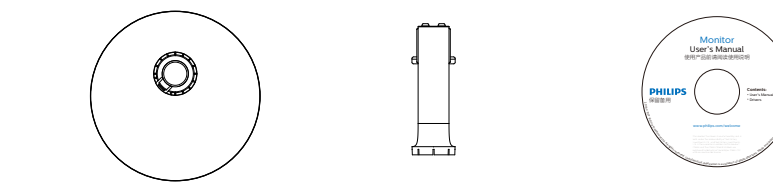
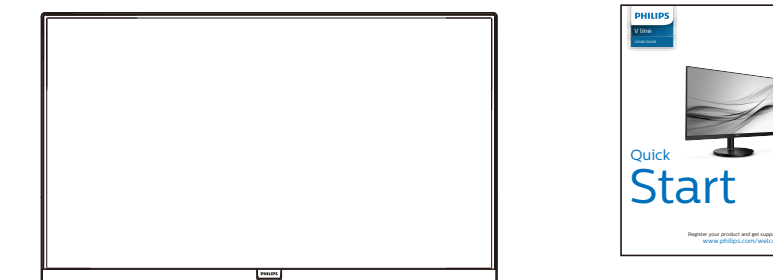
V line

241V8/242V8



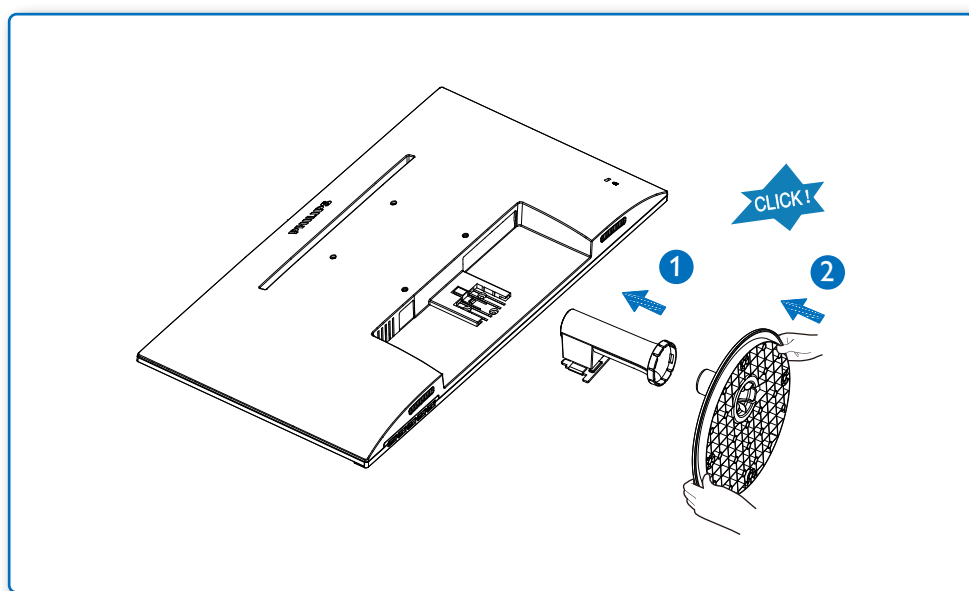
# Quick Start

Register your product and get support at  
[www.philips.com/welcome](http://www.philips.com/welcome)

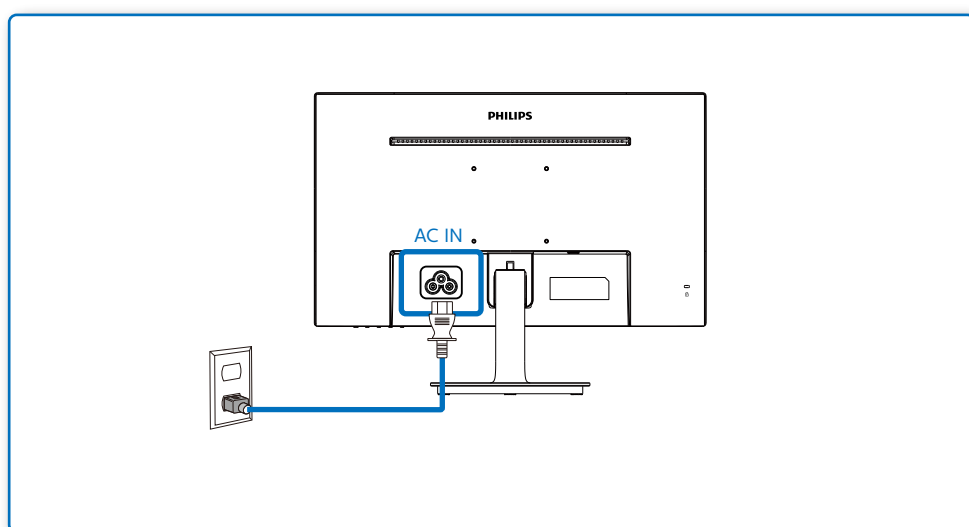


\*Different according to region  
Display design may differ from that illustrated

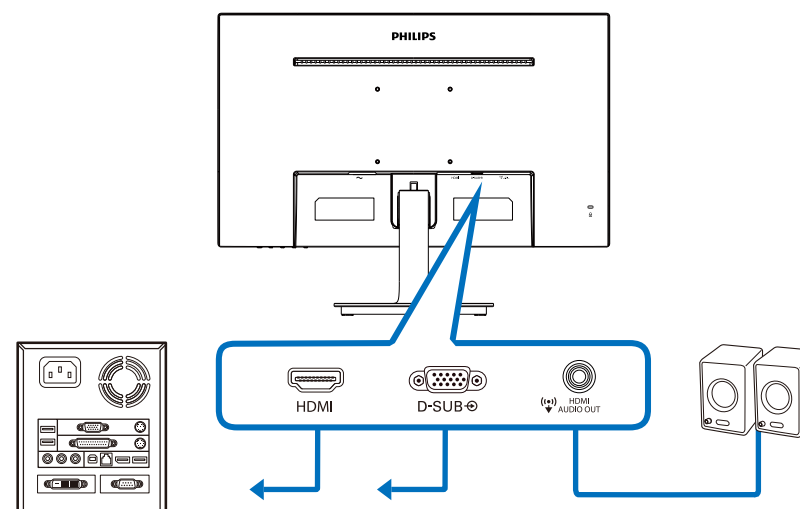
1



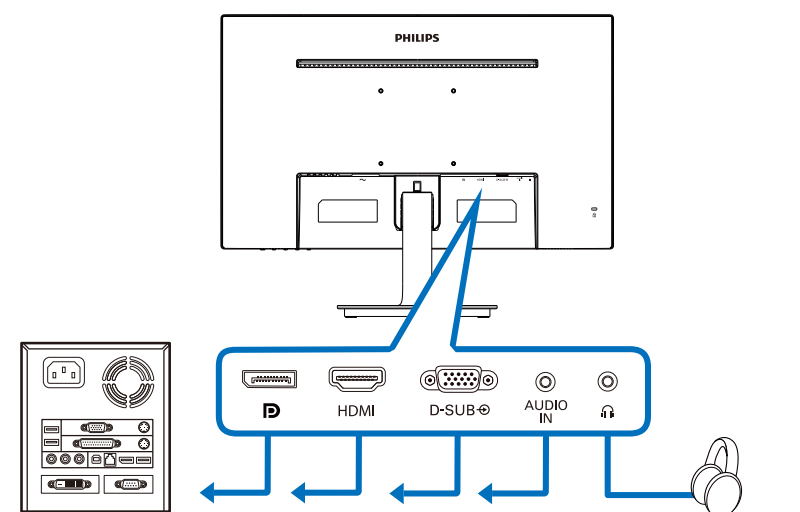
2



241V8



242V8



3

