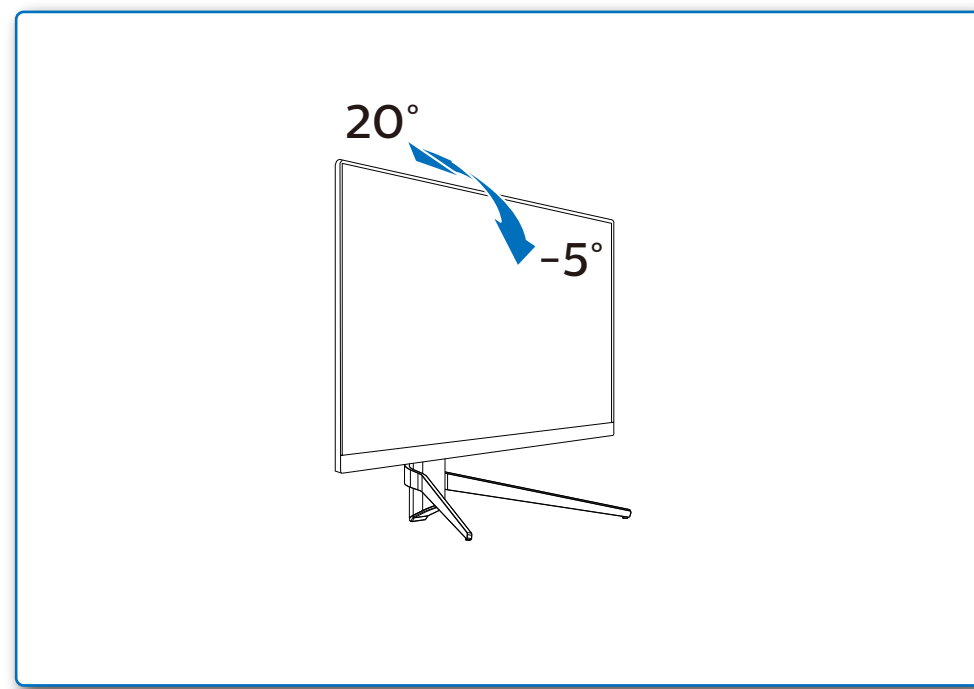


| | |
|--------------------------------------|------------------------------|
| GRAPHIC DEVELOPMENT MMD | |
| Product name | |
| Project name | |
| Project no. | |
| Finishing | Folded sheet |
| Scale | 1:1 |
| Size Spreads | 594 (W) x 210 (H) mm |
| Size | 148.5 (W) x 210 (H) mm |
| Operator(s) | |
| Date amended | |
| VERSION No. | 13 |
| APPROVAL | |
| QC Lithographer | |
| Product Manager | |
| Date Check | |
| ARTWORK DOCUMENT | |
| Paper | 80gsm White, woodfree coated |
| Numbers of colours | 2C+2C |
| Pantone 300c | |
| Spotcolor | |
| Aftertreatment | |
| <input type="checkbox"/> Cropping | |
| <input type="checkbox"/> Coating | |
| <input type="checkbox"/> Varnishing | |
| <input type="checkbox"/> Embossing | |
| <input type="checkbox"/> Cutterguide | |
| <input type="checkbox"/> Die-cut | |
| <input type="checkbox"/> Binding | |
| <input type="checkbox"/> Glue | |

4



EN Need help?

Online help: www.philips.com/support

SC 需要帮助?

在线帮助: www.philips.com/support

FR Besoin d'Aide ?

Aide en ligne: www.philips.com/support

ES ¿Necesita ayuda?

Ayuda en línea: www.philips.com/support

DE Benötigen Sie Hilfe?

Online-Hilfe: www.philips.com/support

IT Avete bisogno di aiuto?

Guida in linea: www.philips.com/support

BR Precisa ajuda?

Ajuda online: www.philips.com/support

KO 도움이 필요하신가요?

온라인 도움말: www.philips.com/support

UK Потребуете допомоги?

Підтримка он-лайн: www.philips.com/support

RU Нужна помощь?

Интерактивная справка: www.philips.com/support

TR Yardıma ihtiyacınız var mı?

Online yardım: www.philips.com/support

HI क्या सहायता की जरूरत है?

ऑनलाईन सहायता: www.philips.com/support

AR هل تريد المساعدة؟

www.philips.com/support للمساعدة عبر الإنترنت.

JP ヘルプが必要ですか?

オンラインヘルプ: www.philips.com/support

Version: 242M8Q1T

2019 © TOP Victory Investment Ltd. All rights reserved.

This product has been manufactured by and is sold under the responsibility of Top Victory Investments Ltd., and Top Victory Investments Ltd. is the warrantor in relation to this product. Philips and the Philips Shield Emblem are registered trademarks of Koninklijke Philips N.V. and are used under license.

Specifications are subject to change without notice.

www.philips.com

HDMI

HDMI trademark and related patents on technologies belong to their respective owners.



Printed in China



H41G785281315A

PHILIPS

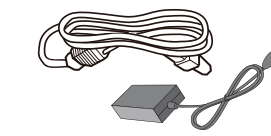
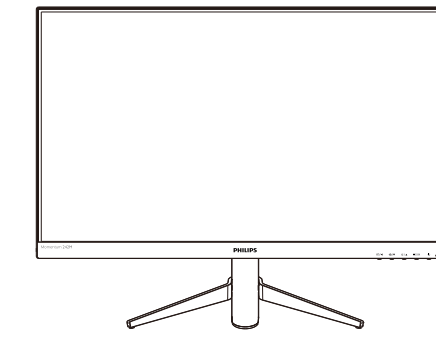
Momentum

242M8

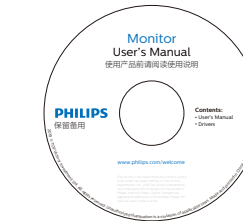


Quick Start

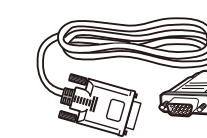
Register your product and get support at www.philips.com/welcome



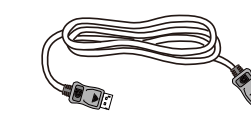
AC/DC Adapter



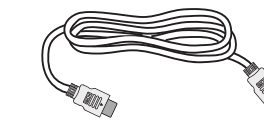
* CD



* VGA



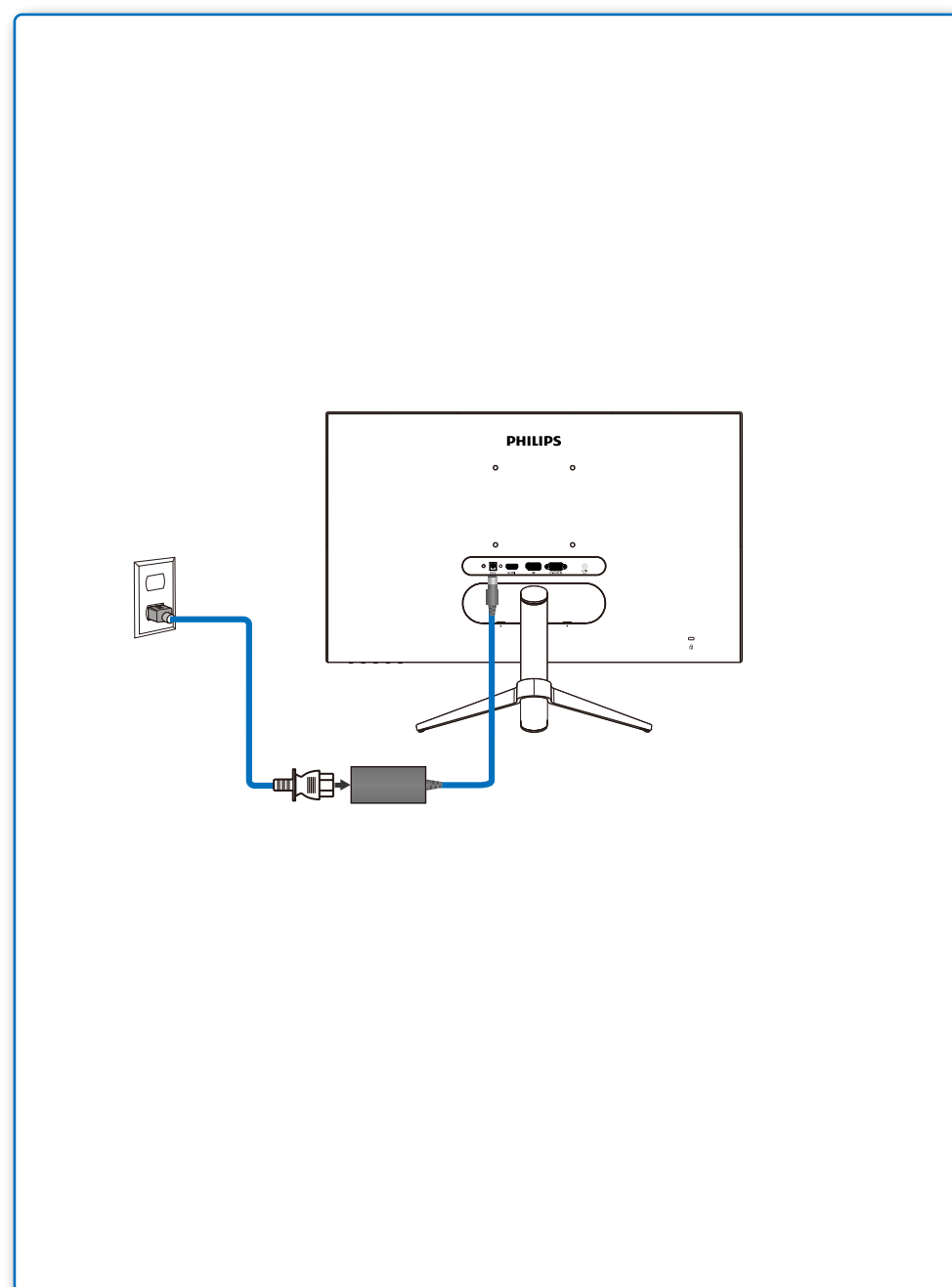
* DP



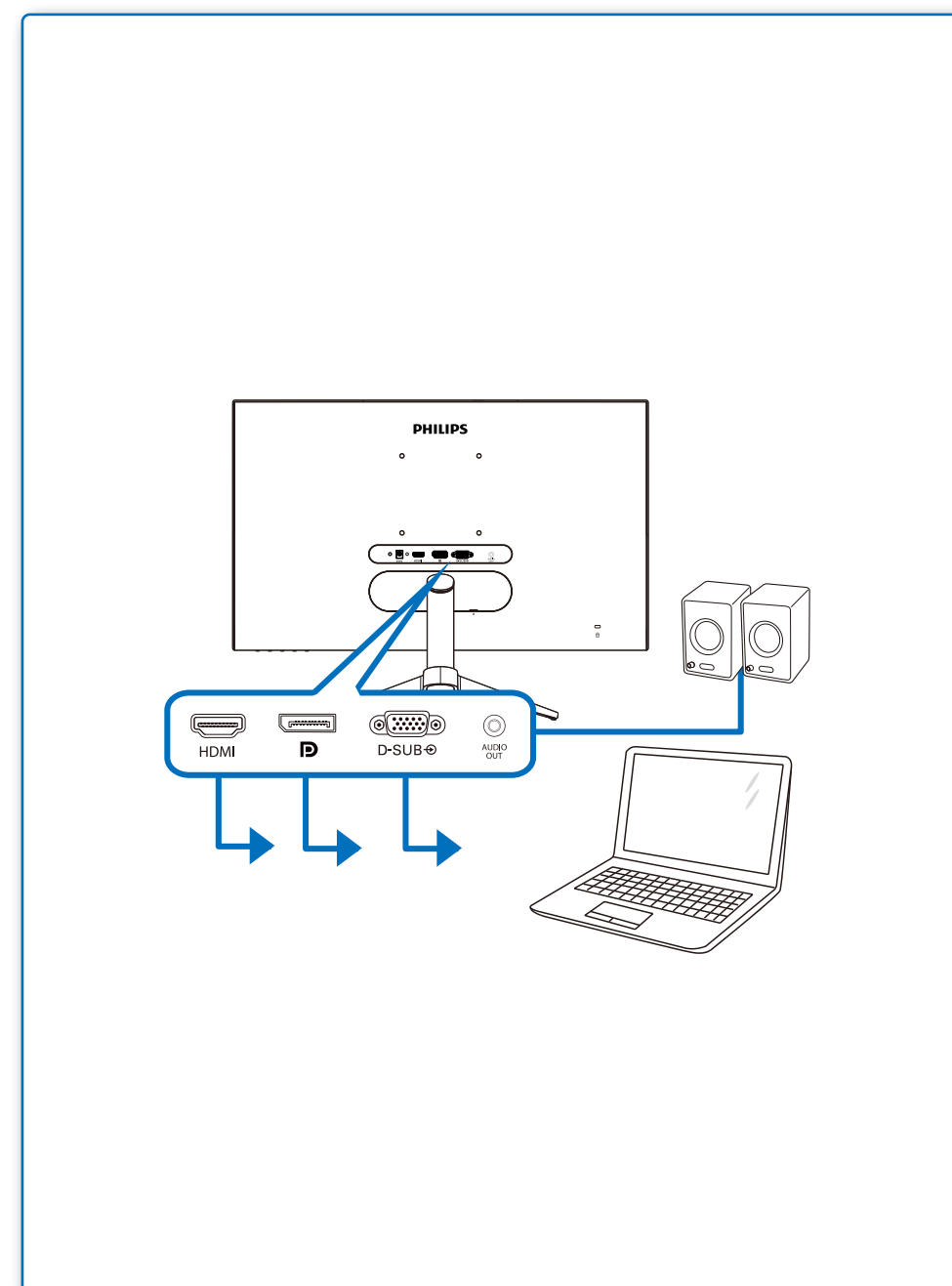
* HDMI

* Different according to region. Display design may differ from those illustrated.

1



2



3

