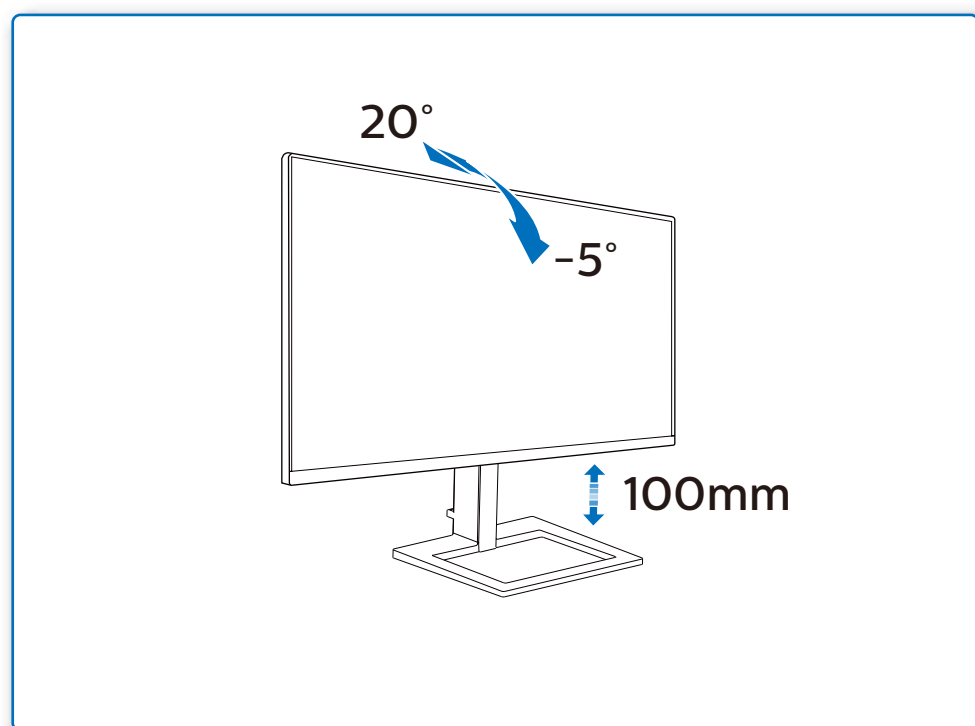
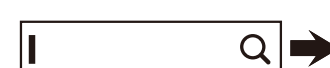


4



Register your product and get support at www.philips.com/support



FAQ



Software SmartControl



User Manual

Version: M1243EQ1WWT
2021 © TOP Victory Investments Ltd. All rights reserved.

This product has been manufactured by and is sold under the responsibility of Top Victory Investments Ltd., and Top Victory Investments Ltd. is the warrantor in relation to this product. Philips and the Philips Shield Emblem are registered trademarks of Koninklijke Philips N.V. and are used under license.

Specifications are subject to change without notice.

HDMI

The terms HDMI, HDMI High-Definition Multimedia Interface, and the HDMI Logo are trademarks or registered trademarks of HDMI Licensing Administrator, Inc.

www.philips.com



Printed in China



H41G785381302B

PHILIPS

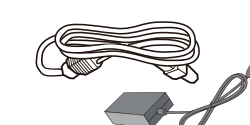
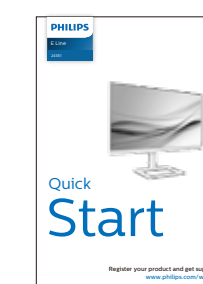
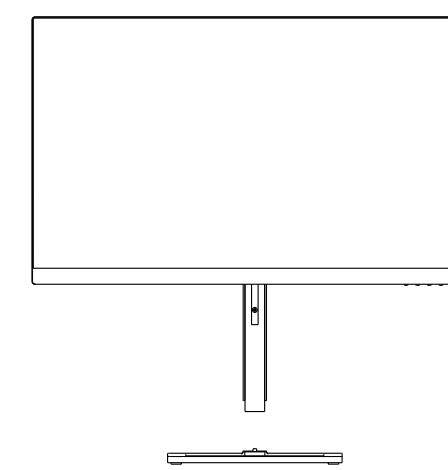
E Line

243E1

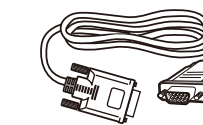


Quick Start

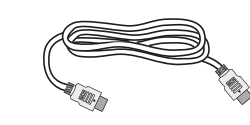
Register your product and get support at www.philips.com/welcome



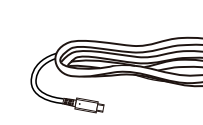
AC/DC Adapter



* VGA



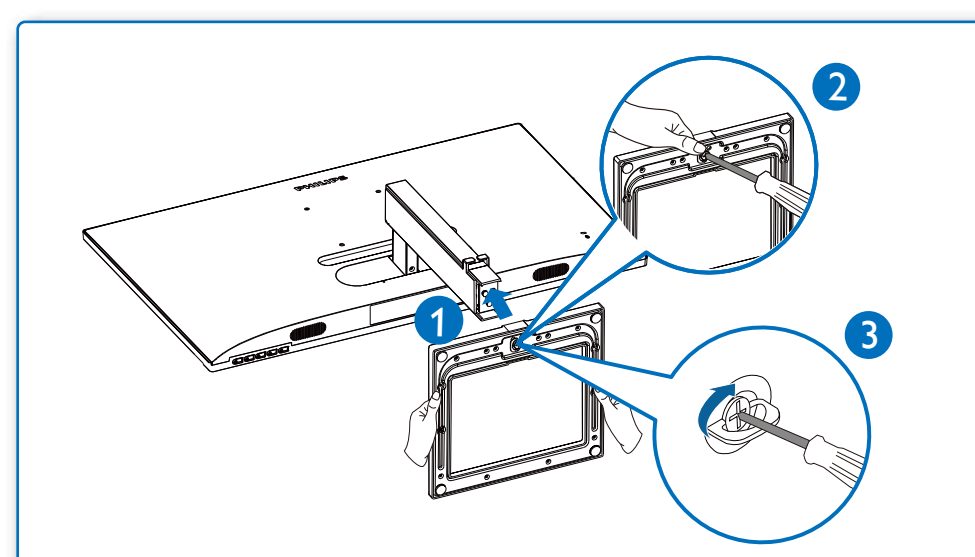
* HDMI



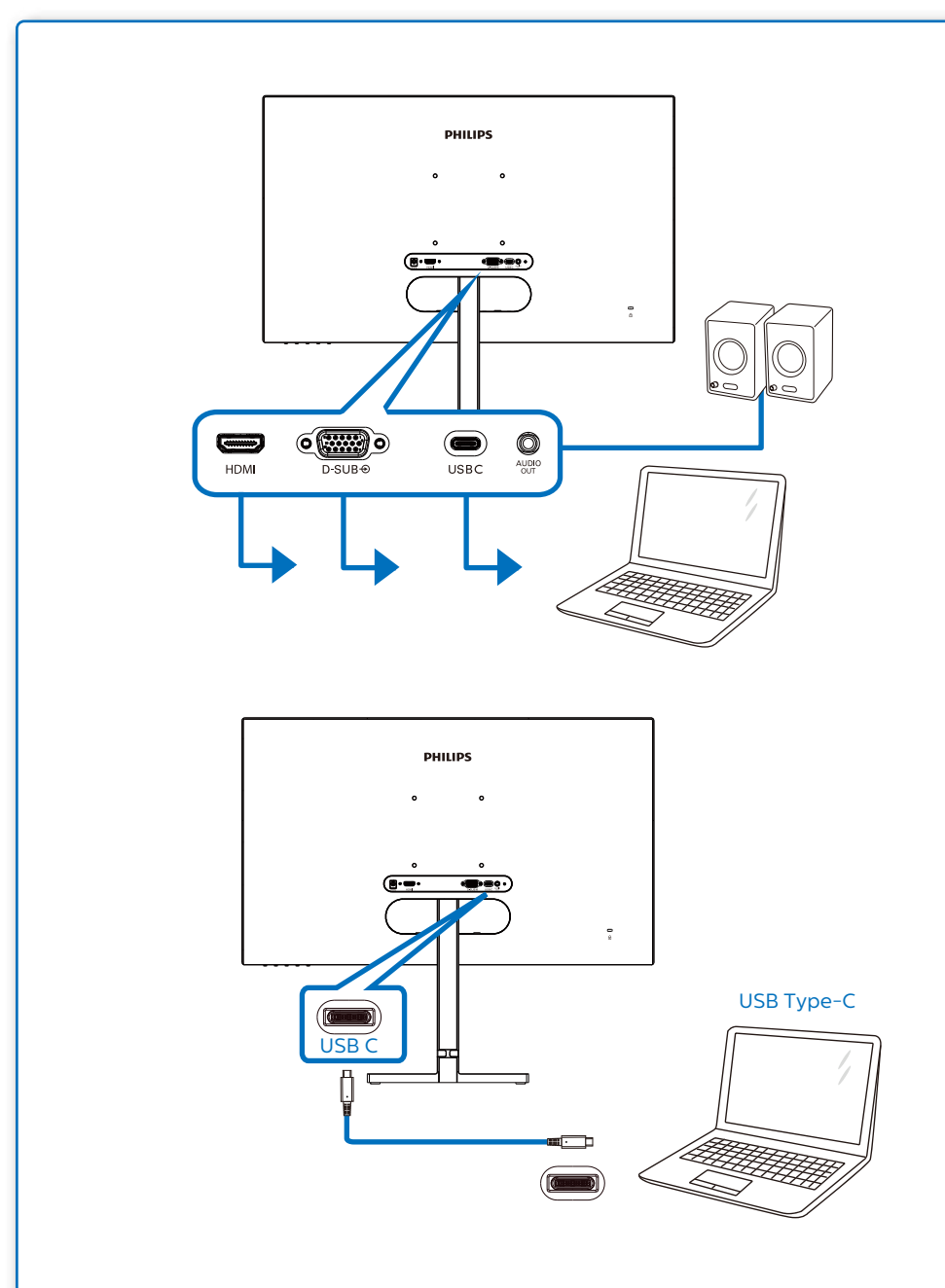
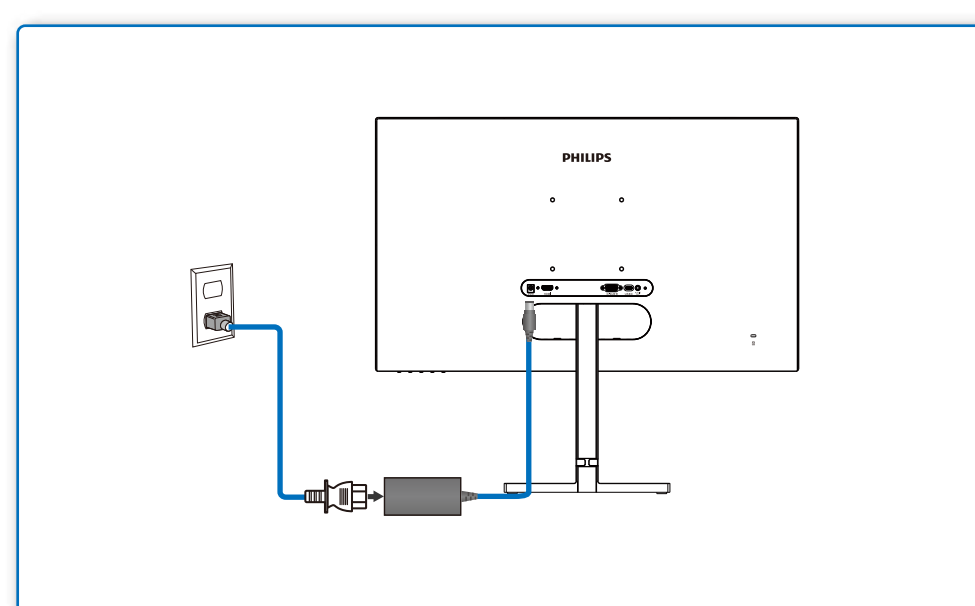
*USB C-C

* Different according to region.
Display design may differ from those illustrated.

1



2



3

