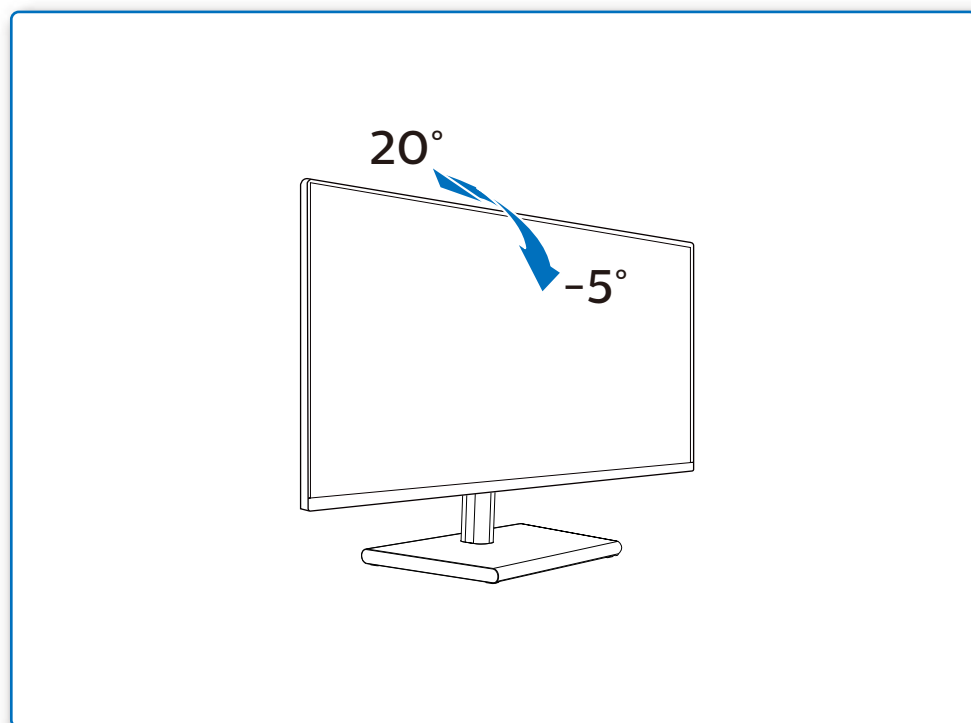
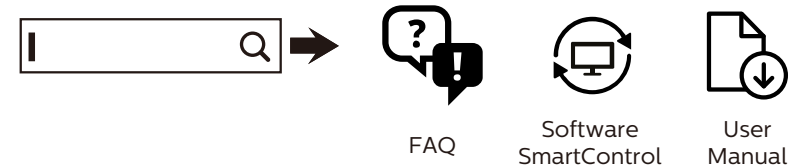


4



Register your product and get support at [www.philips.com/support](http://www.philips.com/support)



Version: M127IESQIWWT  
2020 © TOP Victory Investments Ltd. All rights reserved.

This product has been manufactured by and is sold under the responsibility of Top Victory Investments Ltd., and Top Victory Investments Ltd. is the warrantor in relation to this product. Philips and the Philips Shield Emblem are registered trademarks of Koninklijke Philips N.V. and are used under license.

Specifications are subject to change without notice.

**HDMI**

The terms HDMI, HDMI High-Definition Multimedia Interface, and the HDMI Logo are trademarks or registered trademarks of HDMI Licensing Administrator, Inc.

[www.philips.com](http://www.philips.com)

Energy Labelling

271E1SD 272E1SA



Printed in China



H41G78S281316E

**PHILIPS**

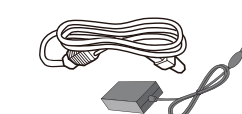
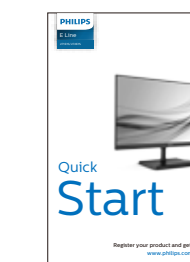
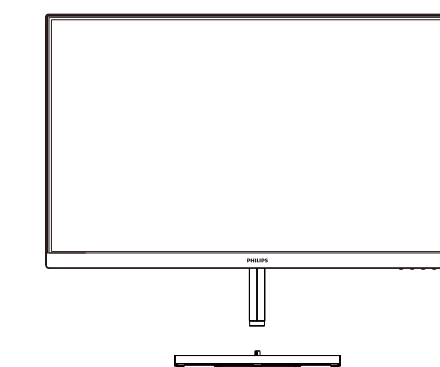
E Line

271E1S/272E1S

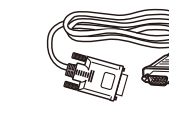


# Quick Start

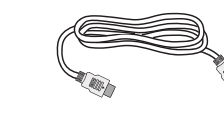
Register your product and get support at [www.philips.com/welcome](http://www.philips.com/welcome)



AC/DC Adapter



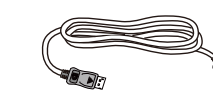
\* VGA



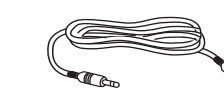
\* HDMI



\* DVI(271E1SD)



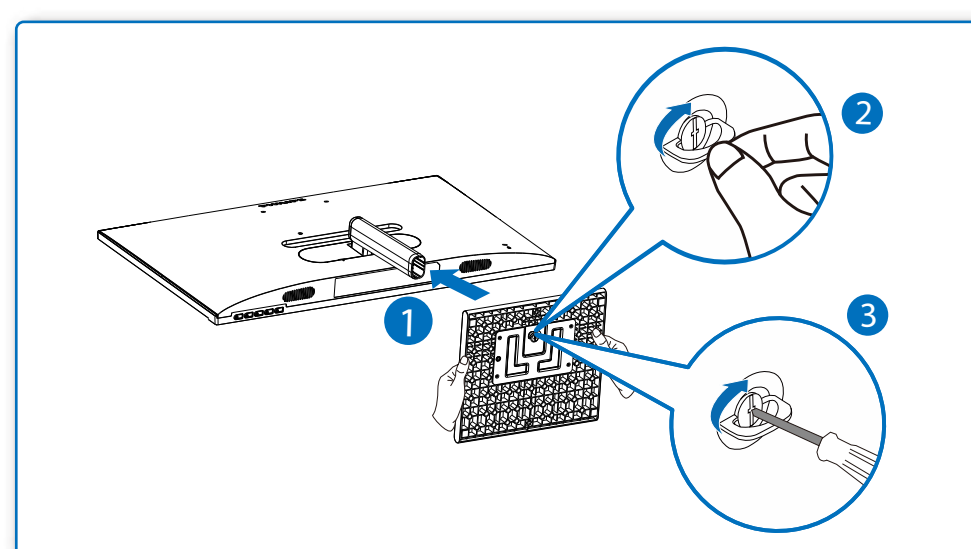
\* DP(272E1SA)



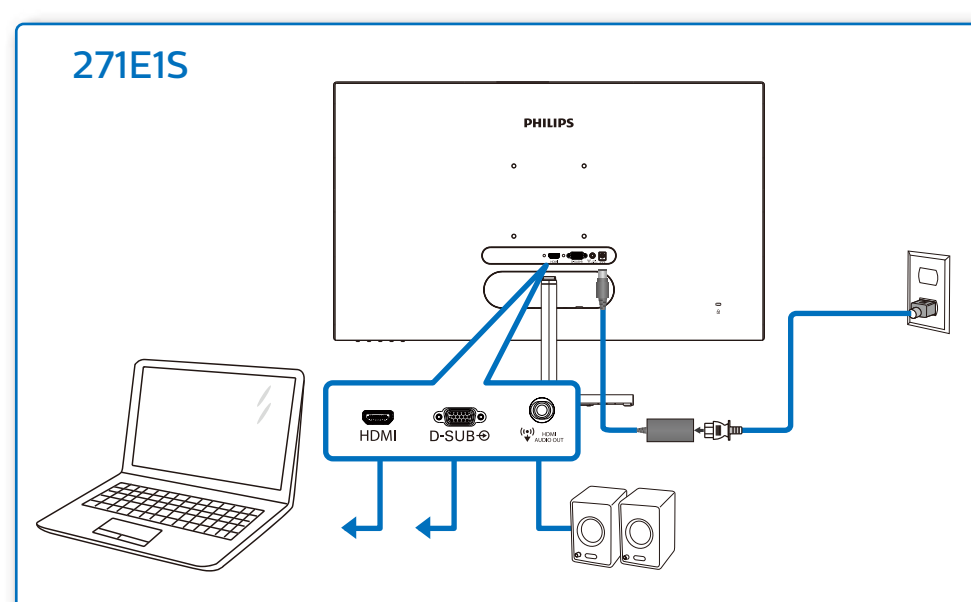
\* Audio(272E1SA)

\* Different according to region.  
Display design may differ from those illustrated.

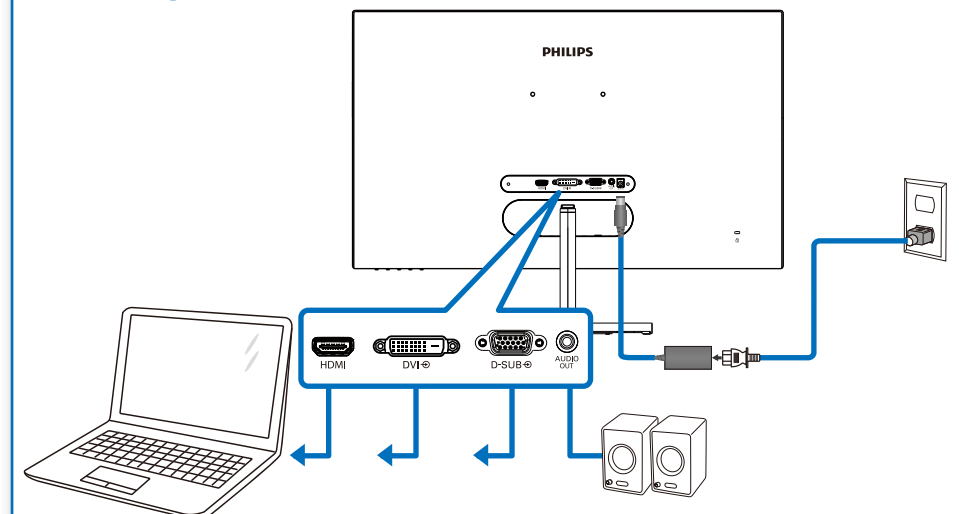
1



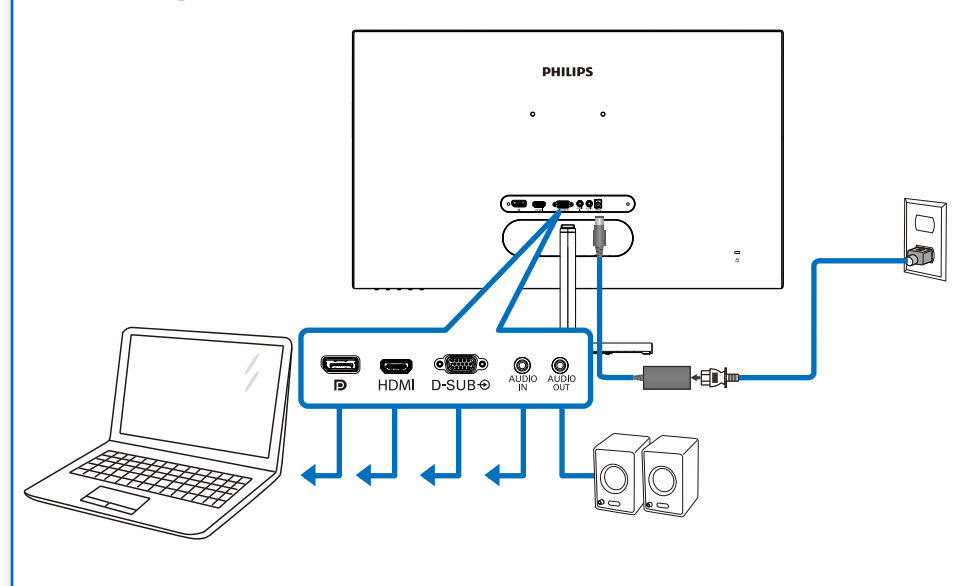
2



271E1SD



272E1SA



3

