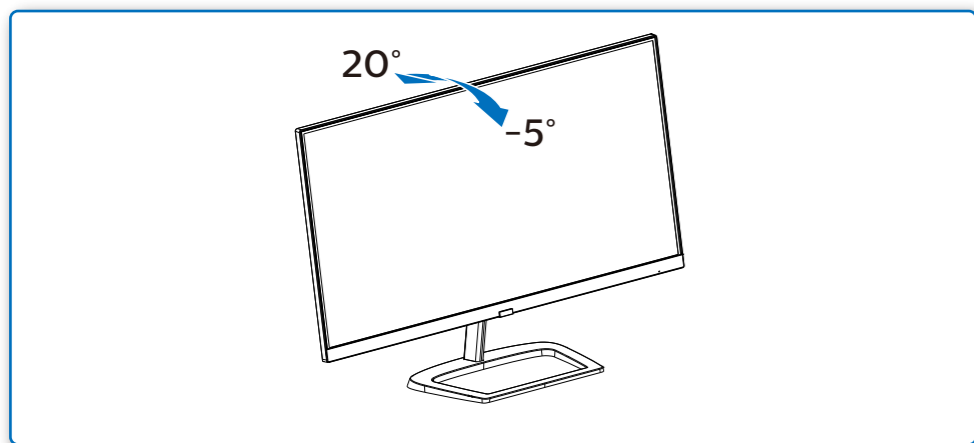


4



**PHILIPS**

Register your product and get support at [www.philips.com/support](http://www.philips.com/support)

Version: M9276EQ1WWT  
© 2018 Koninklijke Philips N.V. All rights reserved.

This product was manufactured and brought to the market by or on behalf of Top Victory Investments Ltd. or one of its affiliates. Top Victory Investments Ltd. is the warrantor in relation to this product. Philips and the Philips Shield Emblem are registered trademarks of Koninklijke Philips N.V. used under license.

Specifications are subject to change without notice.

**HDMI**  
The terms HDMI, HDMI High-Definition Multimedia Interface, and the HDMI Logo are trademarks or registered trademarks of HDMI Licensing Administrator, Inc.

[www.philips.com](http://www.philips.com)

Energy Labelling

276E9QDSB    276E9QSB    276E9QJAB

Printed in China

H41G78S181380F

**PHILIPS**  
E Line  
276E9



# Quick Start

Register your product and get support at [www.philips.com/welcome](http://www.philips.com/welcome)

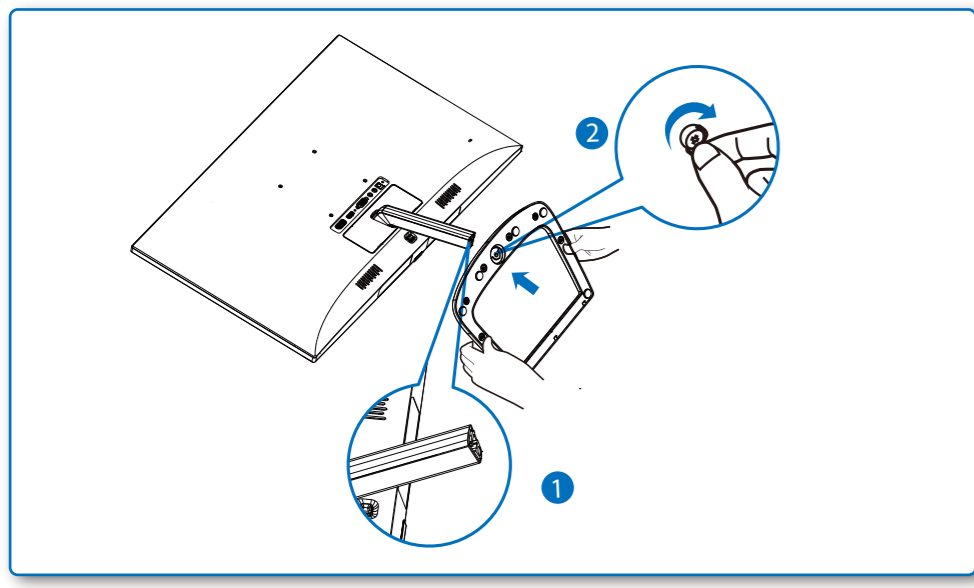


AC/DC Adapter    \* DP    \* Audio cable

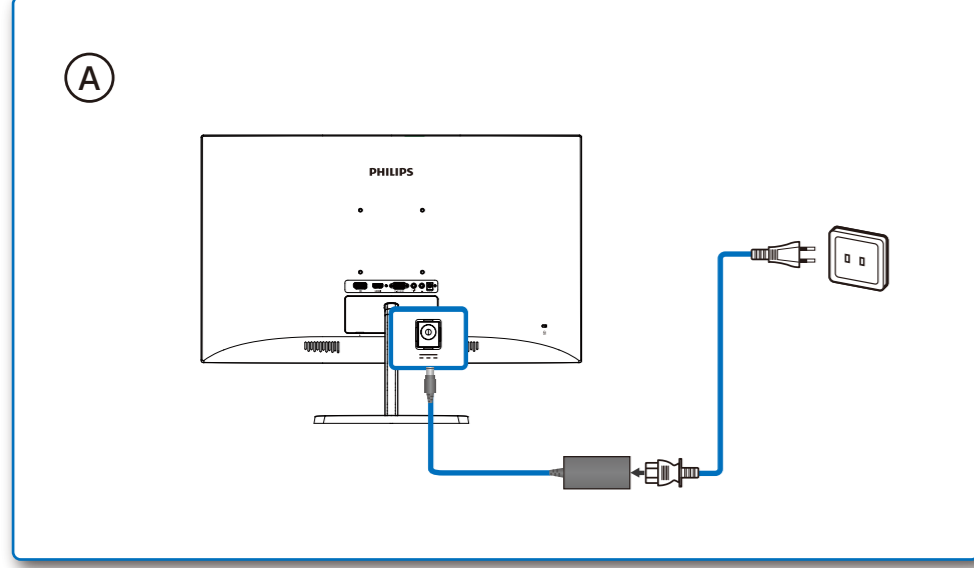
\* VGA    \* HDMI    \* DVI

\* Different according to region.  
Display design may differ from those illustrated.

1



2



**B**

276E9QJA/276E9QDS/276E9QHS

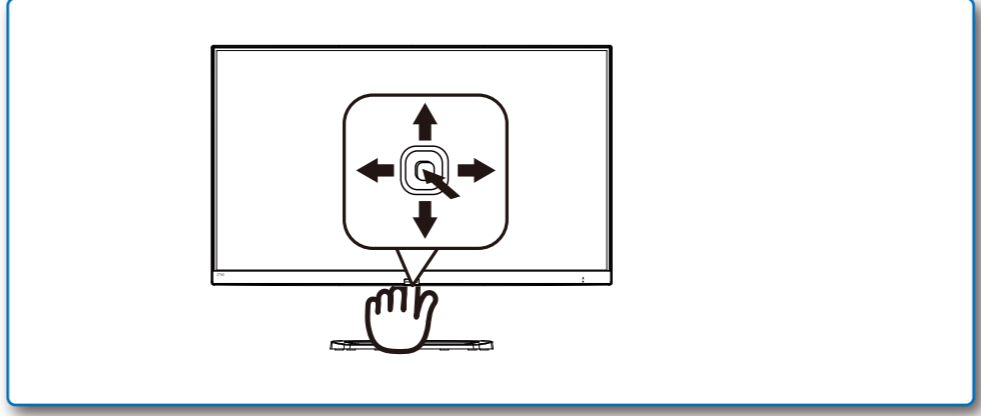
276E9QDS/276E9QS

276E9QJA

**C** 276E9QJA

276E9QDS/276E9QHS

3



SmartImage

276E9QJA/276E9QDS/276E9QHS

276E9QS

276E9QJA

276E9QDS

276E9QHS

276E9QS

276E9QJA

276E9QDS/276E9QHS/276E9QS