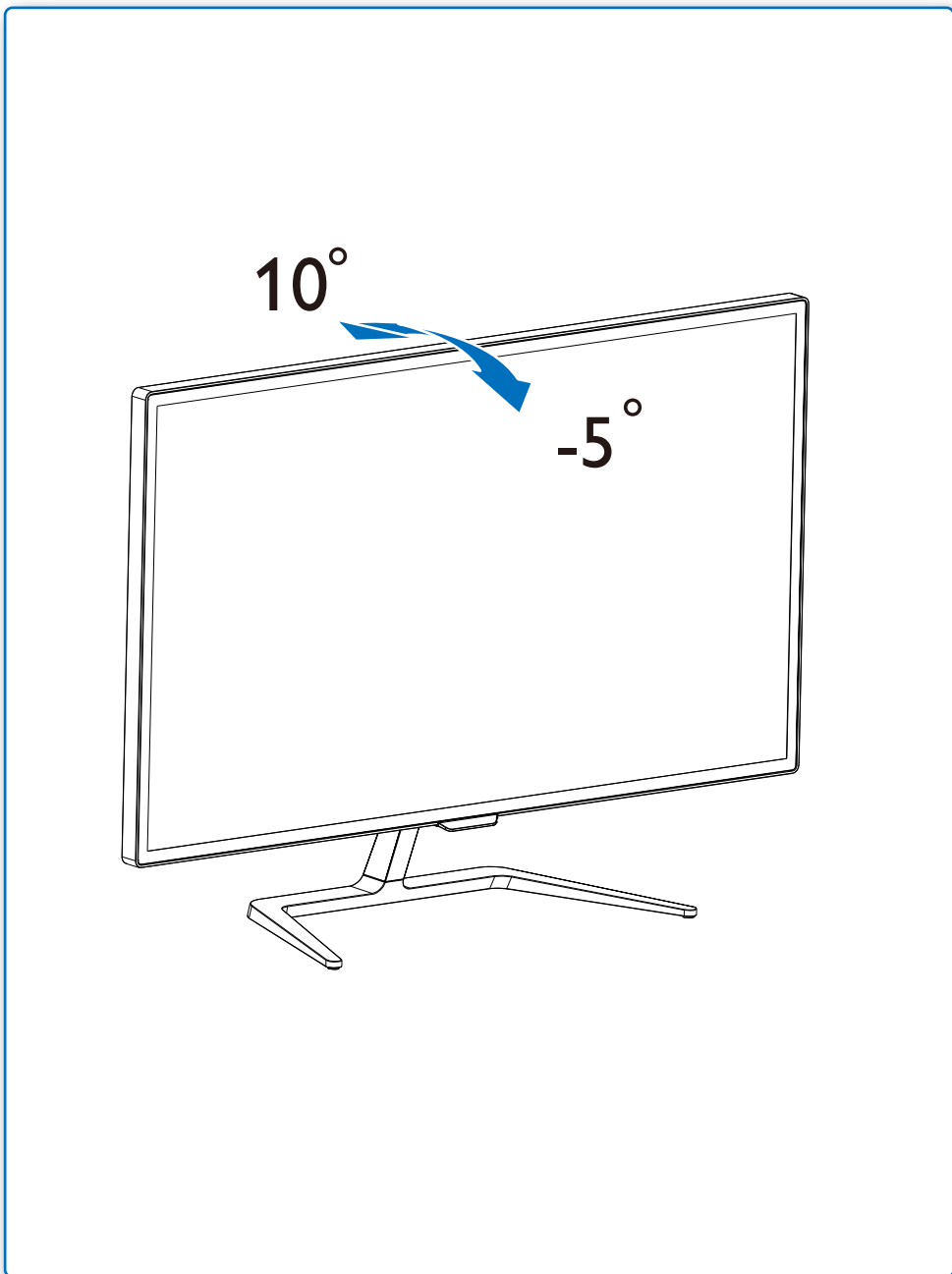


GRAPHIC DEVELOPMENT MMD	
Product name	323E7-QSG
Project name	323E7-QSG
Project no.	
Finishing	Folded sheet
Scale	1:1
Size Spreads	594 (W) x 210 (H) mm
Size	148.5 (W) x 210 (H) mm
Operator(s)	
Date amended	Aug. 11, 2015
VERSION No.	13
APPROVAL	
QC Lithographer	
Product Manager	
Date Check	
ARTWORK DOCUMENT	
Paper	80gsm White, woodfree coated
Numbers of colours	2C&2C
Spotcolor	
Aftertreatment	
<input type="checkbox"/> Cropping	
<input type="checkbox"/> Coating	
<input type="checkbox"/> Varnishing	
<input type="checkbox"/> Embossing	
<input type="checkbox"/> Cutterguide	
<input type="checkbox"/> Die-cut	
<input type="checkbox"/> Binding	
<input type="checkbox"/> Glue	

4



- Need help?
Online help: www.philips.com/support
- 需要帮助?
在线帮助: www.philips.com/support
- Besoin d'Aide ?
Aide en ligne: www.philips.com/support
- ¿Necesita ayuda?
Ayuda en línea: www.philips.com/support
- Benötigen Sie Hilfe?
Online-Hilfe: www.philips.com/support
- Avete bisogno di aiuto?
Guida in linea: www.philips.com/support
- Потребуєте допомоги?
Підтримка он-лайн: www.philips.com/support
- Нужна помощь?
Интерактивная справка: www.philips.com/support
- 도움이 필요하십니까?
온라인 도움말: www.philips.com/support
- ヘルプが必要ですか?
オンラインヘルプ: www.philips.com/support
- Yardıma mı ihtiyacınız var?
Online yardım: www.philips.com/support
- Precisa de ajuda?
Ajuda online: www.philips.com/support
- मदद चाहिए?
ऑनलाइन मदद: www.philips.com/support
- هل تريد المساعدة?
www.philips.com/support

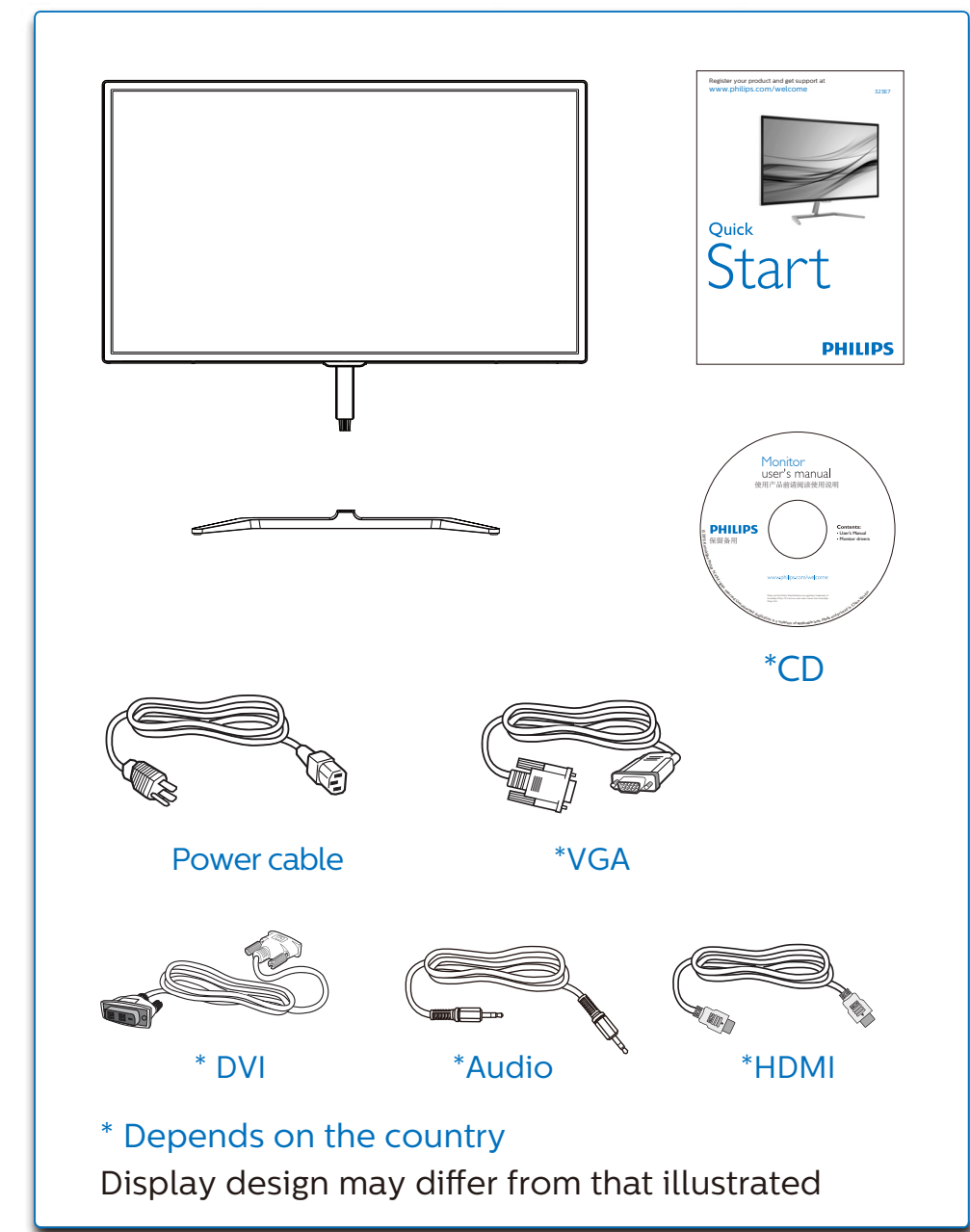
Version: 323E7Q1WWL
© 2016 Koninklijke Philips N.V. All rights reserved.
Specifications are subject to change without notice.
Philips and the Philips Shield Emblem are registered trademarks of Koninklijke Philips N.V. and are used under license from Koninklijke Philips N.V.
www.philips.com



Register your product and get support at
www.philips.com/welcome

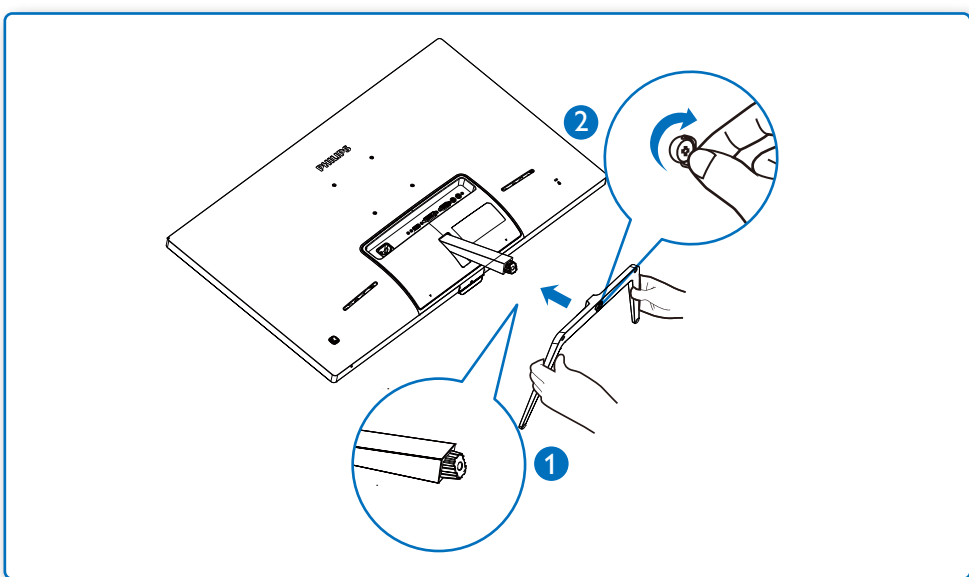
323E7

Quick Start

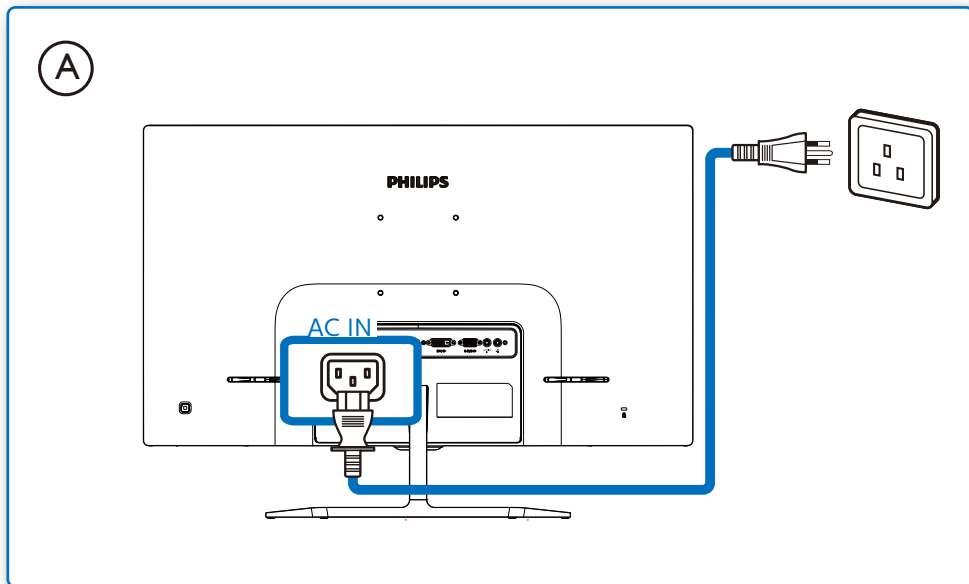


* Depends on the country
Display design may differ from that illustrated

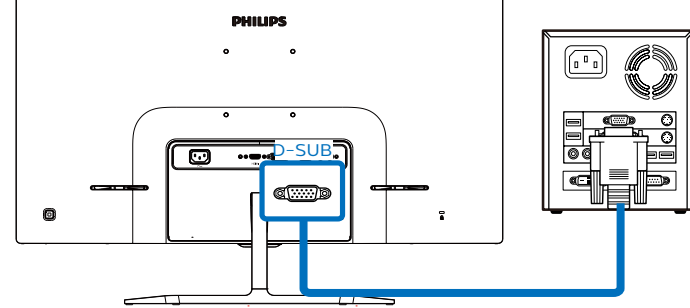
1



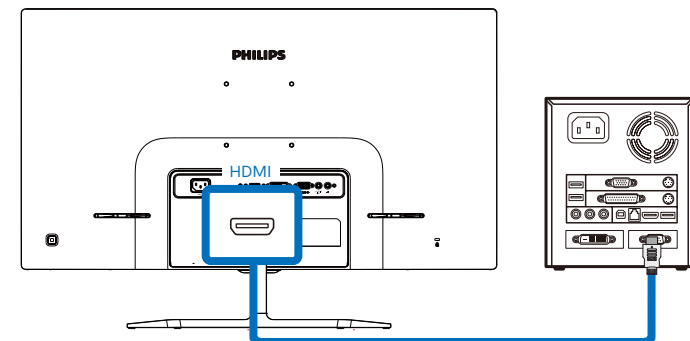
2



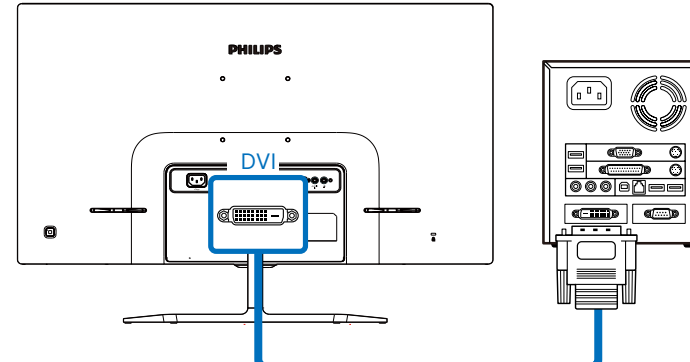
B



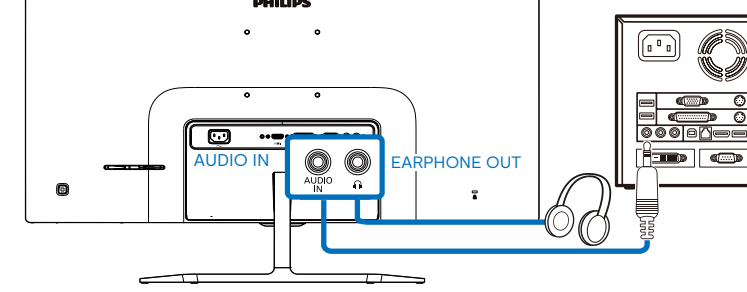
or



or



C



3

