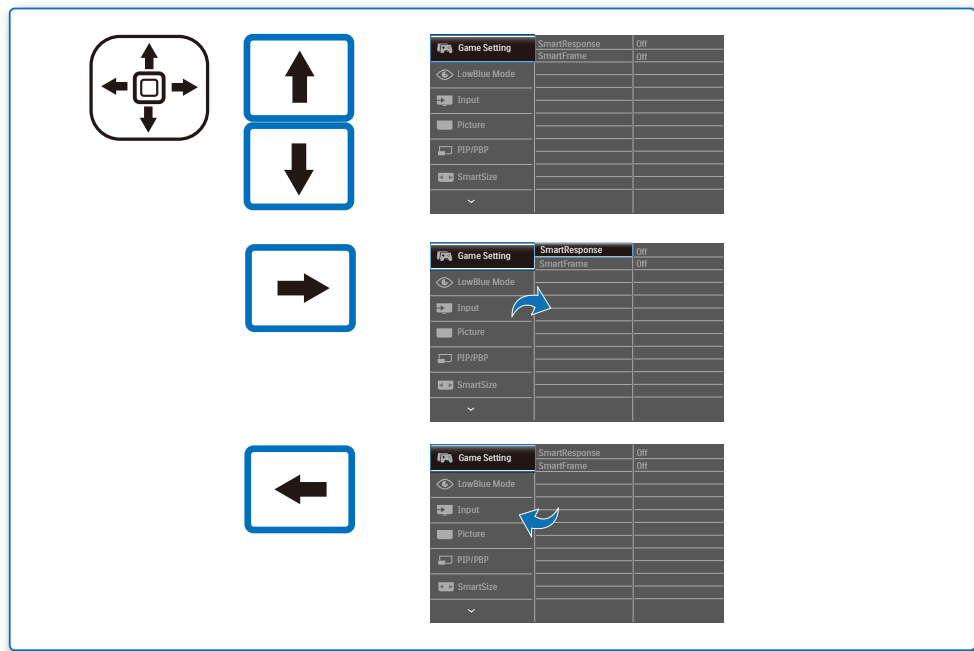
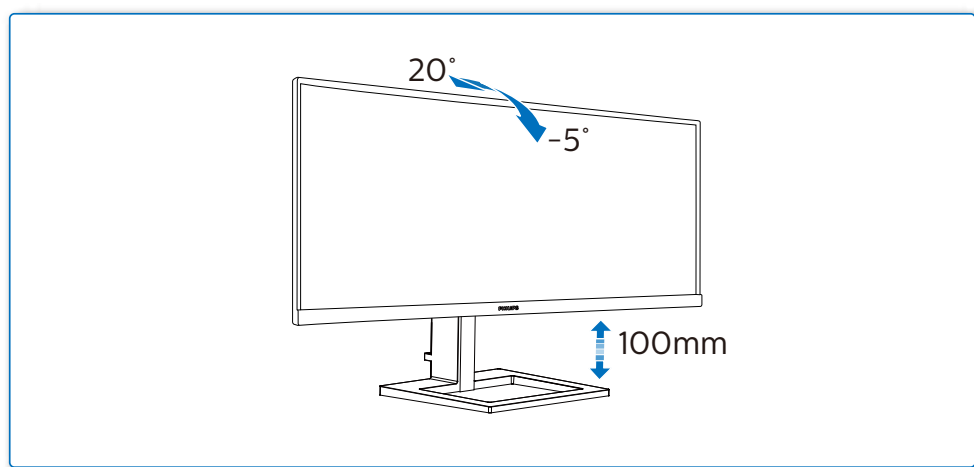


3



4



**PHILIPS**  
E Line  
345E2

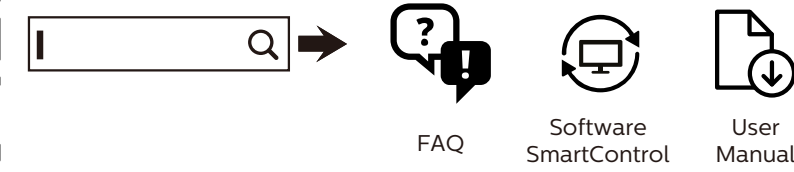


# Quick Start

Register your product and get support at [www.philips.com/welcome](http://www.philips.com/welcome)



Register your product and get support at [www.philips.com/support](http://www.philips.com/support)



Version: M2345EEQ1T  
2020 © TOP Victory Investments Ltd. All rights reserved.

This product has been manufactured by and is sold under the responsibility of Top Victory Investments Ltd., and Top Victory Investments Ltd. is the warrantor in relation to this product. Philips and the Philips Shield Emblem are registered trademarks of Koninklijke Philips N.V. and are used under license.

Specifications are subject to change without notice.

**HDMI**

The terms HDMI, HDMI High-Definition Multimedia Interface, and the HDMI Logo are trademarks or registered trademarks of HDMI Licensing Administrator, Inc.

[www.philips.com](http://www.philips.com)

Energy Labelling

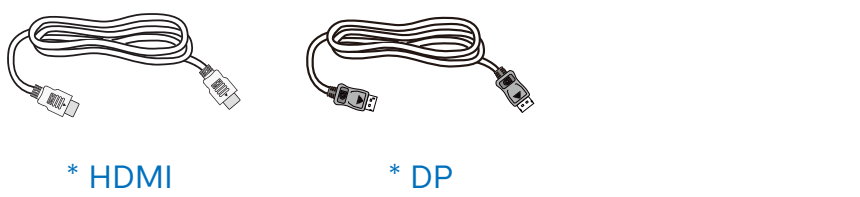
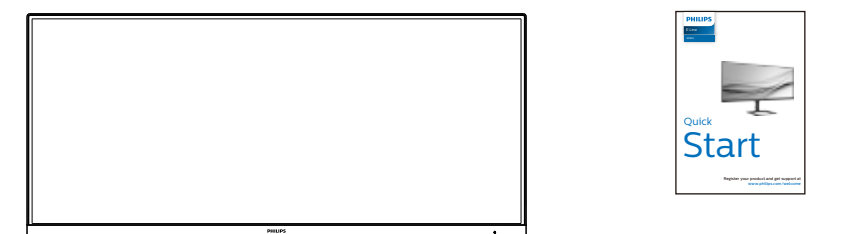
345E2AE



Printed in China

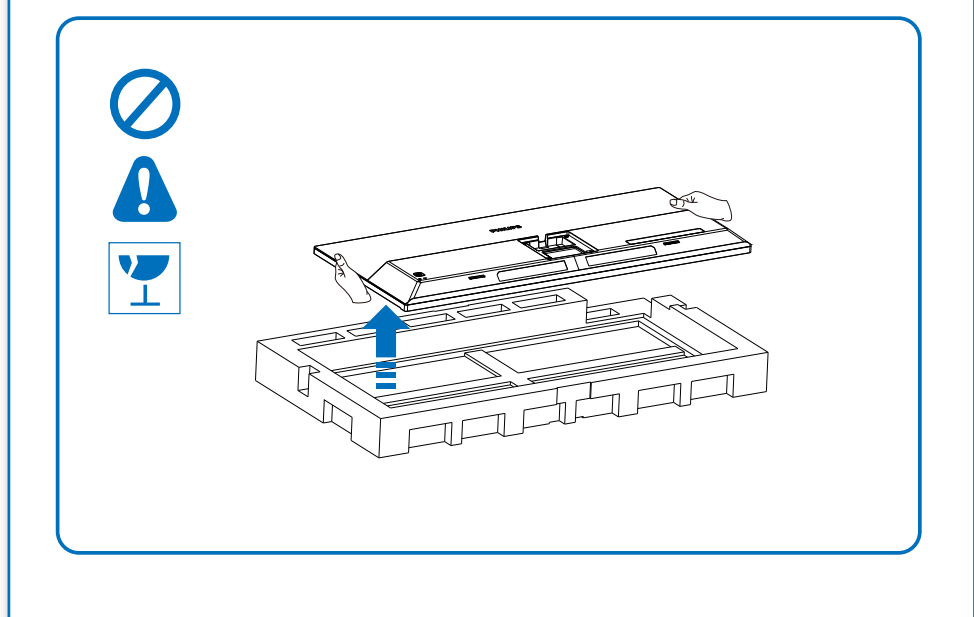
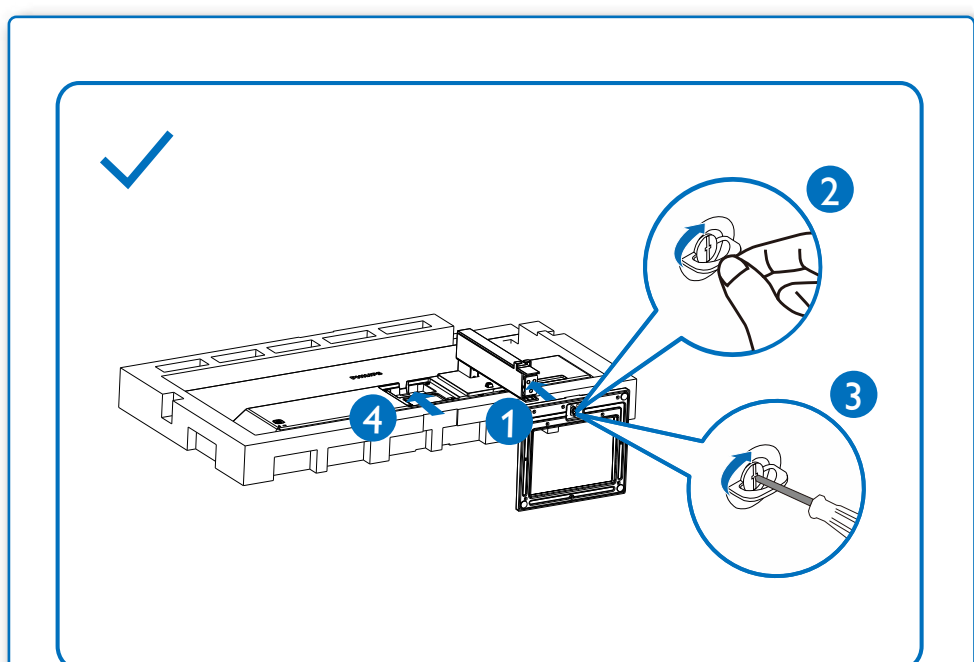


H41G785281366C

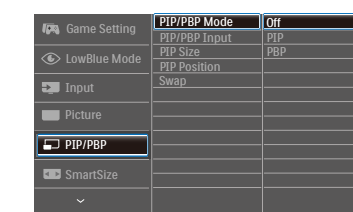
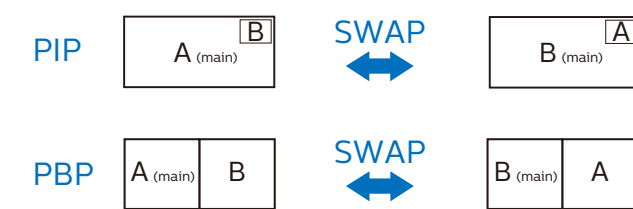
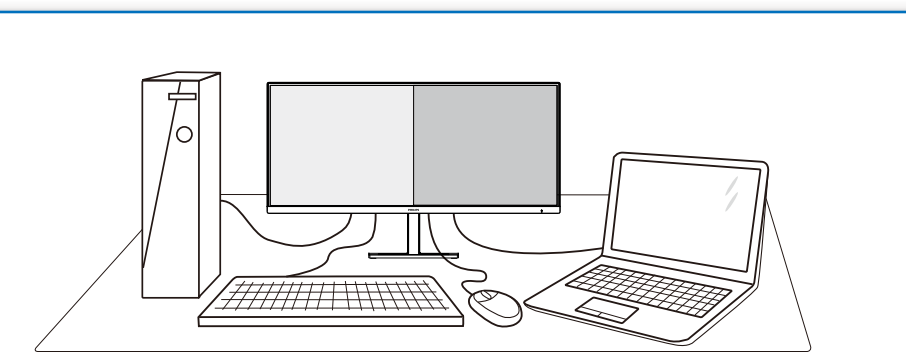
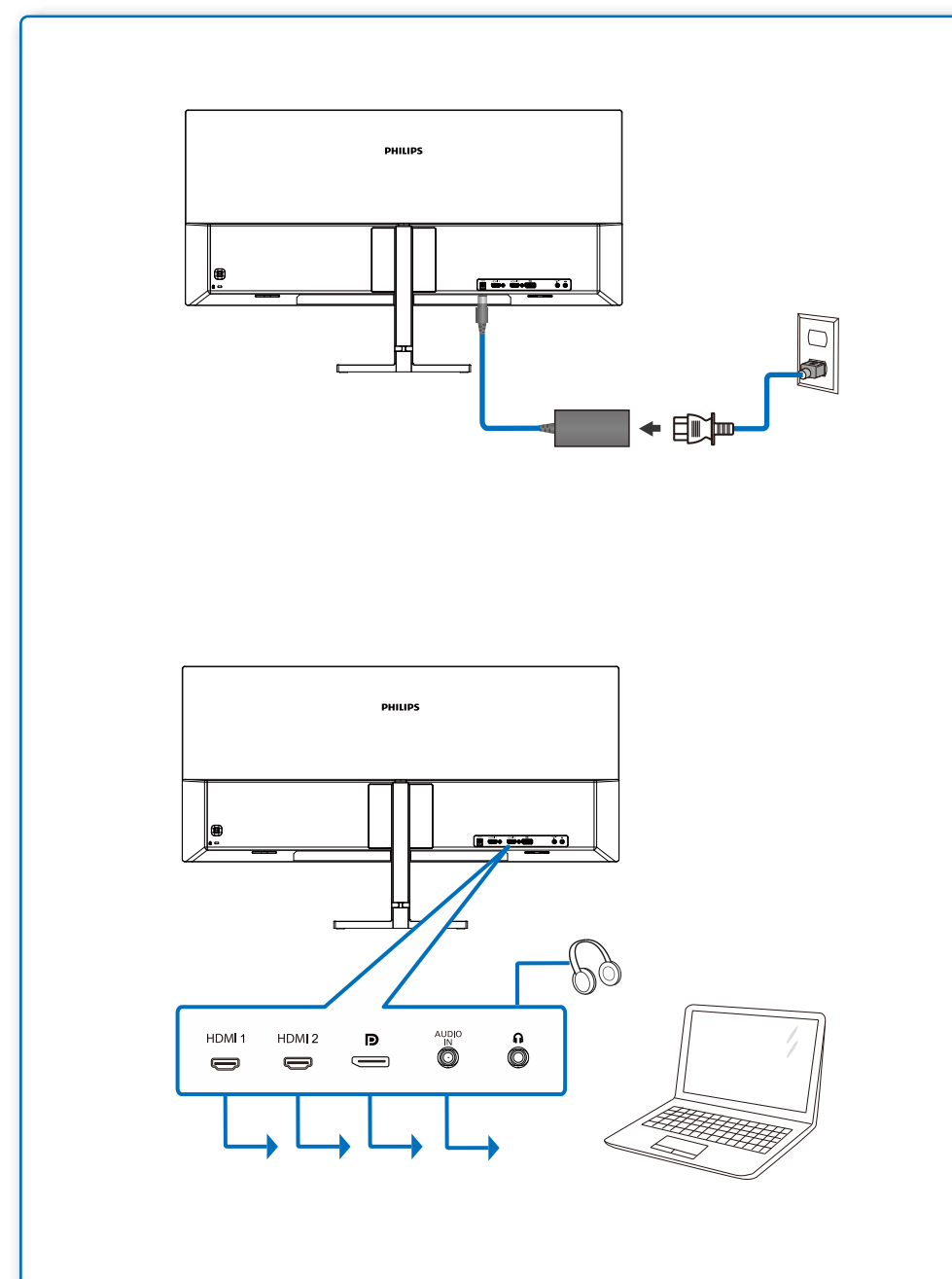


\* Different according to region.  
Display design may differ from those illustrated.

1



2



MultiView	Inputs	SUB SOURCE POSSIBILITY (x1)		
		HDMI 1	HDMI 2	DisplayPort
MAIN SOURCE (x1)	HDMI 1	•		•
	HDMI 2		•	•
	DisplayPort	•	•	•

3

