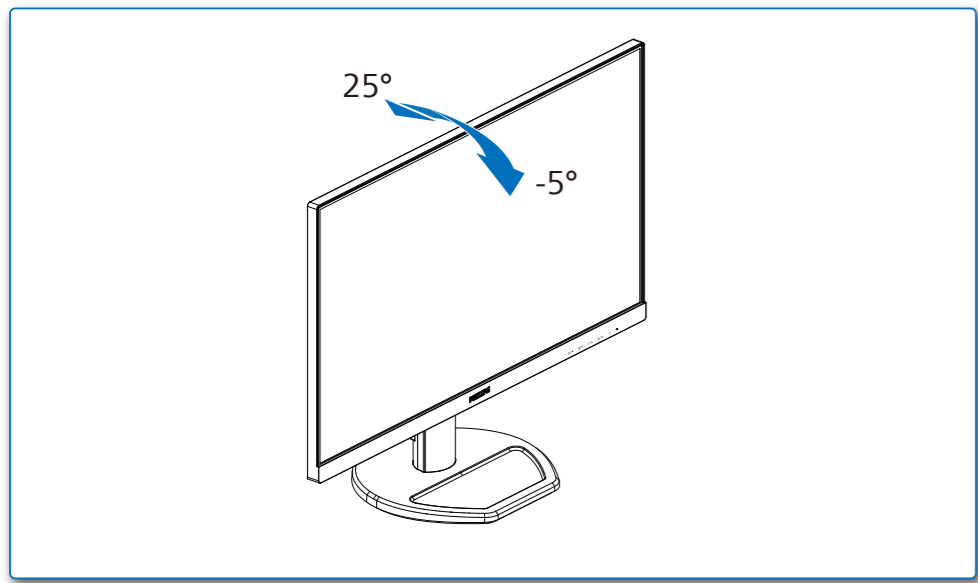


4



PHILIPS
S Line
242S9

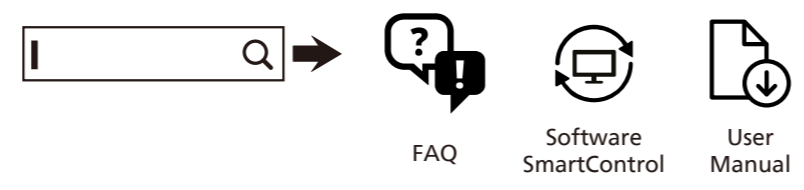


Quick Start

Register your product and get support at www.philips.com/welcome



Register your product and get support at www.philips.com/support

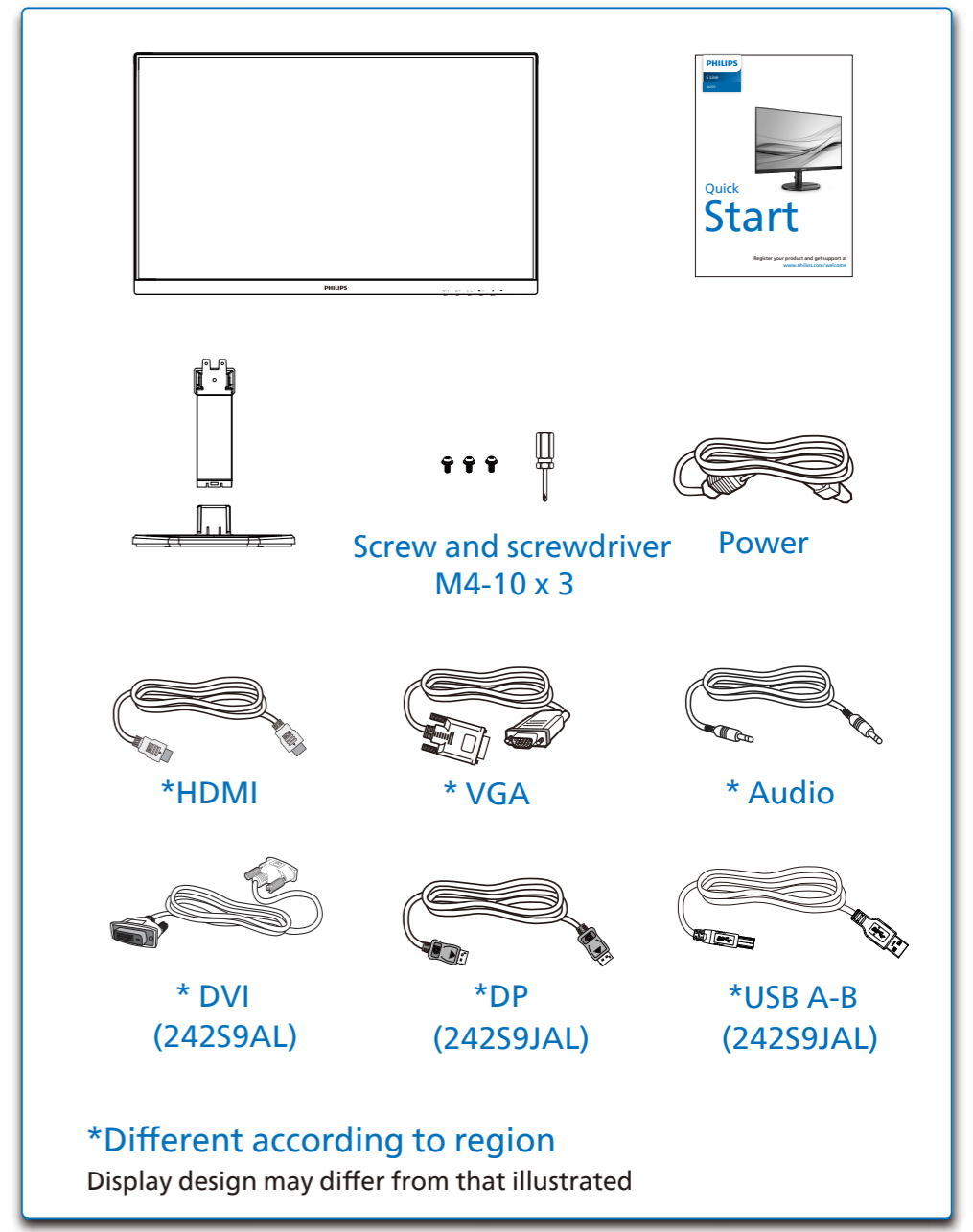


Version: M9242S9J1T
2022 © TOP Victory Investments Ltd. All rights reserved.
This product has been manufactured by and is sold under the responsibility of Top Victory Investments Ltd., and Top Victory Investments Ltd. is the warrantor in relation to this product. Philips and the Philips Shield Emblem are registered trademarks of Koninklijke Philips N.V. and are used under license.

Specifications are subject to change without notice.

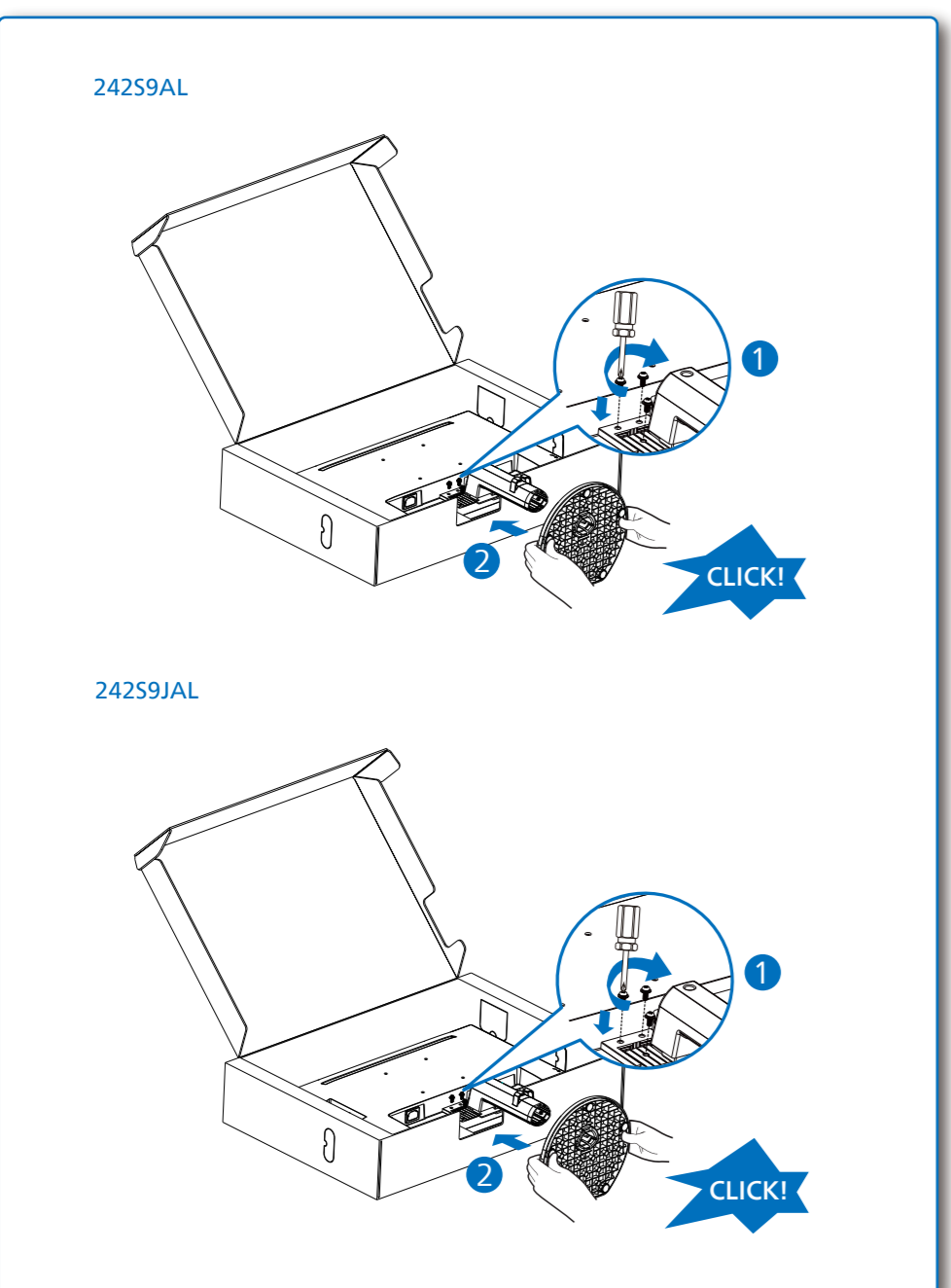
HDMI
The Adopted Trademarks HDMI, HDMI High Definition Multimedia Interface, and the HDMI Logo are trademarks or registered trademarks of HDMI Licensing Administrator, Inc. in the United States and other countries.

www.philips.com

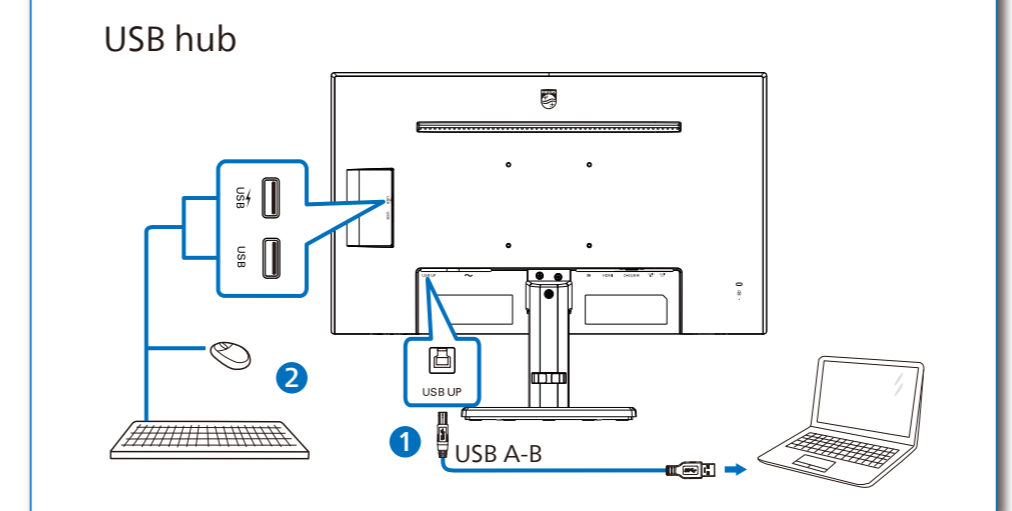
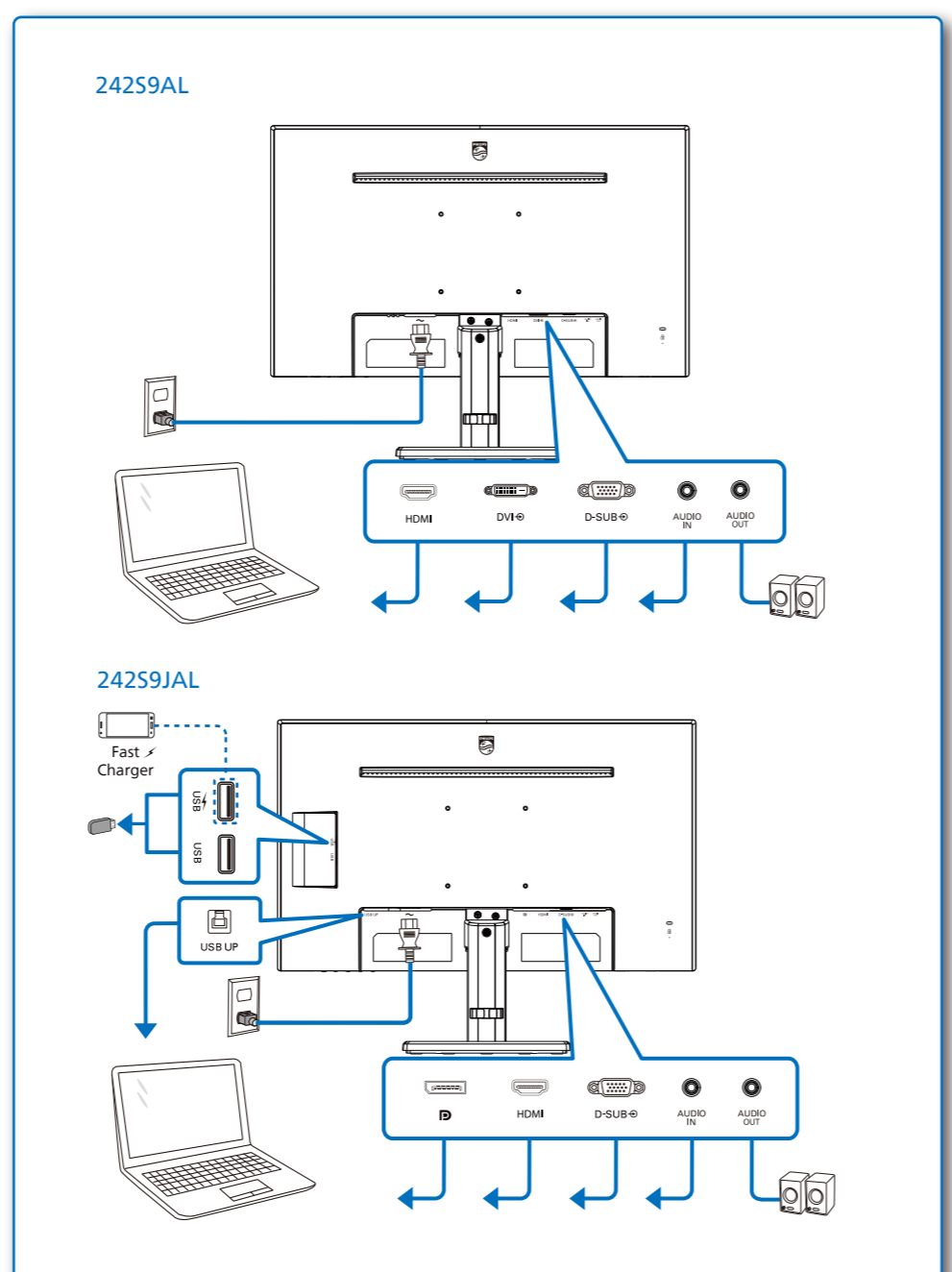


*Different according to region
Display design may differ from that illustrated

1



2



3

