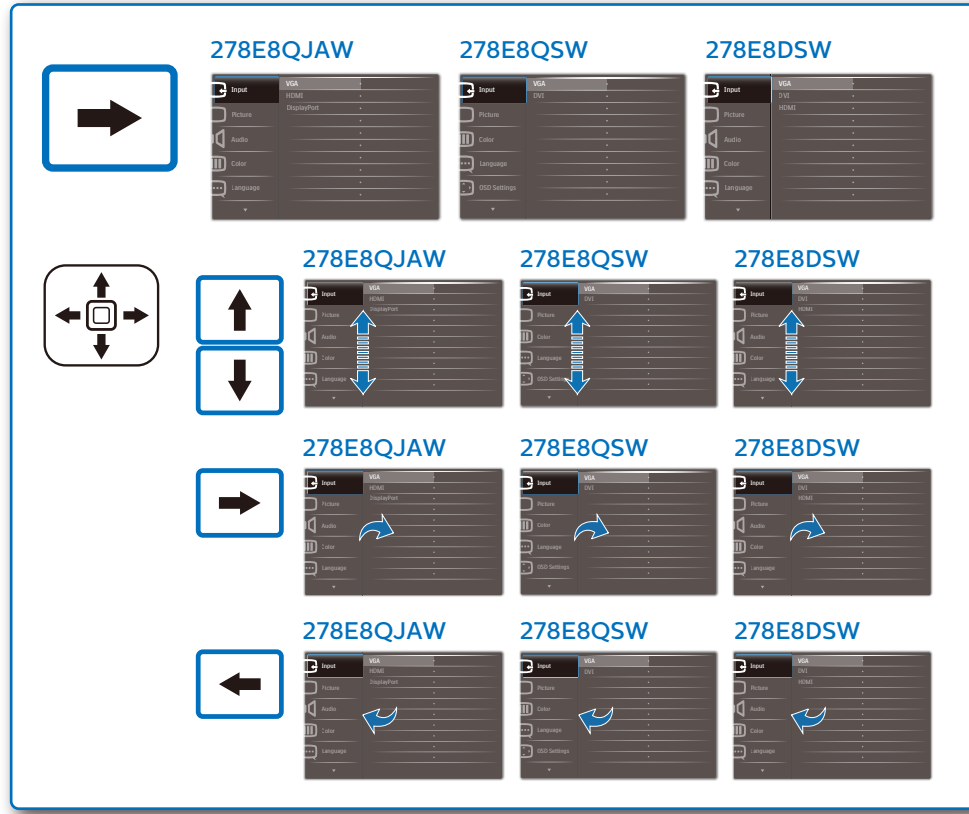
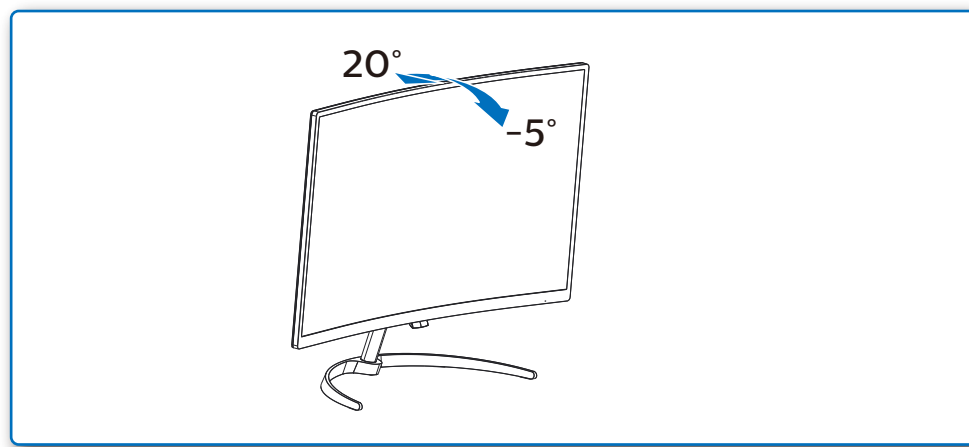


GRAPHIC DEVELOPMENT MMD	
Product name	278E8Q-QSG
Project name	278E8Q-QSG
Project no.	
Finishing	Folded sheet
Scale	1:1
Size Speads	594 (W) x 210 (H) mm
Size	148.5 (W) x 210 (H) mm
Operator(s)	
Date amended	Jul. 21, 2016
VERSION No.	13
APPROVAL	
QC Lithographer	
Product Manager	
Date Check	
ARTWORK DOCUMENT	
Paper	80gsm White, woodfree coated
Numbers of colours	2C+2C
Spotcolor	
Aftertreatment	
<input type="checkbox"/> Cropping	
<input type="checkbox"/> Coating	
<input type="checkbox"/> Varnishing	
<input type="checkbox"/> Embossing	
<input type="checkbox"/> Cutterguide	
<input type="checkbox"/> Die-cut	
<input type="checkbox"/> Binding	
<input type="checkbox"/> Glue	



4



Need help?

Online help: www.philips.com/support

需要帮助?
在线帮助: www.philips.com/support

Besoin d'Aide?
Aide en ligne: www.philips.com/support

¿Necesita ayuda?
Ayuda en línea: www.philips.com/support

Benötigen Sie Hilfe?
Online-Hilfe: www.philips.com/support

Avete bisogno di aiuto?
Guida in linea: www.philips.com/support

Precisa ajuda?
Ajuda online: www.philips.com/support

도움이 필요하신가요?
온라인 도움말: www.philips.com/support

Потребуєте допомоги?
Підтримка он-лайн: www.philips.com/support

Нужна помощь?
Интерактивная справка:
www.philips.com/support

Yardıma ihtiyacınız var mı?
Online yardım: www.philips.com/support

क्या सहायता की जरूरत है?
ऑनलाइन सहायता: www.philips.com/support

هل تريد المساعدة?
www.philips.com/support

ヘルプが必要ですか?
オンラインヘルプ: www.philips.com/support

Version: M8278EQ1WWT

© 2016 Koninklijke Philips N.V. All rights reserved.
Specifications are subject to change without notice.
Philips and the Philips Shield Emblem are registered trademarks of Koninklijke Philips N.V. and are used under license from Koninklijke Philips N.V.



Printed in China



www.philips.com

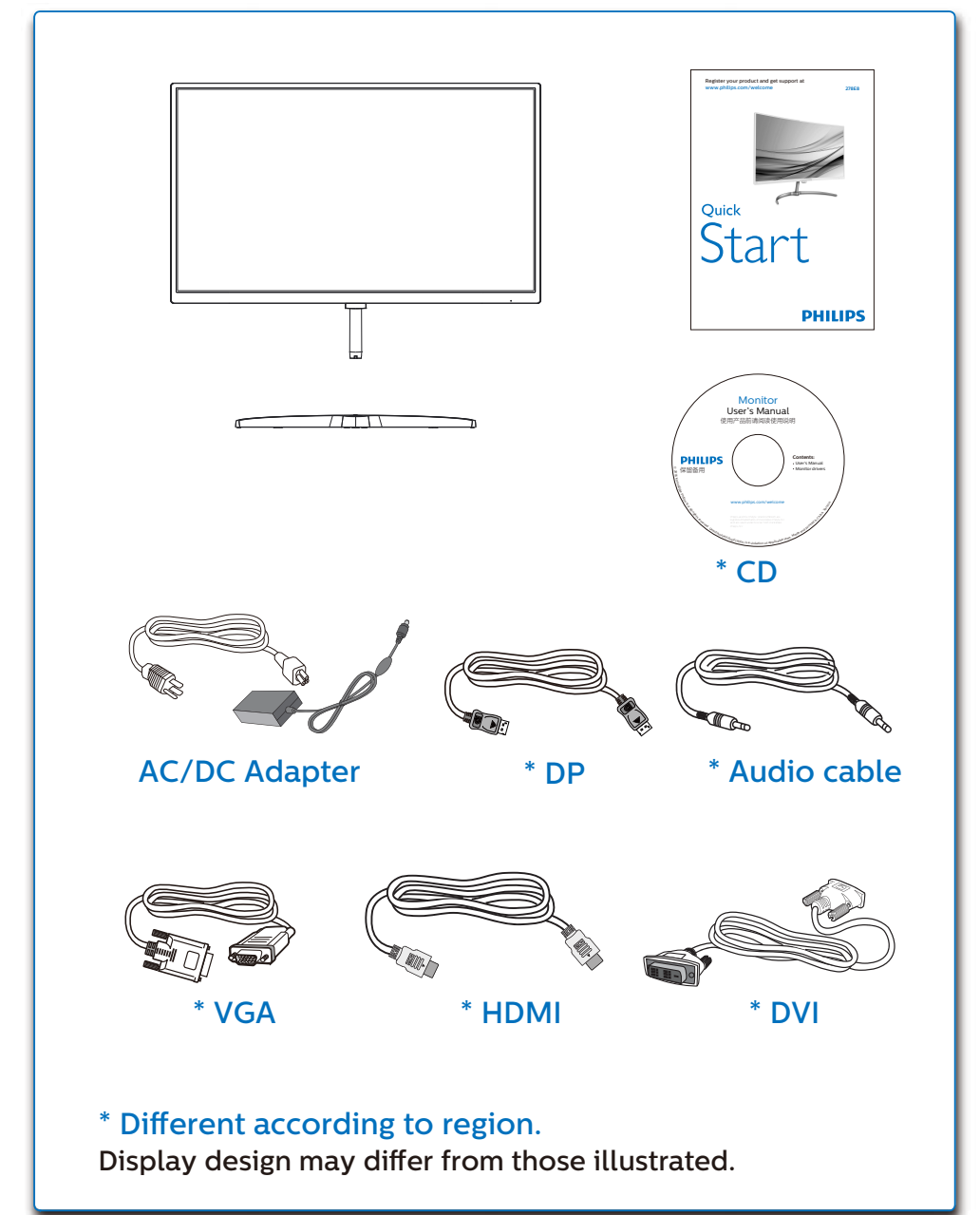
Register your product and get support at
www.philips.com/welcome

278E8



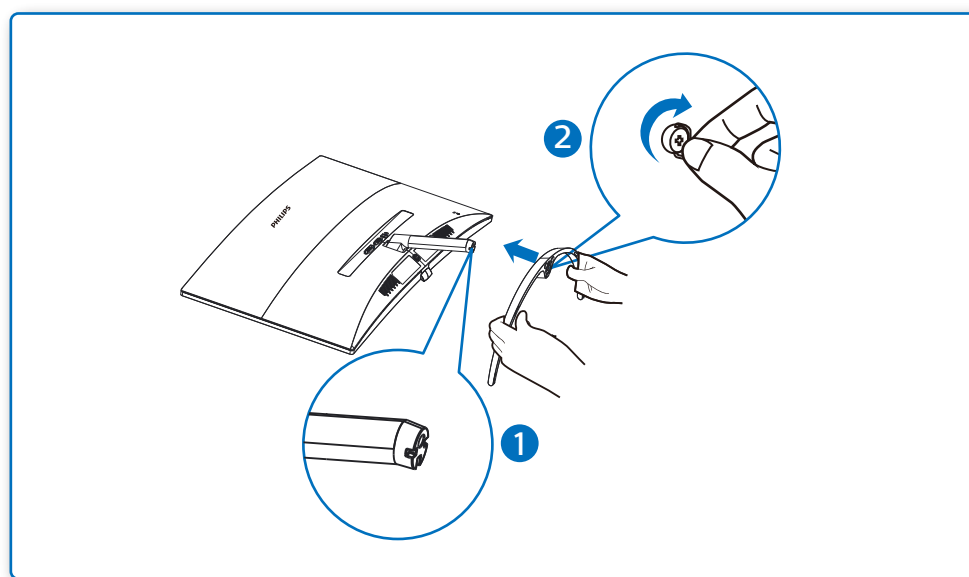
Quick Start

PHILIPS

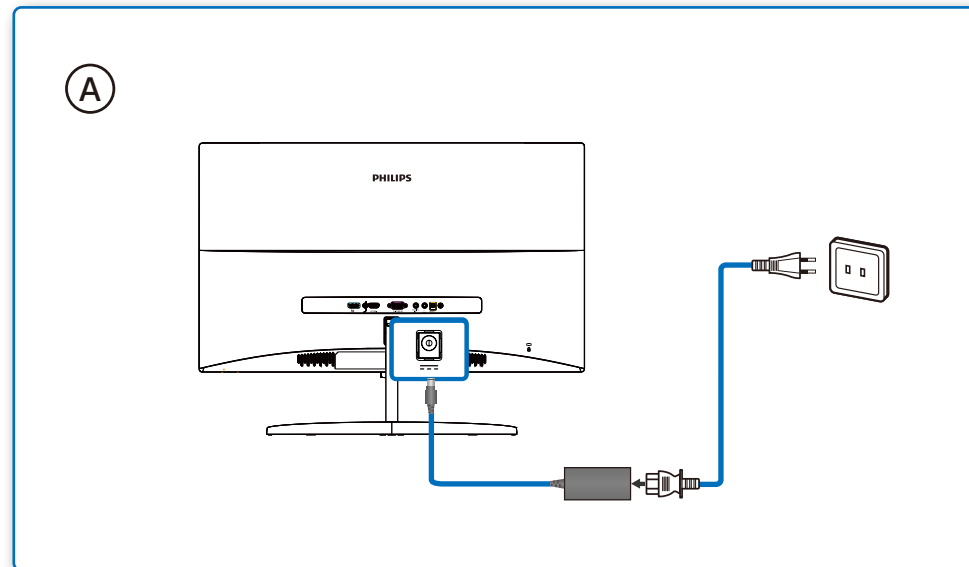


* Different according to region.
Display design may differ from those illustrated.

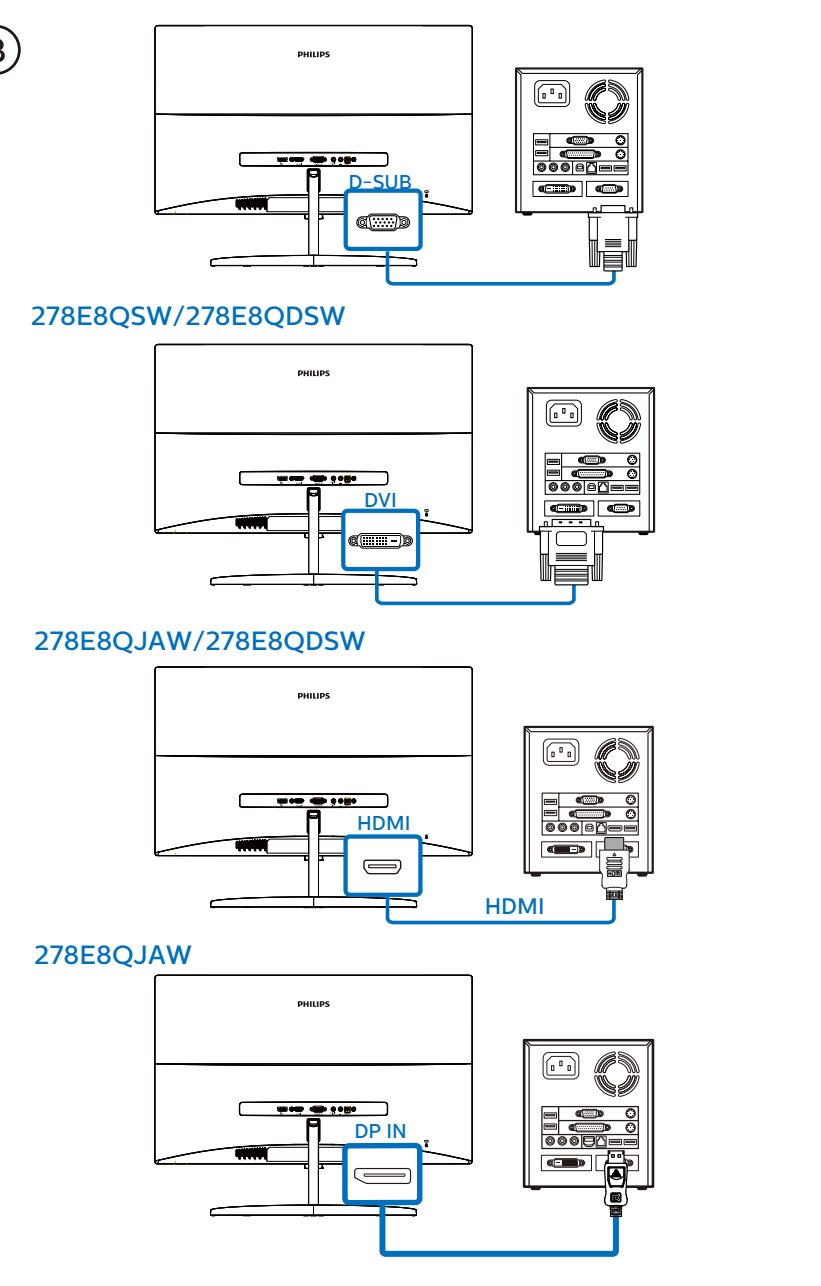
1



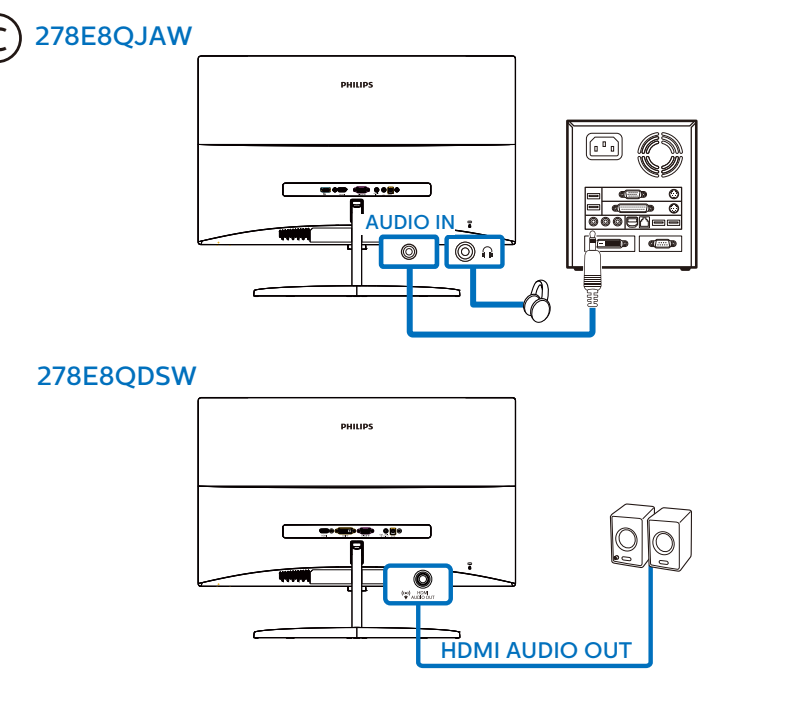
2



B



C 278E8QJAW



3

