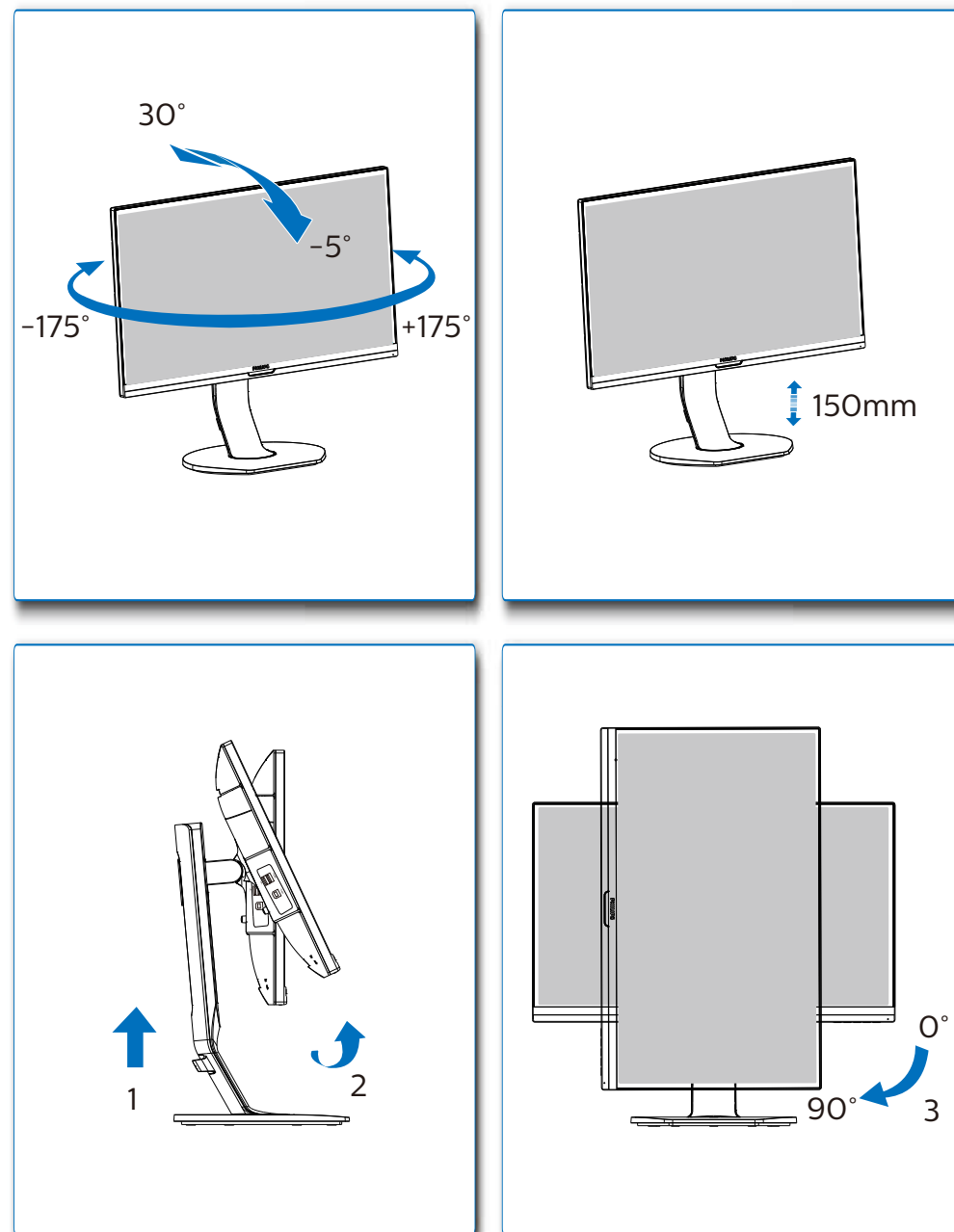


GRAPHIC DEVELOPMENT MMD	
Product name	272B7OPTKEB-QSG
Project no.	Folded sheet
Scale	1:1
Size Spreads	594 (W) x 210 (H) mm
Size	148.5 (W) x 210 (H) mm
Operator(s)	
Date amended	Jun. 18, 2016
VERSION No.	13
APPROVAL	
QC Lithographer	
Product Manager	
Date Check	
ARTWORK DOCUMENT	
Paper	80gsm White, woodfree coated
Numbers of colours	2Cx2C
Spotcolor	
Aftertreatment	
<input type="checkbox"/> Cropping	
<input type="checkbox"/> Coating	
<input type="checkbox"/> Varnishing	
<input type="checkbox"/> Embossing	
<input type="checkbox"/> Cutterguide	
<input type="checkbox"/> Die-cut	
<input type="checkbox"/> Binding	
<input type="checkbox"/> Glue	

4



EN Need help?

Online help: www.philips.com/support
 需要帮助?
 在线帮助: www.philips.com/support

- FR** Besoin d'Aide ?
Aide en ligne: www.philips.com/support
- ES** ¿Necesita ayuda?
Ayuda en línea: www.philips.com/support
- DE** Benötigen Sie Hilfe?
Online-Hilfe: www.philips.com/support
- IT** Avete bisogno di aiuto?
Guida in linea: www.philips.com/support
- BR** Precisa ajuda?
Ajuda online: www.philips.com/support
- KO** 도움이 필요하신가요?
온라인 도움말: www.philips.com/support
- UK** Потребуєте допомоги?
Підтримка он-лайн: www.philips.com/support
- RU** Нужна помощь?
Интерактивная справка: www.philips.com/support
- TR** Yardıma ihtiyacınız var mı?
Online yardım: www.philips.com/support
- HI** क्या सहायता की जरूरत है?
ऑनलाइन सहायता: www.philips.com/support
- AR** هل تريد المساعدة?
المساعدة عبر الانترنت: www.philips.com/support
- JP** ヘルプが必要ですか?
オンラインヘルプ: www.philips.com/support

Version: M7272BTKQ1L
 © 2016 Koninklijke Philips N.V. All rights reserved.
 Specifications are subject to change without notice.
 Philips and the Philips Shield Emblem are registered trademarks of Koninklijke Philips N.V. and are used under license from Koninklijke Philips N.V.



Printed in China



F41G27M1813-7B----

www.philips.com

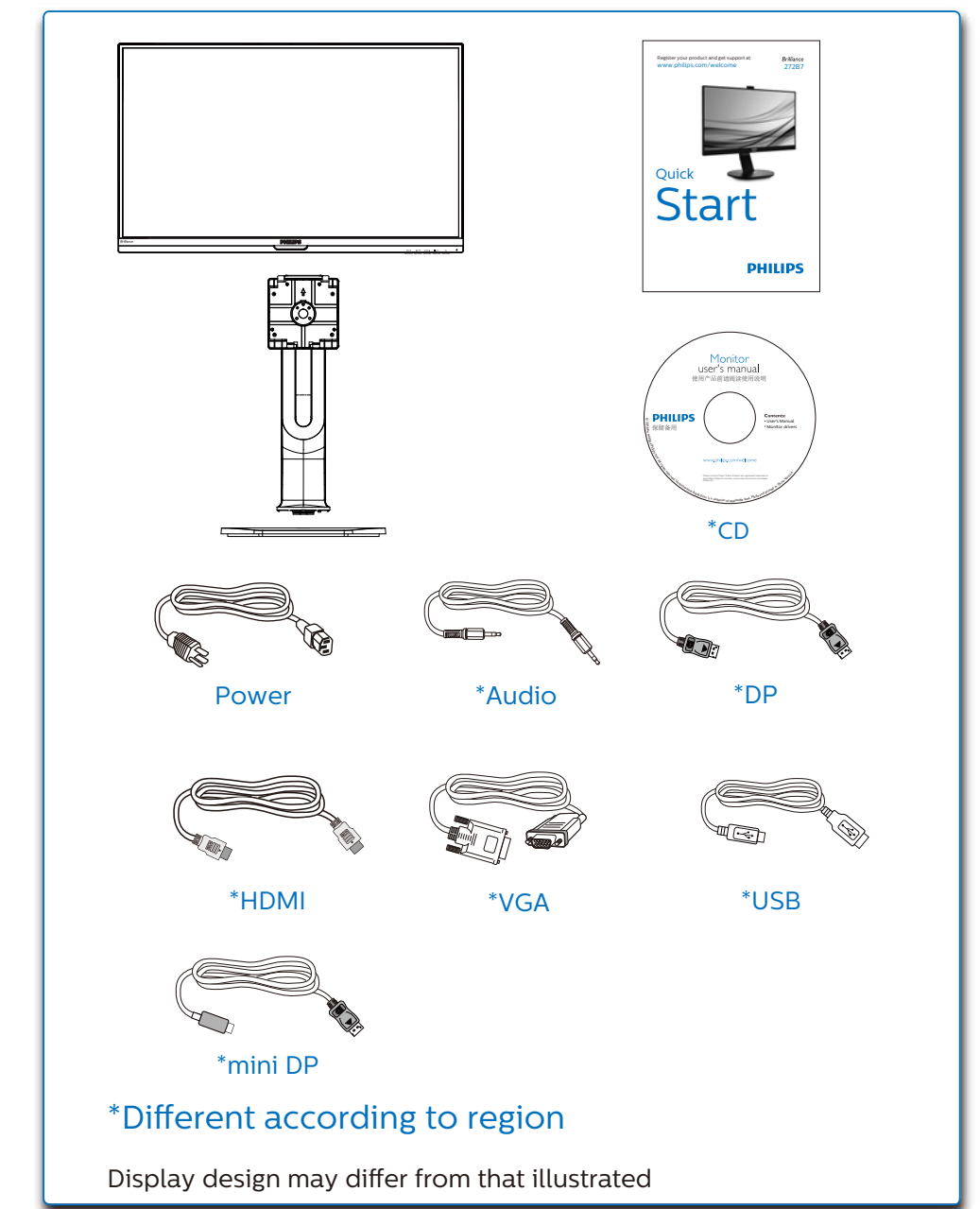
Register your product and get support at
www.philips.com/welcome

Brilliance
272B7

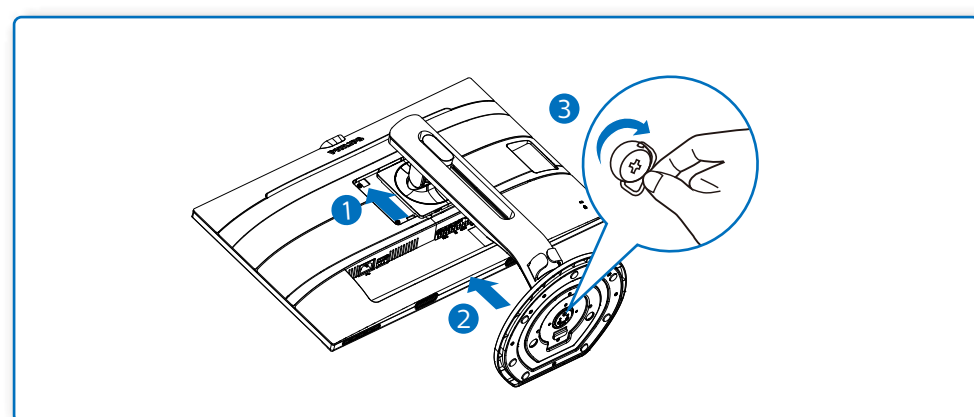


Quick Start

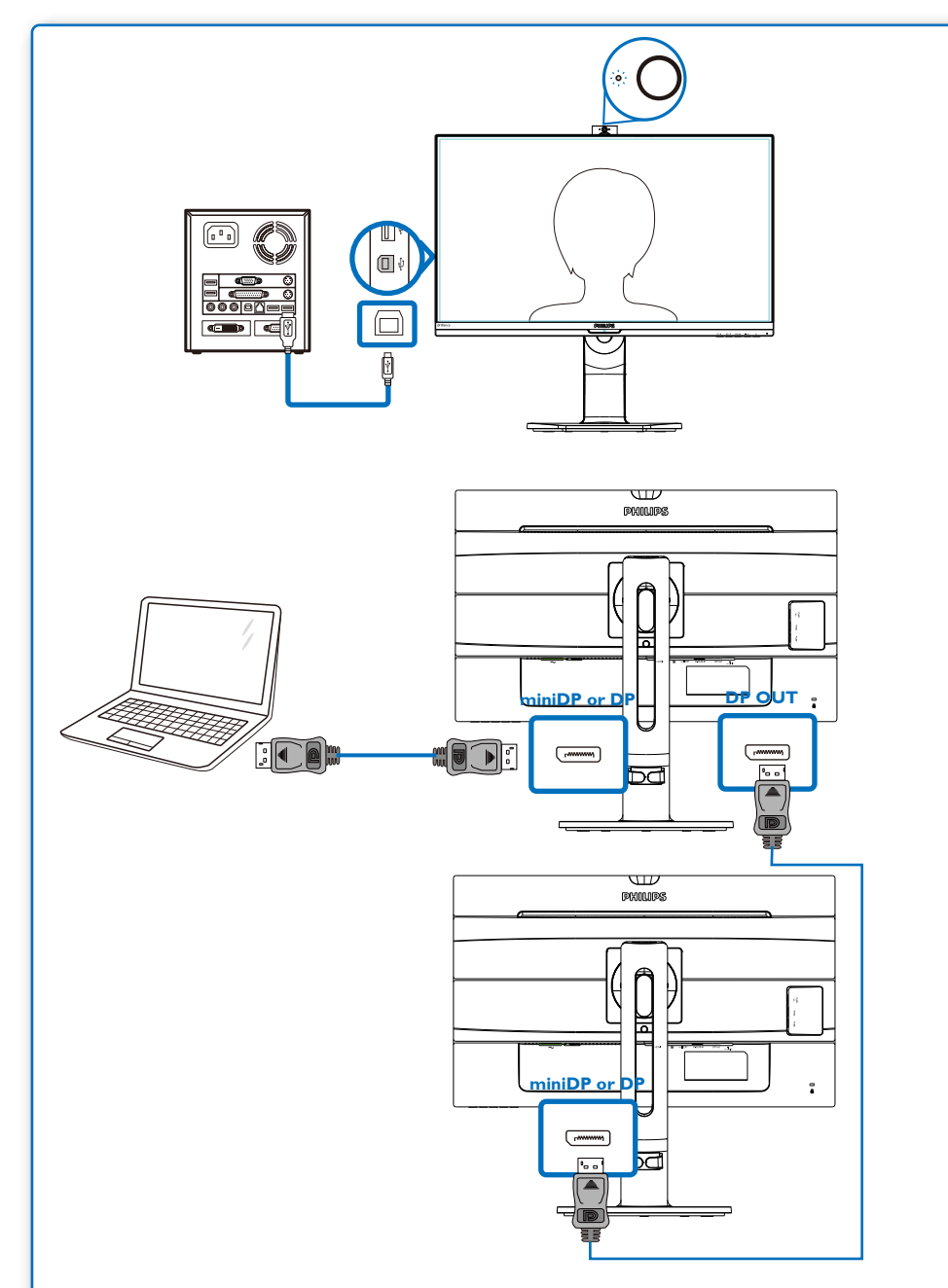
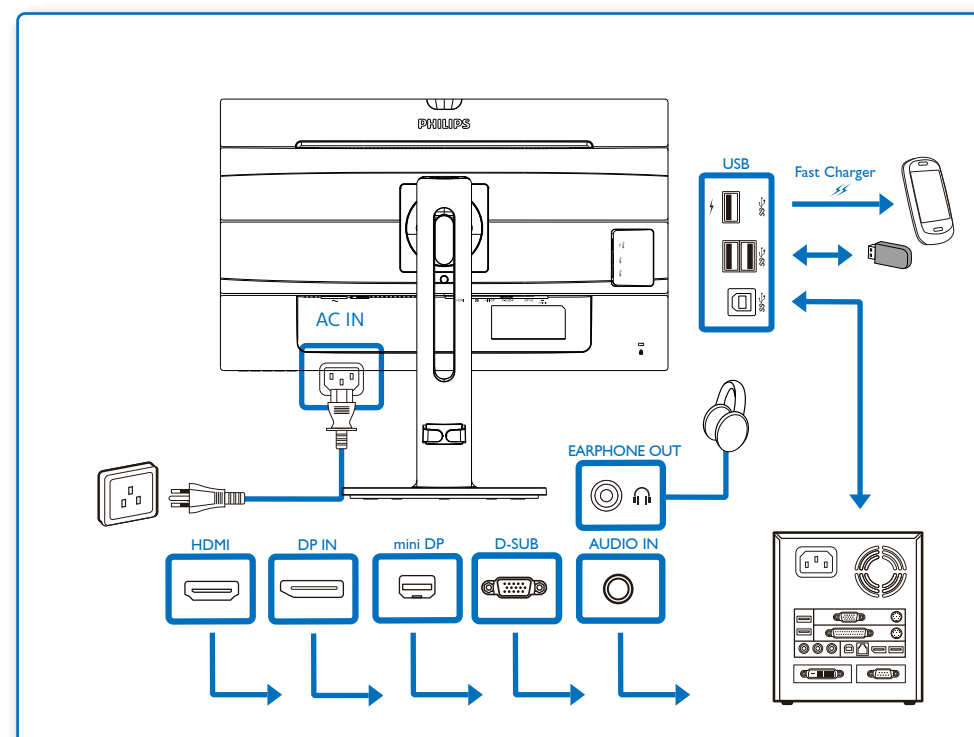
PHILIPS



1



2



3

