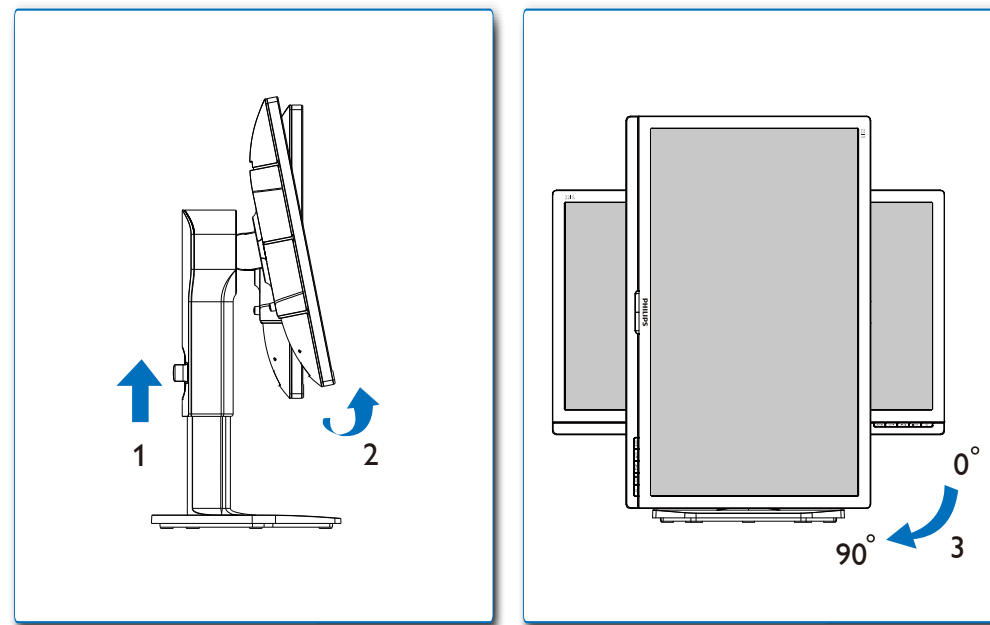
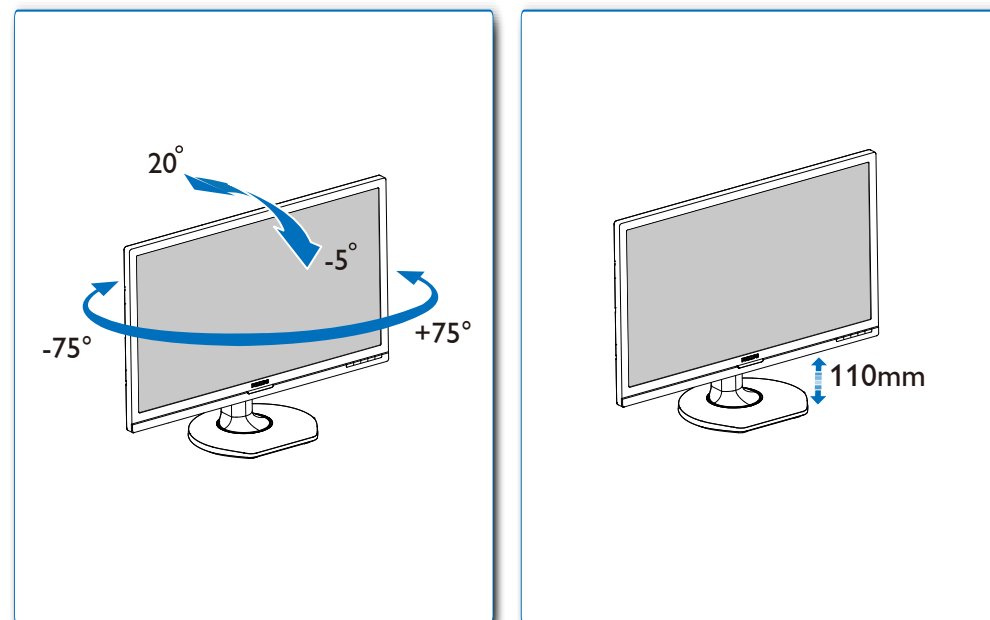


GRAPHIC DEVELOPMENT MMD	
Product name	22156LCB-QSG
Project name	22156LCB-QSG
Project no.	
Finishing	Folded sheet
Scale	1:1
Size Spreads	594 (W) x 210 (H) mm
Size	148.5 (W) x 210 (H) mm
Operator(s)	
Date amended	Oct-28-2015
VERSION No.	13
APPROVAL	
QC Lithographer	
Product Manager	
Date Check	
ARTWORK DOCUMENT	
Paper	80gsm White, woodfree coated
Numbers of colours	2C2C
Spotcolor	
Aftertreatment	
<input type="checkbox"/> Cropping	
<input type="checkbox"/> Coating	
<input type="checkbox"/> Varnishing	
<input type="checkbox"/> Embossing	
<input type="checkbox"/> Cutterguide	
<input type="checkbox"/> Die-cut	
<input type="checkbox"/> Binding	
<input type="checkbox"/> Glue	

4



- Need help?
Online help: www.philips.com/support
- 需要帮助?
在线帮助: www.philips.com/support
- Besoin d'Aide ?
Aide en ligne: www.philips.com/support
- ¿Necesita ayuda?
Ayuda en línea: www.philips.com/support
- Benötigen Sie Hilfe?
Online-Hilfe: www.philips.com/support
- Avete bisogno di aiuto?
Guida in linea: www.philips.com/support
- Потребуєте допомоги?
Підтримка он-лайн: www.philips.com/support
- Нужна помощь?
Интерактивная справка: www.philips.com/support
- هل تريد المساعدة?
المساعدة عبر الانترنت: www.philips.com/support

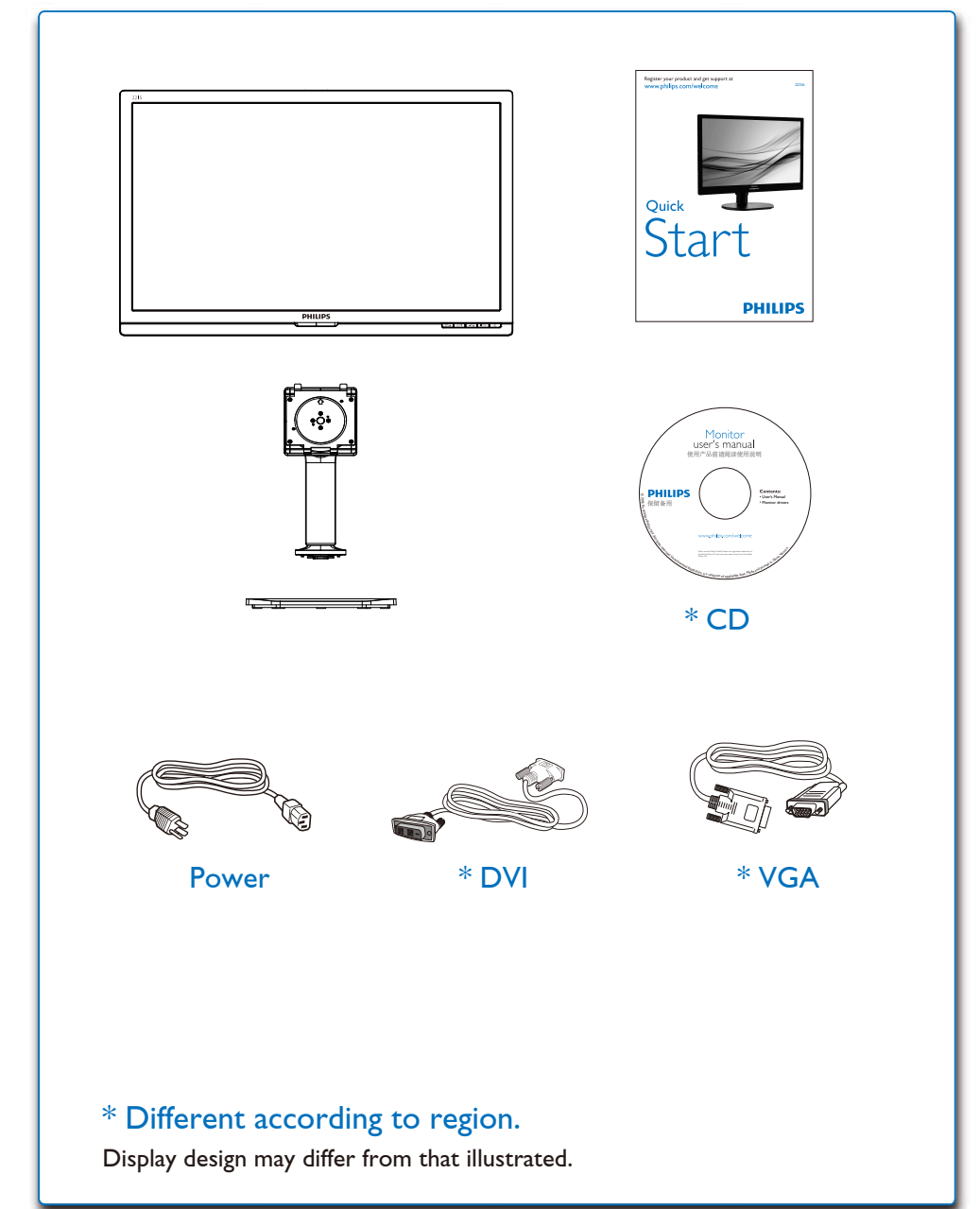
Version: M6221SLCQ1T
© 2015 Koninklijke Philips N.V. All rights reserved.
Specifications are subject to change without notice.
Philips and the Philips Shield Emblem are registered trademarks of Koninklijke Philips N.V. and are used under license from Koninklijke Philips N.V.
www.philips.com



Register your product and get support at
www.philips.com/welcome

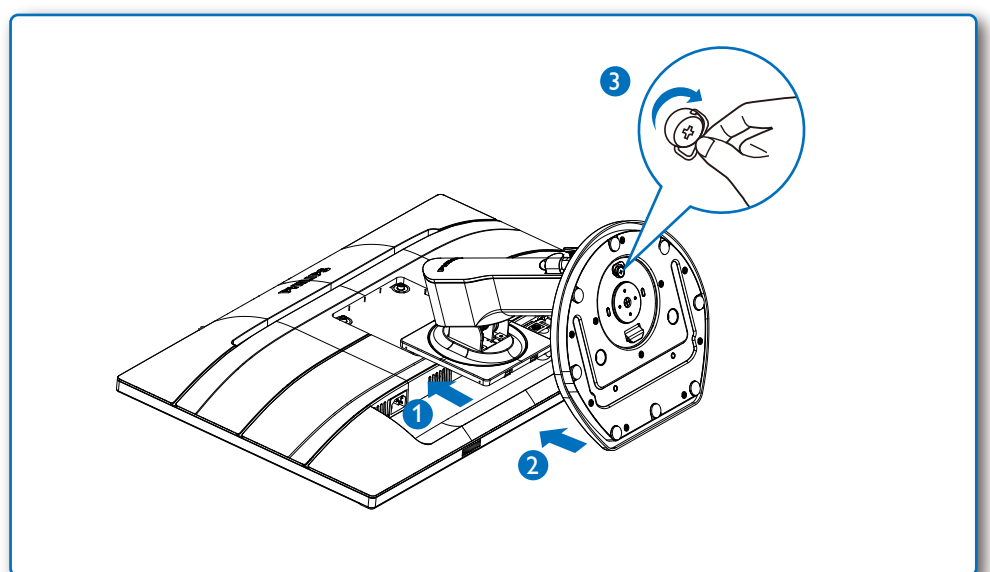
22156

Quick Start

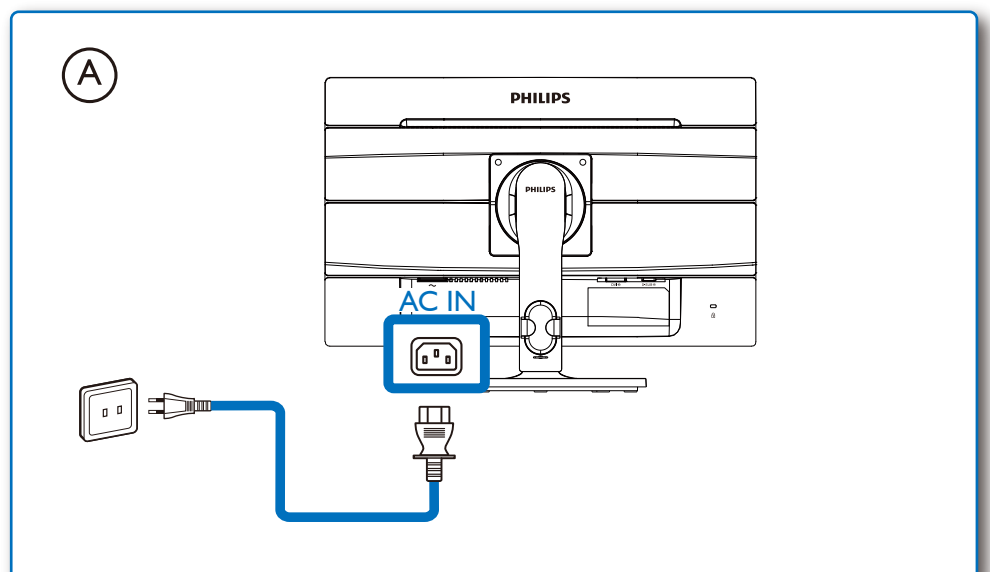


* Different according to region.
Display design may differ from that illustrated.

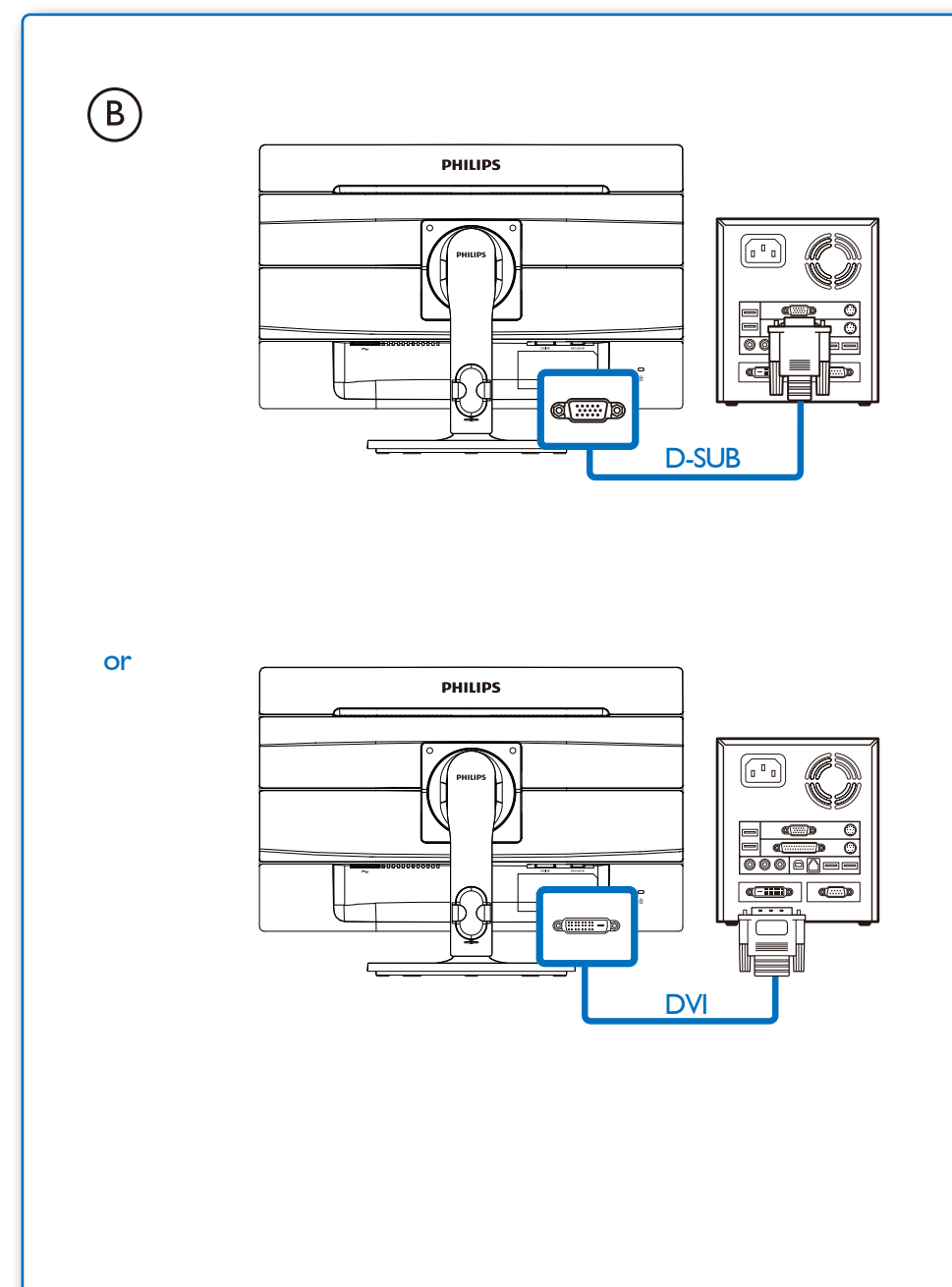
1



2



B



3

