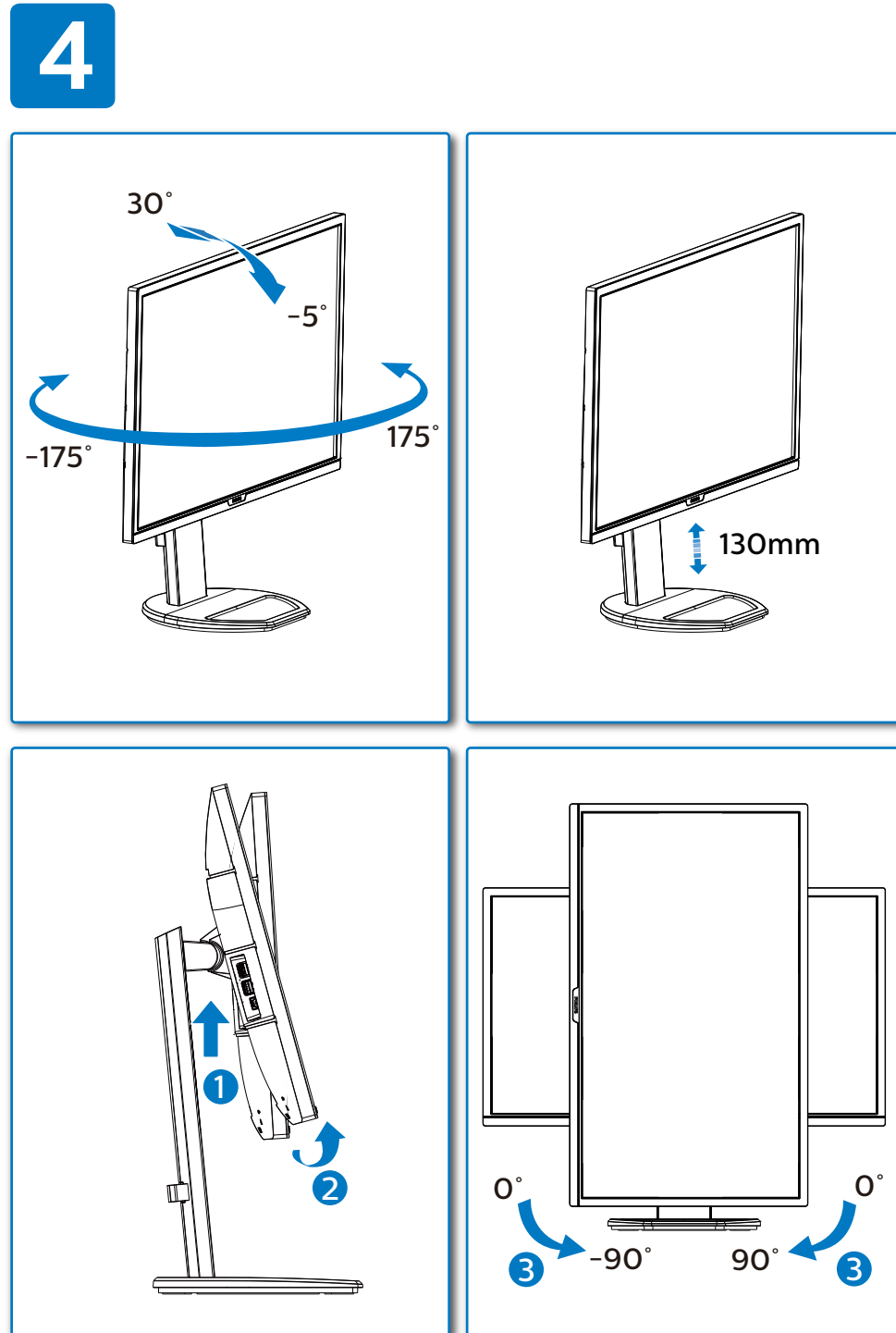


GRAPHIC DEVELOPMENT MMD	
Product name	
Project name	
Project no.	
Finishing	Folded sheet
Scale	1:1
Size Speads	594 (W) x 210 (H) mm
Size	148.5 (W) x 210 (H) mm
Operator(s)	
Date amended	
VERSION No.	1
APPROVAL	
QC Lithographer	
Product Manager	
Date Check	
ARTWORK DOCUMENT	
Paper	80gsm White, woodfree coated
Numbers of colours	2C2C
Spotcolor	
Aftertreatment	
<input type="checkbox"/>	Cropping
<input type="checkbox"/>	Coating
<input type="checkbox"/>	Varnishing
<input type="checkbox"/>	Embossing
<input type="checkbox"/>	Cutterguide
<input type="checkbox"/>	Die-cut
<input type="checkbox"/>	Binding
<input type="checkbox"/>	Glue



- EN Need help?**
Online help: www.philips.com/support
- SC 需要帮助?**
在线帮助: www.philips.com/support
- FR Besoin d'Aide ?**
Aide en ligne: www.philips.com/support
- ES ¿Necesita ayuda?**
Ayuda en línea: www.philips.com/support
- DE Benötigen Sie Hilfe?**
Online-Hilfe: www.philips.com/support
- IT Avete bisogno di aiuto?**
Guida in linea: www.philips.com/support
- BR Precisa ajuda?**
Ajuda online: www.philips.com/support
- KO 도움이 필요하신가요?**
온라인 도움말: www.philips.com/support
- UA Потребуйте допомоги!**
Підтримка он-лайн: www.philips.com/support
- RU Нужна помощь?**
Интерактивная справка: www.philips.com/support
- TR Yardım ihtiyacınız var mı?**
Online yardım: www.philips.com/support
- HI क्या सहायता की जरूरत है?**
ऑनलाईन सहायता: www.philips.com/support
- AR هل تريد المساعدة؟**
www.philips.com/support
- JP ヘルプが必要ですか?**
オンラインヘルプ: www.philips.com/support

Version: M8221BQ1T
© 2018 Koninklijke Philips N.V. All rights reserved.

This product was manufactured and brought to the market by or on behalf of Top Victory Investments Ltd. or one of its affiliates. Top Victory Investments Ltd. is the warrantor in relation to this product. Philips and the Philips Shield Emblem are registered trademarks of Koninklijke Philips N.V. used under license.

Specifications are subject to change without notice.

www.philips.com



Quick Start

Register your product and get support at www.philips.com/welcome

