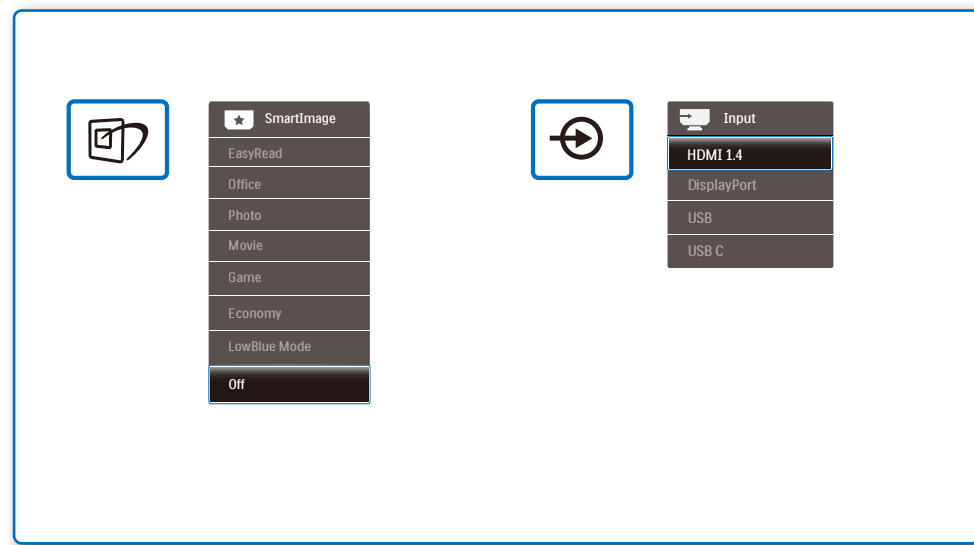
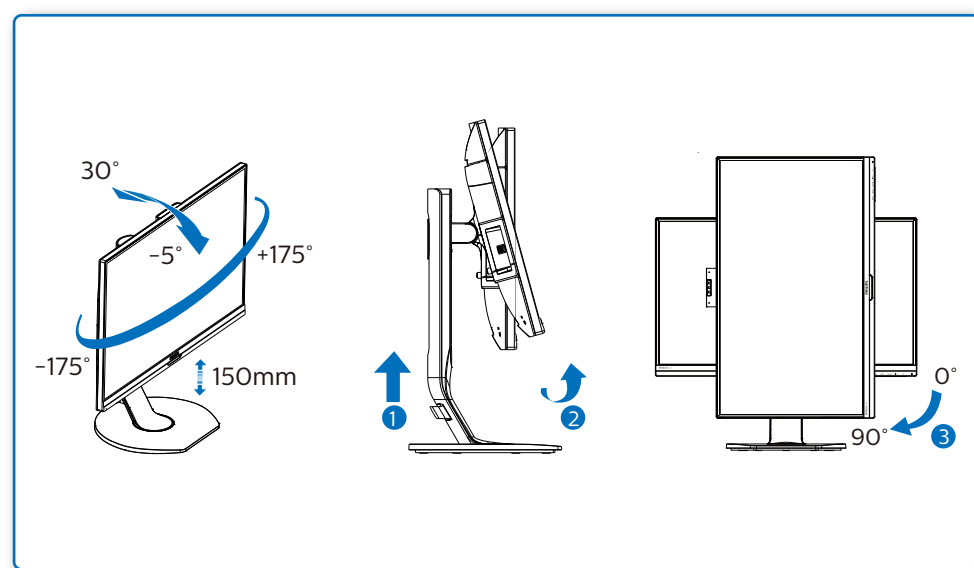


GRAPHIC DEVELOPMENT MMD	
Product name	
Project name	QSG
Project no.	
Finishing	Folded sheet
Scale	1:1
Size Spreads	594 (W) x 210 (H) mm
Size	148.5 (W) x 210 (H) mm
Operator(s)	
Date amended	
VERSION No.	13
APPROVAL	
QC Lithographer	
Product Manager	
Date Check	
ARTWORK DOCUMENT	
Paper	80gsm White, woodfree coated
Numbers of colours	2C2C
Pantone 300c	
Spotcolor	
Aftertreatment	
<input type="checkbox"/> Cropping	
<input type="checkbox"/> Coating	
<input type="checkbox"/> Varnishing	
<input type="checkbox"/> Embossing	
<input type="checkbox"/> Cutterguide	
<input type="checkbox"/> Die-cut	
<input type="checkbox"/> Binding	
<input type="checkbox"/> Glue	



4



**EN Need help?**  
**Online help:** [www.philips.com/support](http://www.philips.com/support)  
**SC 需要帮助?**  
**在线帮助:** [www.philips.com/support](http://www.philips.com/support)

- FR Besoin d'Aide ?**  
Aide en ligne: [www.philips.com/support](http://www.philips.com/support)
- UK Потребуєте допомоги?**  
Підтримка он-лайн: [www.philips.com/support](http://www.philips.com/support)
- ES ¿Necesita ayuda?**  
Ayuda en línea: [www.philips.com/support](http://www.philips.com/support)
- RU Нужна помощь?**  
Интерактивная справка: [www.philips.com/support](http://www.philips.com/support)
- TR Benötigen Sie Hilfe?**  
Online-Hilfe: [www.philips.com/support](http://www.philips.com/support)
- TR Yardıma ihtiyacınız var mı?**  
Online yardım: [www.philips.com/support](http://www.philips.com/support)
- HI क्या सहायता की जरूरत है?**  
ऑनलाईन सहायता: [www.philips.com/support](http://www.philips.com/support)
- AR هل تريد المساعدة؟**  
[www.philips.com/support](http://www.philips.com/support)
- JP ヘルプが必要ですか?**  
オンラインヘルプ: [www.philips.com/support](http://www.philips.com/support)

Version: M7272BUHQIT  
 2019 © TOP Victory Investment Ltd. All rights reserved.

This product has been manufactured by and is sold under the responsibility of Top Victory Investments Ltd., and Top Victory Investments Ltd. is the warrantor in relation to this product. Philips and the Philips Shield Emblem are registered trademarks of Koninklijke Philips N.V. and are used under license.

Specifications are subject to change without notice.

[www.philips.com](http://www.philips.com)

**HDMI**

HDMI trademark and related patents on technologies belong to their respective owners.



Printed in China



Q41G27M181349A

**PHILIPS**

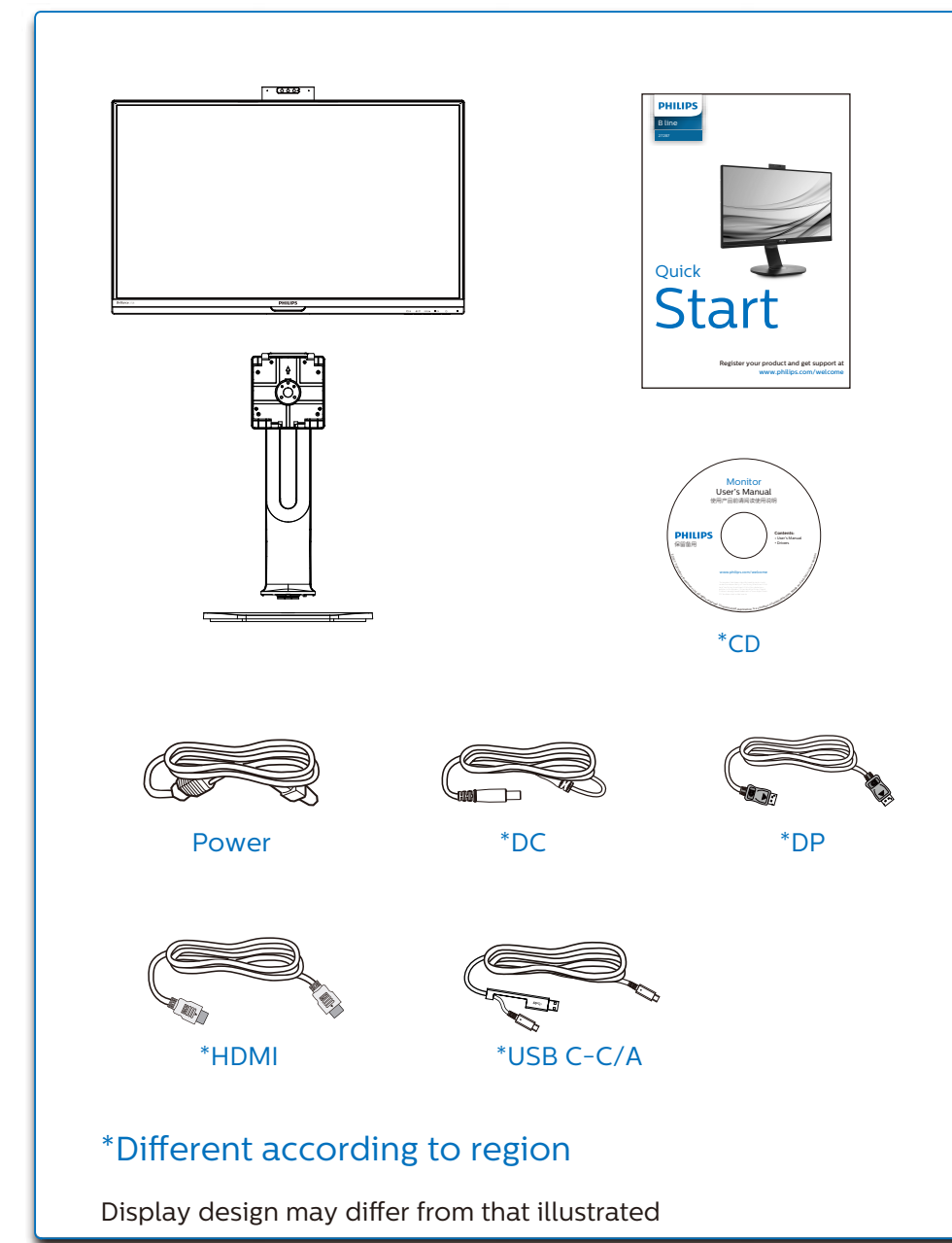
B line

272B7



# Quick Start

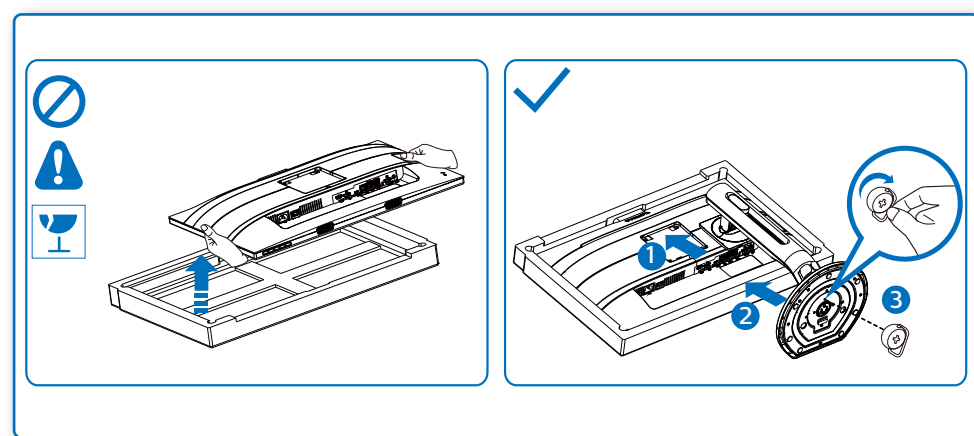
Register your product and get support at [www.philips.com/welcome](http://www.philips.com/welcome)



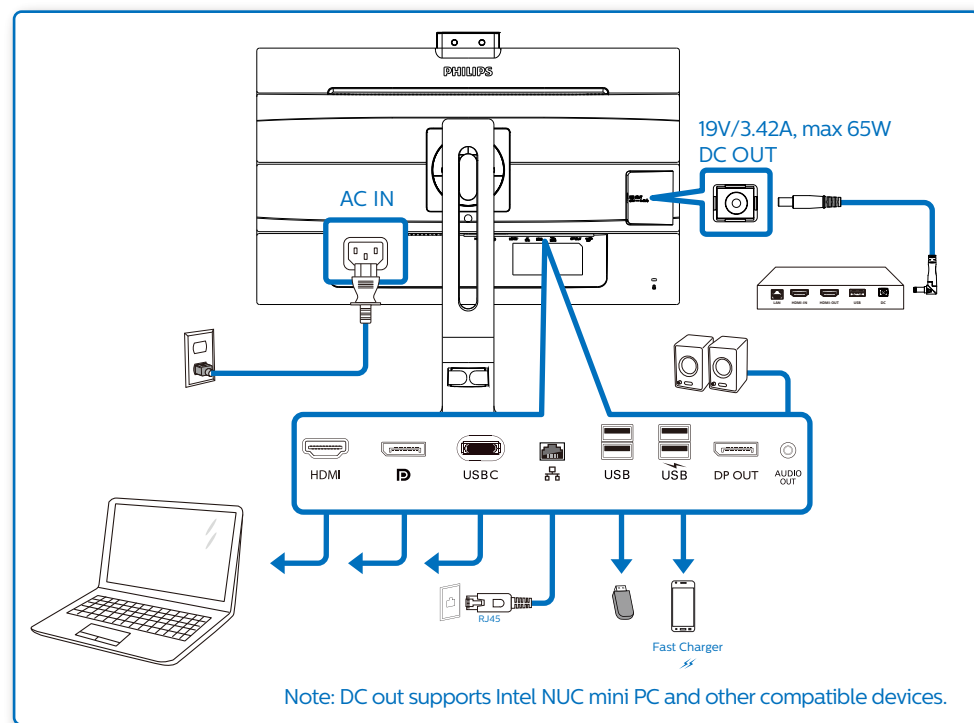
\*Different according to region

Display design may differ from that illustrated

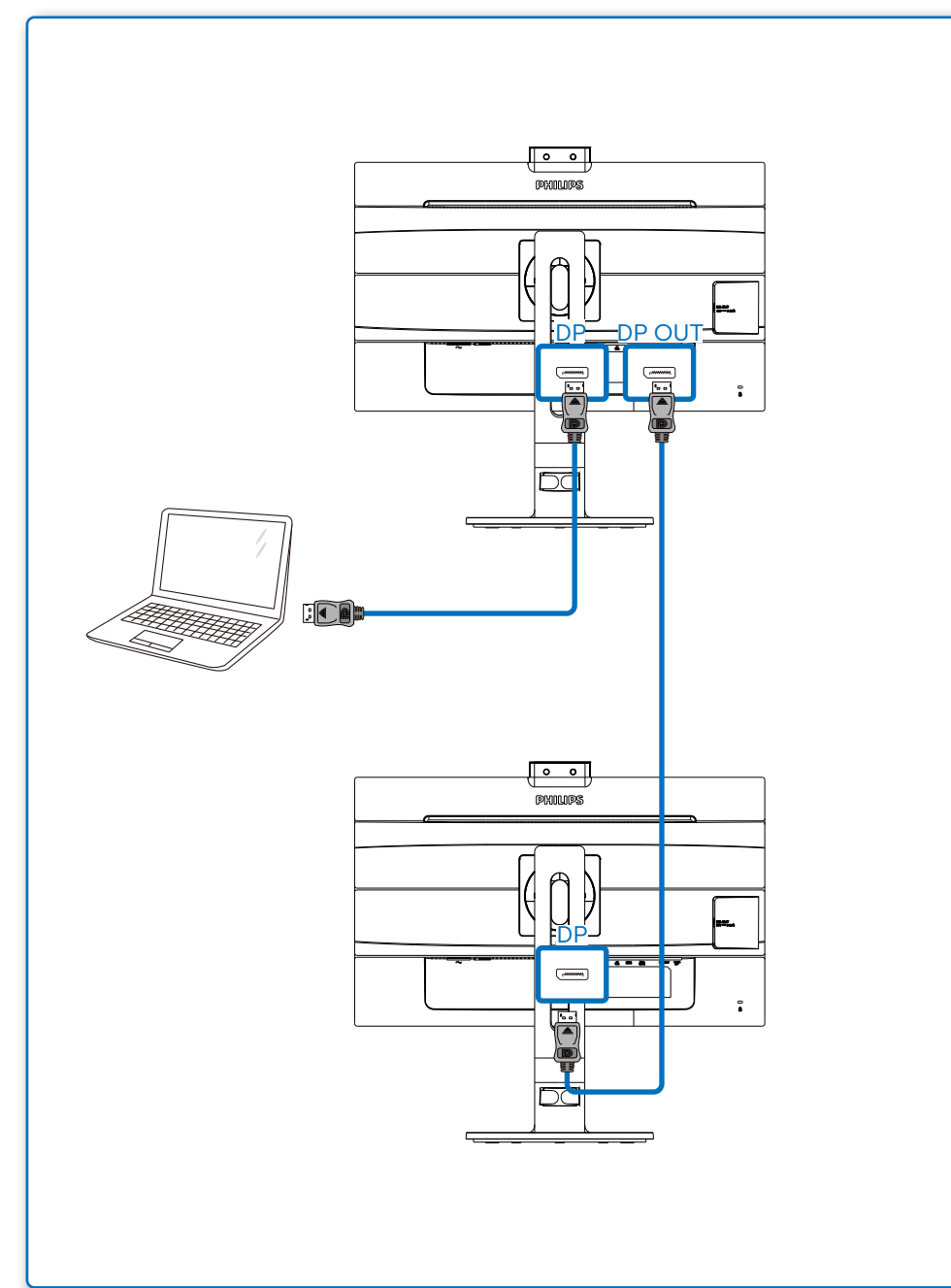
1



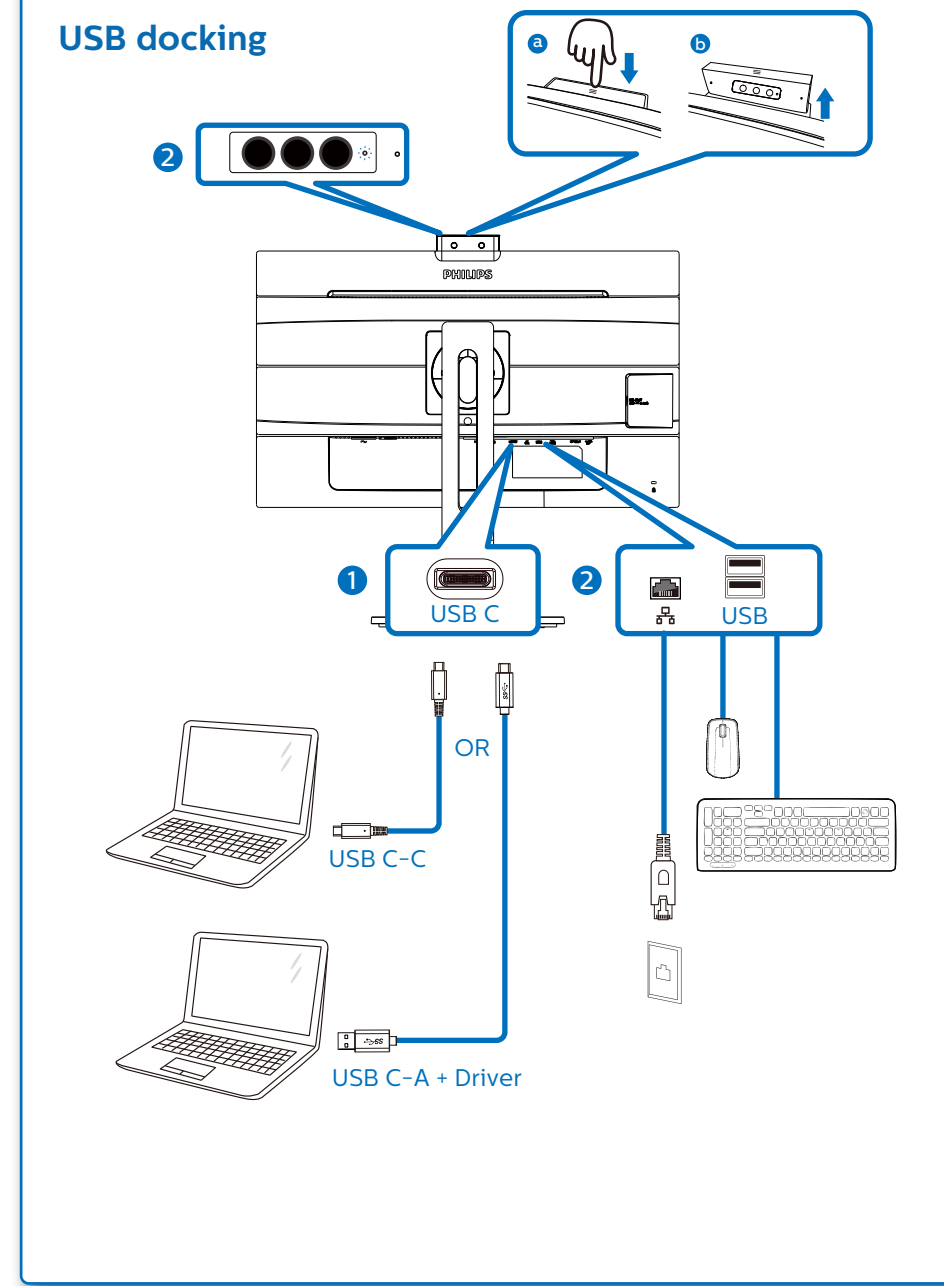
2



Note: DC out supports Intel NUC mini PC and other compatible devices.



## USB docking



3

