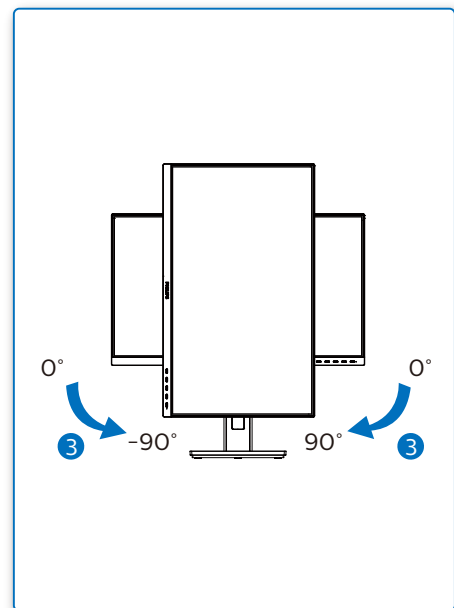
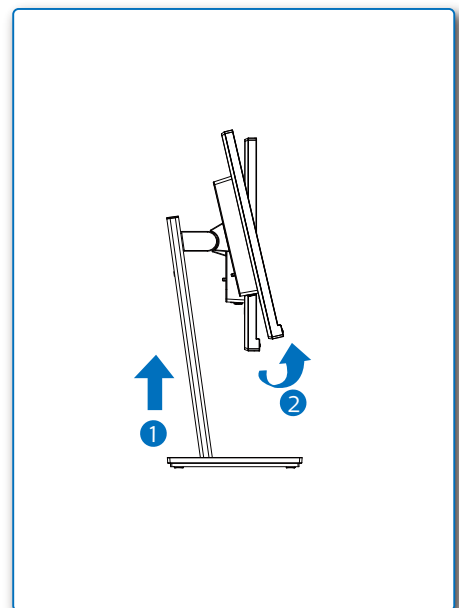
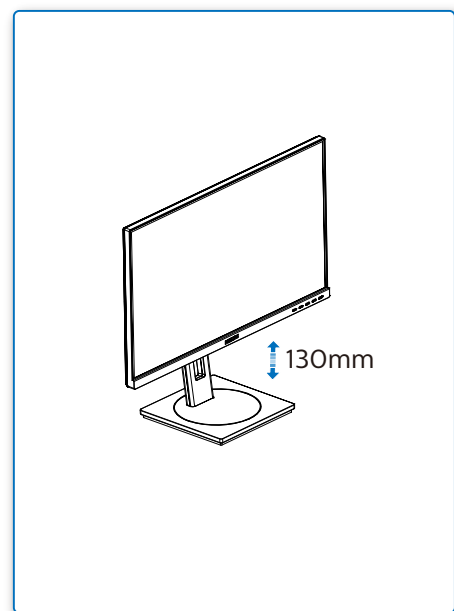
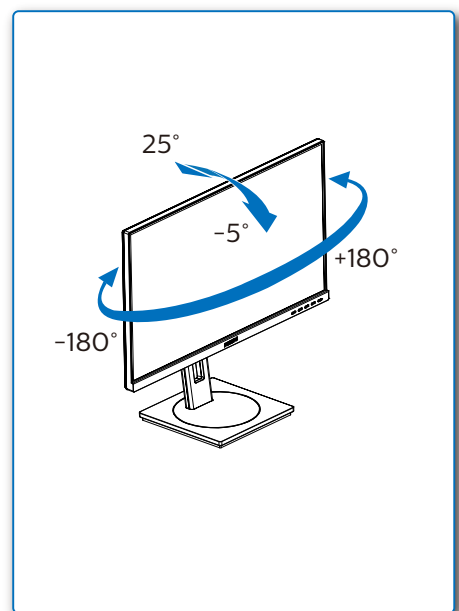
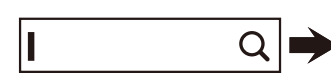


4



Register your product and get support at www.philips.com/support



Energy Labelling

242S1AE



Printed in China



H41G78S281346E

Version: M10242SQ1T

2020 © TOP Victory Investments Ltd. All rights reserved.

This product has been manufactured by and is sold under the responsibility of Top Victory Investments Ltd., and Top Victory Investments Ltd. is the warrantor in relation to this product. Philips and the Philips Shield Emblem are registered trademarks of Koninklijke Philips N.V. and are used under license.

Specifications are subject to change without notice.

HDMI

The terms HDMI, HDMI High-Definition Multimedia Interface, and the HDMI Logo are trademarks or registered trademarks of HDMI Licensing Administrator, Inc.

www.philips.com

PHILIPS

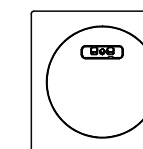
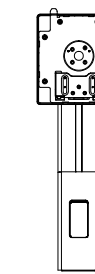
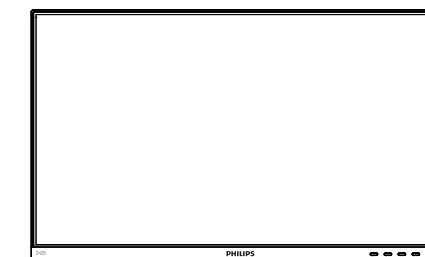
S Line

242S1



Quick Start

Register your product and get support at www.philips.com/welcome



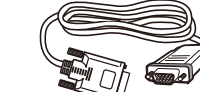
*CD



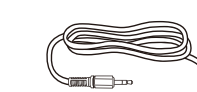
Power



*DP



*VGA



* Audio cable (242S1AE)



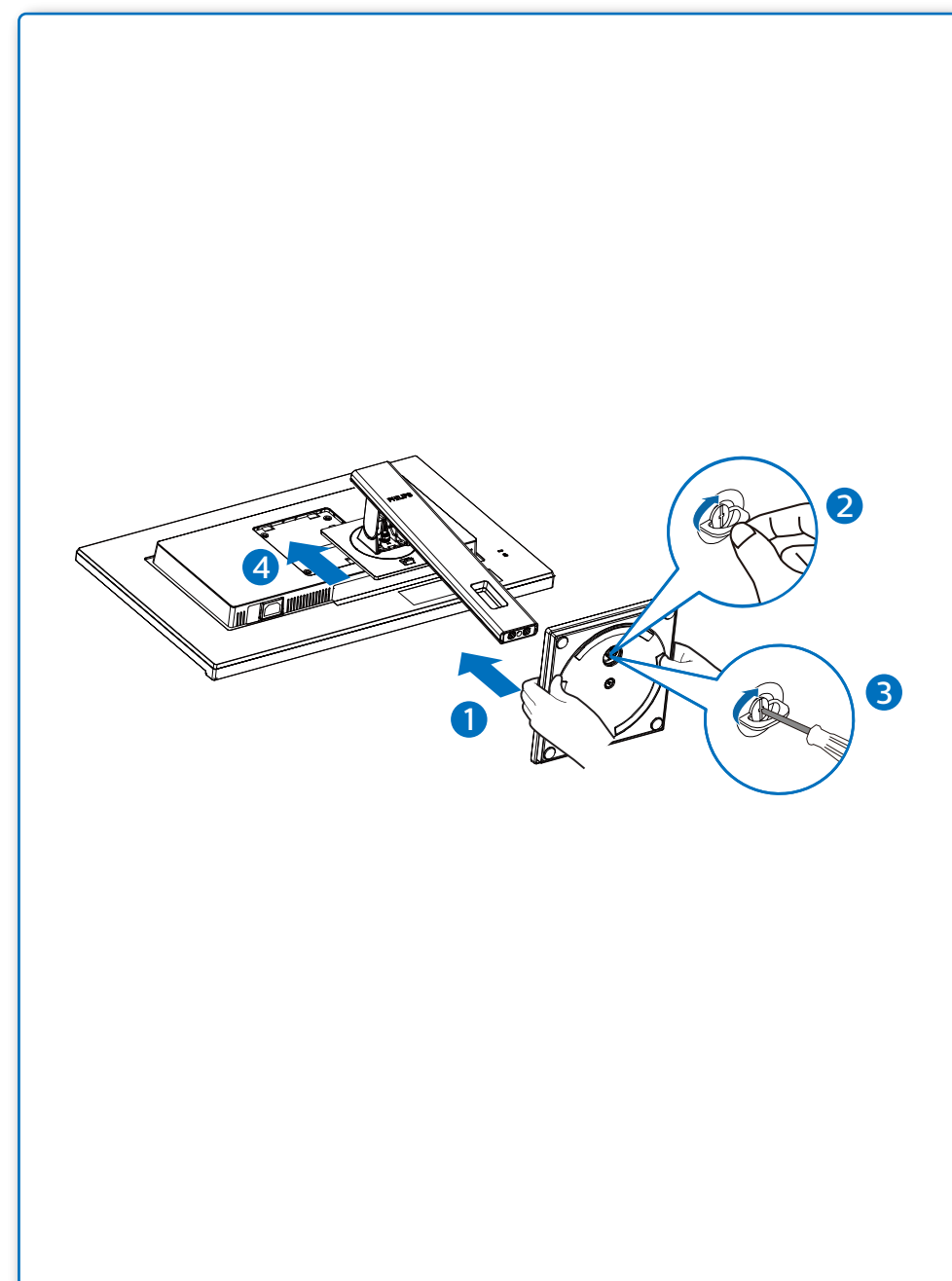
* DVI (242S1AE)



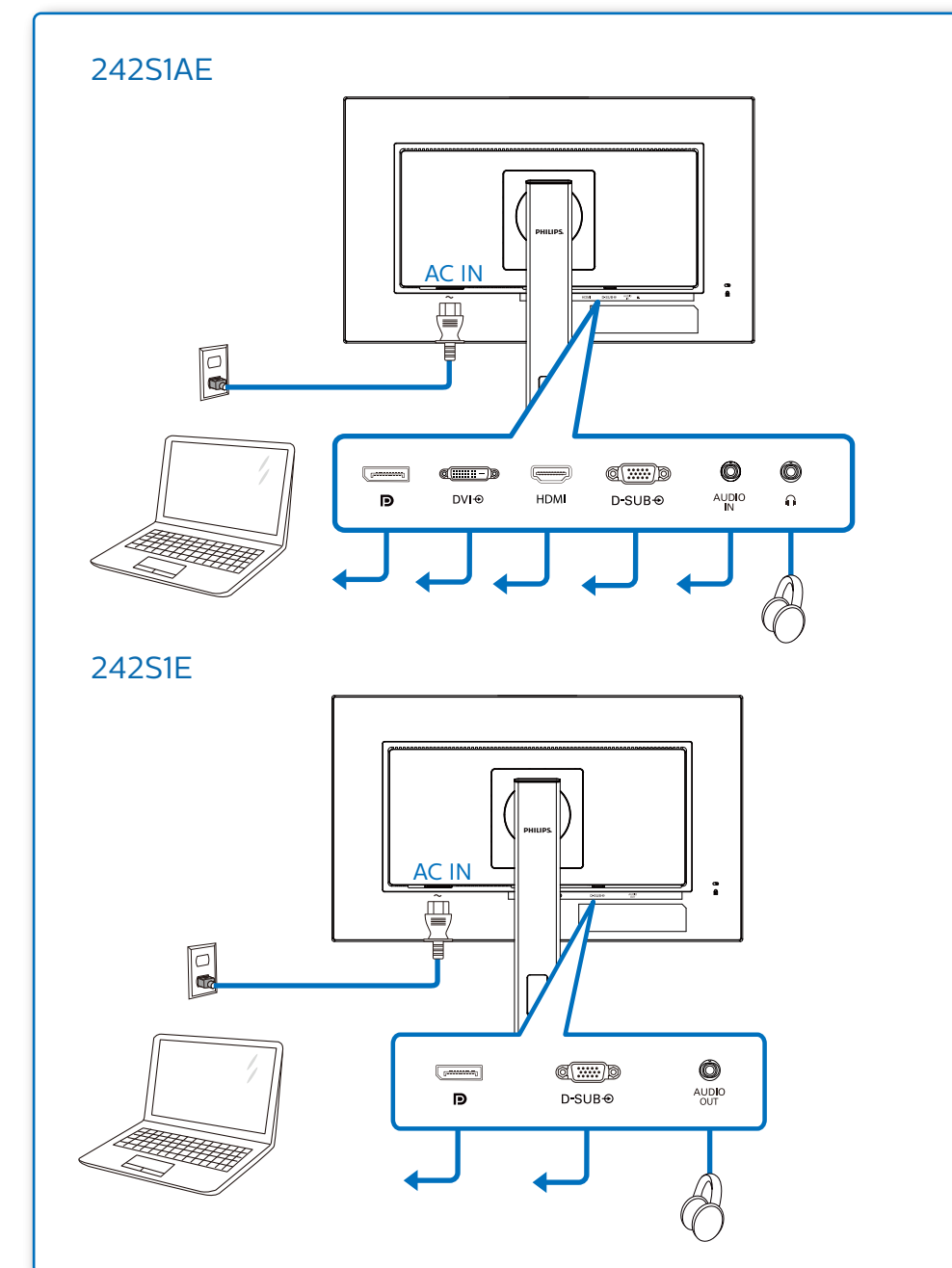
*HDMI (242S1AE)

*Different according to region
Display design may differ from that illustrated

1



2



3

