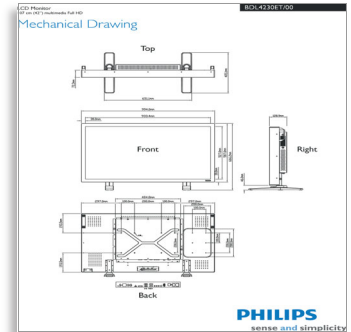




Philips
LCD monitor

107cm (42")
Multi-touch
Full HD



BDL4230ET

More audience interaction

with the touchscreen 107 cm (42") LCD Display

Deliver vital information or marketing messages to your audience in startling clarity with the BDL4230ET display. And thanks to the interactive touchscreen, you can also engage your customer much closer than ever before.

Operational flexibility

- Optical touch technology for advanced user interaction
- Smart insert in the backcover to place a small pc
- Remote Management and Configuration via RS232

Optimized for public viewing

- Full HD LCD display, 1920x1080p

Lower total cost of ownership

- SmartPower for energy saving
- Brightness automatically adjusts with ambient conditions
- Advanced anti image sticking function

Sustainable and safe

- Complies with RoHS standards to care for the environment

PHILIPS

Highlights

Optical multi-touch

The sensors on the edge of the screen give you perfect clarity whilst at the same time offering multi-touch interaction, opening up all kinds of possibilities for new interactive applications.

Smart Insert

Professional PC's are part of most public signage installations. Quite often they increase the overall depth to the display and cause a lot of cable clutter. So we have designed this display with Smart insert in the back cover which is ideal for the integration of a professional small form factor PC. On top of that, the cable management system offers a great solution to keep your cables neat and professional looking.

SmartPower

The backlight intensity can be controlled and pre-set by the system to reduce the power

consumption by up to 50%, which saves substantially on energy costs.

Full HD LCD display 1920x1080p

This display has a resolution that is referred to as Full HD. The state-of-the-art LCD screen technology has the full high-definition widescreen resolution of 1080 progressive lines, each with 1920 pixels. This allows the best possible picture quality for HD input signals with up to 1080 lines. It produces brilliant flicker-free progressive scan pictures with optimum brightness and superb colors. This vibrant and sharp image will provide you with an enhanced viewing experience.

Automatic brightness control

The adjustment of display settings to correspond with ambient light without user intervention.

Advanced anti image sticking

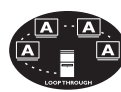
Static images left on-screen for extended periods of time may leave a "ghost image" or image sticking effect on LCD displays. Although image sticking in LCD displays is not permanent, you want to prevent this to happen, especially in locations where content is shown 24/7.

Remote Management:: RS232

Remote Management allows the user to control and adjust the displays remotely via the RS232 protocol. Using CEC commands, you are able to have full control over all the displays in your signage network at any time.

Compliant with RoHS standards

Philips designs and produces display products in compliance with strict Restriction of Hazardous Substances (RoHS) standards that restrict lead and other toxic substances that can harm the environment.



Specifications

Picture/Display

- Diagonal screen size: 42 inch / 107 cm
- Panel resolution: 1920x1080p
- Optimum resolution: 1920 x 1080 @ 60Hz
- Brightness: 500 cd/m²
- Contrast ratio (typical): 1400:1
- Response time (typical): 5 ms
- Aspect ratio: 16:9
- Viewing angle (H / V): 178 / 178 degree
- Display colors: 1.06 billion colors
- Picture enhancement: 3/2 - 2/2 motion pull down, 3D Combfilter, Motion compens. deinterlacing, Progressive scan, 3D MA deinterlacing, Dynamic contrast enhancement
- Pixel pitch: 0.48mm x 0.48mm

Supported Display Resolution

Computer formats

Resolution	Refresh rate
640 x 480	60, 67, 72, 75Hz
800 x 600	56, 60, 72, 75Hz
1024 x 768	60Hz
1280 x 768	60Hz
1280 x 800	60Hz
1280 x 1024	60Hz
1360 x 768	60Hz
1366 x 768	60Hz
1440 x 900	60Hz
1600 x 1200	60Hz
1920 x 1080	60Hz
1920 x 1200	60Hz

Video formats

Resolution	Refresh rate
480i	60Hz
480p	60Hz
576p	50Hz
576i	50Hz
720p	50, 60Hz
1080i	50, 60Hz
1080p	50, 60Hz

Connectivity

- PC: VGA-in D-Sub 15HD, VGA-out D-Sub 15HD, DVI-D x1, RS232 D-Sub9, RS232 D-sub9 output, 3.5 mm PC audio input x1, USB B-Type

- AV input: HDMI x1, Composite (BNC) x1, S-video x1, Audio (L/R) x2
- AV output: Composite (BNC) x1, Audio (L/R) x1
- Other connections: AC-out, External loudspeaker connector, Component RCA x1

Convenience

- Placement: Landscape
- Tiled Matrix: Up to 5x5
- Picture in picture: PIP
- Screen saving functions: ixel Shift, Low Brightness
- Signal Loop Through: RS232, VGA
- Keyboard control: Hidden, Lockable
- Remote control signal: Lockable
- Ease of installation: AC Out, Carrying Handles, Smart Insert
- Energy saving functions: Ambient light sensor, Smart Power
- Picture performance: Advanced color control
- Packaging: Reusable box
- Network controllable: RS232

Dimensions

- Smart Insert mount: 160 x 300 x 55 mm
- Smart insert in inch (WxHxD): 6.3 x 11.81 x 2.17"
- Set dimensions (W x H x D): 993 x 586 x 120 mm
- Set dimensions in inch (W x H x D): 39.1 x 23.1 x 4.7 inch
- Set dimensions with stand (H x D): 666 x 319 mm
- Set dimensions with stand in inch (H x D): 26.2 x 12.6 inch
- Product weight: 27 kg
- Product weight (lb): 59.4 lb
- VESA Mount: 200 x 200 mm/200 x 400 mm
- Bezel thickness: 30 mm/1.2"

Operating conditions

- Temperature range (operation): 0 - 40 °C
- Relative humidity: 5 - 90 %
- MTBF: 60,000 hour(s)

Power

- Consumption (On mode): Typ 182W
- Standby power consumption: <1W

Sound

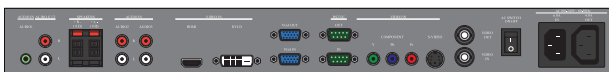
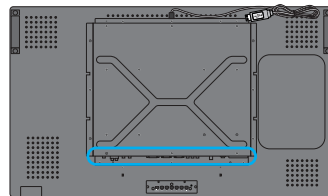
- Built-in speakers: 2 x 12 W (8 Ohm)

Accessories

- Included accessories: Remote Control, Batteries for remote control, AC Power Cord, VGA cable, User manual on CD-ROM, Quick start guide
- Stand: BM05411 + BM00001

Miscellaneous

- Warranty: Europe/North America 3 years
- On-Screen Display Languages: English, French, German, Italian, Polish, Turkish, Russian, Simplified Chinese
- Regulatory approvals: CE, FCC, Class B, CCC, RoHS



Issue date 2017-07-06

Version: 13.3.1

12 NC: 8670 000 76894
EAN: 87 12581 60482 0

© 2017 Koninklijke Philips N.V.
All Rights reserved.

Specifications are subject to change without notice.
Trademarks are the property of Koninklijke Philips N.V.
or their respective owners.

www.philips.com